



US00D839640S

(12) **United States Design Patent** (10) **Patent No.:** **US D839,640 S**
Lawal (45) **Date of Patent:** **** Feb. 5, 2019**

- (54) **MERCHANDISING STAND**
- (71) Applicant: **Mohammed R. Lawal**, Freeport, NY (US)
- (72) Inventor: **Mohammed R. Lawal**, Freeport, NY (US)
- (**) Term: **15 Years**
- (21) Appl. No.: **29/578,264**
- (22) Filed: **Sep. 20, 2016**
- (51) **LOC (11) Cl.** **20-02**
- (52) **U.S. Cl.**
USPC **D6/675.2**; D34/12
- (58) **Field of Classification Search**
USPC D6/315, 317, 319, 329, 673, 675, D6/675.1-675.4, 678.4, 680.2-680.3, 683, D6/702; D7/571-572, 576-577, 600, D7/600.1-600.4, 704; 211/13.2, 34, 211/36-38, 59.2, 74, 77, 150, 187; 108/102, 107, 137; 40/606.03; 312/107, 312/202; D34/12, 14, 17, 19, 20, 21, 25, D34/26, 27; 280/47.35, 47.26, 47.371; D20/6; D15/79; 235/379
CPC A47B 73/00; A47B 73/002; A47B 73/004; A47B 47/00; A47B 47/0058; A47B 47/008; A47B 47/25; A47F 5/00; A47F 5/0056; A47F 5/0062; B62B 1/00; B62B 7/00; B62B 2005/00; B62B 2202/00
See application file for complete search history.

4,108,514 A	8/1978	Zimmerman	
4,138,000 A	2/1979	Hartup	
D280,790 S *	10/1985	Kooy	D34/21
D287,319 S *	12/1986	Ugalde	D34/21
4,925,038 A	5/1990	Gajewski	
4,974,500 A	12/1990	Boyd et al.	
5,203,317 A	4/1993	James	
5,226,266 A	7/1993	Cernuto	
5,250,789 A	10/1993	Johnsen	
5,328,037 A	7/1994	Fujii	
5,412,193 A	5/1995	Swartz et al.	
5,418,354 A	5/1995	Halling et al.	
5,499,707 A	3/1996	Steury	
5,860,362 A	1/1999	Smith	

(Continued)

FOREIGN PATENT DOCUMENTS

EP	0829832	3/1998
WO	WO2011084590	7/2011

Primary Examiner — Robin V Webster
Assistant Examiner — Keith J Wilson
(74) *Attorney, Agent, or Firm* — Goldstein Law Offices, P.C.

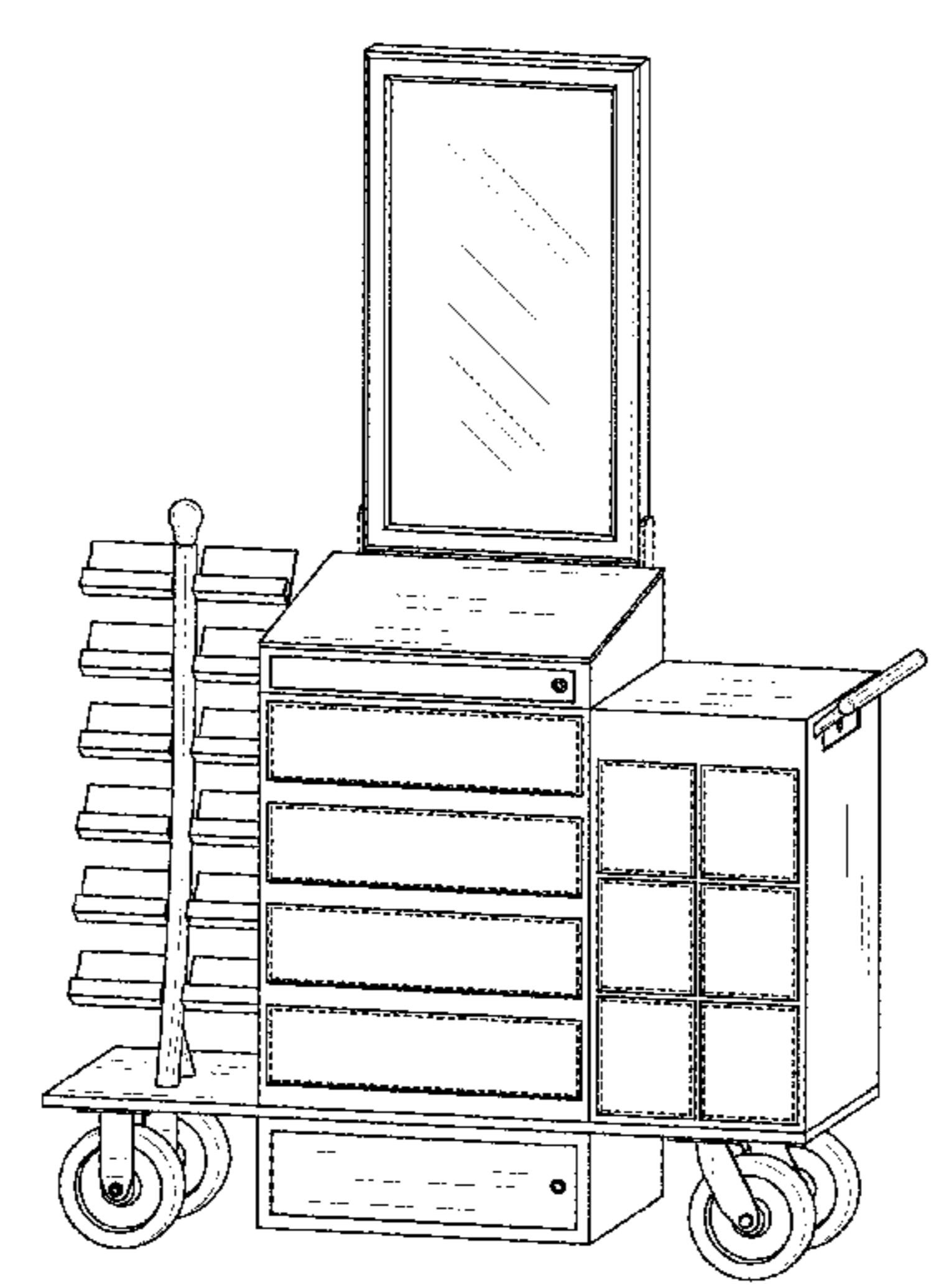
(57) **CLAIM**
The ornamental design for a merchandising stand, as shown and described.

DESCRIPTION

FIG. 1 is a perspective view of the merchandising stand shown with environment.
FIG. 2 is a front elevational view.
FIG. 3 is a rear elevational view thereof.
FIG. 4 is a left side elevational view thereof.
FIG. 5 is a right side elevational view thereof.
FIG. 6 is a top plan view thereof; and,
FIG. 7 is a bottom plan view thereof.
The broken lines showing in FIGS. 1-7 are for the purpose of illustrating the environment of the article only and form no part of the claimed design.

1 Claim, 4 Drawing Sheets

- (56) **References Cited**
U.S. PATENT DOCUMENTS
D173,321 S * 10/1954 Oakes D34/20
3,661,269 A 5/1972 Scherzer
D234,078 S * 1/1975 Emanuele D34/20
D235,295 S * 6/1975 Junion D34/21
3,897,855 A 8/1975 Patterson
4,071,740 A 1/1978 Gogulski



(56)

References Cited

U.S. PATENT DOCUMENTS

D406,431	S *	3/1999	Tisbo	D34/20
6,086,073	A *	7/2000	Tisbo	B25H 1/02
					280/47.26
D454,915	S *	3/2002	Brown	D20/6
6,431,371	B1	8/2002	Tonon		
D474,354	S *	5/2003	Mandell	D6/683
6,735,498	B2	5/2004	Hertz		
D555,870	S *	11/2007	Zorzo	D34/14
D593,138	S *	5/2009	Howell	D15/79
8,108,894	B2	1/2012	Bies		
8,567,799	B2 *	10/2013	White	B62B 3/005
					280/47.371
D697,284	S *	1/2014	Ho	D34/12
D703,904	S *	4/2014	Knoll	D34/20
8,789,899	B2 *	7/2014	Pirro	A47F 5/137
					312/202
8,924,258	B2 *	12/2014	Knoll	G07G 1/0018
					235/379
D723,237	S *	2/2015	Maddux	D34/12
D725,862	S *	3/2015	Tuncel	D34/12
D747,901	S *	1/2016	Kanagy	D6/673
D796,145	S *	8/2017	Ruttan	D34/19
2004/0119257	A1 *	6/2004	Nelson	A47B 63/00
					280/47.35
2009/0200902	A1 *	8/2009	McKay	A47B 31/00
					312/249.12
2009/0295110	A1 *	12/2009	Wilsher	A47B 67/005
					280/47.35
2011/0145073	A1	6/2011	Richman et al.		
2014/0261012	A1	9/2014	Perez, Jr. et al.		
2015/0272088	A1	10/2015	Woodward		

* cited by examiner

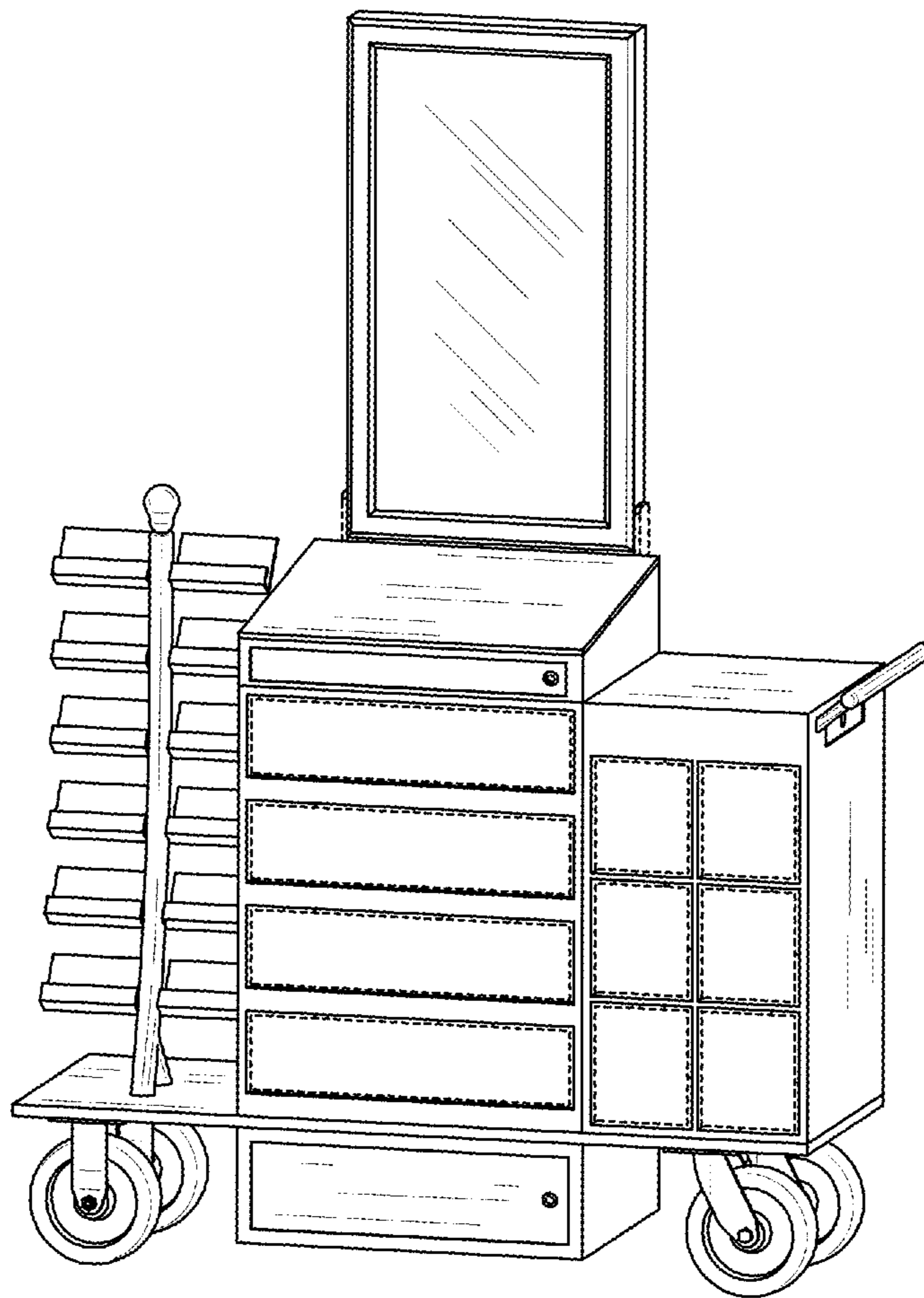


FIG. 1

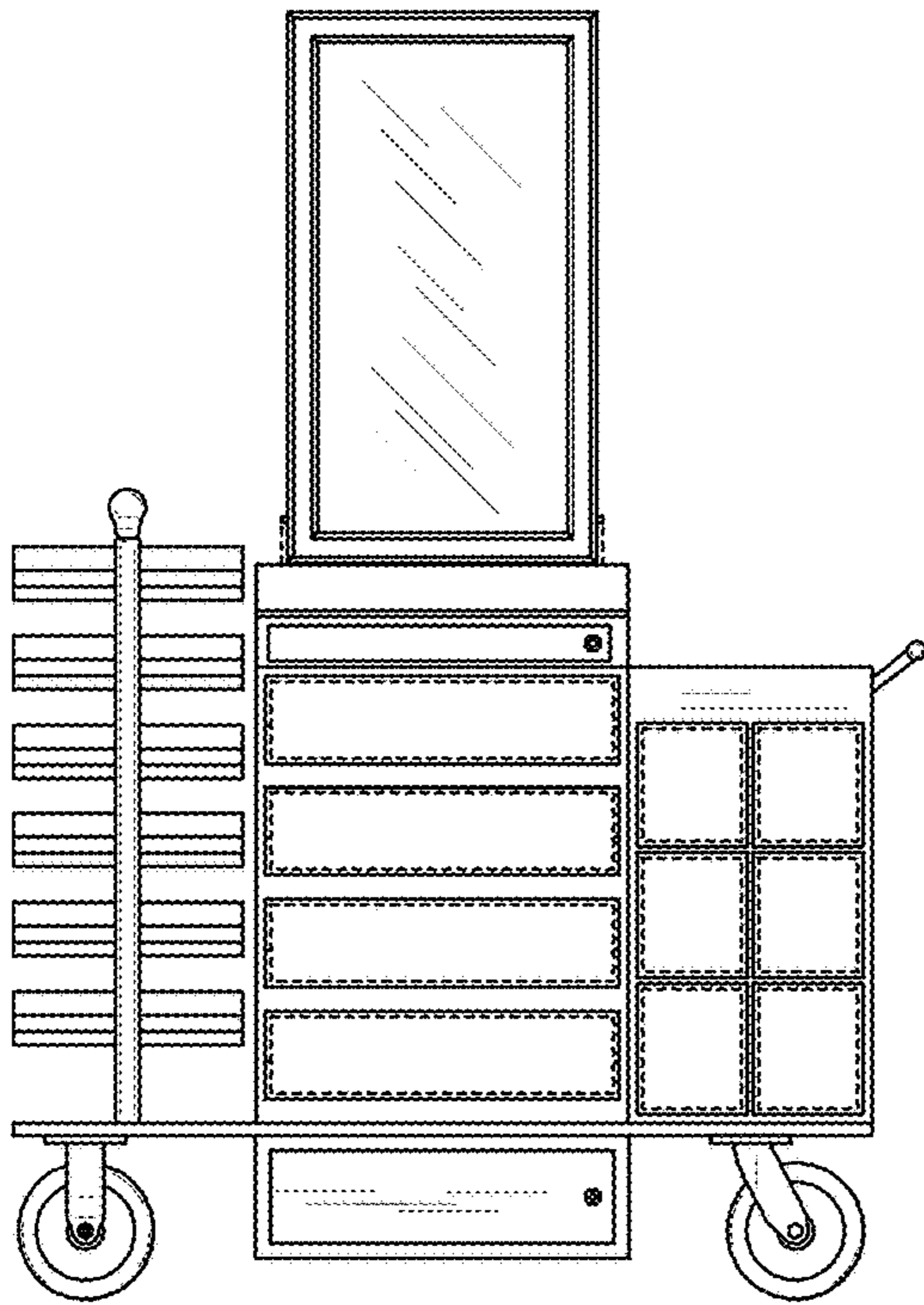


FIG. 2

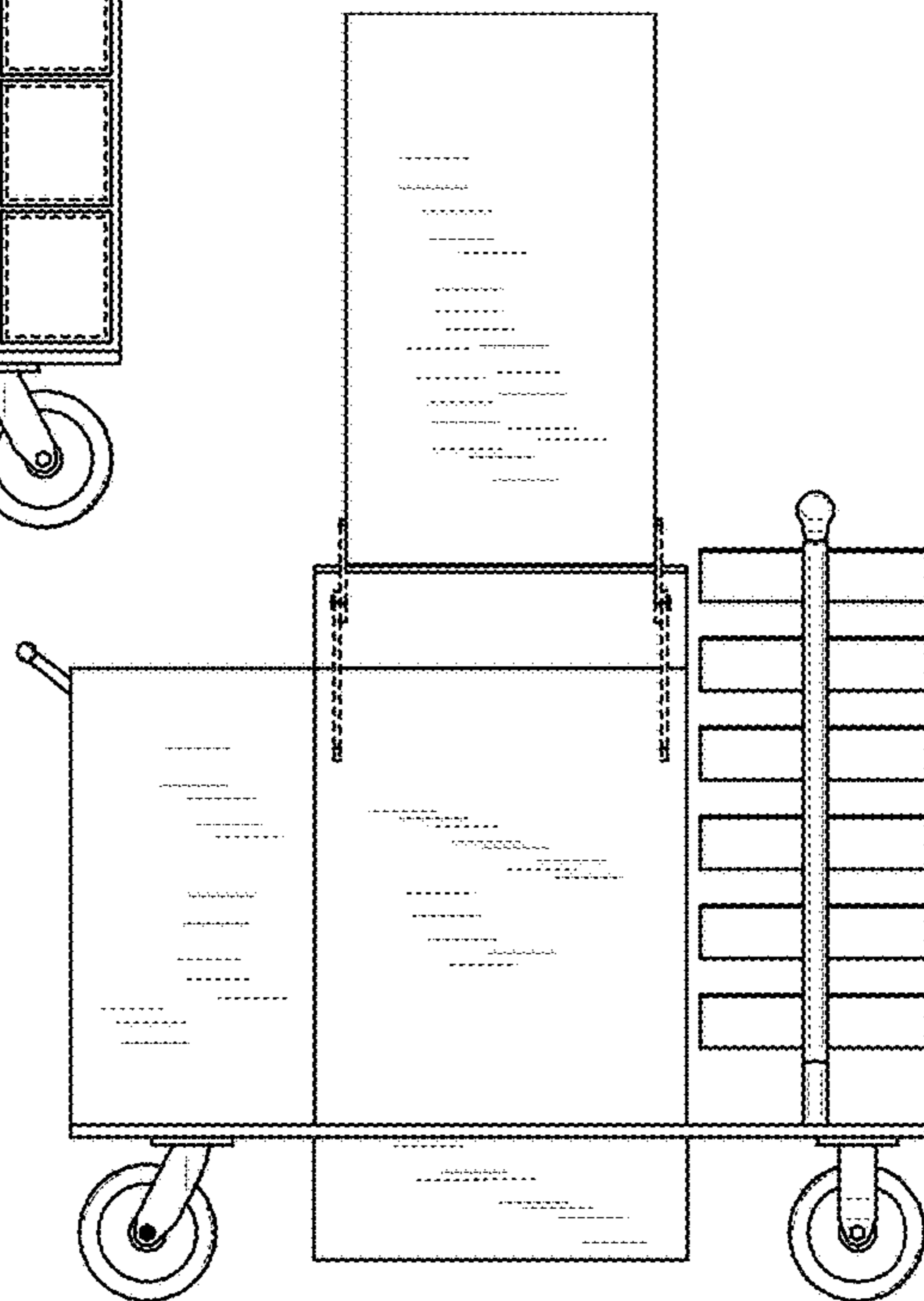


FIG. 3

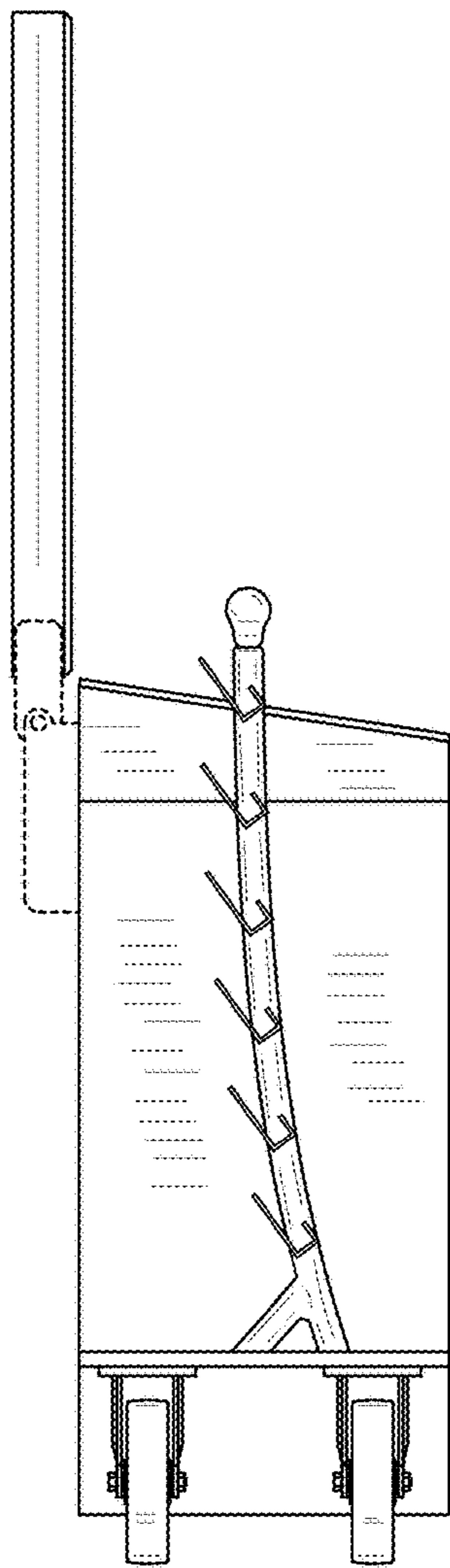


FIG. 4

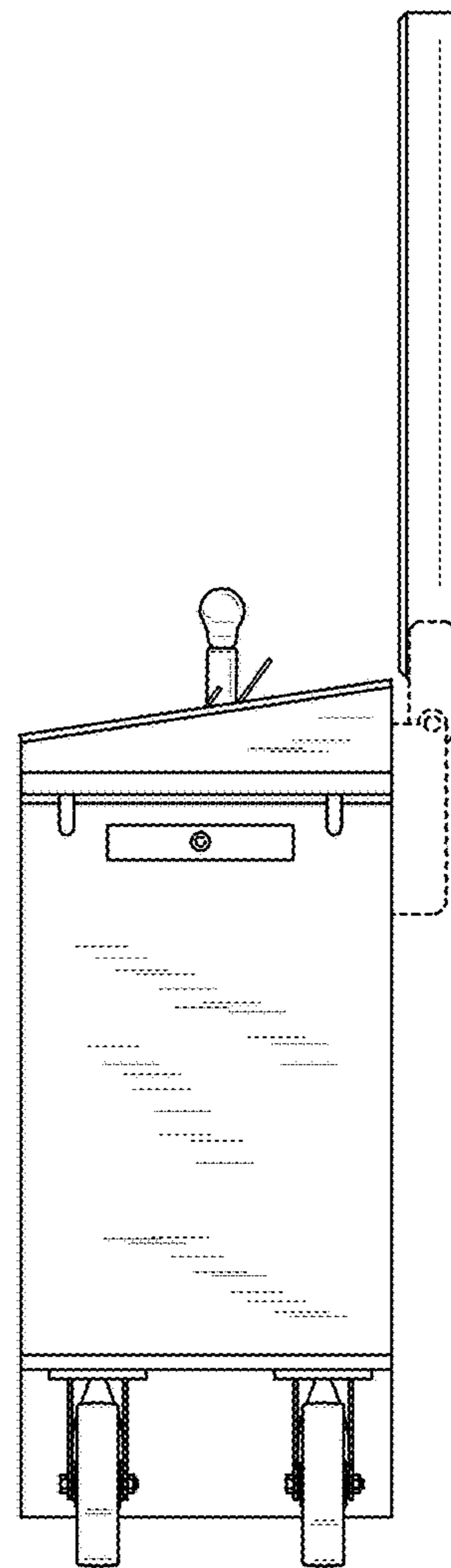


FIG. 5

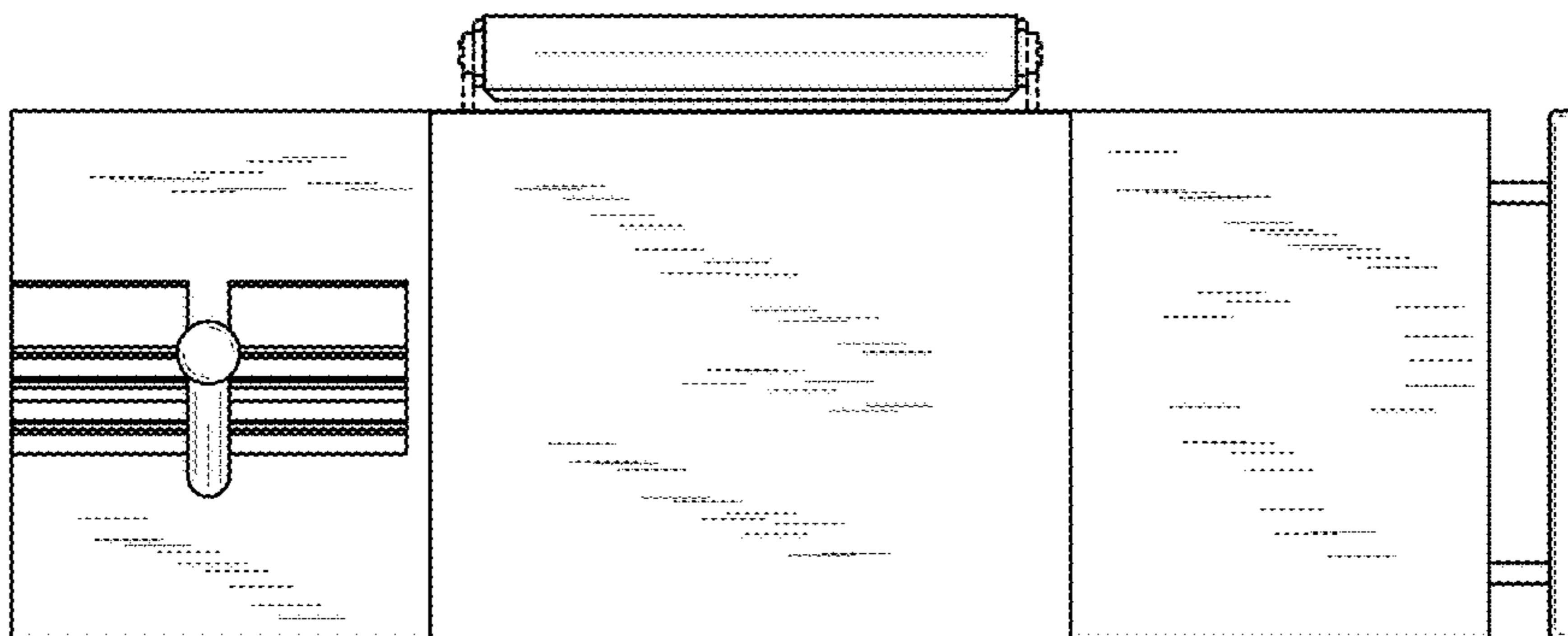


FIG. 6

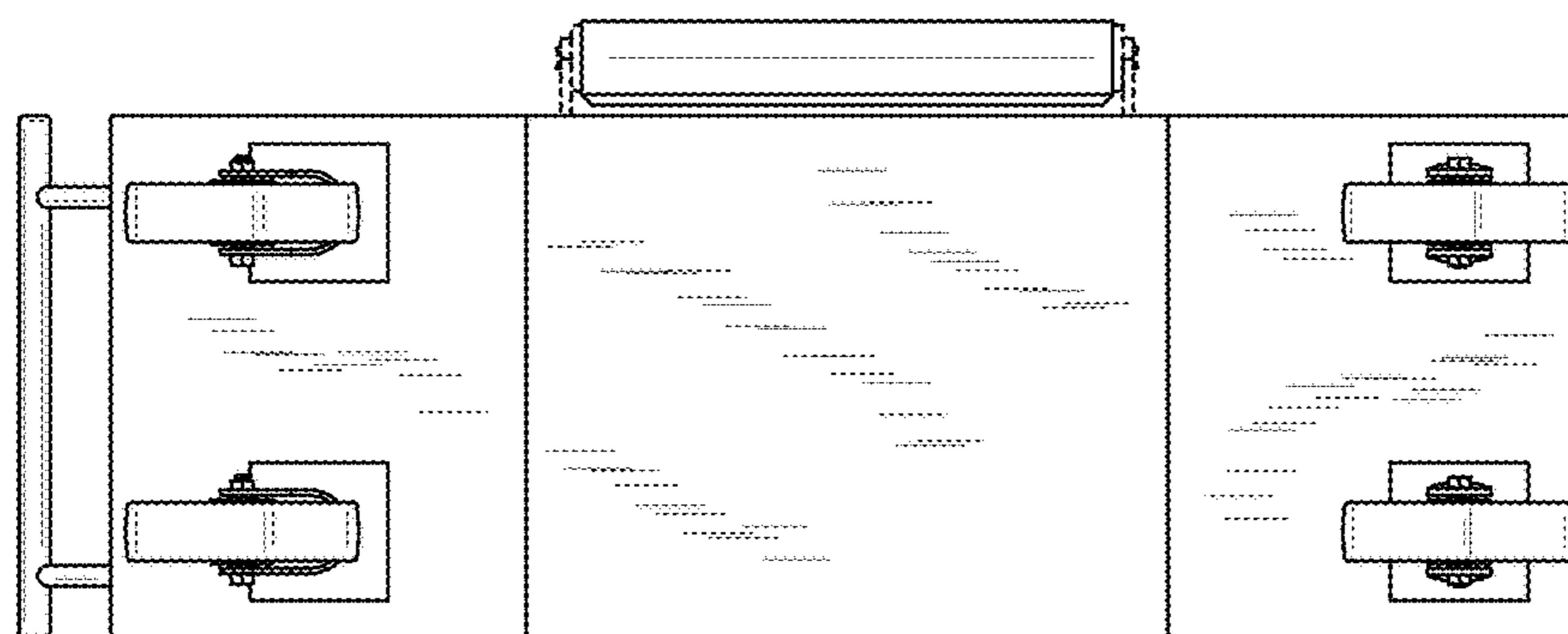


FIG. 7