



US00D839638S

(12) **United States Design Patent**  
**Krusin**

(10) **Patent No.:** **US D839,638 S**

(45) **Date of Patent:** **\*\* Feb. 5, 2019**

- (54) **TABLE**
  - (71) Applicant: **Knoll, Inc.**, East Greenville, PA (US)
  - (72) Inventor: **Marc Krusin**, London (GB)
  - (73) Assignee: **Knoll, Inc.**, East Greenville, PA (US)
  - (\*\*) Term: **15 Years**
  - (21) Appl. No.: **29/566,209**
  - (22) Filed: **May 27, 2016**
  - (51) **LOC (11) Cl.** ..... **06-03**
  - (52) **U.S. Cl.**  
USPC ..... **D6/656.17**
  - (58) **Field of Classification Search**  
USPC ..... D6/641, 642, 656, 656.1, 656.13,  
D6/656.15-656.18, 685, 691, 691.5, 691.6  
CPC ..... A47B 3/0803; A47B 7/00; A47B 9/00;  
A47B 9/12; A47B 9/20; A47B 13/00;  
A47B 13/003; A47B 13/02; A47B 13/08;  
A47B 2013/006; A47B 21/00; A47B  
2200/0001; A47B 2200/0011; A47B  
2200/0035; A47B 2200/0051; A47B  
2200/0056; A47B 2200/0057; A47B  
2200/0061; A47B 2200/0062; A47B  
2200/0066; A47B 2200/008
- See application file for complete search history.

- D776,961 S \* 1/2017 Yamamoto ..... A47B 3/0809  
D6/656.16
- 2015/0118010 A1\* 4/2015 Krusin ..... A47B 7/02  
414/801
- 2015/0320198 A1\* 11/2015 Zebarjad ..... A47B 9/00  
108/147
- 2016/0309888 A1\* 10/2016 Krusin ..... A47B 3/0809
- 2017/0135466 A1\* 5/2017 Randlov ..... A47B 9/20
- 2017/0224101 A1\* 8/2017 Bruder ..... A47B 9/04
- 2018/0092457 A1\* 4/2018 Lai ..... A47B 9/10

\* cited by examiner

*Primary Examiner* — Mary Ann Calabrese

(74) *Attorney, Agent, or Firm* — Buchanan Ingersoll & Rooney PC

(57) **CLAIM**

The ornamental design for a table, as shown and described.

**DESCRIPTION**

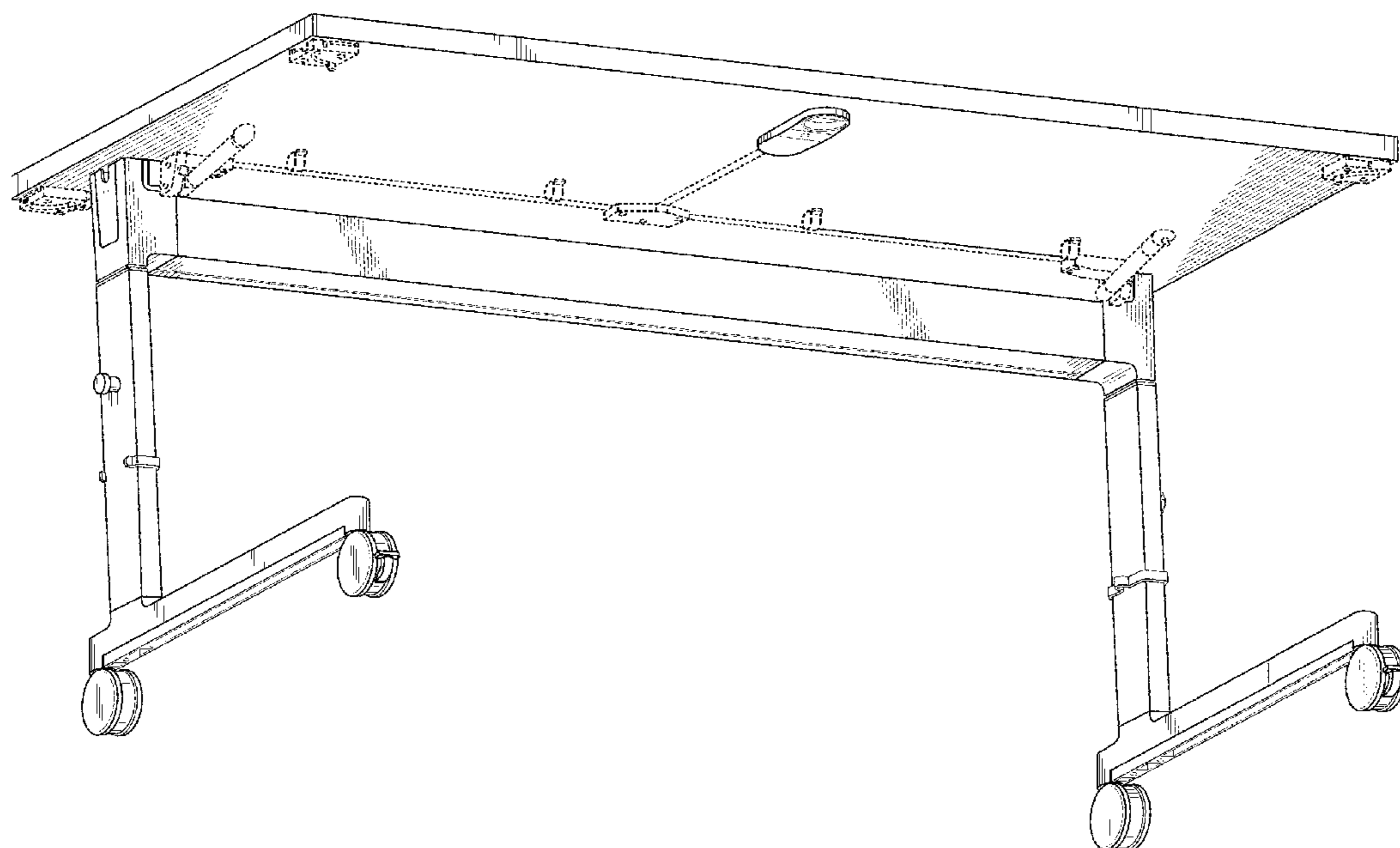
FIG. 1 is a perspective view of a table showing my new design;  
 FIG. 2 is a front elevational view thereof;  
 FIG. 3 is a rear elevational view thereof;  
 FIG. 4 is a top plan view thereof;  
 FIG. 5 is a bottom plan view thereof;  
 FIG. 6 is a left side elevational view thereof; and,  
 FIG. 7 is a right side elevational view thereof.  
 The broken lines shown in the drawing Figures form no part of the claimed design.

**1 Claim, 7 Drawing Sheets**

(56) **References Cited**

**U.S. PATENT DOCUMENTS**

- D311,833 S \* 11/1990 Newhouse ..... D6/656.16
- 9,038,549 B1 \* 5/2015 Zebarjad ..... A47B 9/02  
108/147



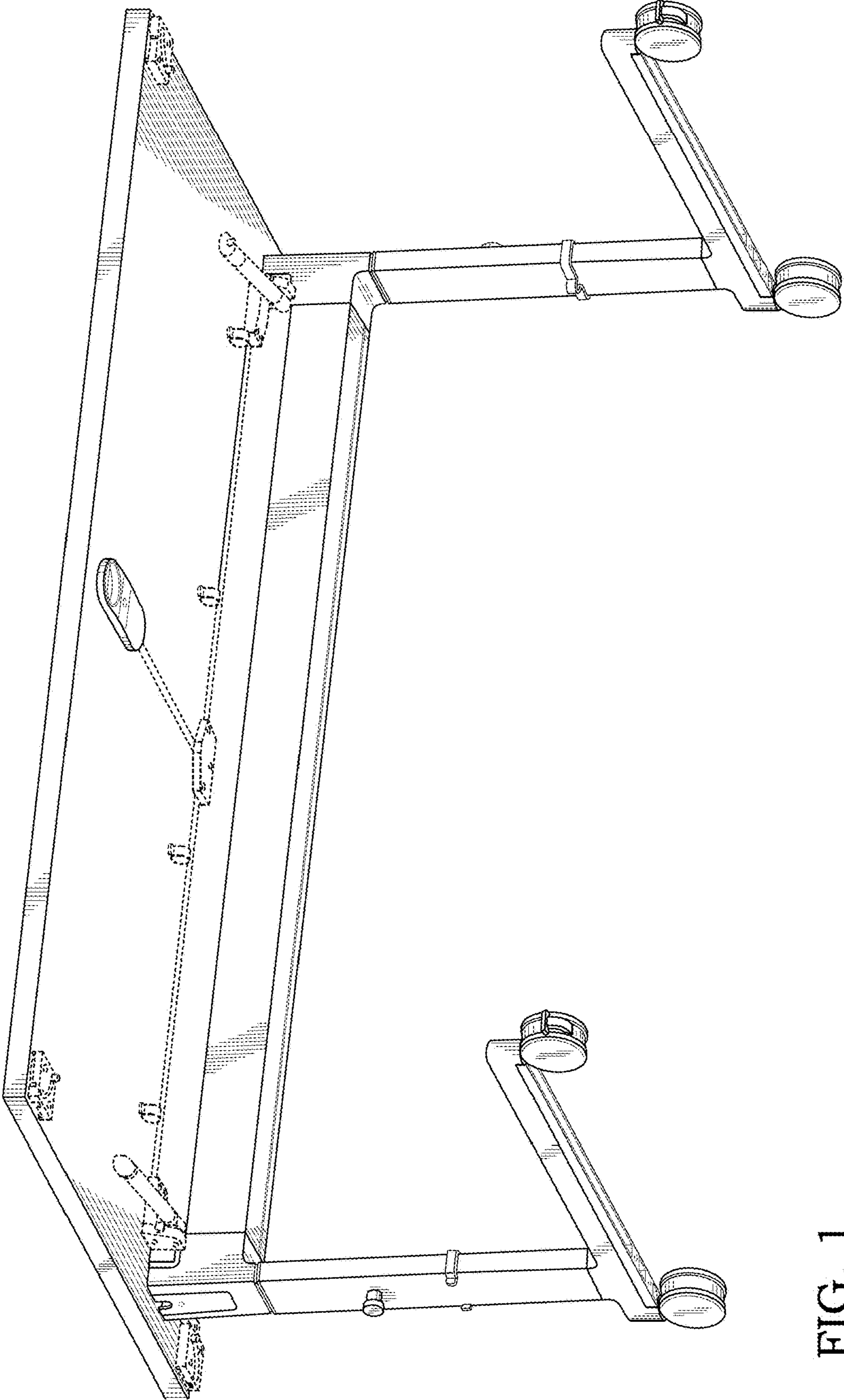


FIG. 1

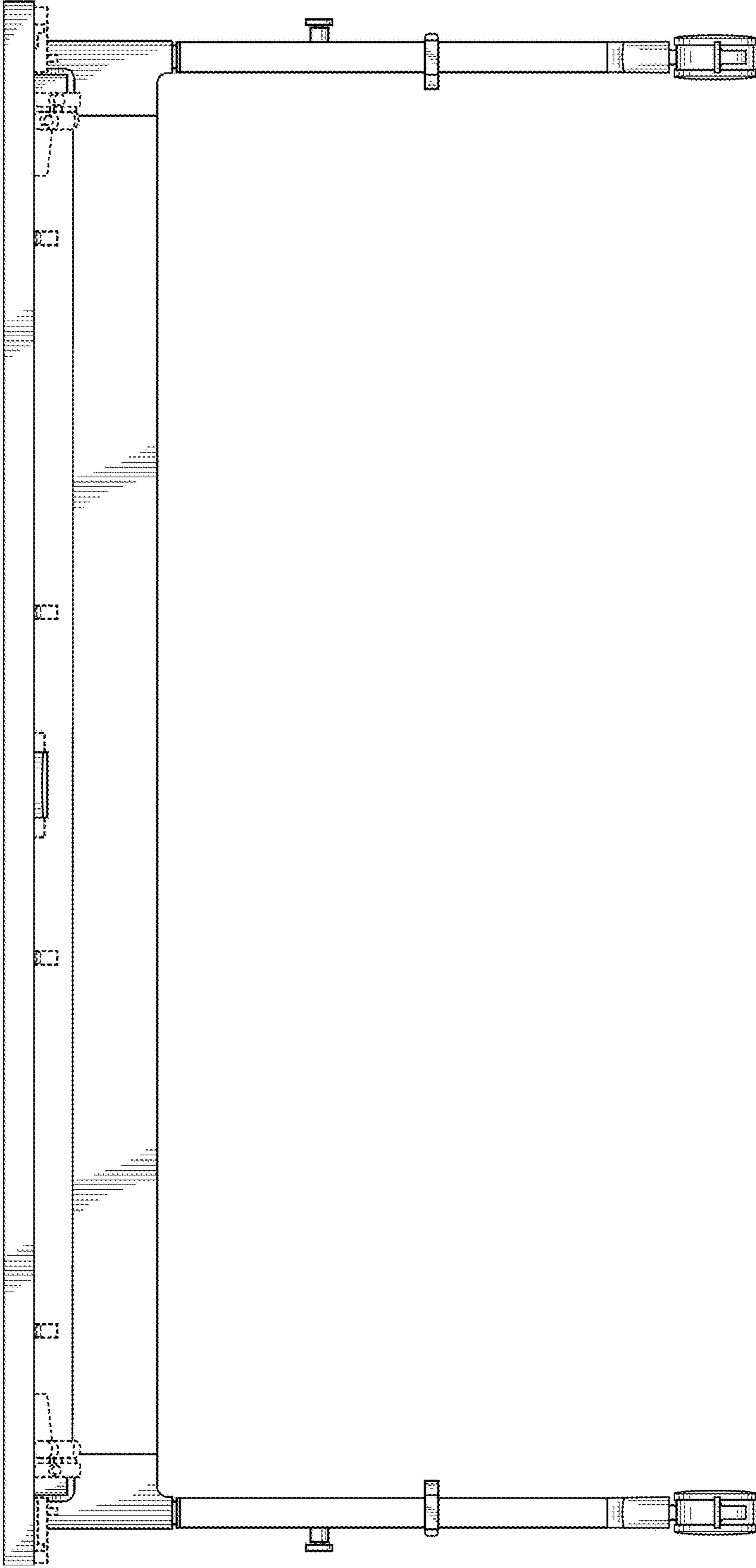


FIG. 2

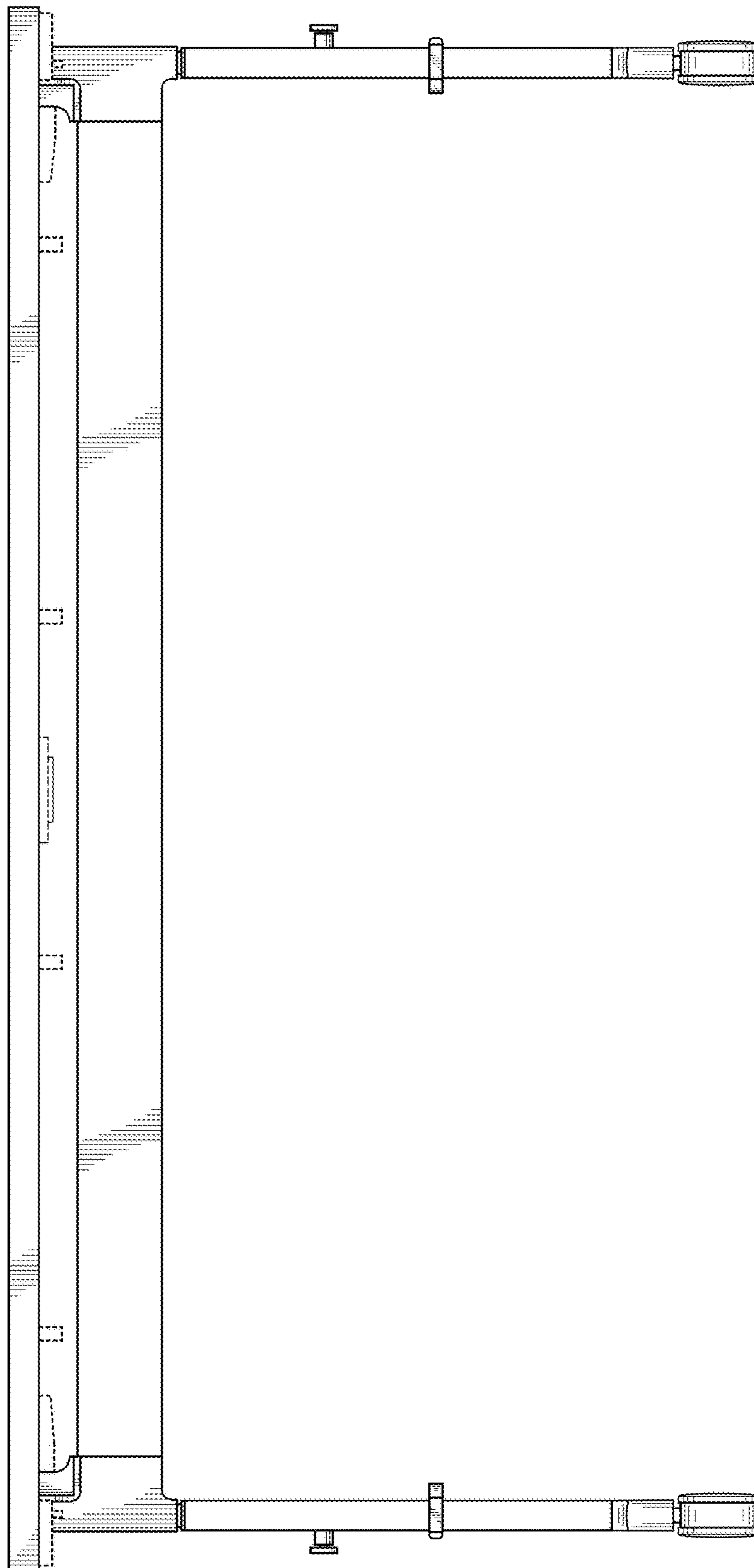


FIG. 3



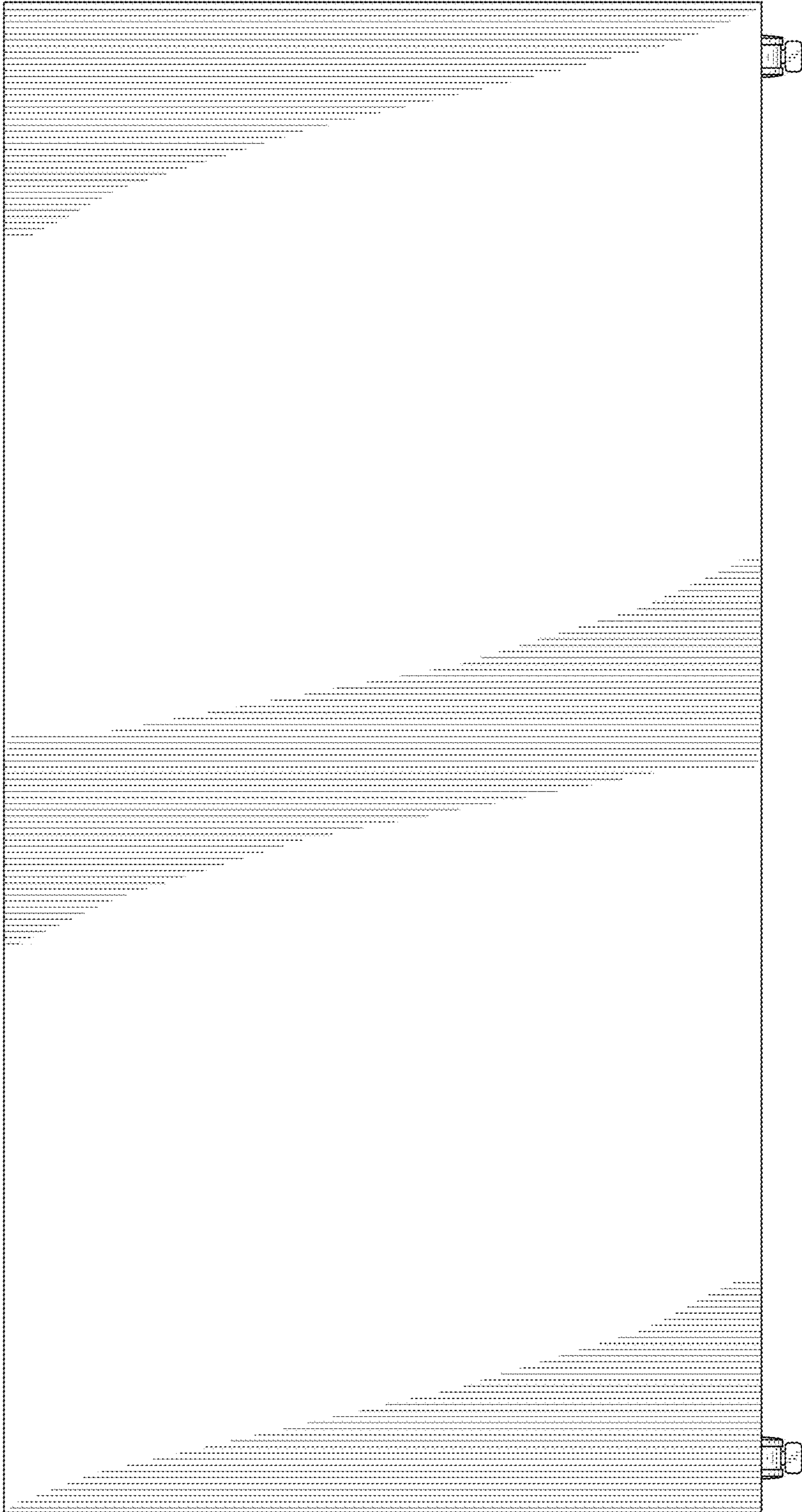


FIG. 4

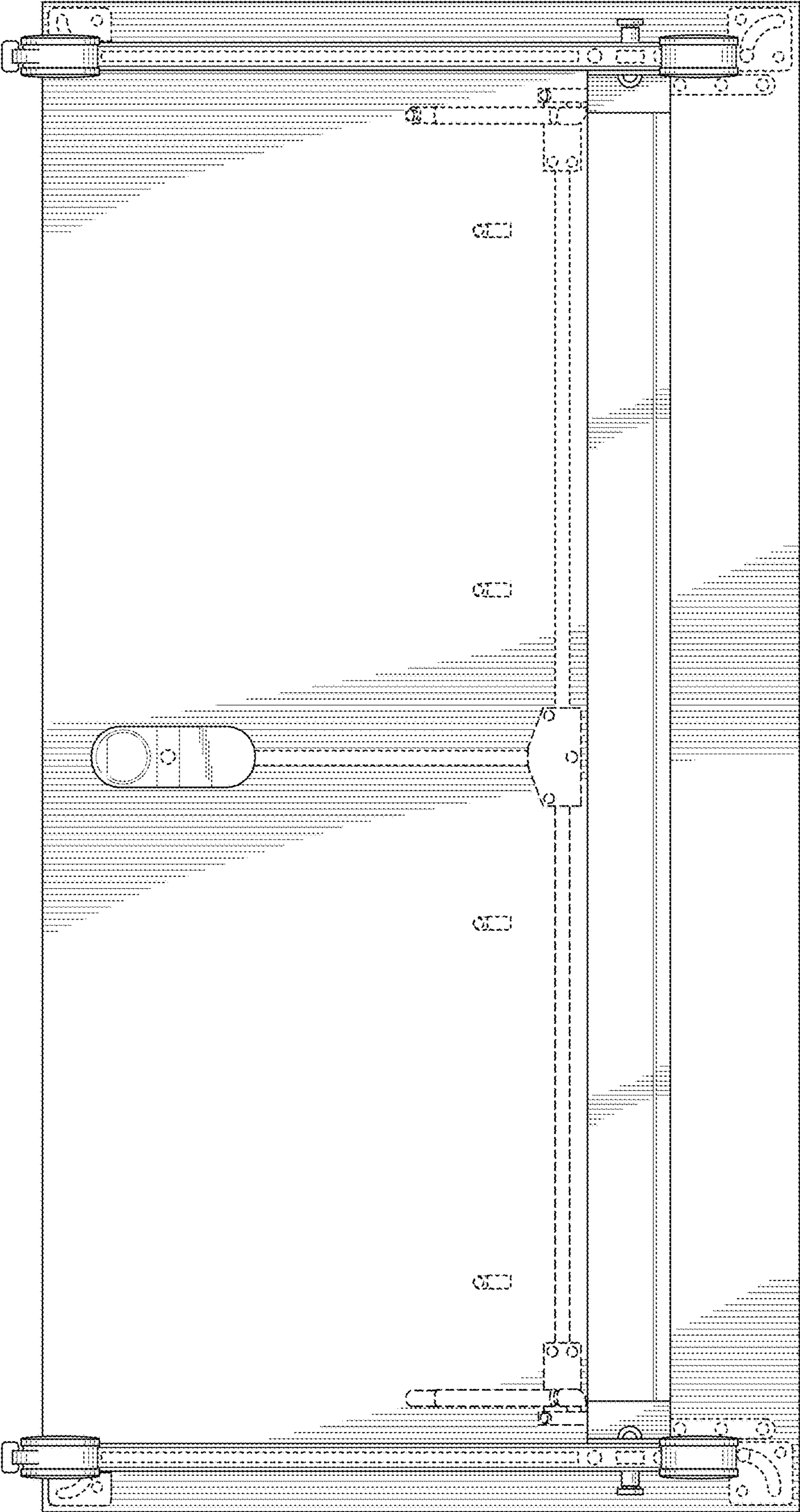


FIG. 5

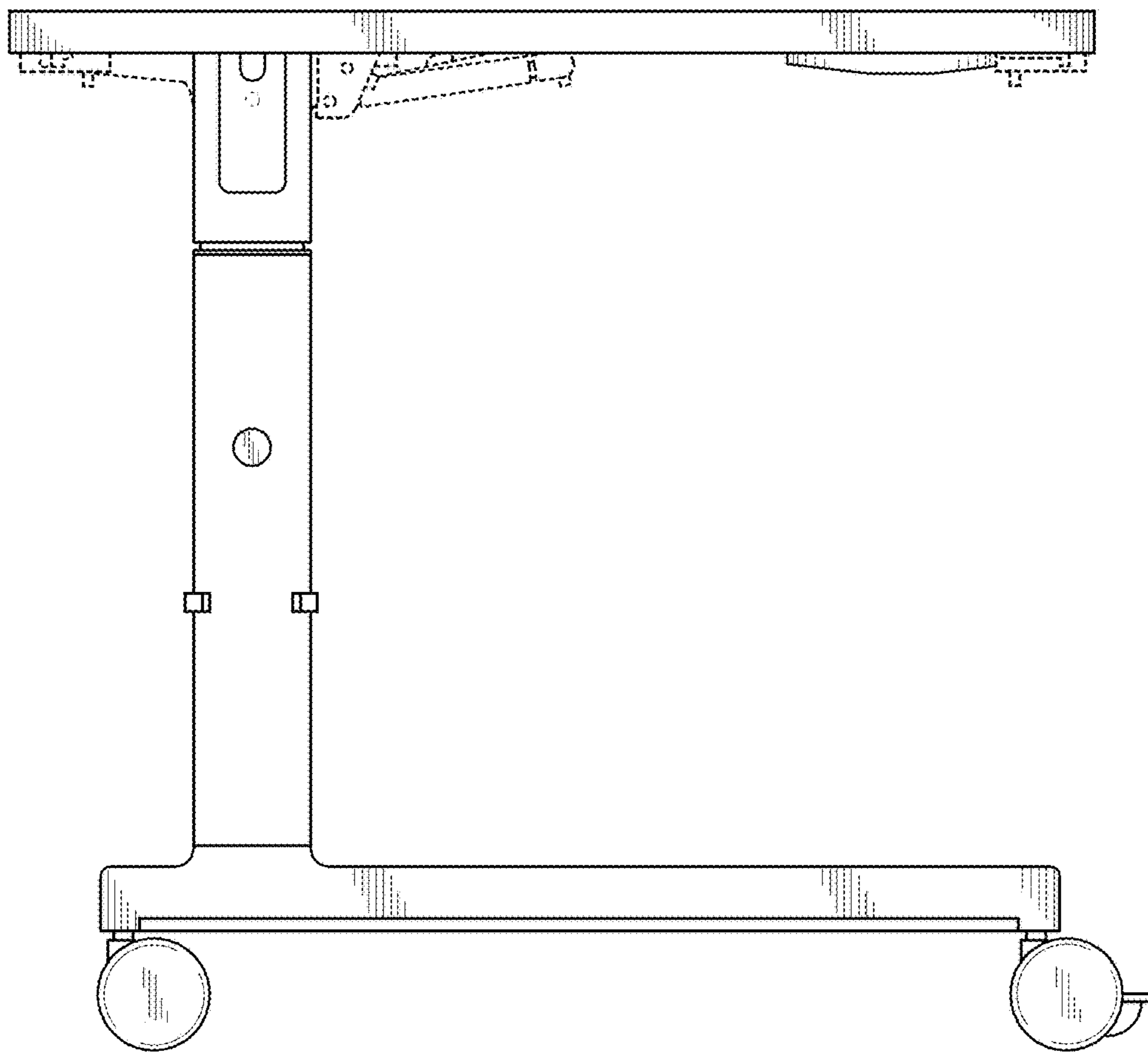


FIG. 6

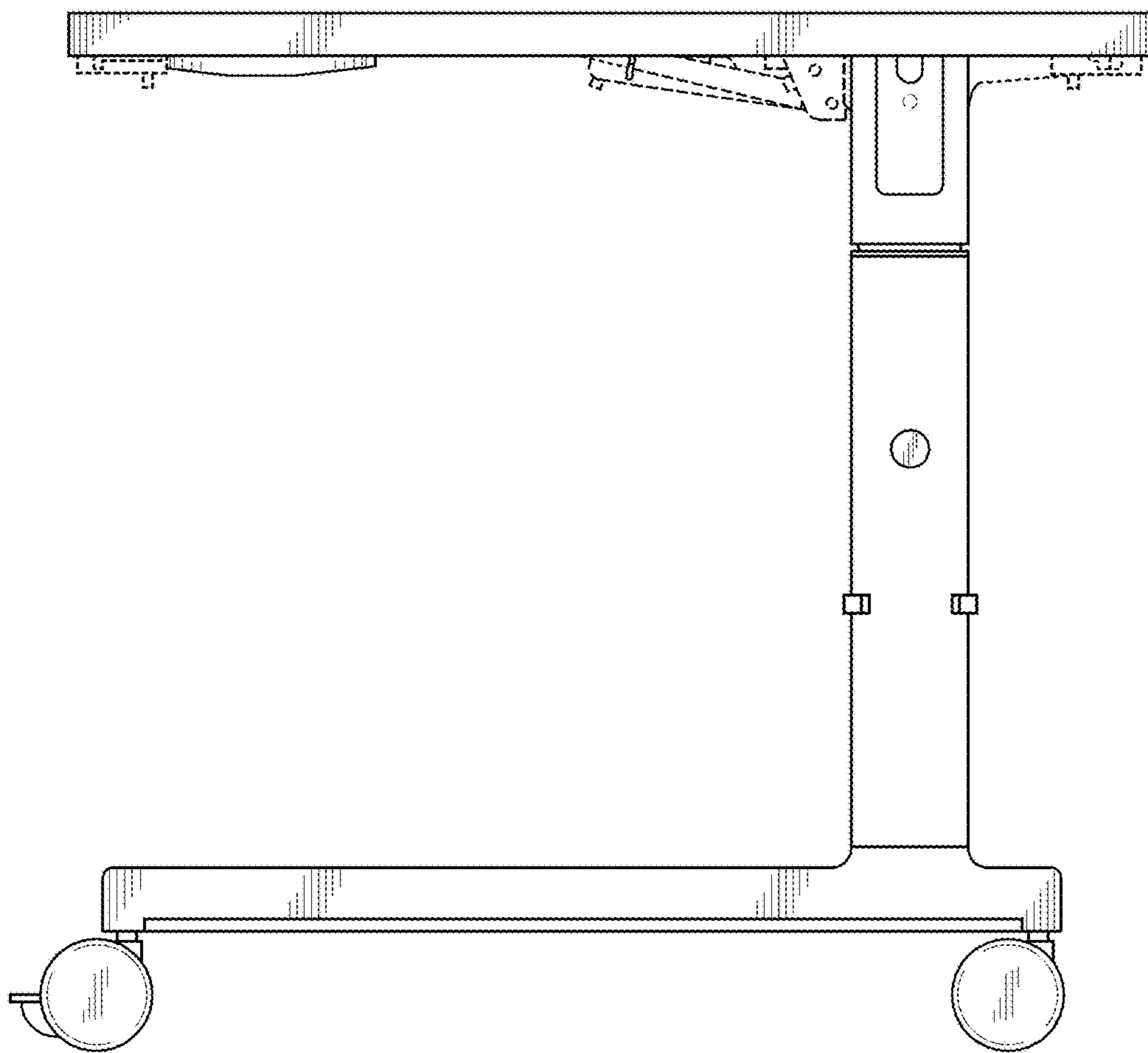


FIG. 7