



US00D839637S

(12) **United States Design Patent** (10) **Patent No.:** **US D839,637 S**
Fernandez (45) **Date of Patent:** **** Feb. 5, 2019**

(54) **CHAIR CUSHION**

(71) Applicant: **Jose Ismael Fernandez**, Sylmar, CA (US)

(72) Inventor: **Jose Ismael Fernandez**, Sylmar, CA (US)

(**) Term: **15 Years**

(21) Appl. No.: **29/629,111**

(22) Filed: **Dec. 11, 2017**

(51) **LOC (11) Cl.** **06-09**

(52) **U.S. Cl.**
USPC **D6/601**

(58) **Field of Classification Search**
USPC D6/595, 596, 601, 716.5; 5/632, 633, 5/636, 648, 652, 655.9, 656, 948-953
CPC A47G 9/00; A47G 9/10; A47G 9/1045; A47G 9/1054; A47G 9/1063; A47G 9/1072; A47G 9/1081; A47G 9/109; A47G 1009/1027; A47G 2009/1018; A47C 27/001; A47C 7/021; A47C 7/022; A47C 7/18
See application file for complete search history.

(56) **References Cited**

U.S. PATENT DOCUMENTS

3,515,430	A	6/1970	Nelson	
4,718,724	A	1/1988	Quinton	
5,425,567	A	6/1995	Albecker, III	
D395,568	S *	6/1998	Davis	D6/601
D416,744	S *	11/1999	Lawrence	D6/601
6,382,729	B1	5/2002	Wu	
7,000,276	B2	2/2006	Chaffee	
D595,529	S *	7/2009	Deetsch	D6/601
D606,354	S *	12/2009	Abolkheir	D6/601
D722,449	S *	2/2015	Krishtul	D6/601
9,295,337	B1	3/2016	Bavli	
D755,543	S *	5/2016	Upadhyay	D6/601

D758,100	S *	6/2016	Pham	D6/601
9,622,582	B2	4/2017	Lougee	
9,681,764	B1	6/2017	Boynton	
D793,770	S *	8/2017	Krishtul	D6/601

(Continued)

FOREIGN PATENT DOCUMENTS

EP 2168460 A1 3/2010

OTHER PUBLICATIONS

EBay—"Folding Butterfly Chair Seat Wood Frame Home Office Furniture".
(Continued)

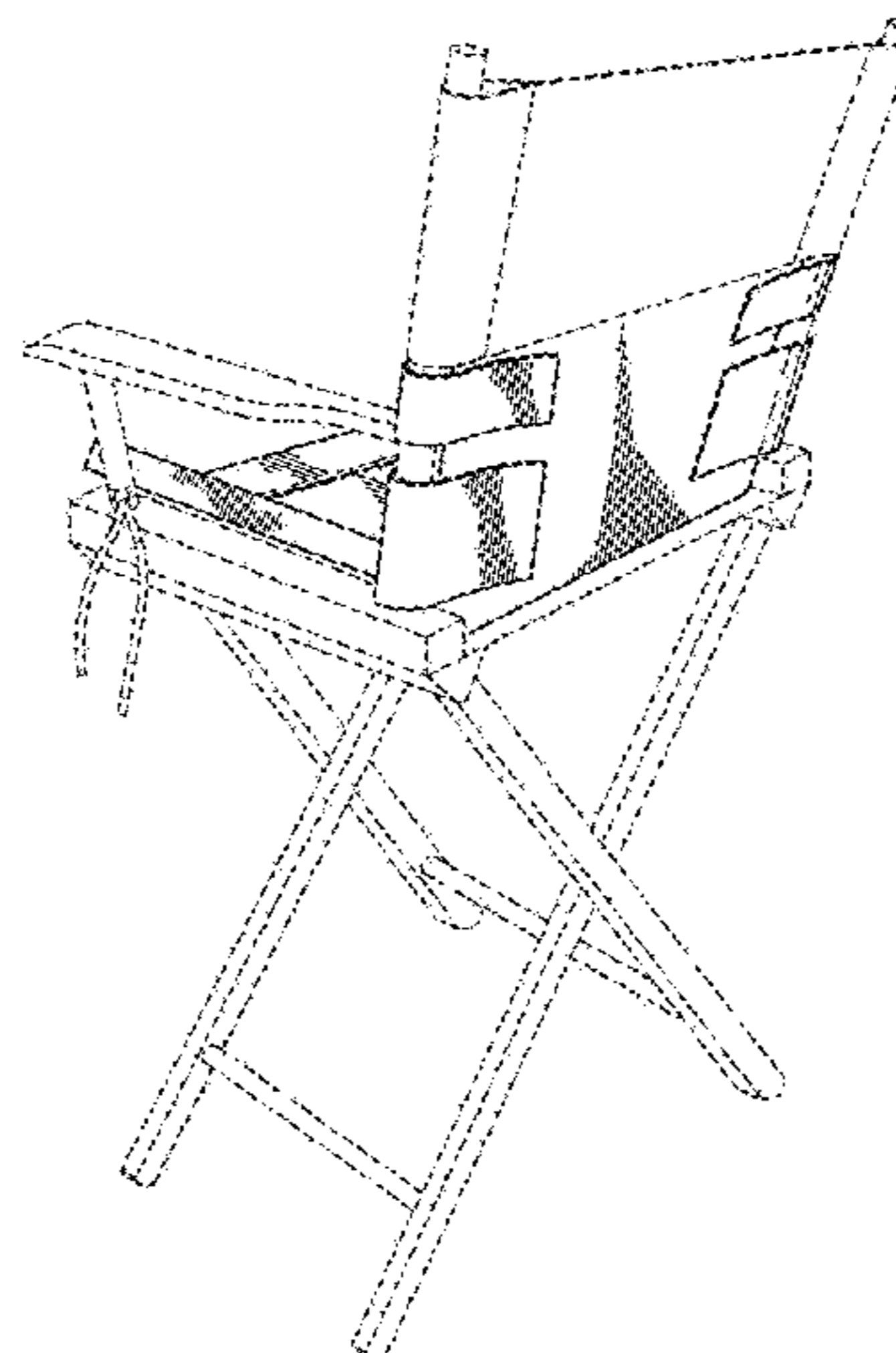
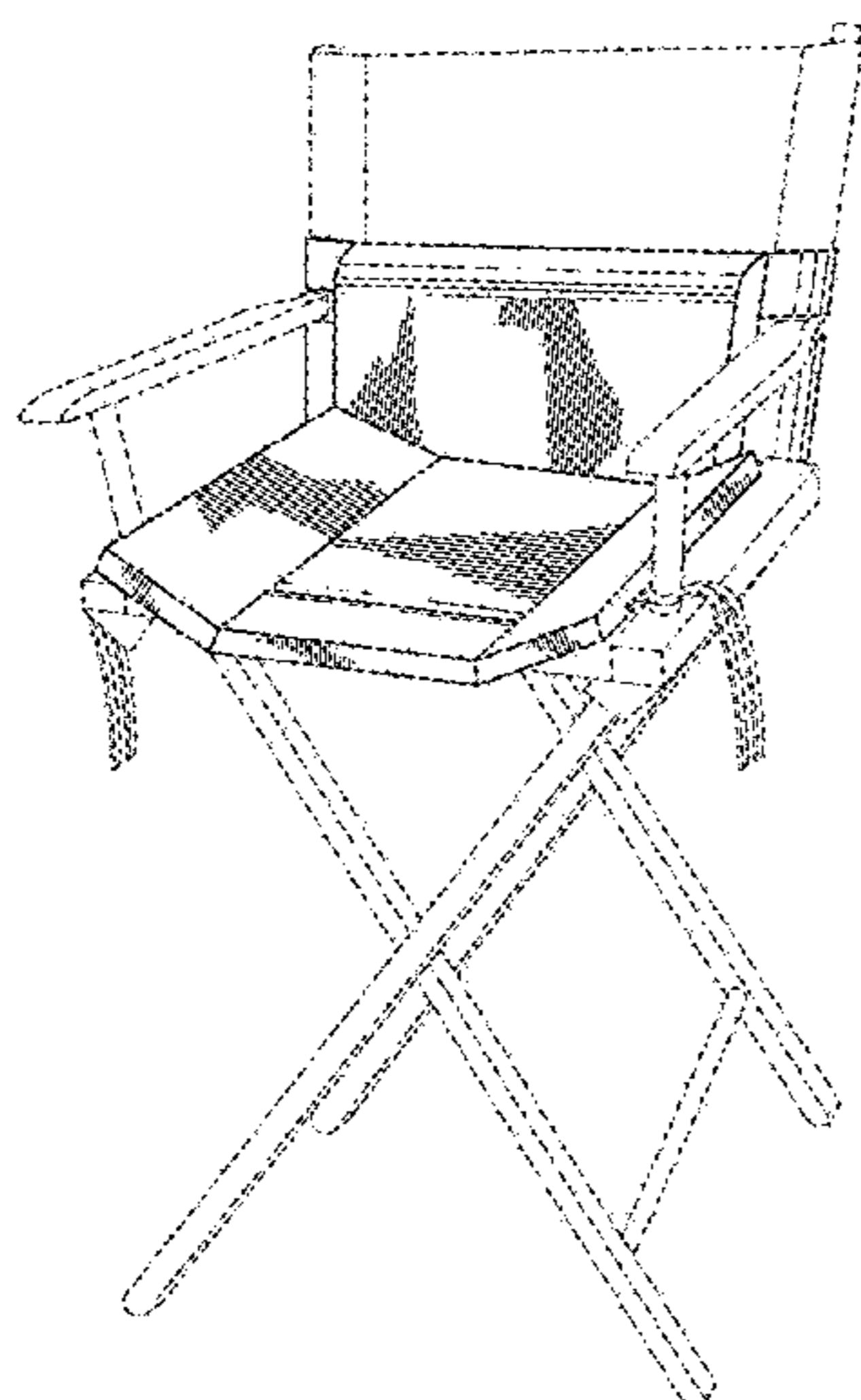
Primary Examiner — R. Johnson
(74) *Attorney, Agent, or Firm* — Matthew J. Spark; Stefan J. Kirchanski; Zuber Lawler & Del Duca LLP

(57) **CLAIM**
The ornamental design for a chair cushion, as shown and described.

DESCRIPTION

FIG. 1 is a top, left, front perspective view of a chair cushion showing my new design as used on a folding chair;
FIG. 2 is a top, left, rear perspective view thereof;
FIG. 3 is a front view thereof, shown unattached from the chair;
FIG. 4 is a rear view thereof;
FIG. 5 is a left side view thereof;
FIG. 6 is a right side view thereof;
FIG. 7 is a top plan view thereof;
FIG. 8 is a bottom plan view thereof;
FIG. 9 is a top plan view thereof, the chair cushion shown laid flat; and,
FIG. 10 is a bottom plan view thereof.
The broken lines depict a folding chair and portions of the chair cushion, which form no part of the claimed design.

1 Claim, 7 Drawing Sheets



(56)

References Cited

U.S. PATENT DOCUMENTS

D815,859 S * 4/2018 Jewell D6/601
D821,780 S * 7/2018 Strandberg D6/596
2007/0012734 A1 1/2007 Lee
2007/0271704 A1 11/2007 Breeland
2008/0252120 A1 10/2008 Park
2010/0001565 A1 1/2010 Gray
2013/0328362 A1 12/2013 Miller
2015/0108802 A1* 4/2015 Krishtul A47C 7/022
297/283.1
2017/0156500 A1 6/2017 Lv
2017/0196361 A1 7/2017 Smith

OTHER PUBLICATIONS

Target—"Wood Butterfly Chair Black—Room Essentials".
Everywhere Chair—"Easy on Velcro Attached Cupholder".
Amazon—"Memory Foam Seat Cushion for Lower Back, Tailbone,
Sciatica Coccyx Hemorrhoid Pain Relief and Hip shaping".

* cited by examiner

FIG. 1

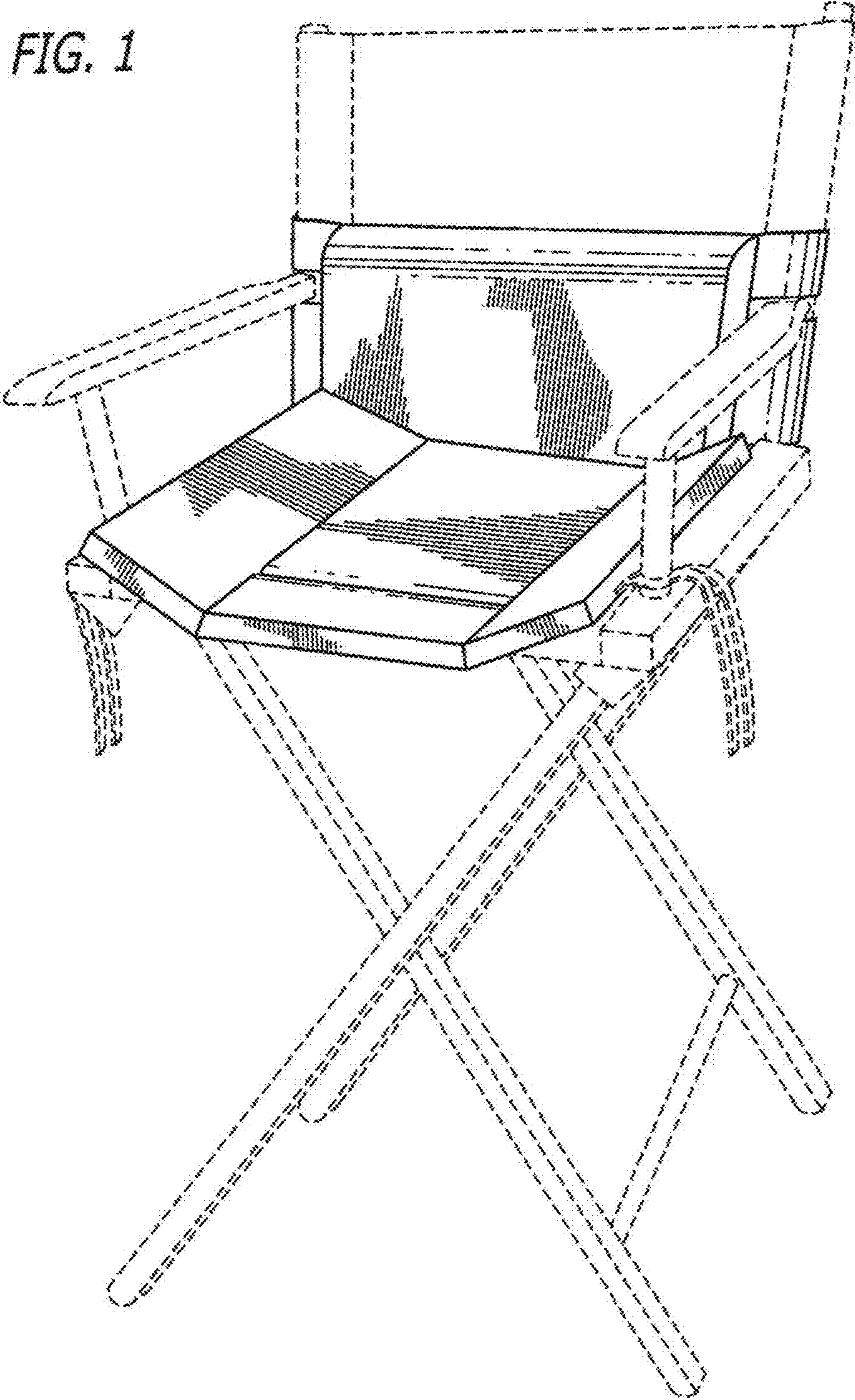


FIG. 2

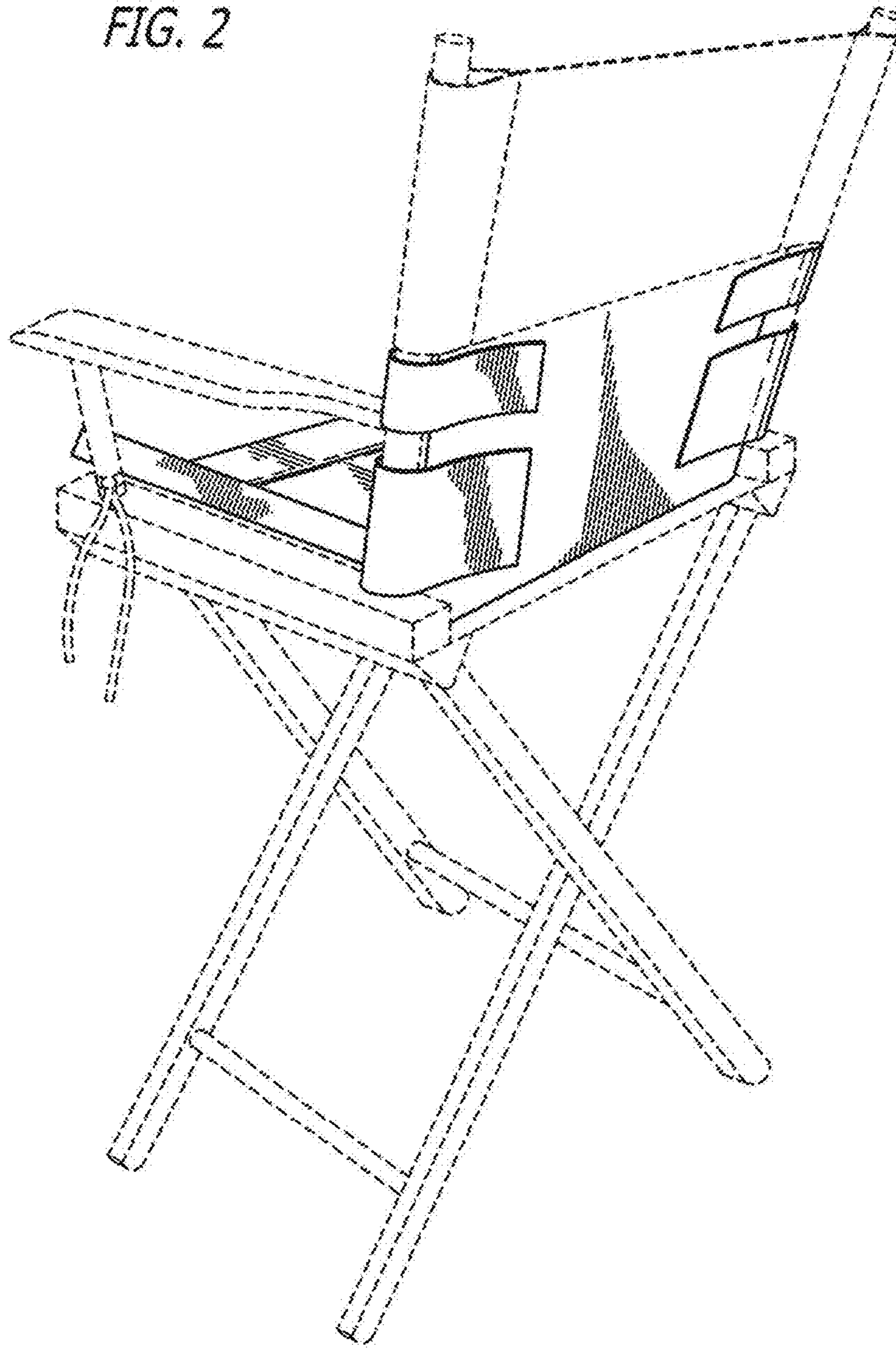


FIG. 3

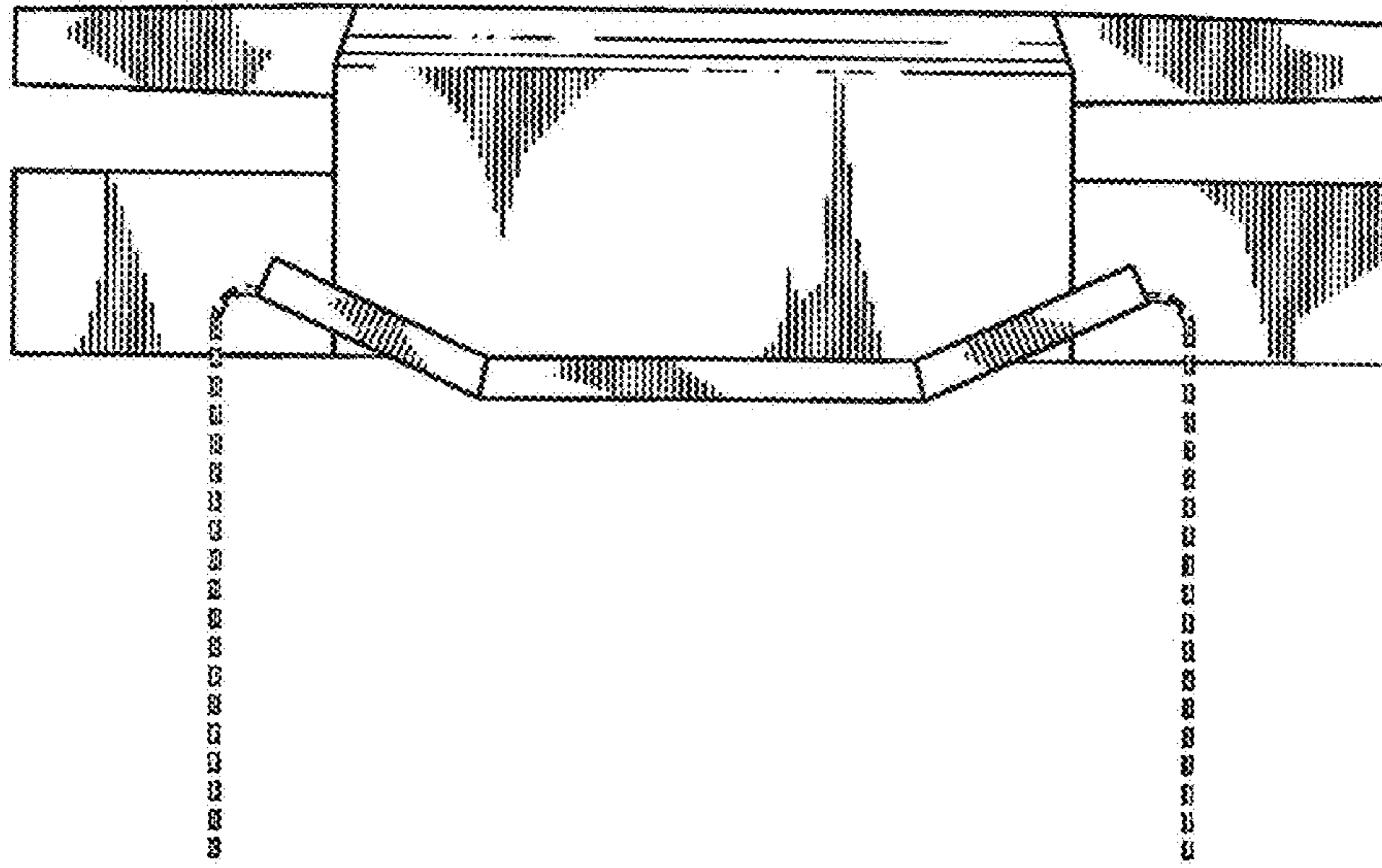


FIG. 4

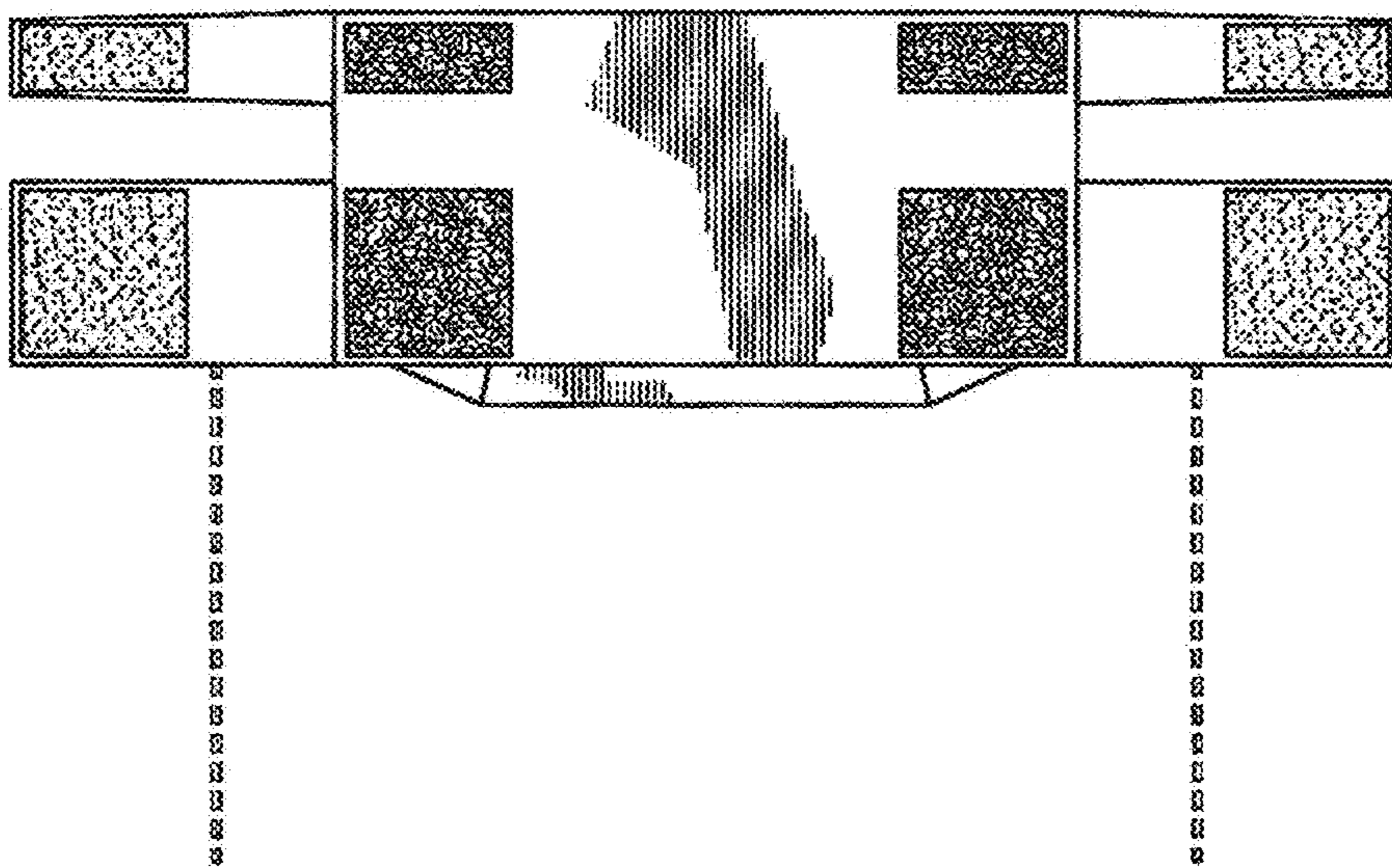


FIG. 5

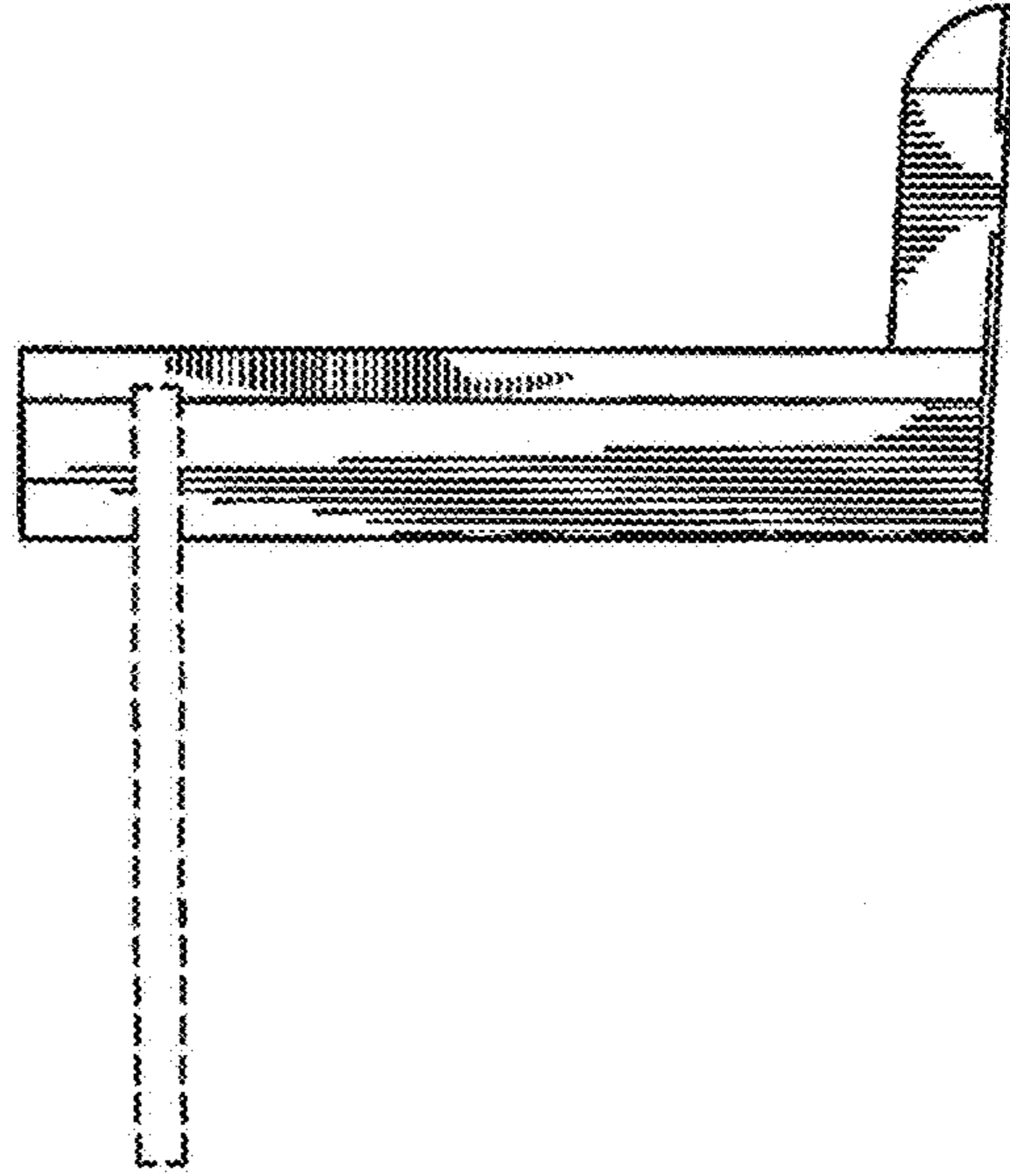
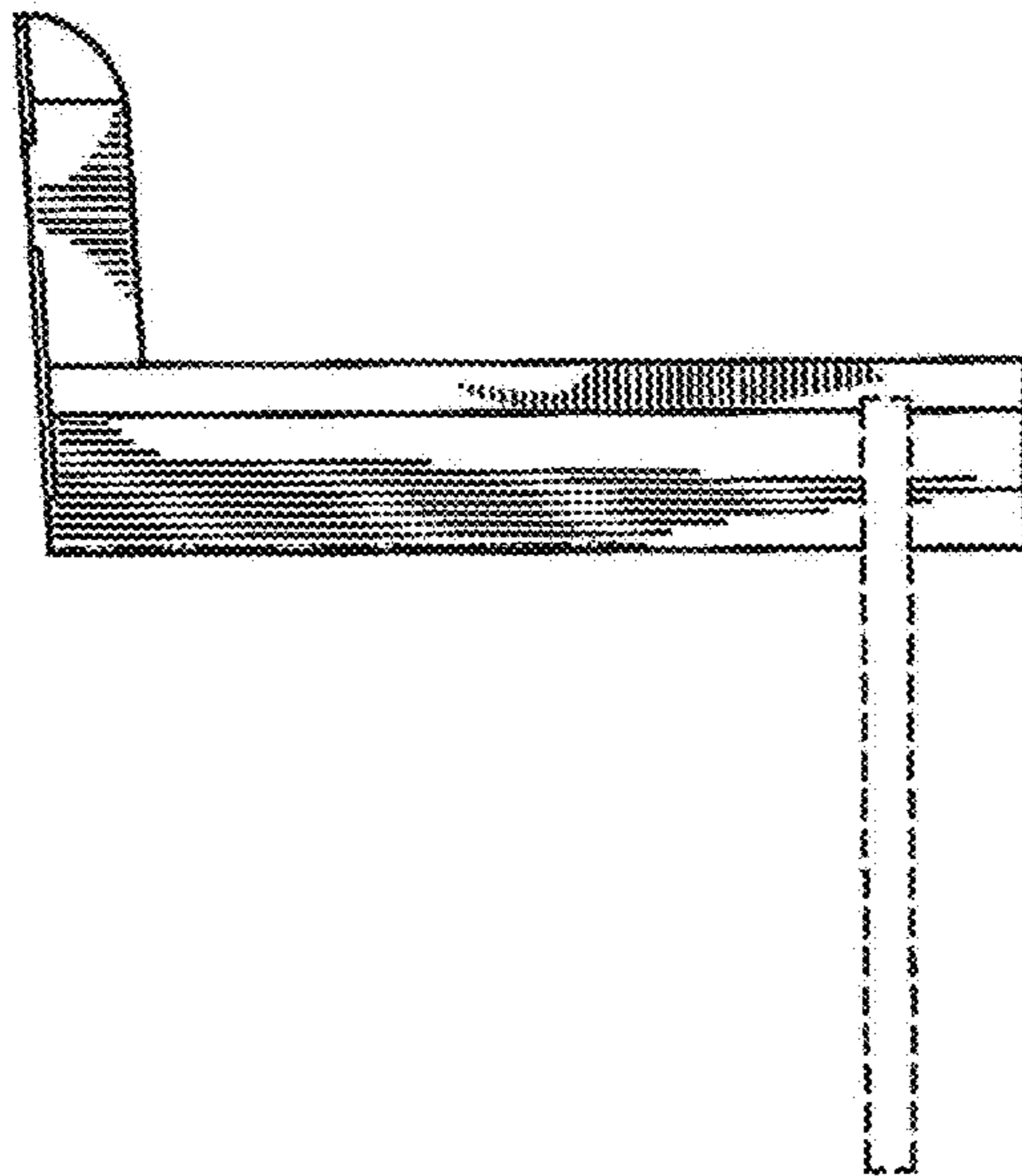


FIG. 6



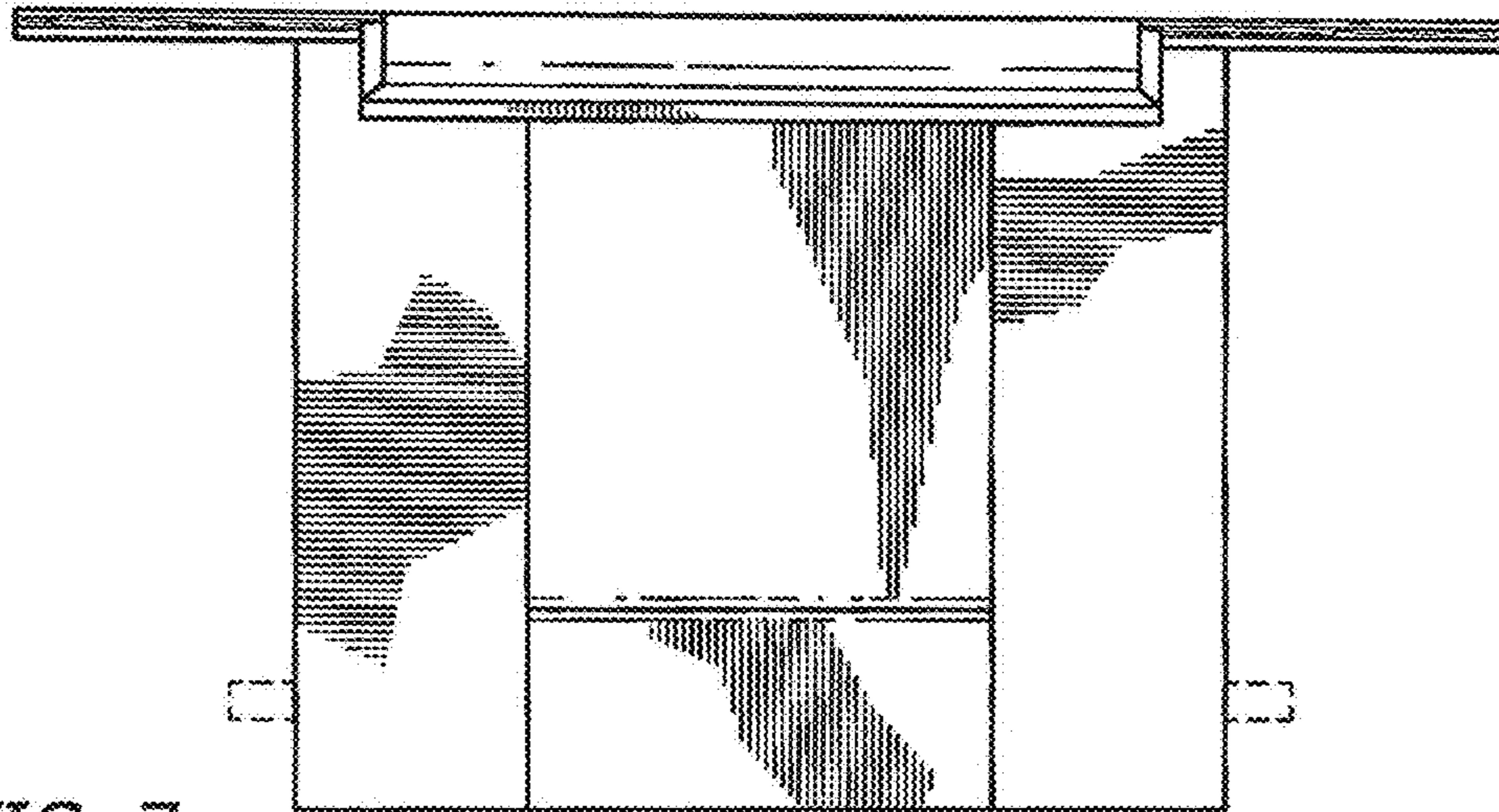


FIG. 7

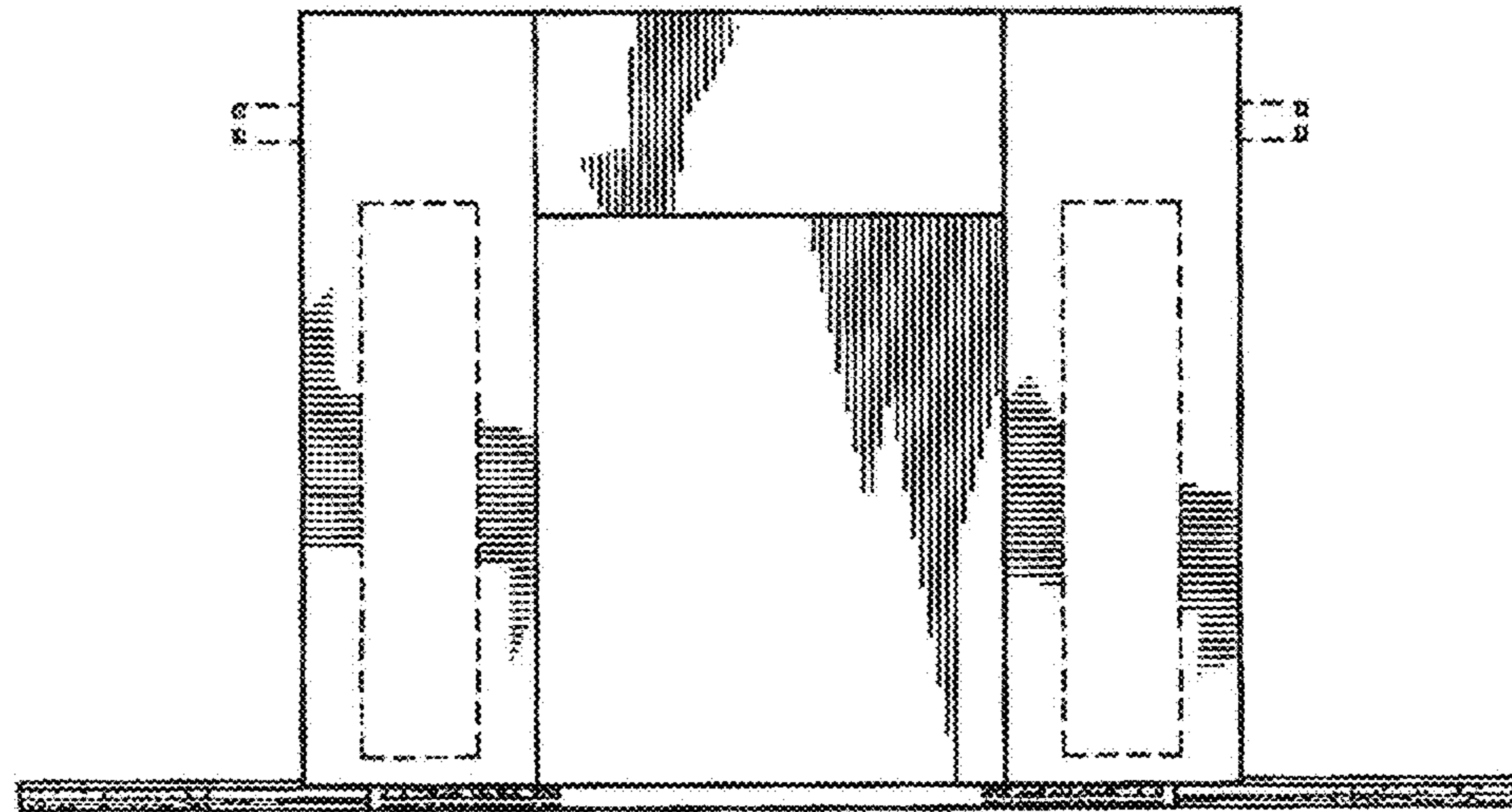


FIG. 8

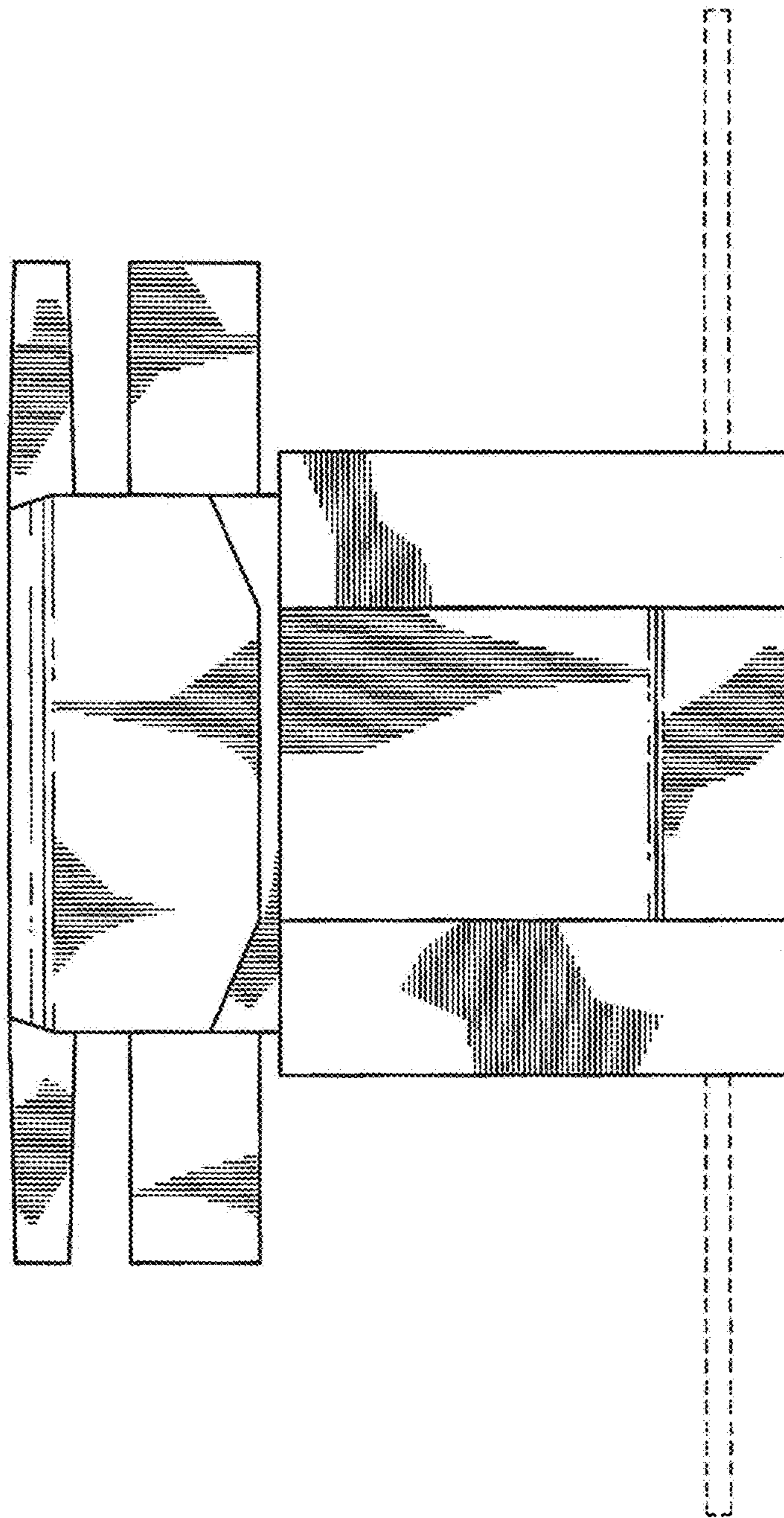


FIG. 9

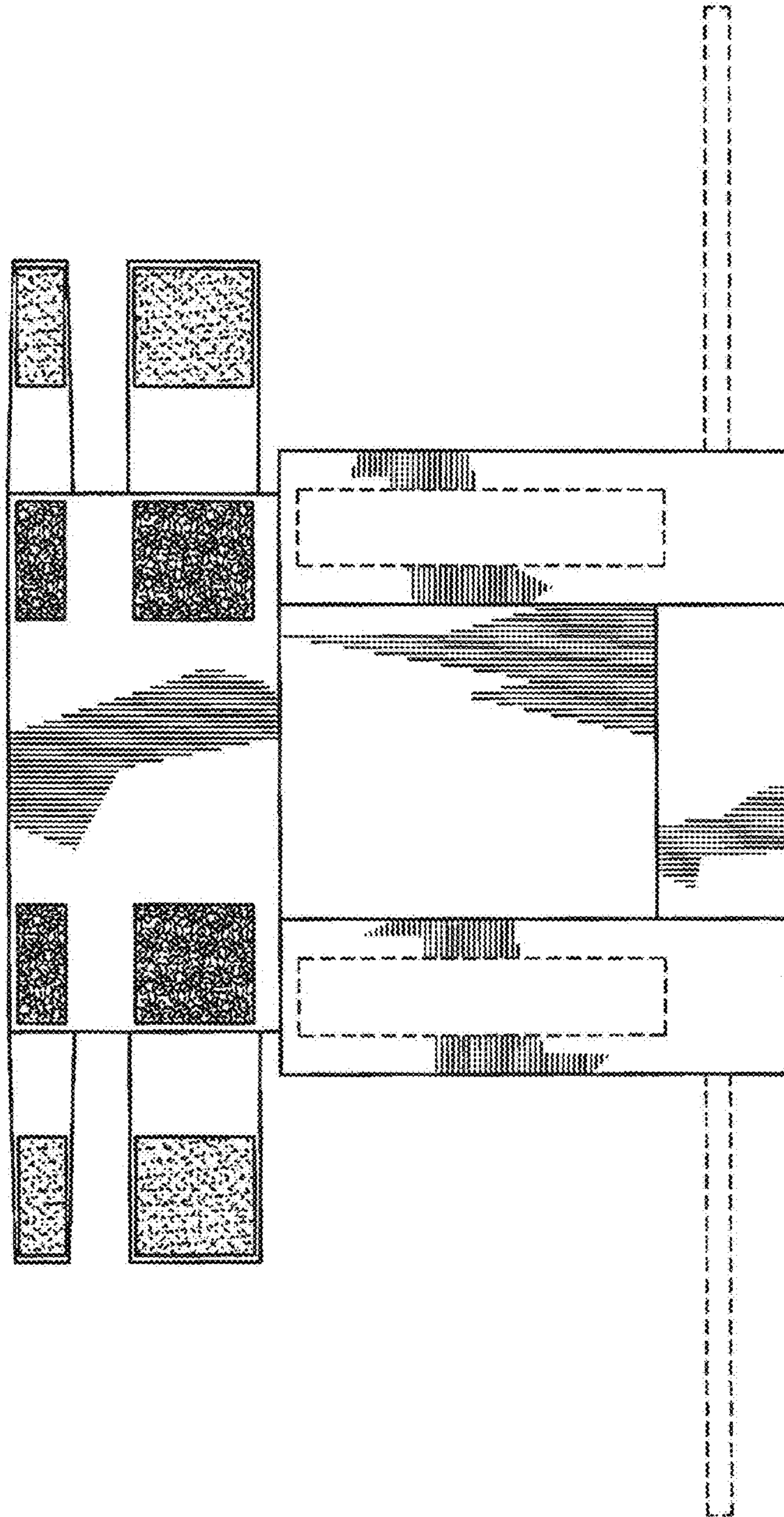


FIG. 10