



US00D839635S

(12) **United States Design Patent**
Girard et al.

(10) **Patent No.:** **US D839,635 S**

(45) **Date of Patent:** **** Feb. 5, 2019**

(54) **FLOOR MAT**

(71) Applicants: **John Joseph Girard**, Lakewood, OH
(US); **Claus Munch Lendal**, Avon
Lake, OH (US)

(72) Inventors: **John Joseph Girard**, Lakewood, OH
(US); **Claus Munch Lendal**, Avon
Lake, OH (US)

(**) Term: **15 Years**

(21) Appl. No.: **29/628,227**

(22) Filed: **Dec. 3, 2017**

(51) **LOC (11) Cl.** **06-11**

(52) **U.S. Cl.**
USPC **D6/582**

(58) **Field of Classification Search**
USPC D6/331, 333, 582-588, 591, 592, 596,
D6/601, 608; D7/551.1; D19/10;
D21/334, 792; D24/212; D30/129, 161
CPC A47D 15/003; A47G 27/00; A47G 27/02;
A47G 27/0206; A47G 27/0212; A47G
27/0218; A47G 27/0225; A47G 27/0231;
A47G 27/0237; A47G 27/0275; A47G
27/0293; A47G 9/062; A47K 3/002;
A63B 6/00; A63H 33/006

See application file for complete search history.

(56) **References Cited**

U.S. PATENT DOCUMENTS

1,756,380 A * 4/1930 Osborn A47G 27/0225
15/244.4
3,434,715 A * 3/1969 Brantingham A47G 27/0231
482/79
4,329,739 A * 5/1982 Loebner F21S 8/032
362/153
4,544,993 A 10/1985 Kirk 362/153
4,921,563 A * 5/1990 Schwertner A63B 6/00
156/243

5,095,412 A 3/1992 French 362/153
5,264,824 A * 11/1993 Hour G08B 13/10
200/85 R
D353,864 S * 12/1994 Thompson D21/792
5,645,914 A * 7/1997 Horowitz A47G 27/0231
428/172
5,848,830 A 12/1998 Castle et al. 362/84
5,863,637 A 1/1999 Mansson et al. 428/156
D420,084 S * 2/2000 Hooper D21/792
6,076,950 A 6/2000 Topping et al. 362/545
D439,102 S * 3/2001 Pierce F21V 33/0004
D6/610
6,204,777 B1 3/2001 Lyons 340/908
(Continued)

OTHER PUBLICATIONS

Led Gaming Mouse Pad by Mcman. Amazon.com. Mar. 27, 2017.
<<https://www.amazon.com/Led-Gaming-Mouse-Pad-Large/dp/B06XWCPWC1/>>. Accessed on Aug. 6, 2018.*

(Continued)

Primary Examiner — Kevin K Rudzinski
Assistant Examiner — Clare Ann Gannon
(74) *Attorney, Agent, or Firm* — David A. Burge

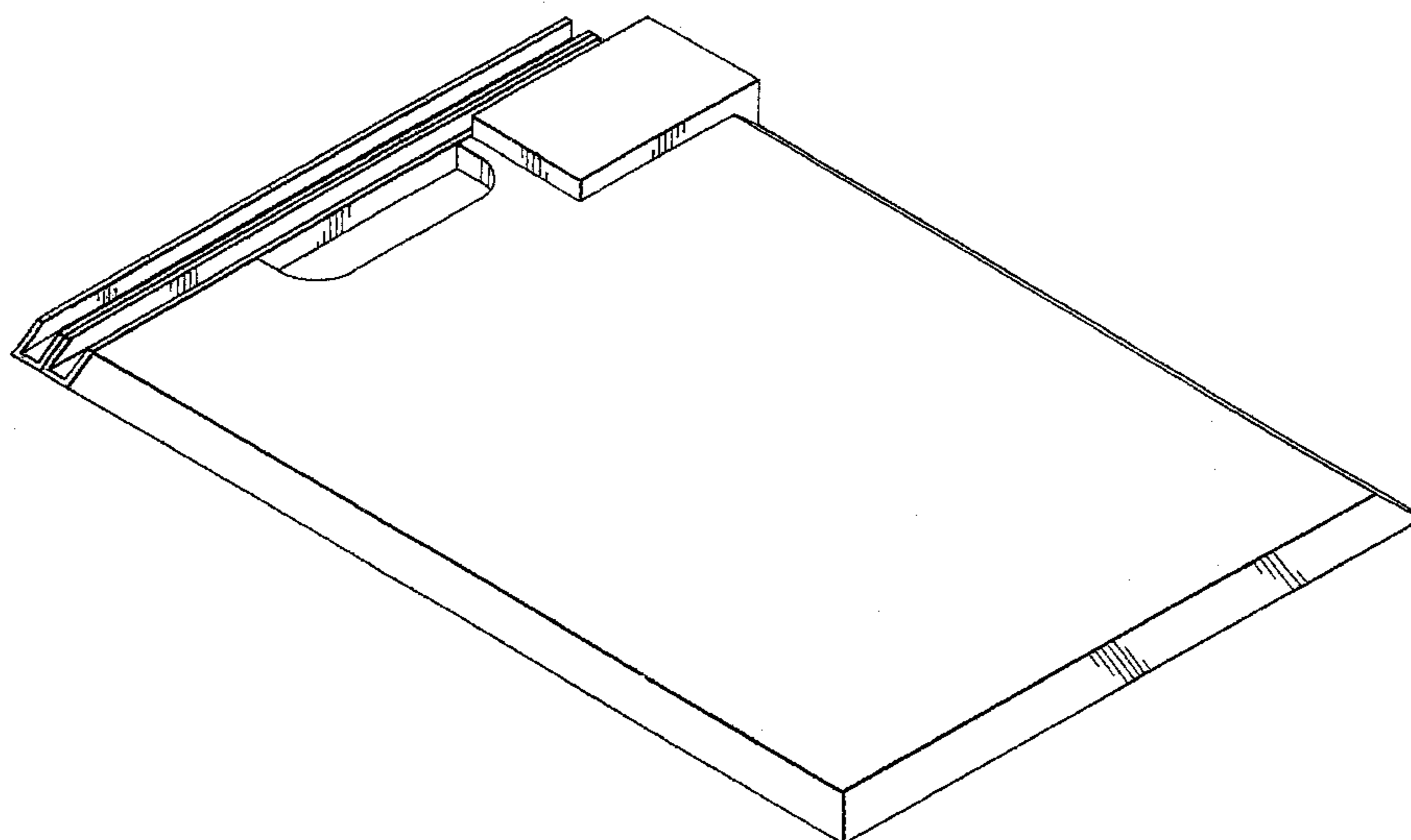
(57) **CLAIM**

We claim the ornamental design for a floor mat, as shown and described.

DESCRIPTION

FIG. 1 is a top, front and left side perspective view of a floor mat, embodying our new design;
FIG. 2 is a top plan view thereof;
FIG. 3 is a rear view thereof;
FIG. 4 is a left side view thereof;
FIG. 5 is a bottom view thereof;
FIG. 6 is a right side view thereof; and,
FIG. 7 is a cross-sectional view on an enlarged scale, as seen from a plane indicated by a line 7-7 in FIG. 2.

1 Claim, 4 Drawing Sheets



(56)

References Cited

U.S. PATENT DOCUMENTS

6,417,778 B2 * 7/2002 Blum A47L 23/22
15/215
6,417,919 B1 7/2002 Hewitt et al. 356/237.1
6,448,900 B1 9/2002 Chen 340/815.45
6,531,203 B2 3/2003 Kessler et al. 428/137
6,549,502 B1 * 4/2003 Lagasse A47L 23/266
369/63
6,718,576 B1 * 4/2004 Shih B60N 3/042
362/488
6,740,380 B2 5/2004 Kessler 428/45
D506,099 S * 6/2005 Muse D6/608
D511,920 S * 11/2005 Bosworth D6/582
D513,774 S * 1/2006 Nudo D21/698
D520,797 S * 5/2006 Bosworth B29C 43/206
D6/582
7,043,792 B2 5/2006 Kessler 15/215
D525,066 S * 7/2006 Plenty D6/608
7,175,899 B2 2/2007 Kessler 428/54
7,233,259 B2 6/2007 Gibson et al. 340/907
D560,945 S * 2/2008 Holmes A47G 27/0231
D6/582
7,497,040 B2 3/2009 Chambless 40/586
7,670,026 B1 3/2010 Hawkins 362/249.05
D619,405 S * 7/2010 Vainshtein A47G 27/0231
D6/582
8,098,172 B2 1/2012 Graham 340/908
8,206,002 B1 6/2012 Olson 362/153.1
8,376,580 B2 2/2013 Li 362/249.02
8,444,287 B2 5/2013 Hardesty 362/153
8,479,424 B1 7/2013 Martin et al. 40/576
8,572,919 B1 11/2013 Neill et al. 52/466
D715,274 S * 10/2014 Callas A47G 27/0231
D14/230
8,859,073 B1 10/2014 Callas 428/95
8,898,972 B2 12/2014 Chen 52/177
8,966,847 B2 3/2015 Kessler et al. 52/466
9,068,720 B2 6/2015 Mangus 362/153
D735,494 S * 8/2015 Wendling A47G 27/0231
D6/583

9,129,513 B1 9/2015 Clarke et al. 73/862.046
D749,062 S * 2/2016 Callas D14/230
9,305,472 B1 4/2016 Pitts 40/586
9,309,657 B2 4/2016 Irwin et al. 428/192
9,347,634 B2 5/2016 Salter et al. 307/107
D766,011 S * 9/2016 Logan D6/596
9,475,426 B1 10/2016 Bobo et al. 362/153
D789,028 S * 6/2017 Wynn D2/500
2003/0071933 A1 4/2003 Ohta et al. 349/61
2006/0082465 A1 4/2006 Grzan et al. 340/665
2006/0177626 A1 * 8/2006 Johnson A47G 27/0231
428/99
2007/0258255 A1 11/2007 Kessler et al. 362/487
2007/0263380 A1 11/2007 Hamar et al. 362/153
2009/0126139 A1 * 5/2009 Batti A47G 27/0243
15/216
2010/0079985 A1 4/2010 Prosey 362/183
2011/0310595 A1 12/2011 Hardesty 362/153
2014/0254158 A1 9/2014 Mangus 362/249.05
2014/0328052 A1 11/2014 Hochman et al. 362/147
2015/0035440 A1 2/2015 Spero 315/53
2016/0037610 A1 2/2016 Kiser 315/153
2016/0037949 A1 * 2/2016 Dawson A47G 27/0206
428/95
2016/0374491 A1 * 12/2016 Chiang A47G 27/0212
428/76
2017/0112300 A1 * 4/2017 Paulat A47G 9/062
2017/0215618 A1 * 8/2017 Park B29C 43/206
2017/0273490 A1 * 9/2017 McMahan A47G 27/0231
2018/0020858 A1 * 1/2018 Gloeckl A47G 27/0231
2018/0042420 A1 * 2/2018 Johnson A47G 27/0231
2018/0153328 A1 * 6/2018 Girard F21V 33/0004

OTHER PUBLICATIONS

Light Up Dance Mat by Kidzlane. Amazon.com. Nov. 30, 2017.
<<https://www.amazon.com/Light-Dance-Mat-Bluetooth-Technology/dp/B0779GRS9S/>>. Accessed on Aug. 6, 2018.*
Ergomat LED solutions for critical tasks. Feb. 2016, 2-page brochure advertising floor mat.

* cited by examiner

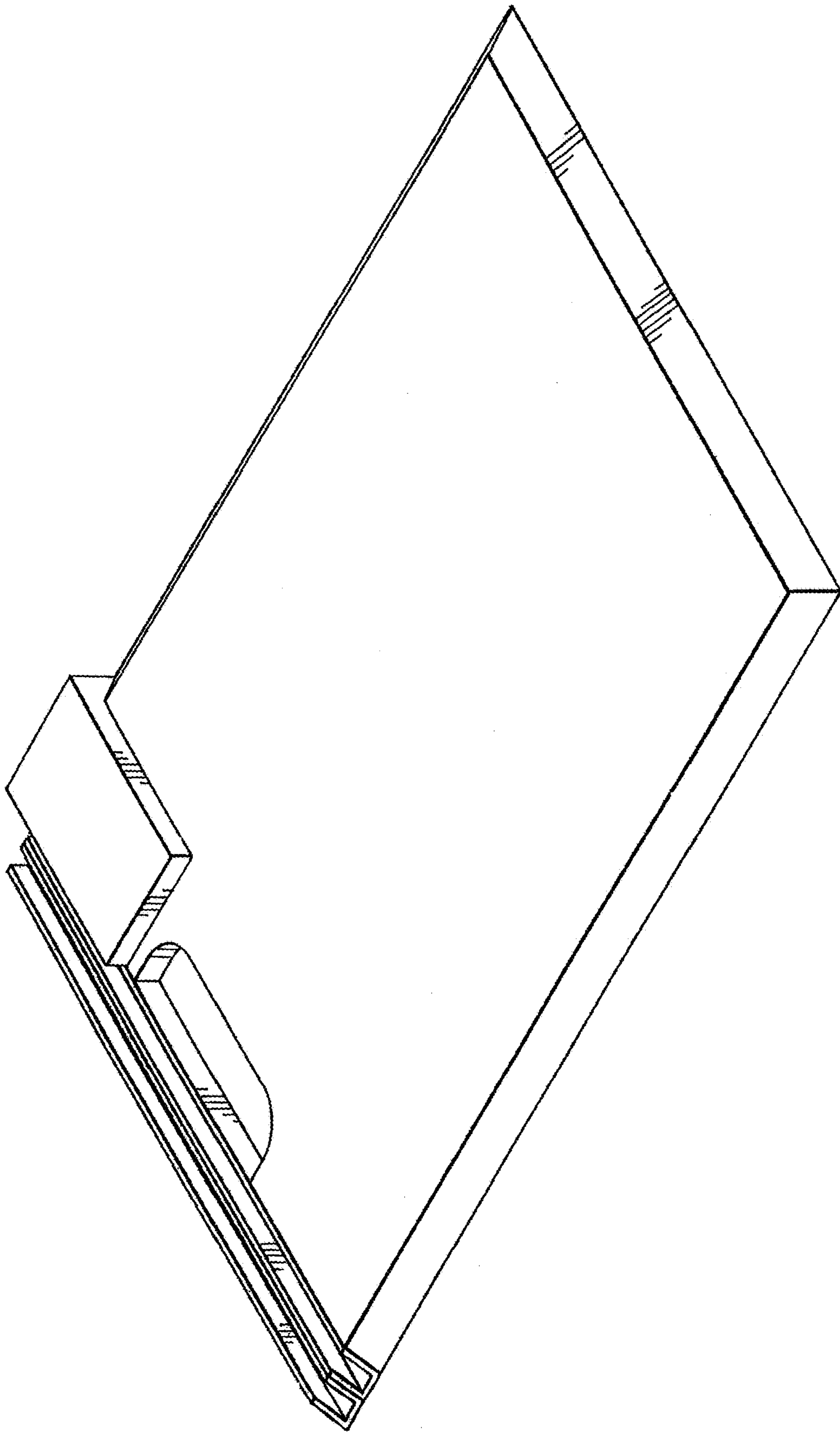


FIG. 1

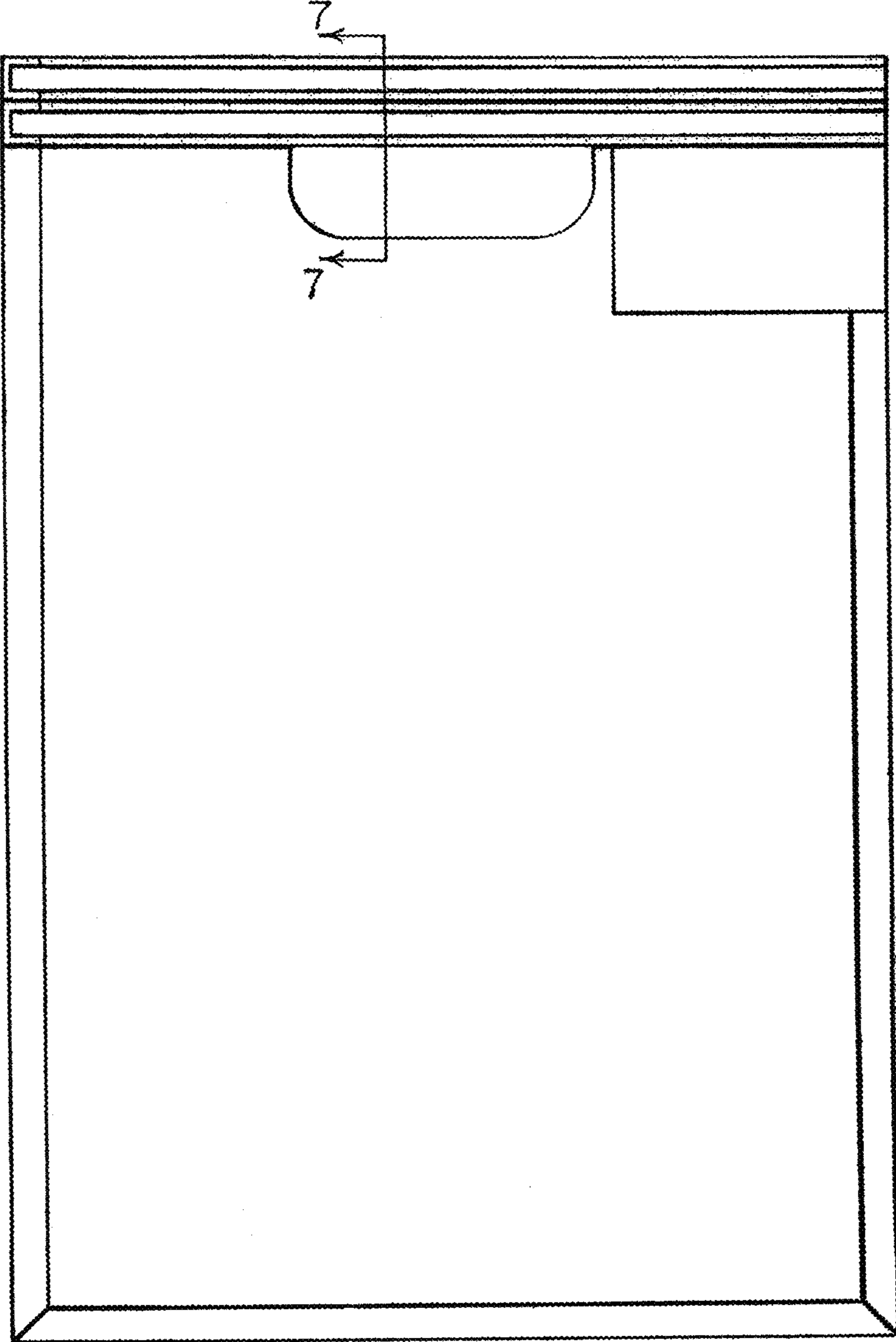


FIG. 2

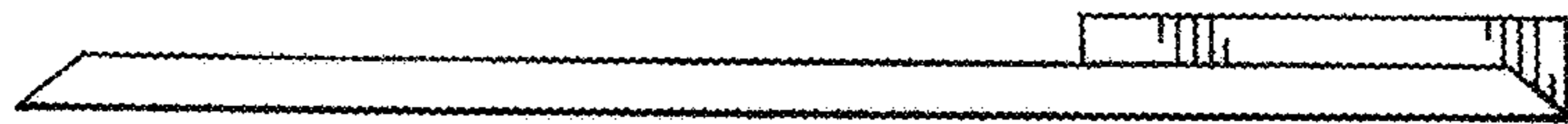


FIG. 3

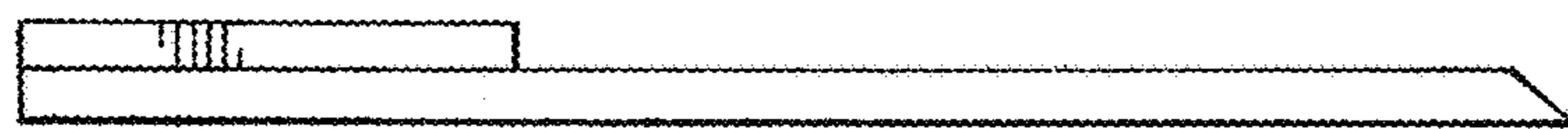


FIG. 4

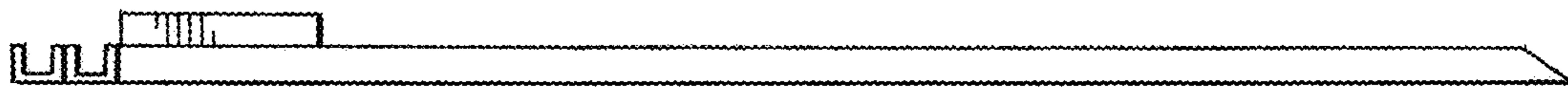


FIG. 5



FIG. 6

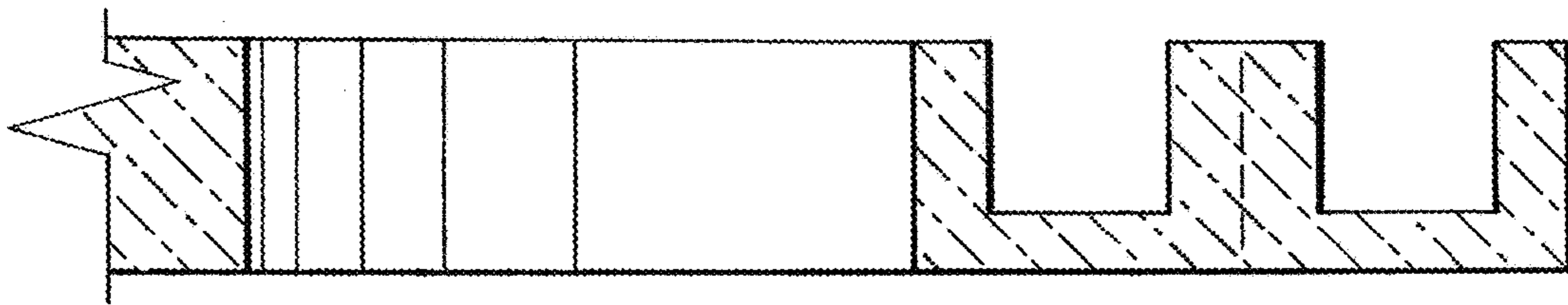


FIG. 7