



US00D839632S

(12) **United States Design Patent** (10) **Patent No.:** **US D839,632 S**
Downey et al. (45) **Date of Patent:** **** Feb. 5, 2019**

(54) **TOWEL HOOK**
(71) Applicant: **Spectrum Brands, Inc.**, Middleton, WI (US)
(72) Inventors: **David Downey**, Mission Viejo, CA (US); **Tony Zhang**, Xiamen (CN)
(73) Assignee: **Spectrum Brands, Inc.**, Middleton, WI (US)
(**) Term: **15 Years**
(21) Appl. No.: **29/626,017**
(22) Filed: **Nov. 14, 2017**
(51) **LOC (11) Cl.** **06-04**
(52) **U.S. Cl.**
USPC **D6/546**
(58) **Field of Classification Search**
USPC D6/546-550, 518-524; 211/13.1, 16, 211/85.5, 86.01, 87.01, 88.04, 110, 105.1, 211/105.2, 106, 113, 123, 181.1, 211/182-183; 248/49, 175, 176.1, 200, 248/201, 205.1, 251, 302, 309.1, 315; D8/300, 370, 315; 108/28-29; 242/570, 242/590, 595-598
CPC A47K 10/04; A47K 10/00
See application file for complete search history.

D576,435 S * 9/2008 Snell D6/513
D663,984 S * 7/2012 Fritz D6/546
D683,987 S * 6/2013 Bickler D6/523
D699,967 S * 2/2014 Goodman D6/522
D764,207 S * 8/2016 Goodman D6/522
D790,874 S * 7/2017 Eads D6/523
D811,118 S * 2/2018 Garland D6/523

OTHER PUBLICATIONS

Pfister; "Arterra Towel Ring"; Publication date unknown but prior to filing date of present application; Date Accessed: Oct. 2, 2017; URL: <https://www.pfisterfaucets.com/bath/product/arterra-towel-ring-brb-de0k>.
Pfister; "Park Avenue Tissue Holder"; Publication date unknown but prior to filing date of present application; Date Accessed: Oct. 2, 2017; URL: <https://www.pfisterfaucets.com/bath/product/park-avenue-tissue-holder-bph-fe1c>.

(Continued)

Primary Examiner — David G Muller
Assistant Examiner — Nathan M Johnston
(74) *Attorney, Agent, or Firm* — Banner & Witcoff, Ltd.

(57) **CLAIM**

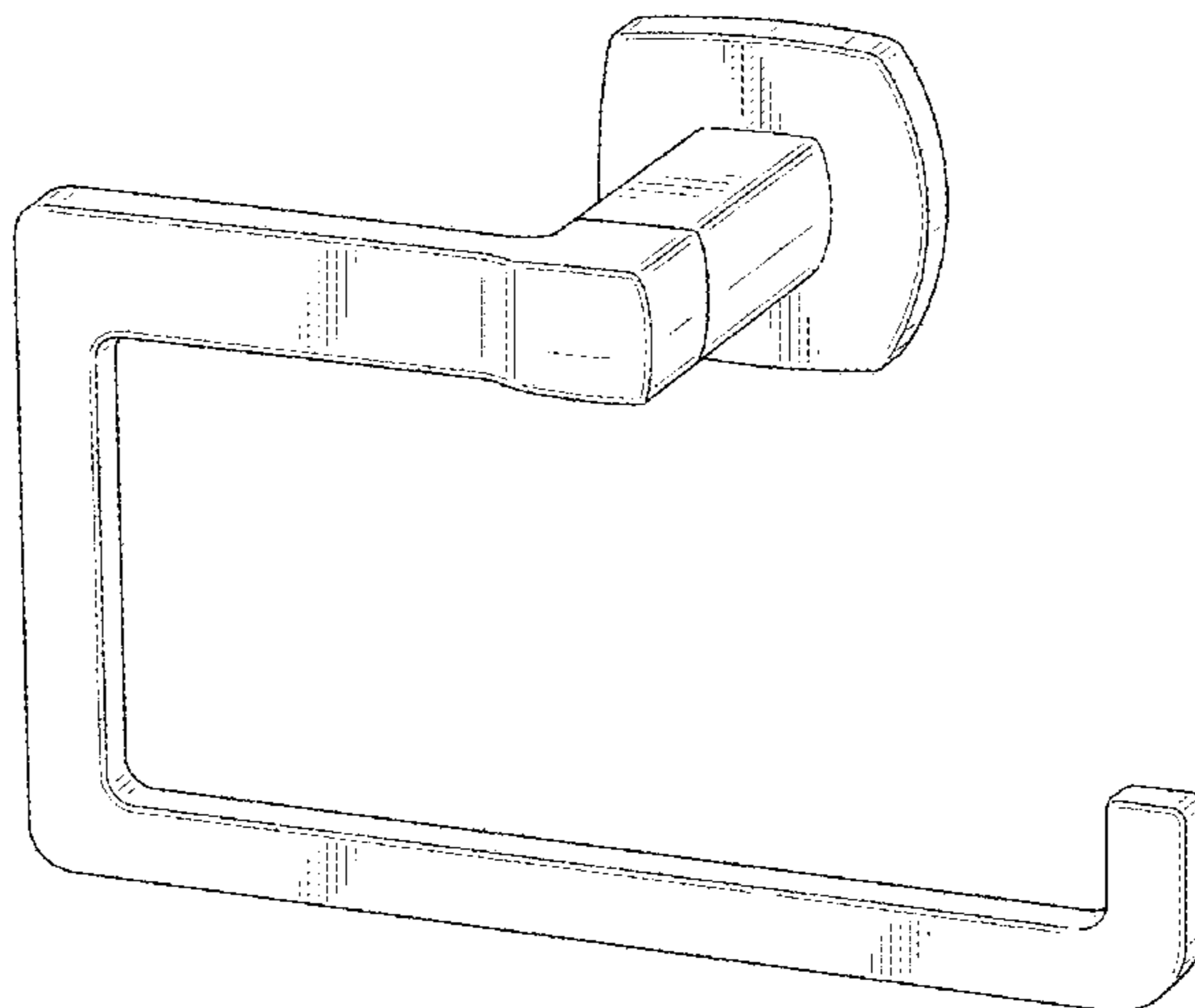
The ornamental design for a towel hook, as shown and described.

DESCRIPTION

FIG. 1 is a front perspective view of a towel hook showing our new design;
FIG. 2 a rear perspective view thereof;
FIG. 3 is a front elevation view thereof;
FIG. 4 is a right side elevation view thereof;
FIG. 5 is a left side elevation view thereof;
FIG. 6 is a top plan view thereof; and,
FIG. 7 is a bottom plan view thereof.
The broken lines show portions of the design that form no part of the claimed design.

1 Claim, 6 Drawing Sheets

(56) **References Cited**
U.S. PATENT DOCUMENTS
D431,947 S * 10/2000 Kopcak D6/523
D450,503 S * 11/2001 Gottwald D6/523
6,345,797 B1 * 2/2002 Ming-Hsiao A47K 10/40
211/105.1
D521,291 S * 5/2006 Ferrer Beltran D6/546
D521,292 S 5/2006 Ferrer Beltran
D522,295 S 6/2006 Ferrer Beltran
D523,273 S * 6/2006 Ferrer Beltran D6/546
D550,489 S * 9/2007 Williams D6/523



(56)

References Cited

OTHER PUBLICATIONS

The Bath Outlet; "Square Polished Chrome Towel Ring"; Publication date unknown but prior to filing date of present application; Date Accessed: Oct. 2, 2017; URL: <<https://www.thebathoutlet.com/towel-ring-square-polished-chrome-towel-ring-gedy-3870-13/product/4520>>.

Drench; "Vado Level Rectangular Towel Ring"; Publication date unknown but prior to filing date of present application; Date Accessed: Oct. 2, 2017; URL: <<http://www.drench.co.uk/vado-level-rectangular-towel-ring>>.

Ebay; "Sonia Nakar 119011 Metal Rectagular Shaped Towel Ring Open 180mm"; Publication date unknown but prior to filing date of present application; Date Accessed: Oct. 2, 2017; URL: <<http://www.ebay.com/itm/Sonia-Nakar-119011-Metal-Rectangular-Shaped-Towel-Ring-Open-180mm-7-NIB-/290870633916>>.

Atlas; "Parker Bath Towel Ring"; Publication date unknown but prior to filing date of present application; Date Accessed: Oct. 2, 2017; URL: <<https://www.atlashomewares.com/bath-hardware/collections/parker/patr-ch-parker-bath-towel-ring.html>>.

* cited by examiner

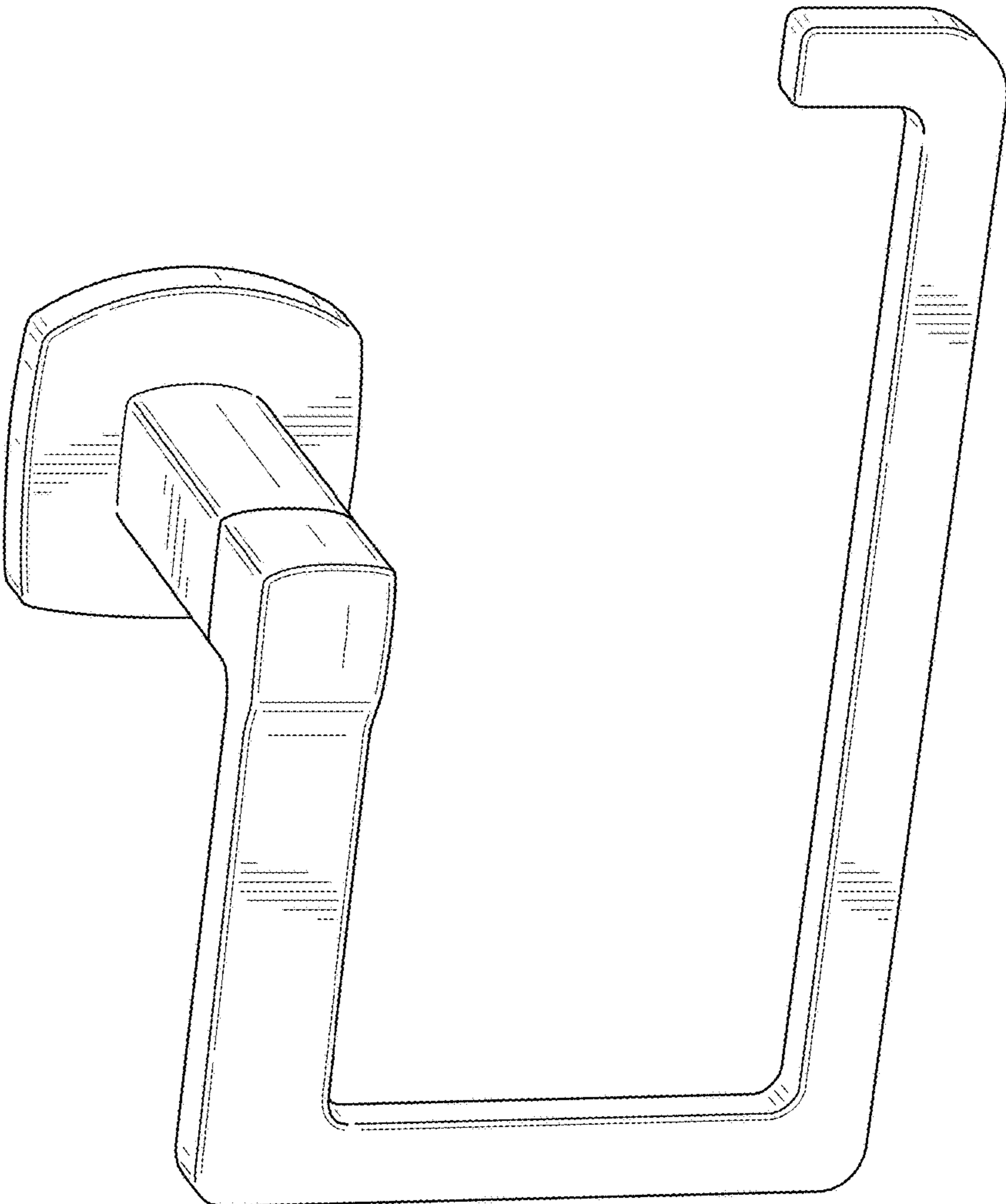


FIG. 1

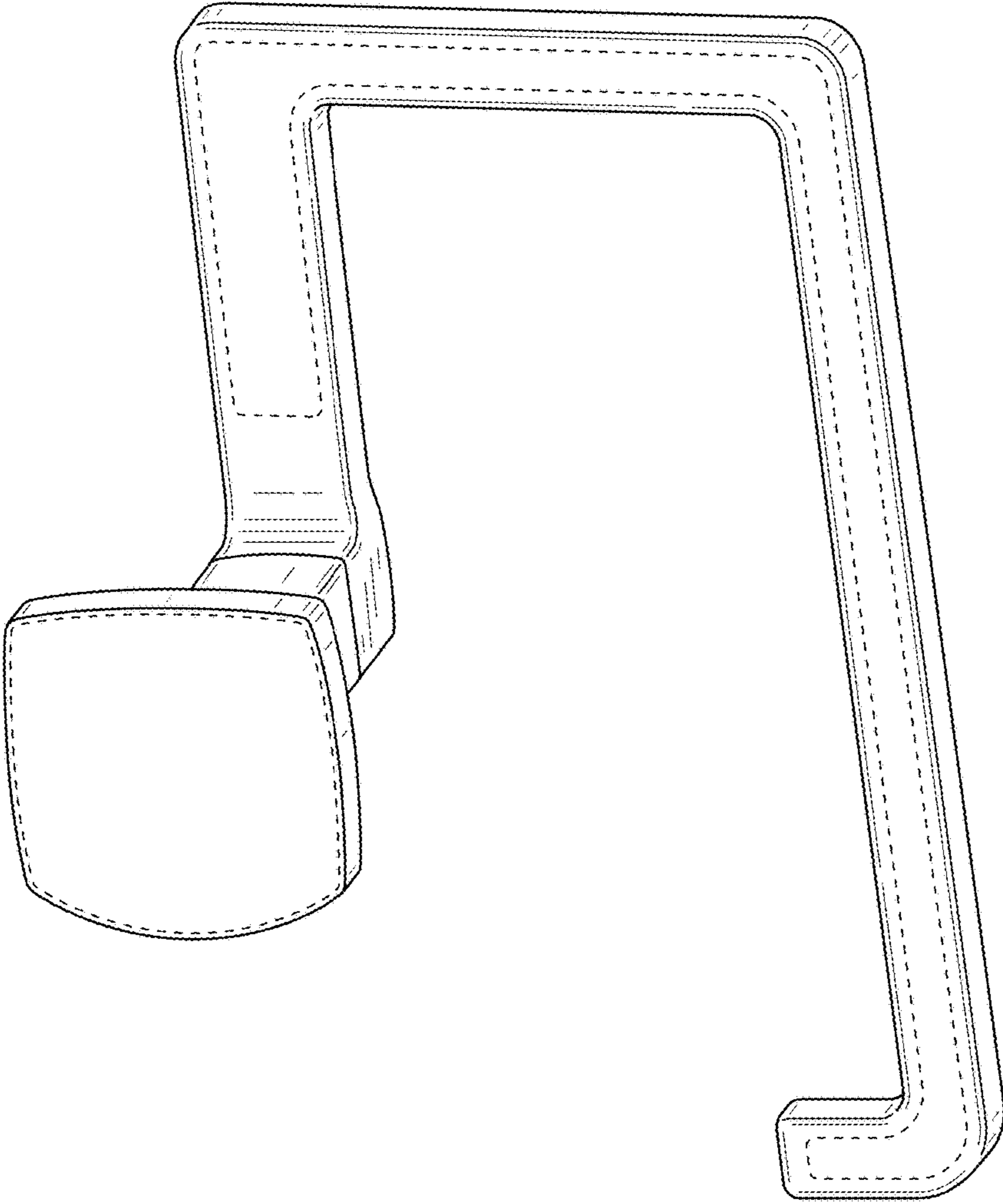


FIG. 2

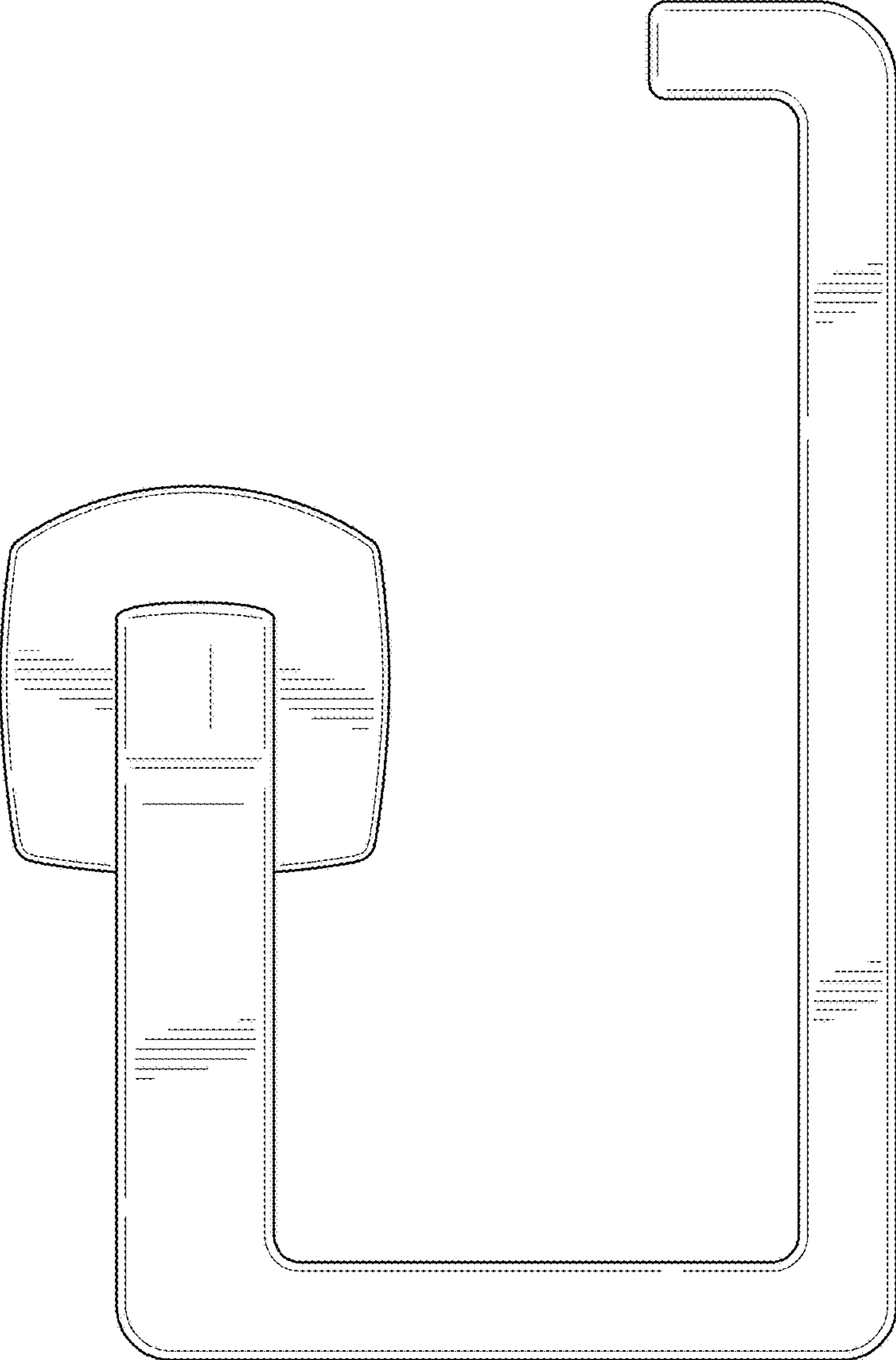


FIG. 3

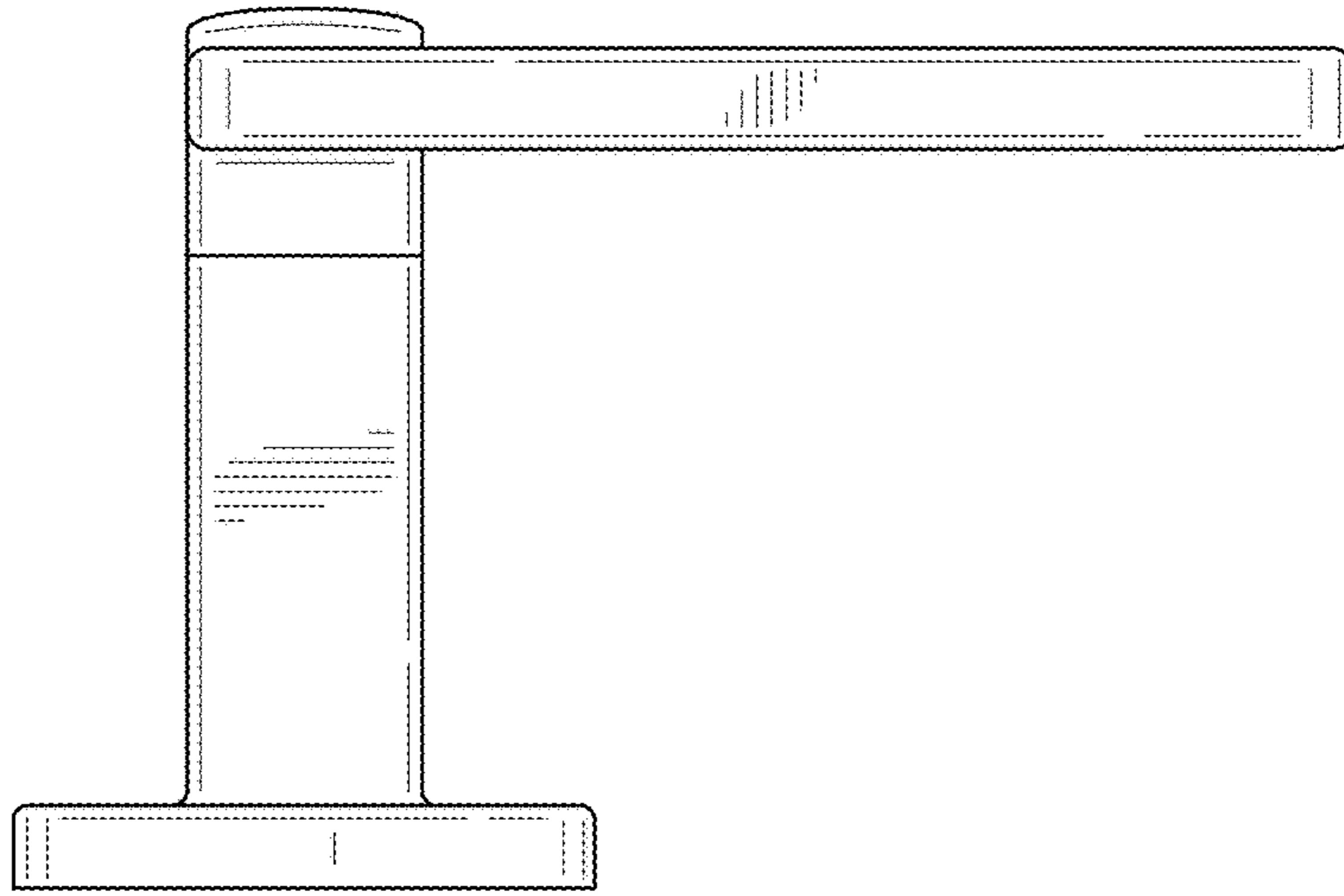


FIG. 5

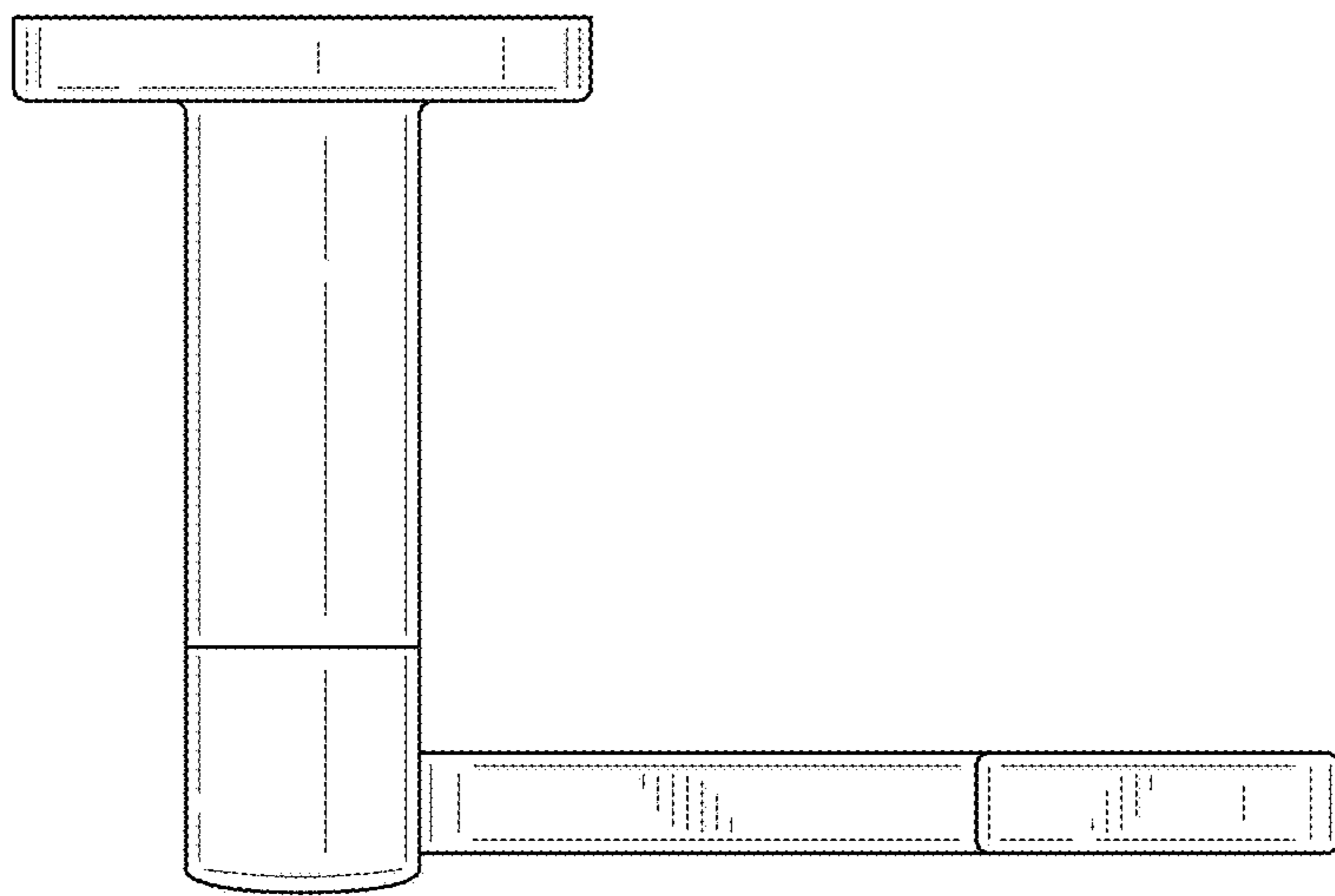


FIG. 4

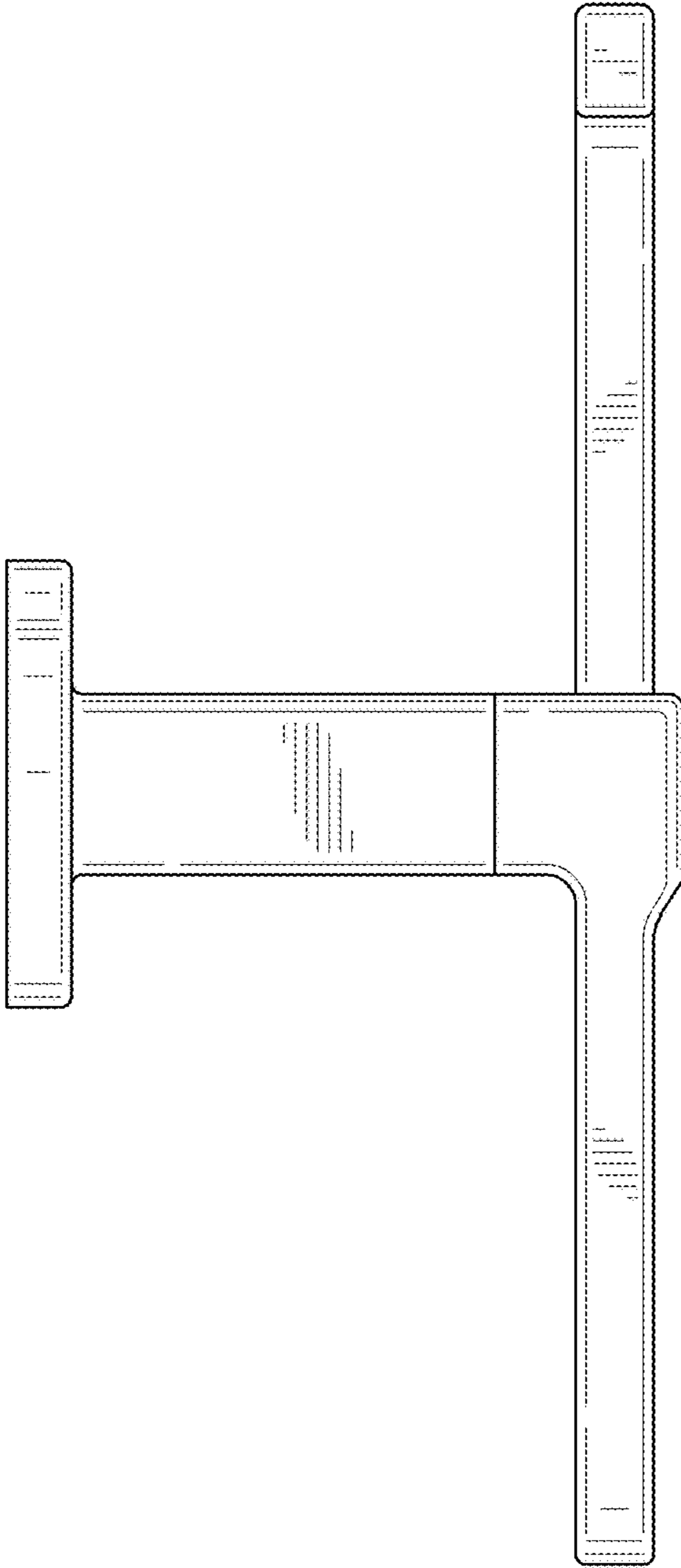


FIG. 6

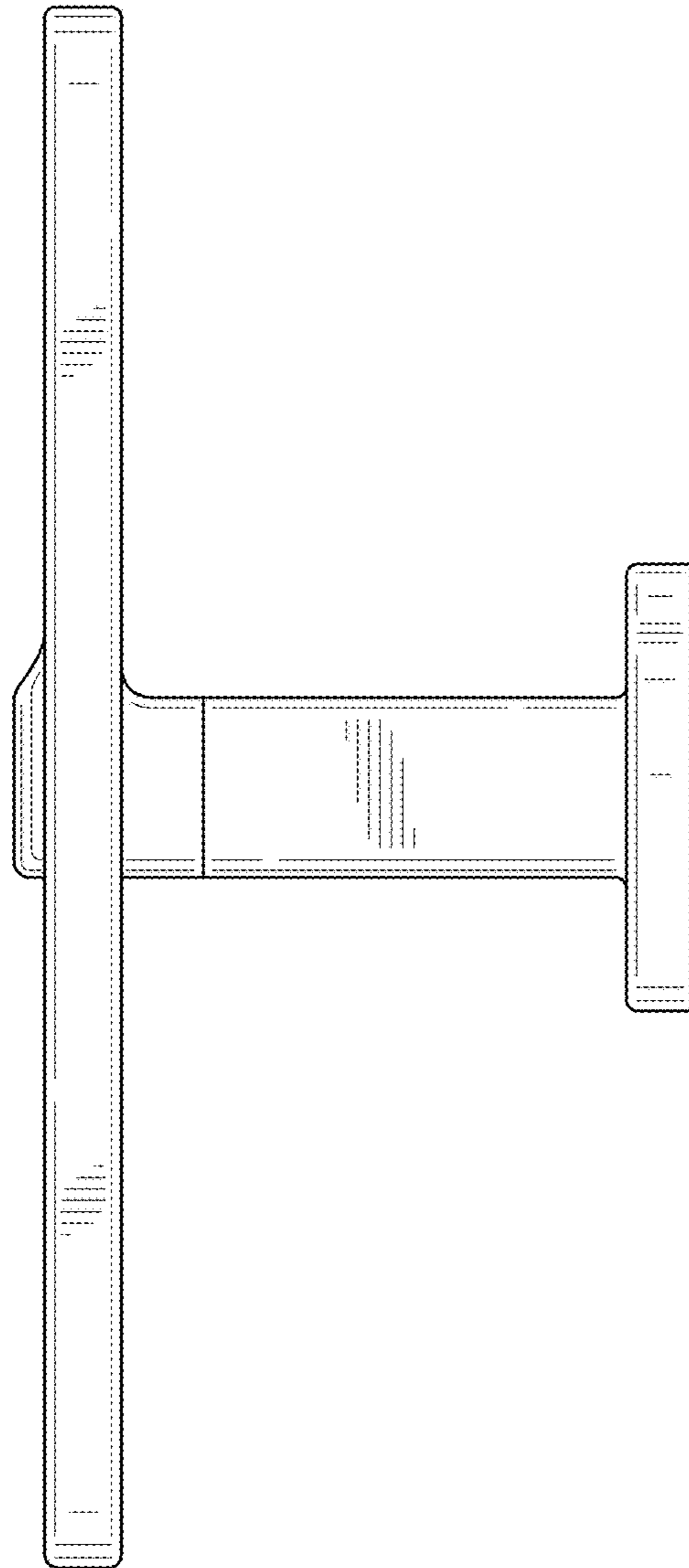


FIG. 7