



US00D839631S

(12) **United States Design Patent** (10) **Patent No.:** **US D839,631 S**
Ismaël et al. (45) **Date of Patent:** **** Feb. 5, 2019**

(54) **DISPENSER**
(71) Applicant: **SMIXIN**, Biel/Bienne (CH)
(72) Inventors: **Düscher Ismaël**, Crémines (CH); **Vitet Alex**, Marblehead, MA (US)

2014/0117265 A1* 5/2014 Cochart E03D 3/06
251/129.15
2017/0020348 A1* 1/2017 Schalitz A47K 5/1211
2017/0349359 A1* 12/2017 Wegelin A47K 5/12

(**) Term: **15 Years**

FOREIGN PATENT DOCUMENTS
JP D1117308 S 8/2001
TW D144825 S 1/2012

(21) Appl. No.: **35/502,717**

* cited by examiner

(22) Filed: **Sep. 28, 2016**

Primary Examiner — Mary Ann Calabrese
(74) *Attorney, Agent, or Firm* — Oppedahl Patent Law Firm LLC

(80) **Hague Agreement Data**

Int. Filing Date: **Sep. 28, 2016**
Int. Reg. No.: **DM/093900**
Int. Reg. Date: **Sep. 28, 2016**
Int. Reg. Pub. Date: **Mar. 31, 2017**

(57) **CLAIM**

The ornamental design for a dispenser, as shown and described.

(51) **LOC (11) Cl.** **23-02**

DESCRIPTION

(52) **U.S. Cl.**
USPC **D6/542**

(58) **Field of Classification Search**
USPC D6/512, 524, 542, 543, 545; D23/238
CPC A47K 5/06; A47K 5/12; A47K 5/1202;
A47K 5/1204; A47K 5/1207; A47K
5/1208; A47K 5/1211; A47K 5/1214;
A47K 5/14; A45D 34/00; B65D 83/14;
B65D 83/201; F16K 21/00
See application file for complete search history.

- 1.1 : Perspective
- 1.2 : Front
- 1.3 : Left
- 1.4 : Top
- 1.5 : Perspective
- 1.6 : Bottom
- 1.7 : Back
- 2.1 : Perspective
- 2.2 : Front
- 2.3 : Left
- 2.4 : Top
- 2.5 : Perspective
- 2.6 : Back
- 2.7 : Bottom

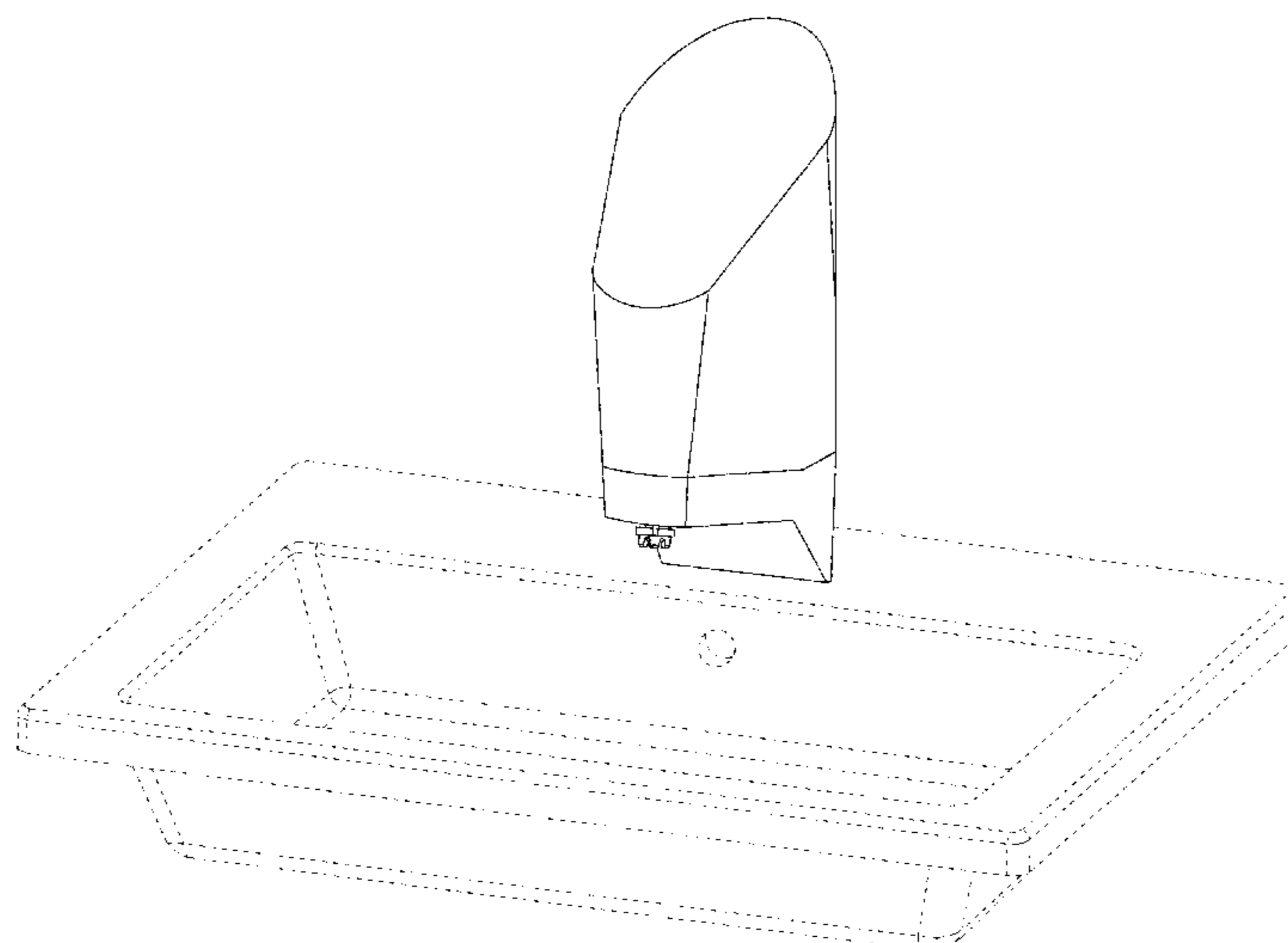
(56) **References Cited**

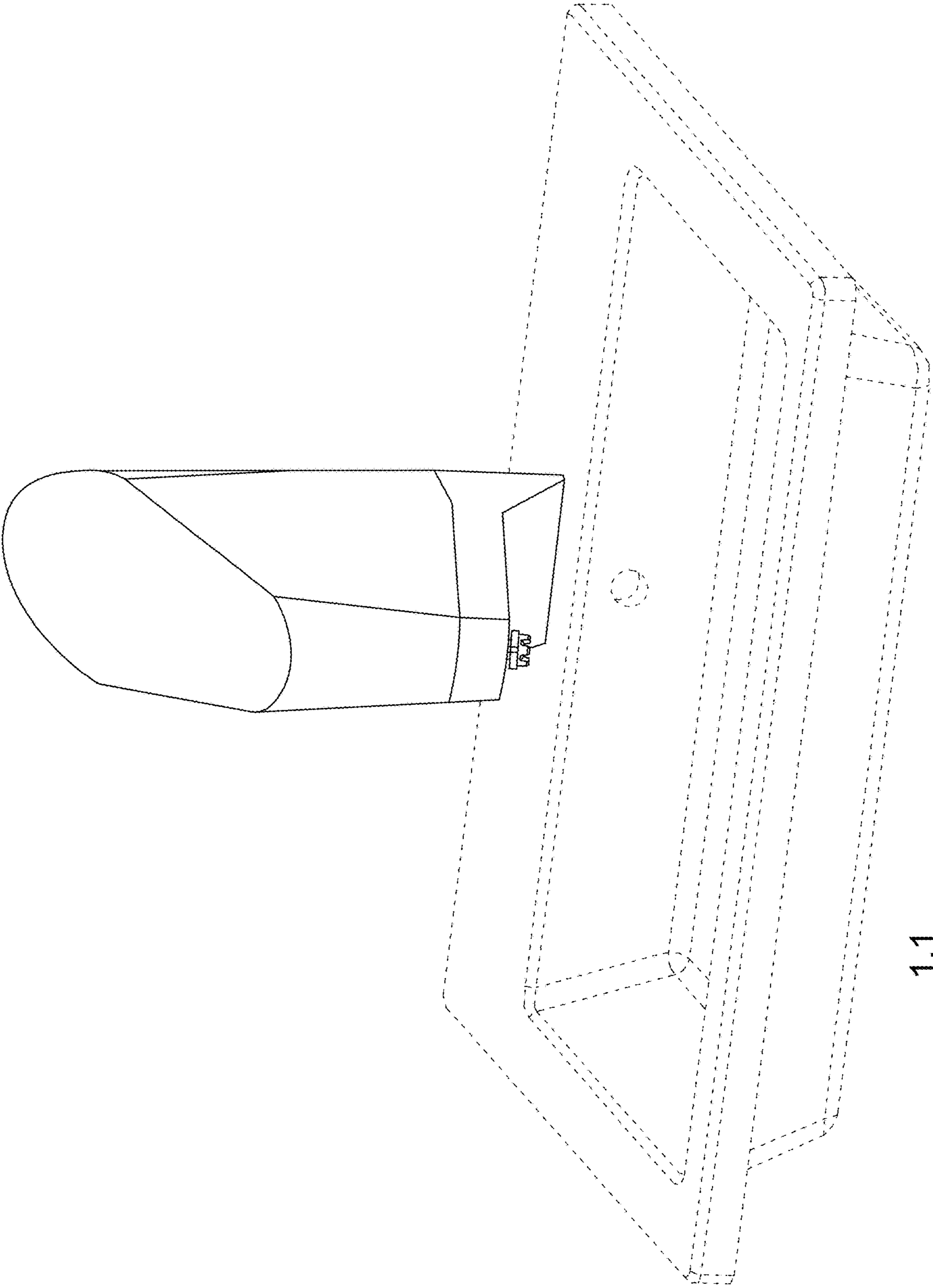
U.S. PATENT DOCUMENTS

D322,028 S * 12/1991 Appleby D6/542
D496,202 S * 9/2004 Hansen D6/545
D687,652 S * 8/2013 Lin D6/542
D731,203 S * 6/2015 Watson D6/542
D787,854 S * 5/2017 Taylor D6/542
D793,762 S * 8/2017 Yuan D6/542
D797,916 S * 9/2017 Gobber D23/366
D809,819 S * 2/2018 Johnson D6/542
2012/0234874 A1* 9/2012 Archer A45D 34/00
222/526

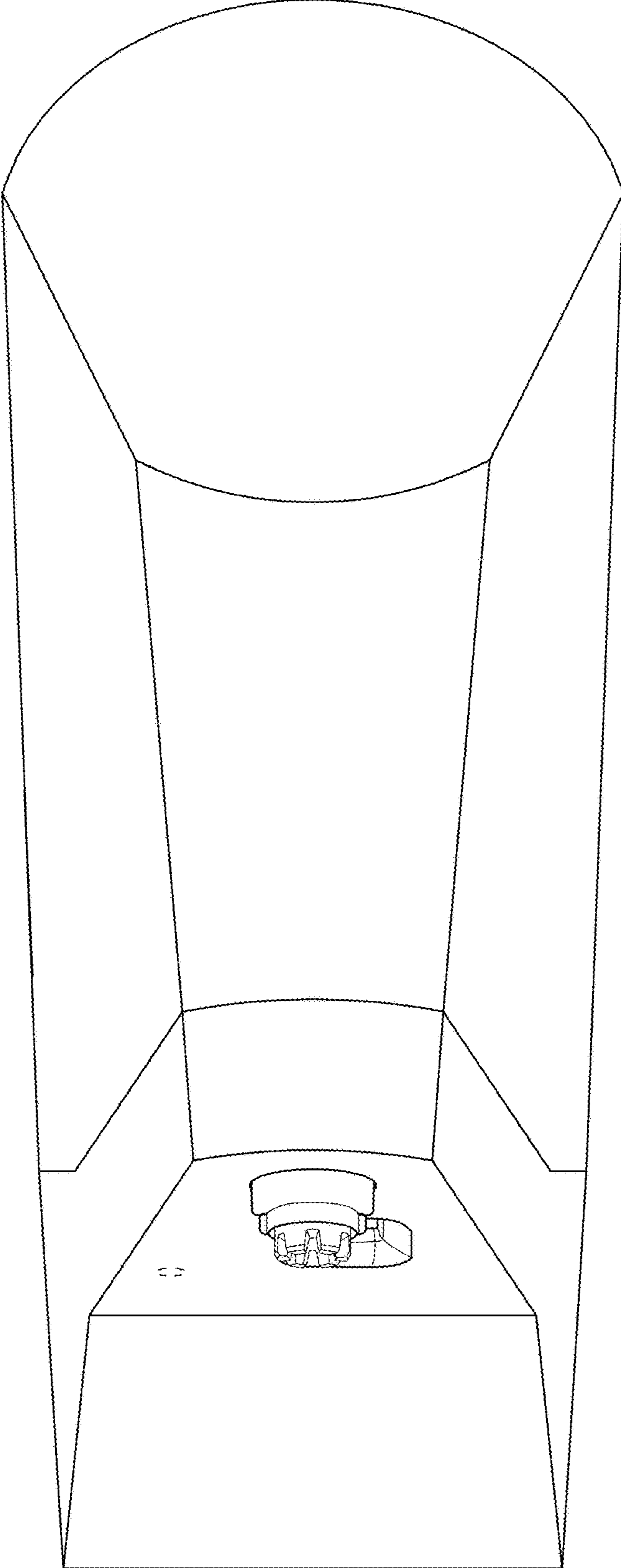
The right views have been omitted because they are a mirror image of the left views shown in 1.3 and 2.3. The broken lines showing a sink in views 1.1 and 2.1 illustrates environment and forms not part of the claimed design. All other broken lines show portions of the dispenser that form not part of the claimed design.

1 Claim, 14 Drawing Sheets

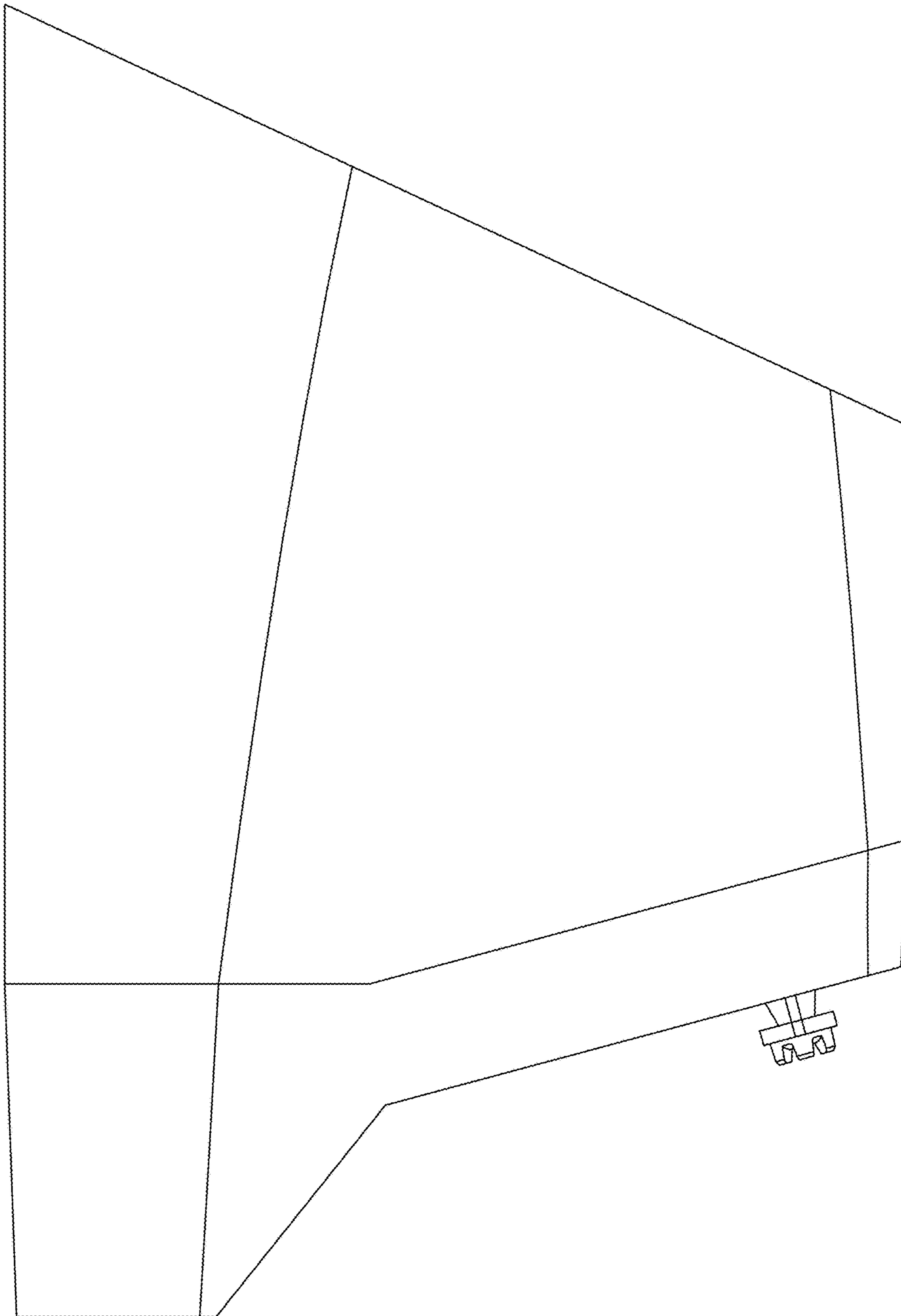




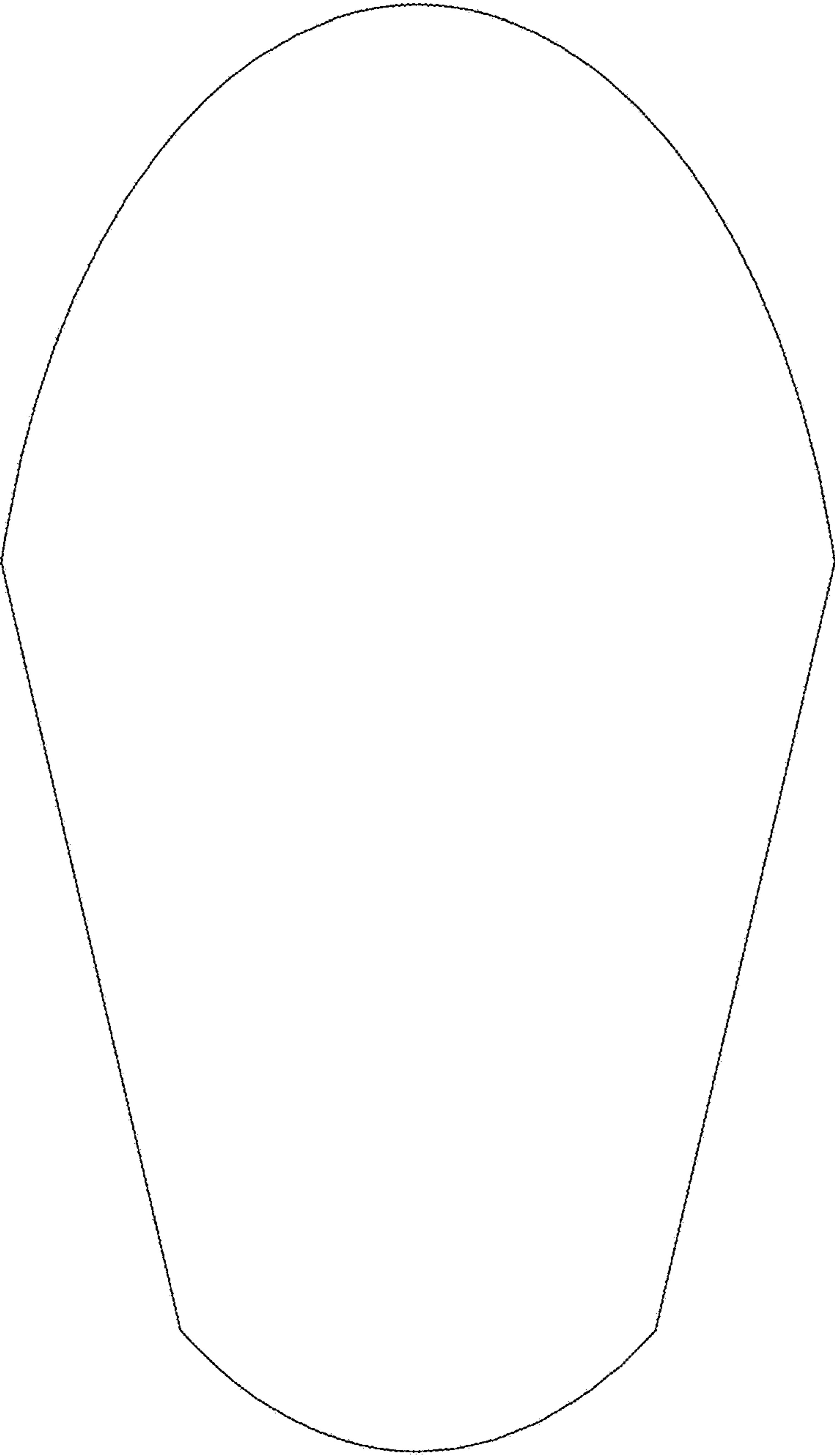
1.1



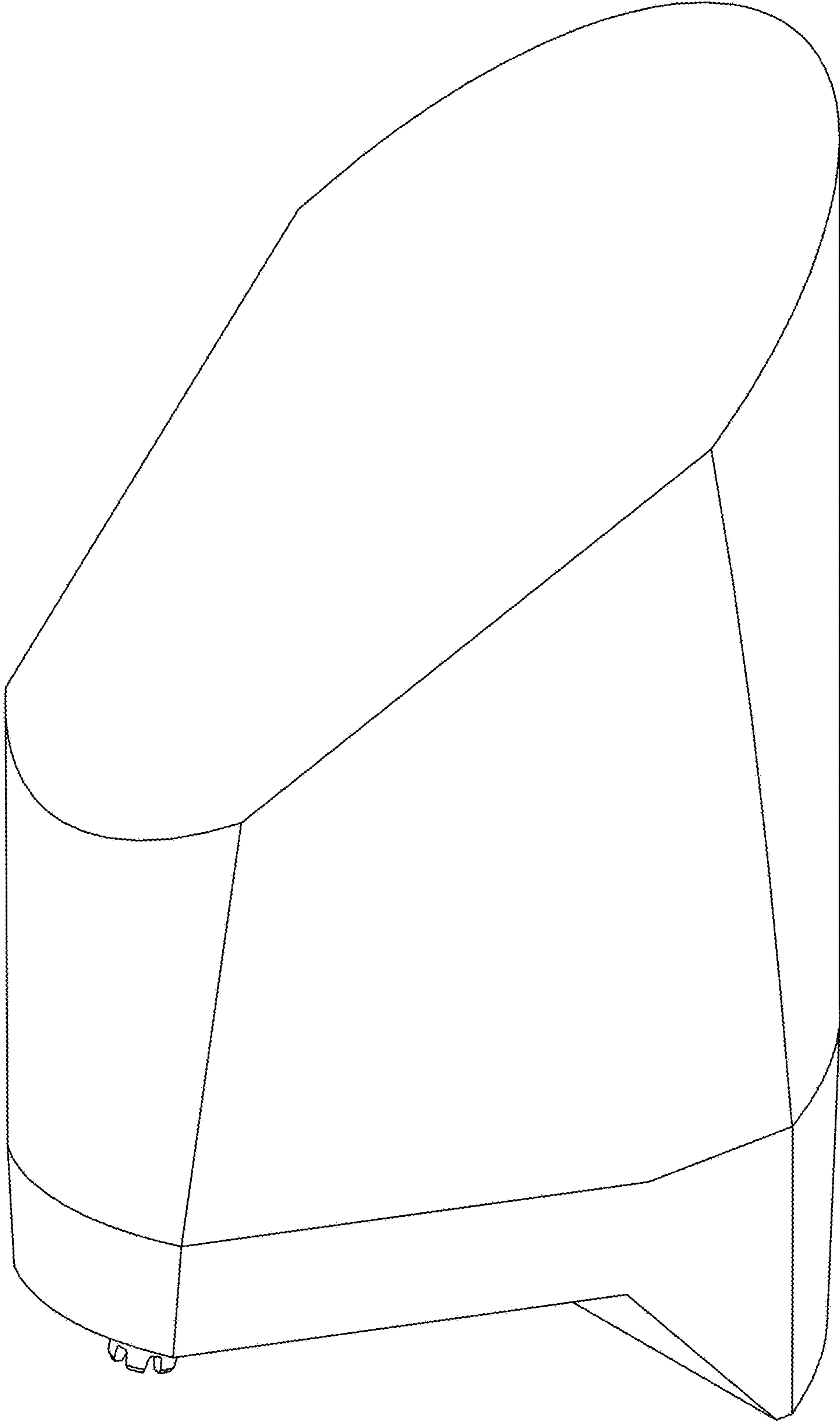
1.2



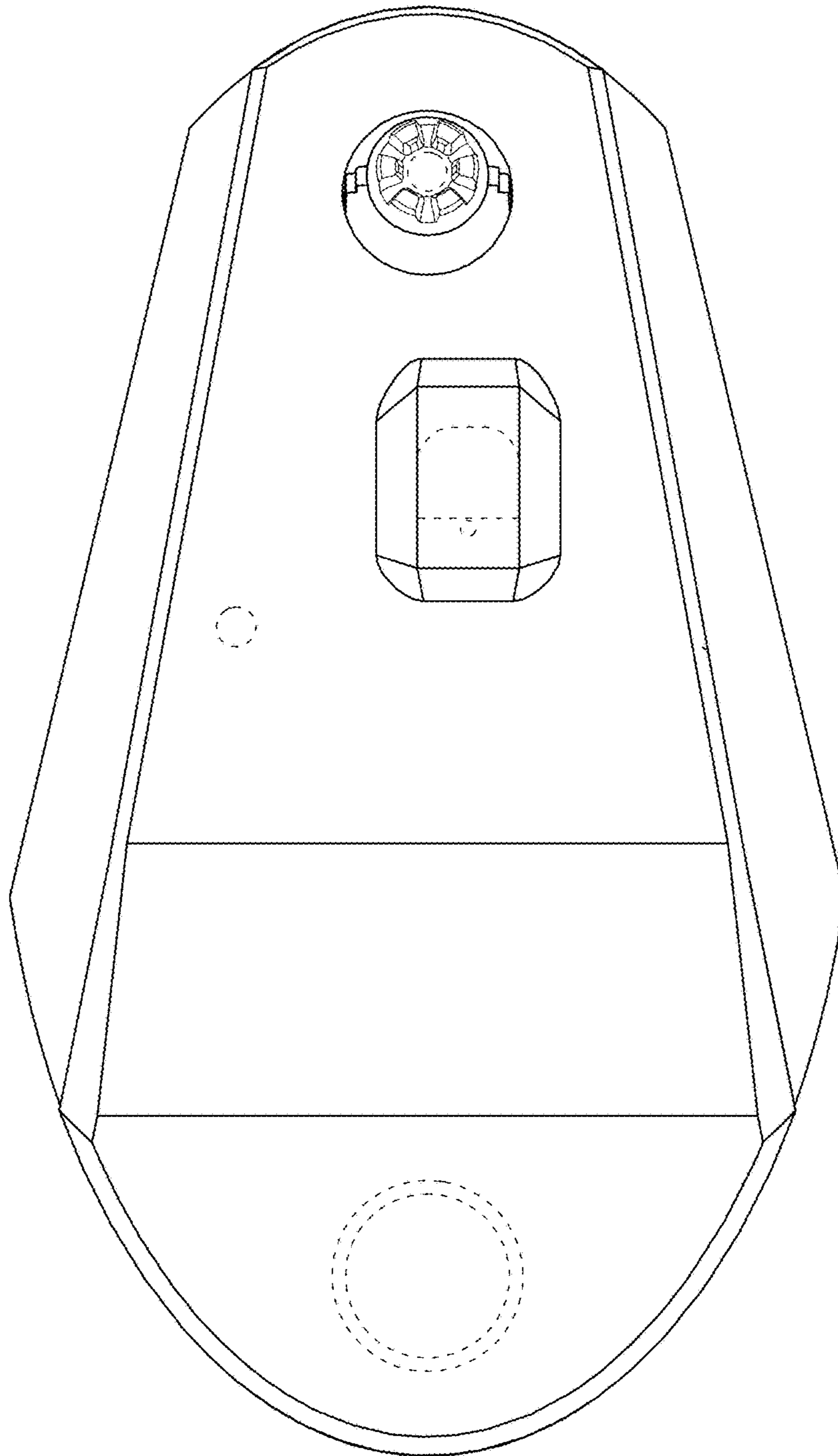
1.3



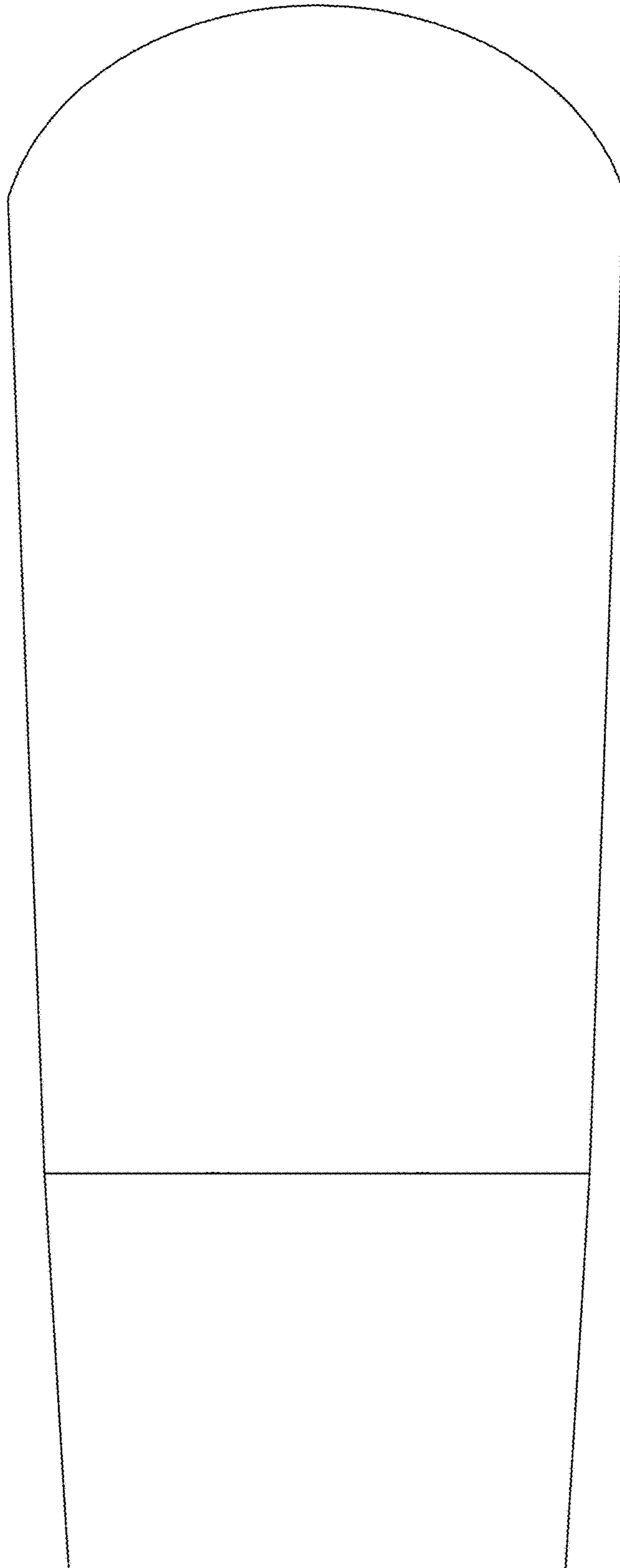
1.4



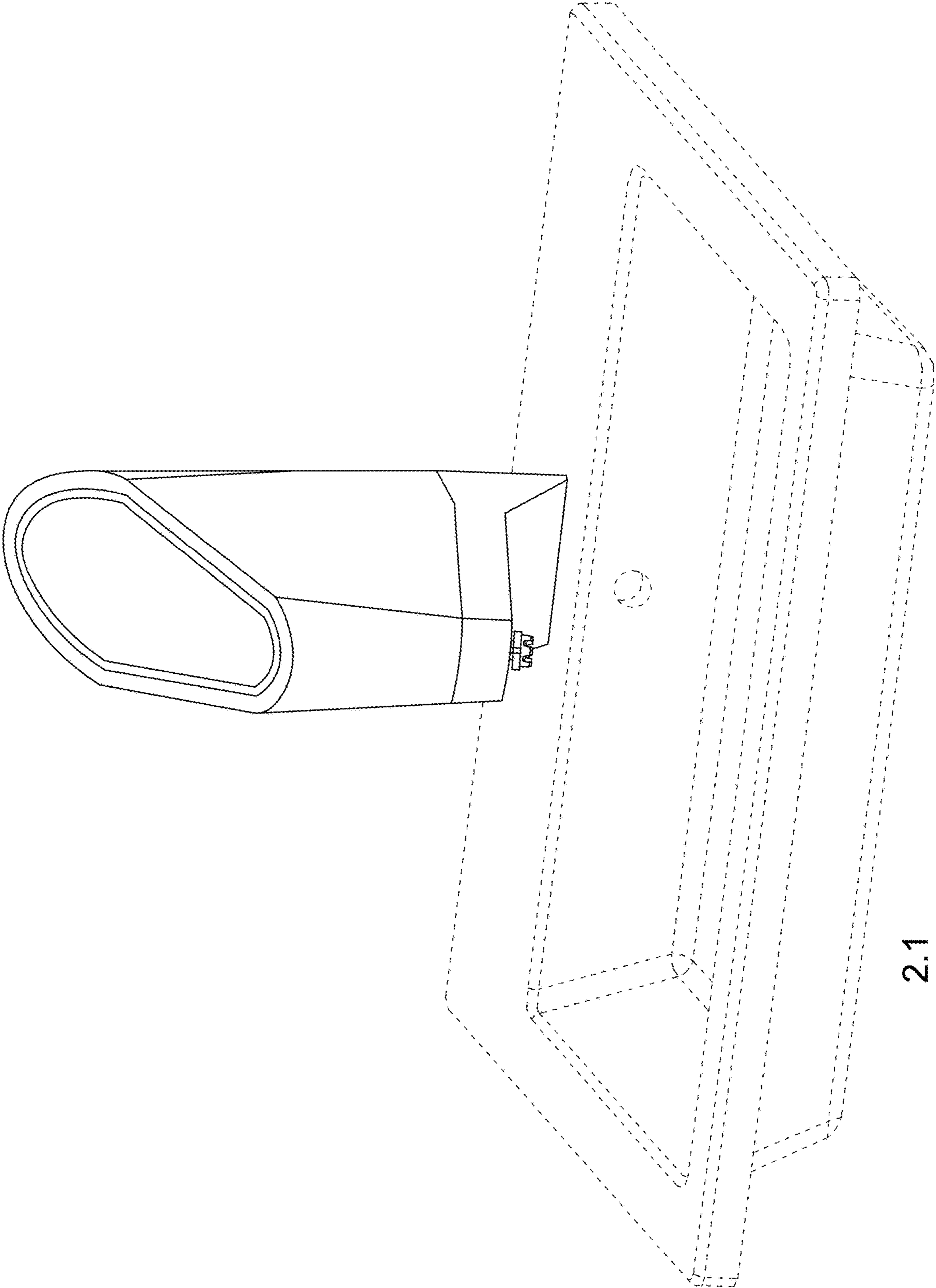
1.5

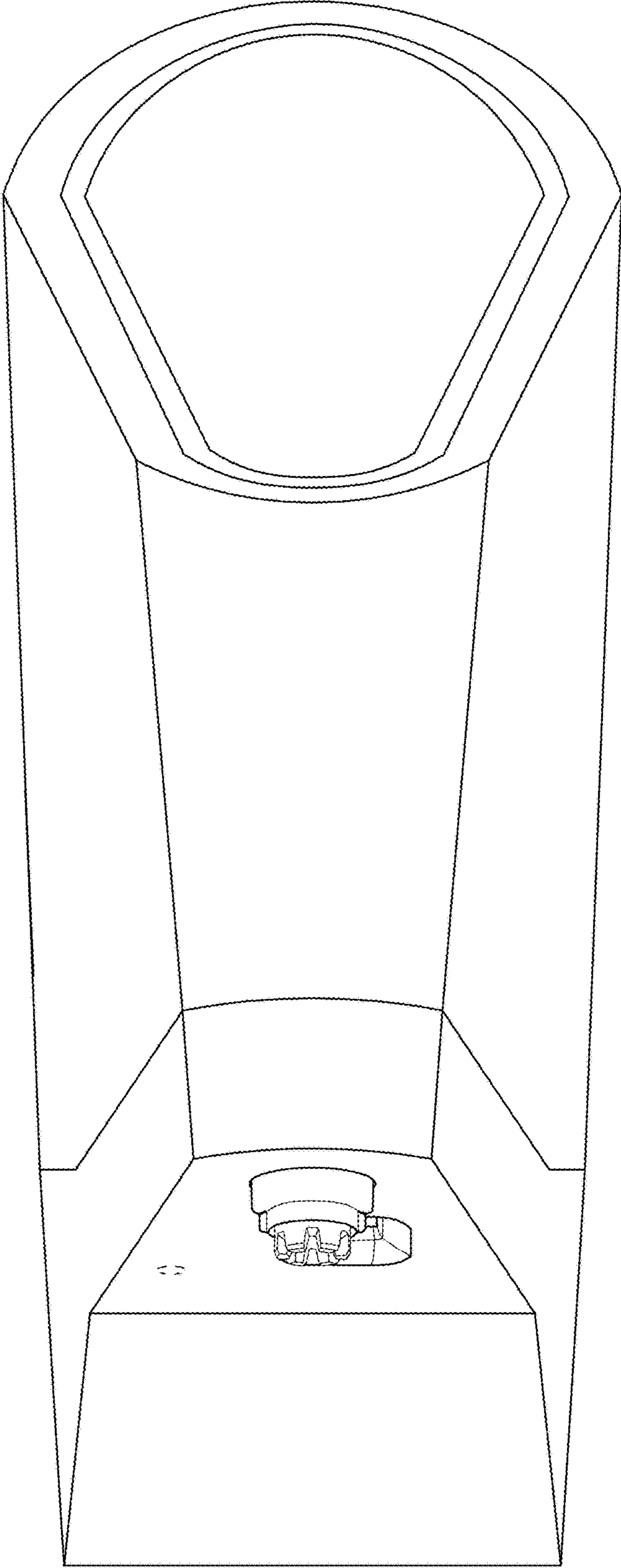


1.6

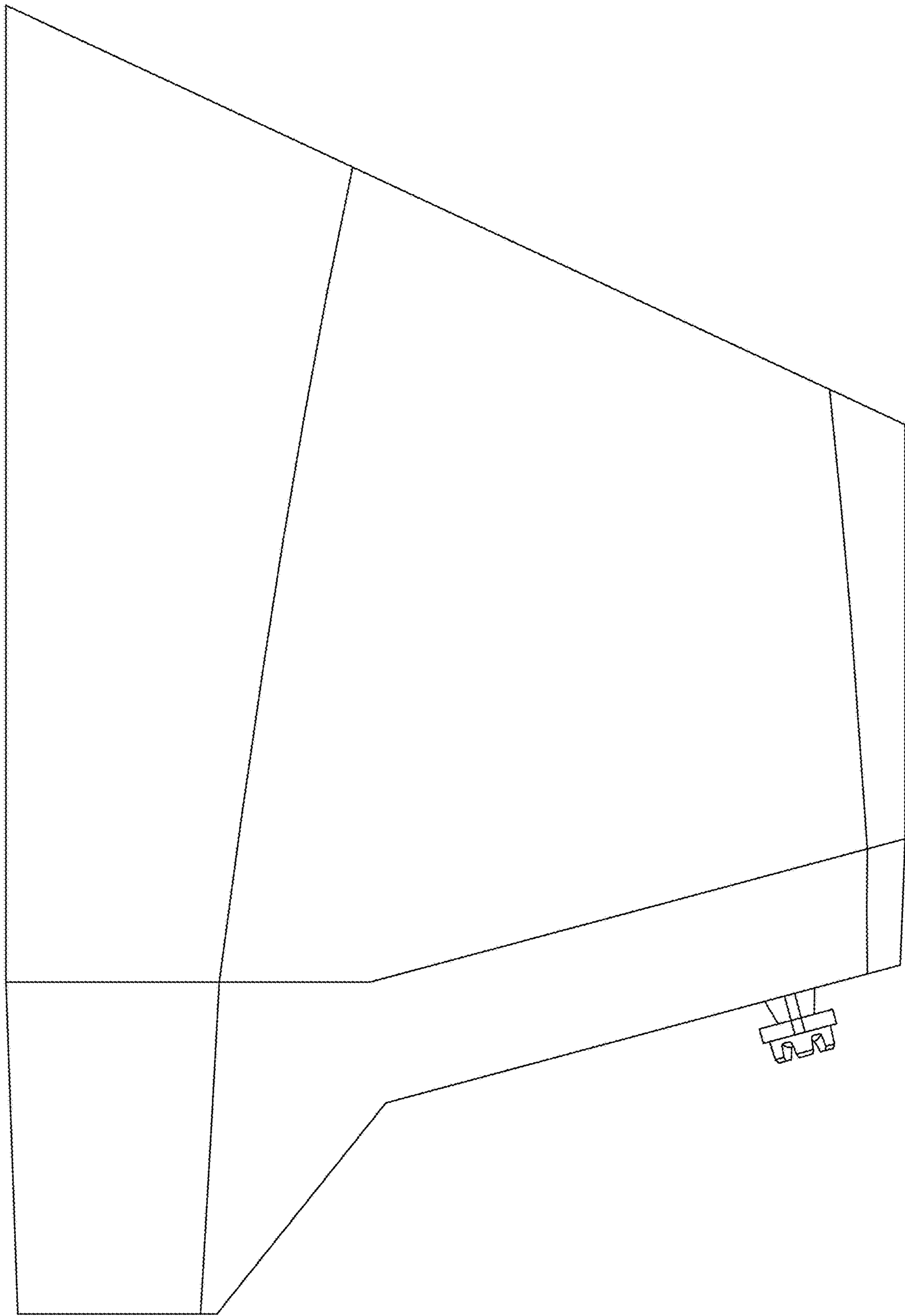


1.7

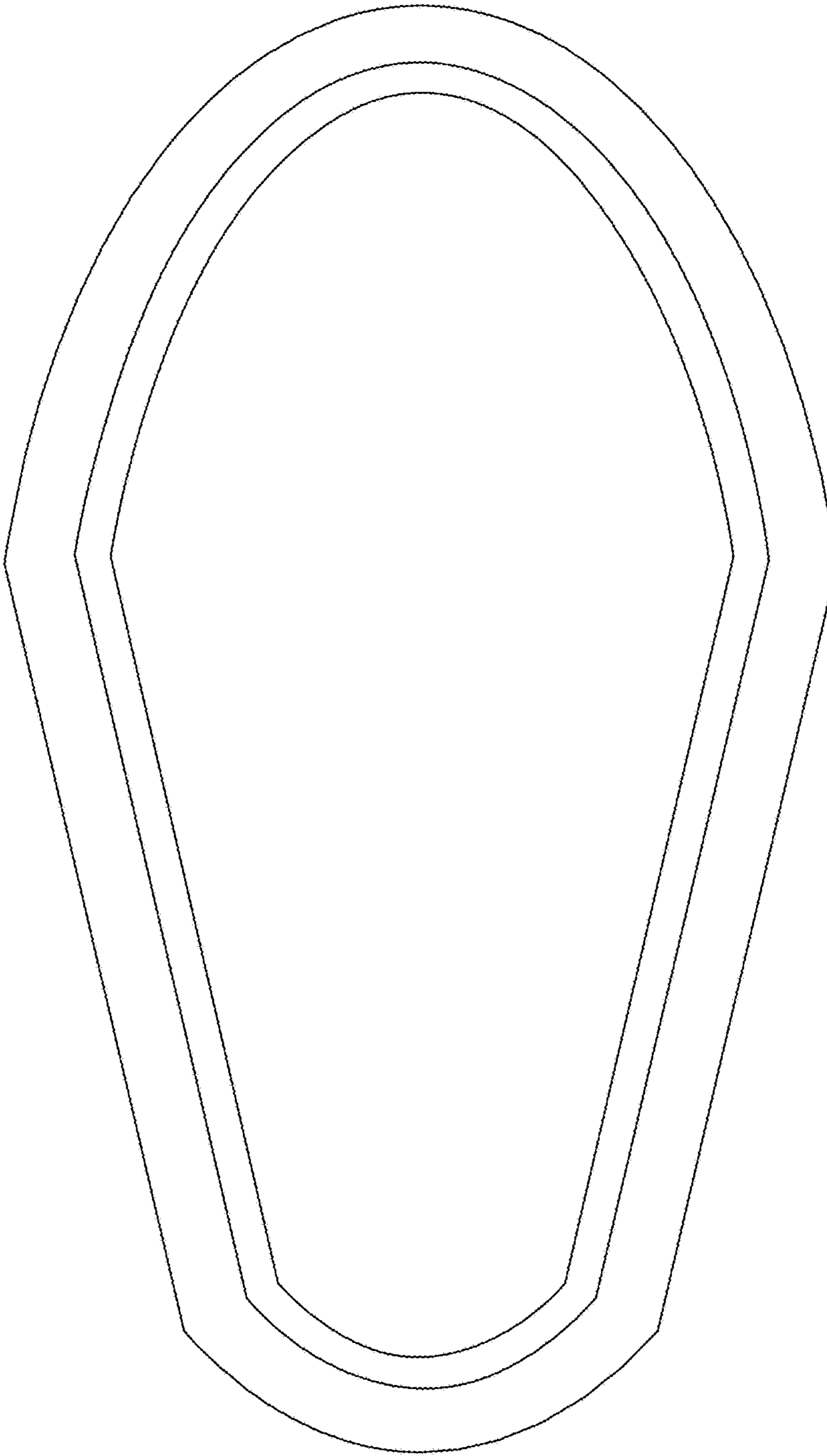




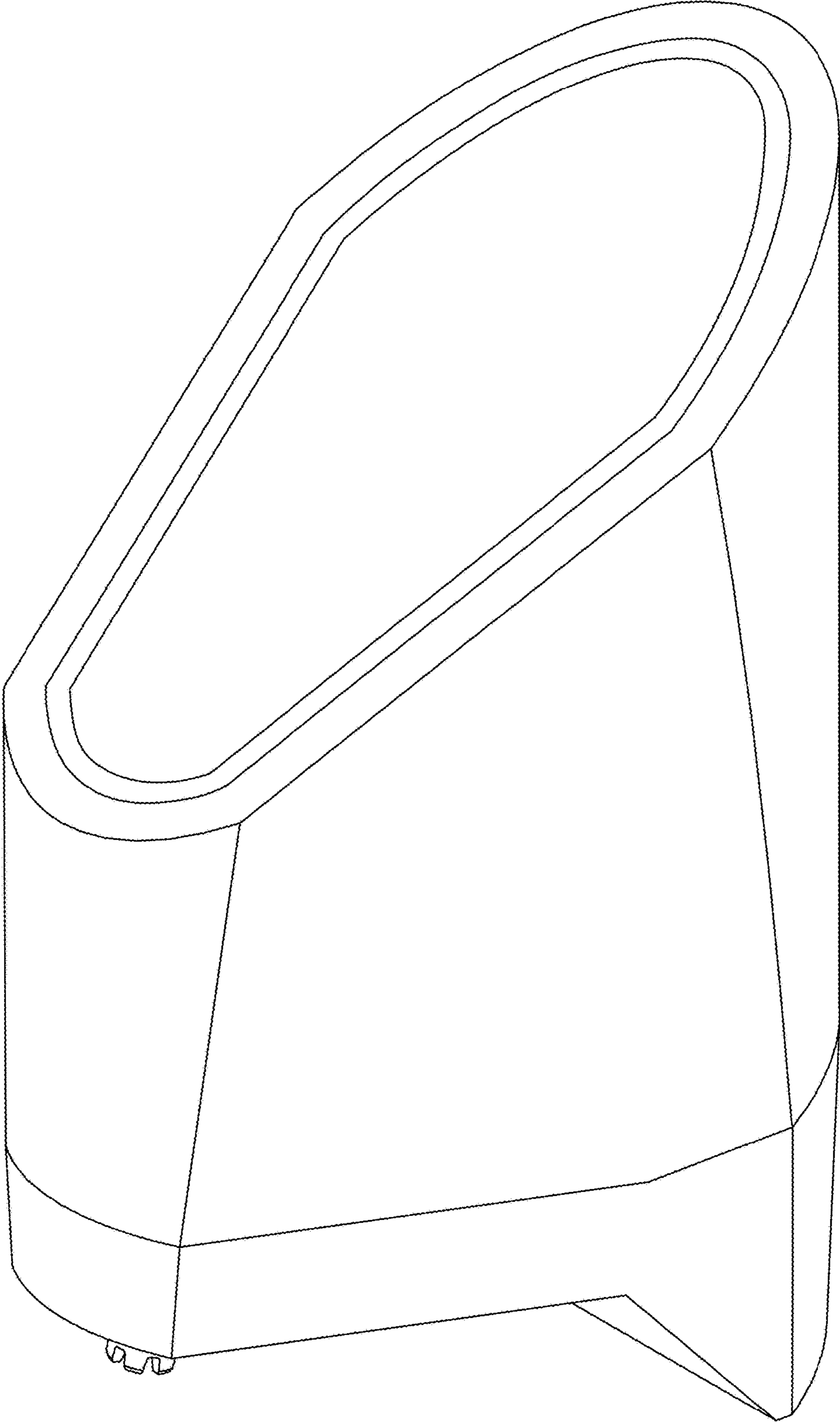
2.2



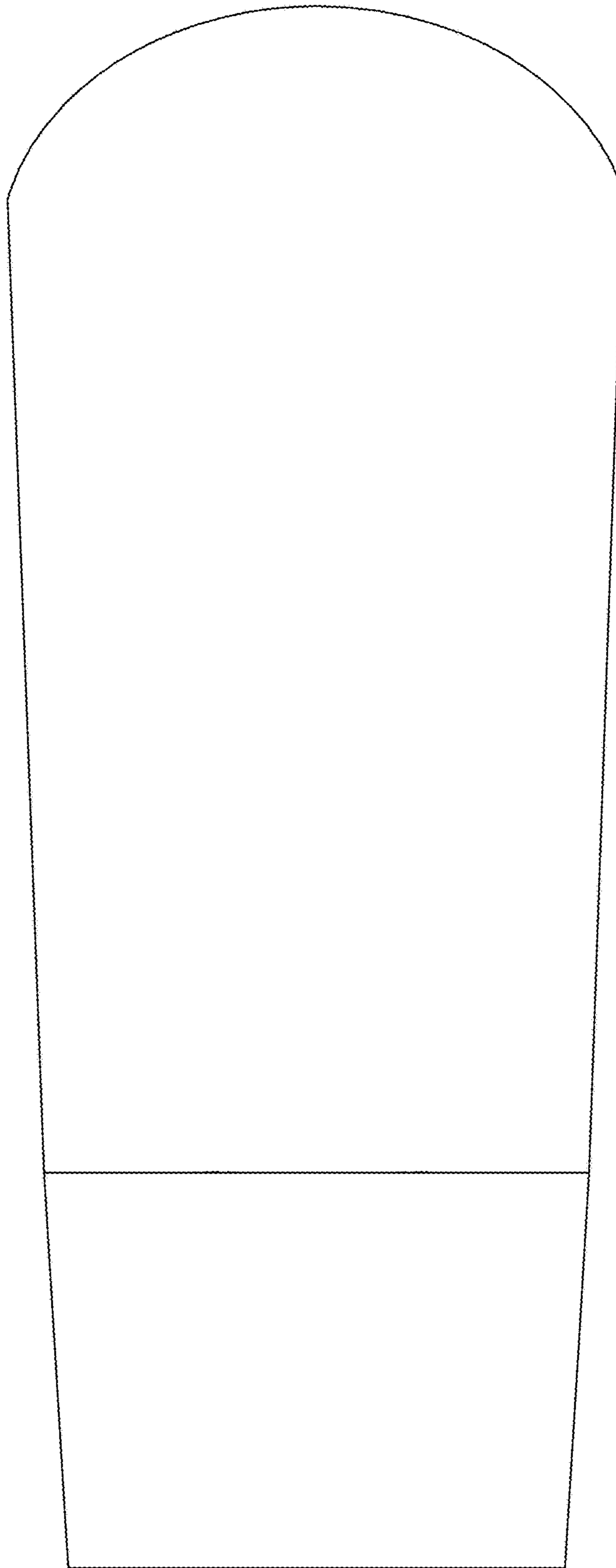
2.3



2.4



2.5



2.6

