



US00D839630S

(12) **United States Design Patent** (10) **Patent No.:** **US D839,630 S**
Gilor (45) **Date of Patent:** **** Feb. 5, 2019**

(54) **RAZOR STAND**
(71) Applicant: **Avraham Gilor**, San Diego, CA (US)
(72) Inventor: **Avraham Gilor**, San Diego, CA (US)
(**) Term: **15 Years**
(21) Appl. No.: **29/643,623**
(22) Filed: **Apr. 10, 2018**
(51) **LOC (11) Cl.** **28-03**
(52) **U.S. Cl.**
USPC **D6/526**
(58) **Field of Classification Search**
USPC D6/526, 527, 512, 524, 528, 534, 540;
211/13.1, 66, 70.6, 86.01, 87.01, 89.01;
D3/205; 206/244, 361, 362.1, 362.2,
206/362.3, 208, 209, 228, 252, 345-360,
206/493, 775; D9/373, 748, 749, 448;
248/127, 176.1, 200, 205.5, 309.1, 314;
30/42-46, 514; D16/202, 219, 242;
D13/108; D10/70; D24/186
CPC . B26B 19/3806; B26B 19/3853; B26B 21/52;
B26B 21/10; B26B 21/4006; B26B
21/522; B26B 21/40; B26B 21/36; B26B
19/14; B26B 19/38; B26B 19/382; B26B
19/3813; B65D 73/0064; B65D 73/0014;
B65D 77/26; B65D 85/1081; B65D
5/5016; B65D 71/70; B65D 25/106;
B65D 25/22
See application file for complete search history.

(56) **References Cited**
U.S. PATENT DOCUMENTS
D174,919 S * 6/1955 Paine D6/310
D210,135 S * 2/1968 Barber D6/534
4,141,445 A * 2/1979 Korich B65D 83/40
132/289
D278,777 S * 5/1985 Martin D6/534
D280,582 S * 9/1985 DelGarbino D28/73
D287,916 S * 1/1987 DelGarbino D6/567

D296,401 S * 6/1988 Danial D6/527
D305,083 S * 12/1989 White D6/526
D314,109 S * 1/1991 Jordan D6/528
D340,161 S * 10/1993 Regidor D6/528
D379,509 S * 5/1997 Macko D24/128
5,941,399 A * 8/1999 Wang F16B 12/32
211/187
D419,018 S * 1/2000 Jeynes D6/534
D424,350 S * 5/2000 Daansen D6/542
6,308,838 B1 * 10/2001 Endean A47F 7/08
211/205
D455,925 S * 4/2002 Carlson D6/531
6,382,436 B1 * 5/2002 Wang A47B 57/26
211/187
D458,576 S * 6/2002 McCoy D12/162
D474,057 S * 5/2003 Knox D6/534
6,585,119 B2 * 7/2003 Palder A47F 5/02
211/163
D719,013 S * 12/2014 St John D8/356
D725,999 S * 4/2015 Wu D8/373

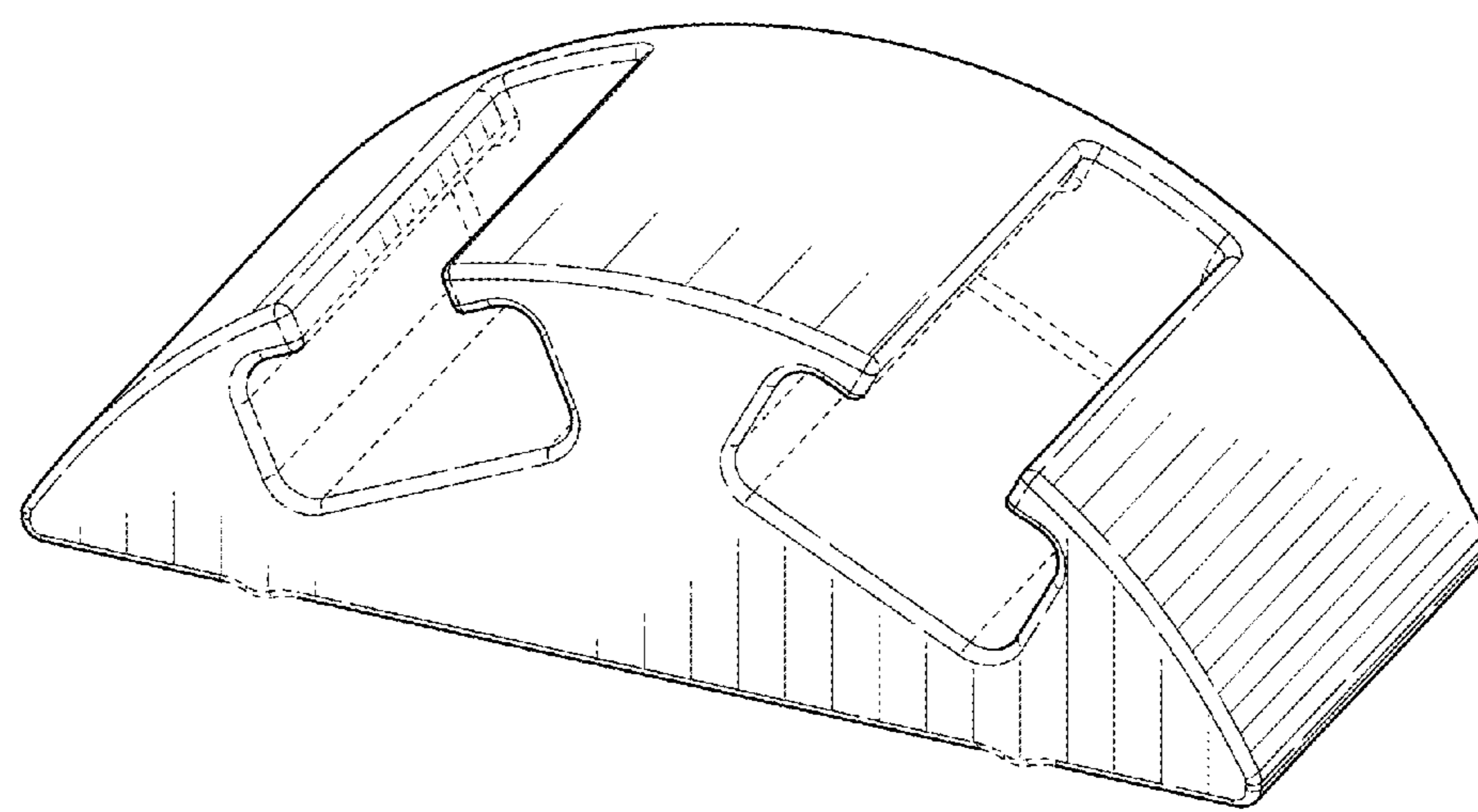
(Continued)

Primary Examiner — David G Muller
Assistant Examiner — Nathan M Johnston
(74) *Attorney, Agent, or Firm* — Klarquist Sparkman,
LLP

(57) **CLAIM**
The ornamental design for a razor stand, as shown and
described.

DESCRIPTION
FIG. 1 is a perspective view of the razor stand showing my
new design
FIG. 2 is a front elevation view thereof.
FIG. 3 is a rear elevation view thereof.
FIG. 4 is a right side elevation view thereof.
FIG. 5 is a left side elevation view thereof.
FIG. 6 is a top plan view thereof; and,
FIG. 7 is a bottom plan view thereof.
The broken lines shown in the drawings depict portions of
the razor stand that form no part of the claim.

1 Claim, 4 Drawing Sheets



(56)

References Cited

U.S. PATENT DOCUMENTS

D760,032 S *	6/2016	Thompson	D7/600.4
9,692,220 B2 *	6/2017	Schrader	F16L 3/12
9,920,858 B2 *	3/2018	Hametiaux	H02G 3/32
2011/0147542 A1 *	6/2011	Hoek	F16L 3/223 248/68.1

* cited by examiner

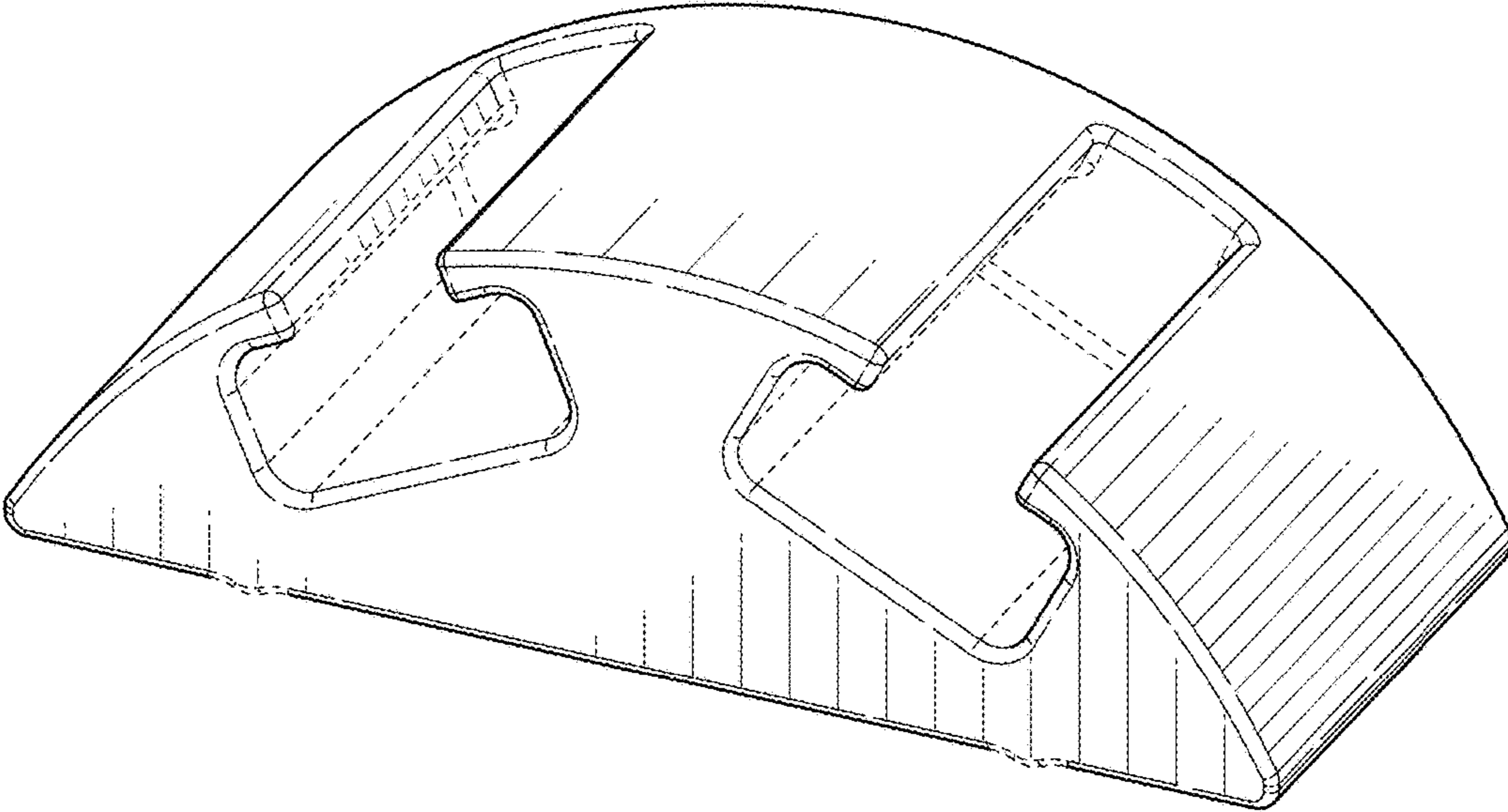


FIG. 1

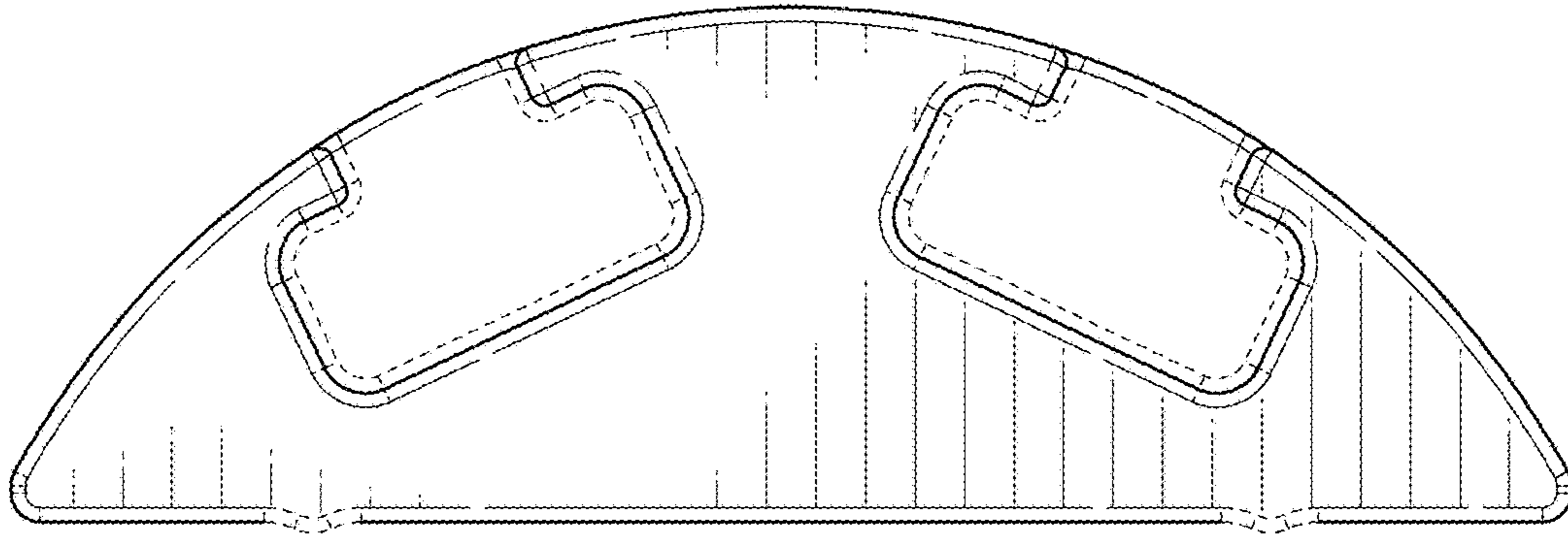


FIG. 2

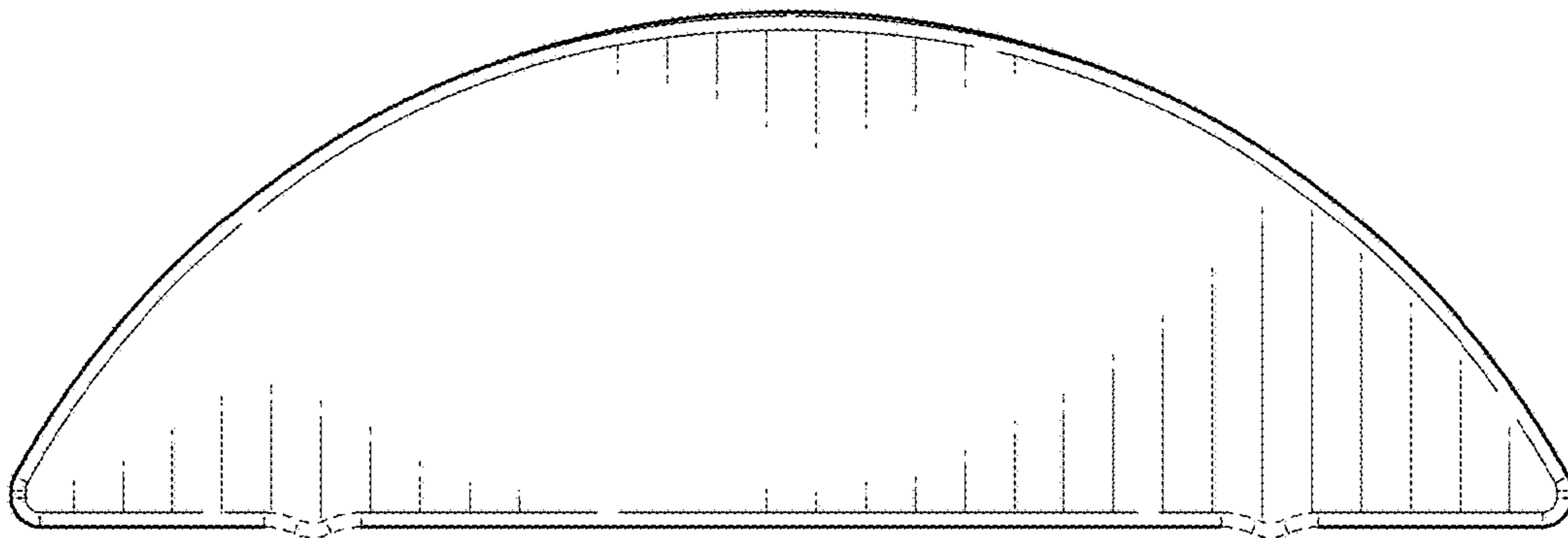


FIG. 3

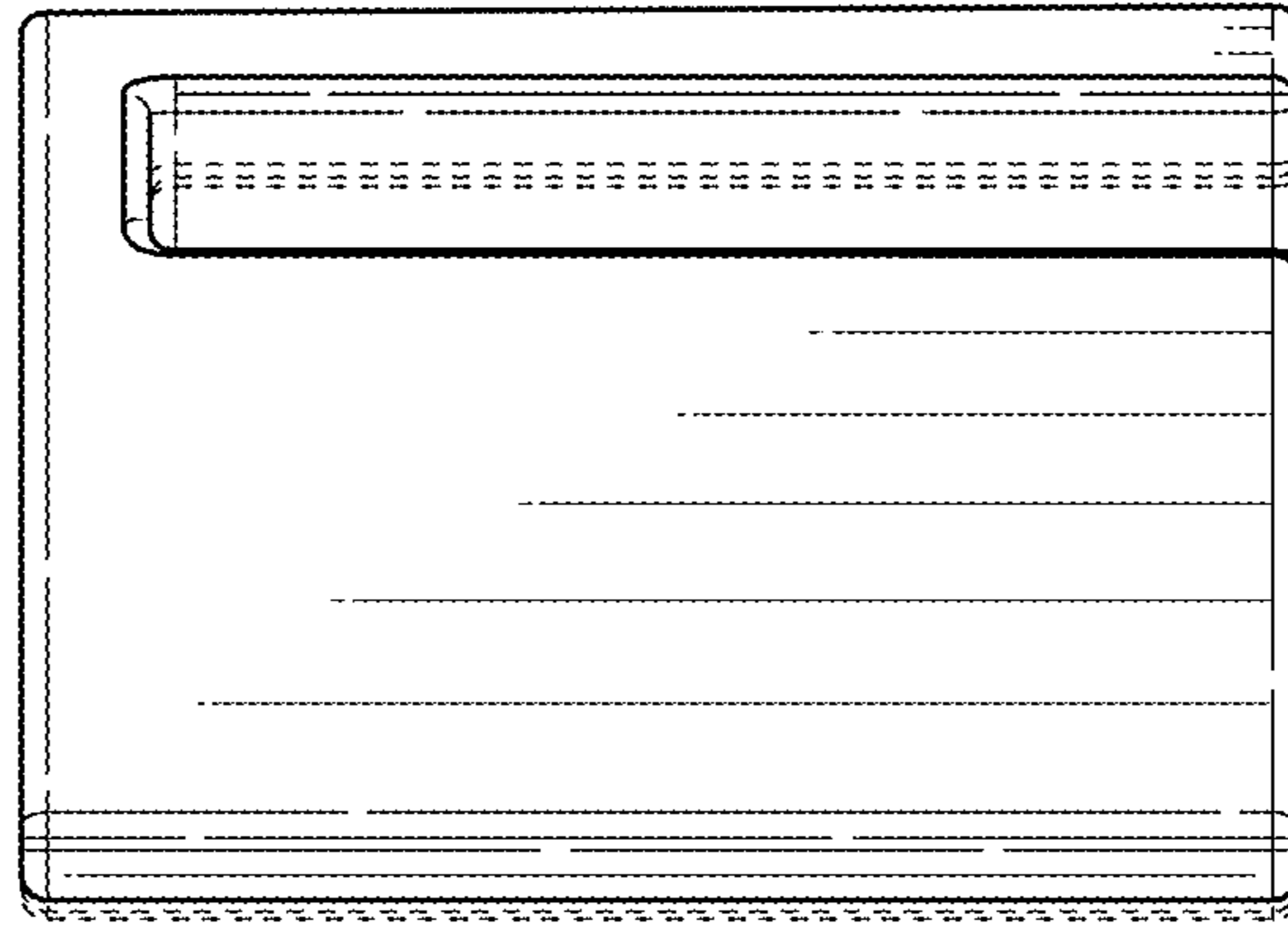


FIG. 4

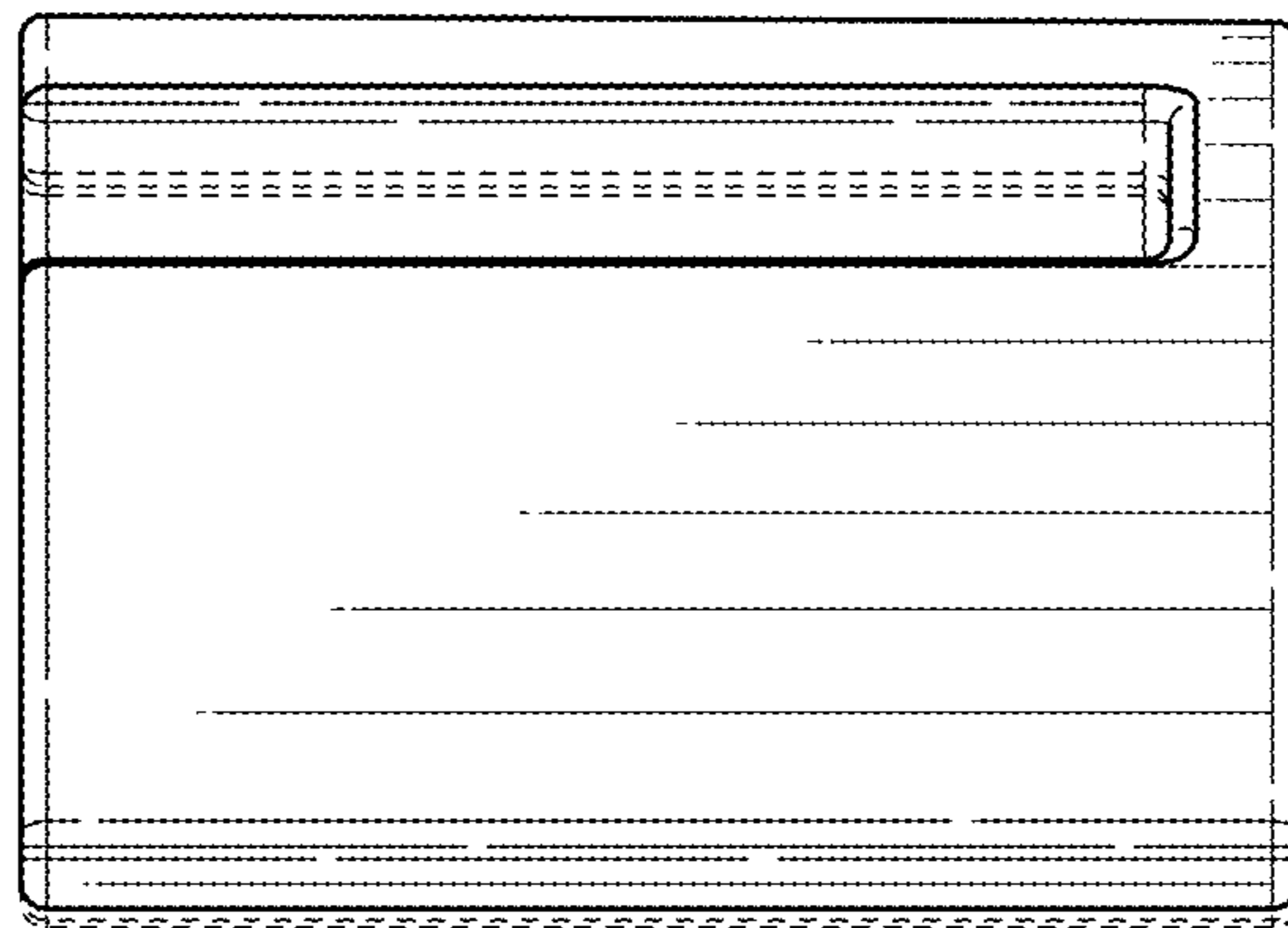


FIG. 5

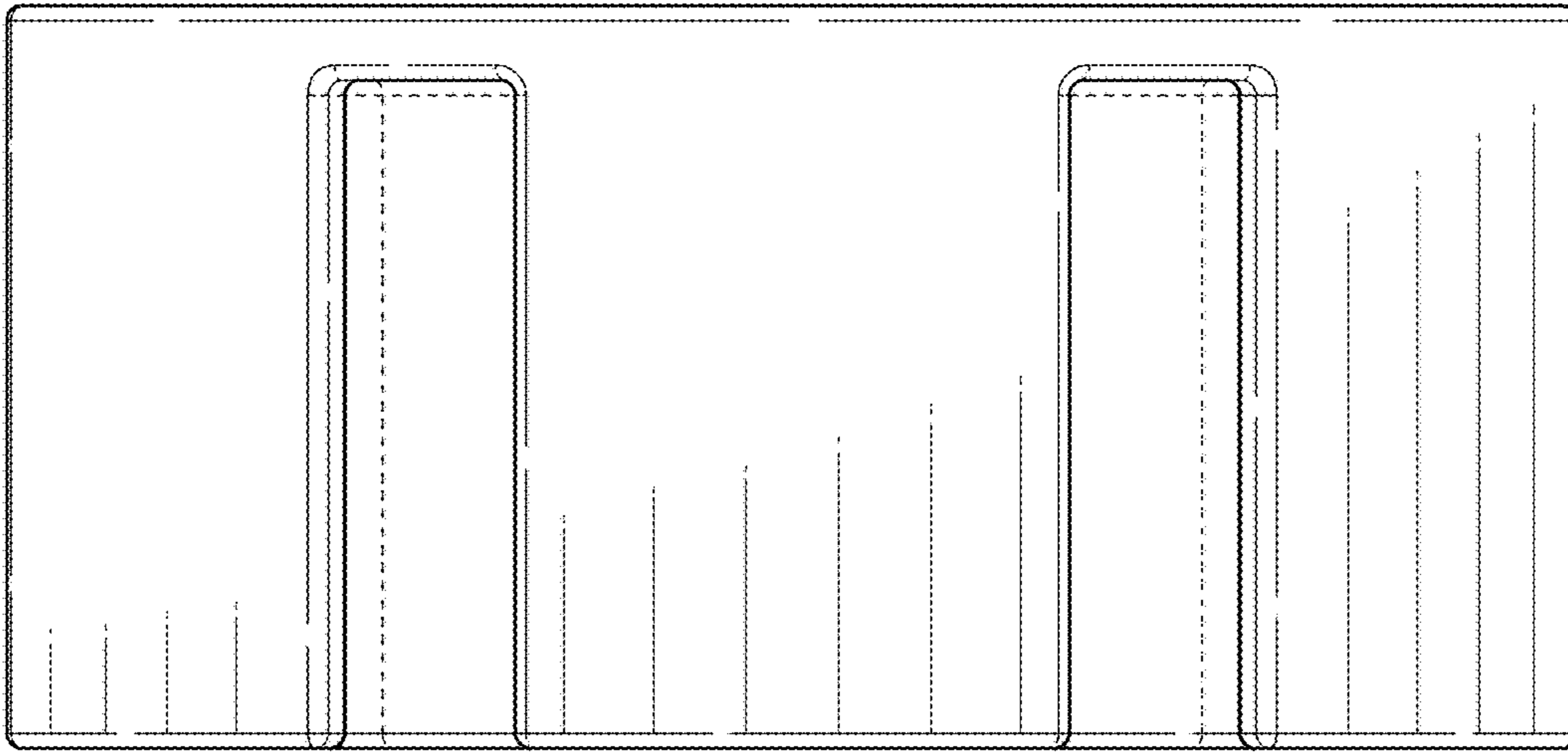


FIG. 6

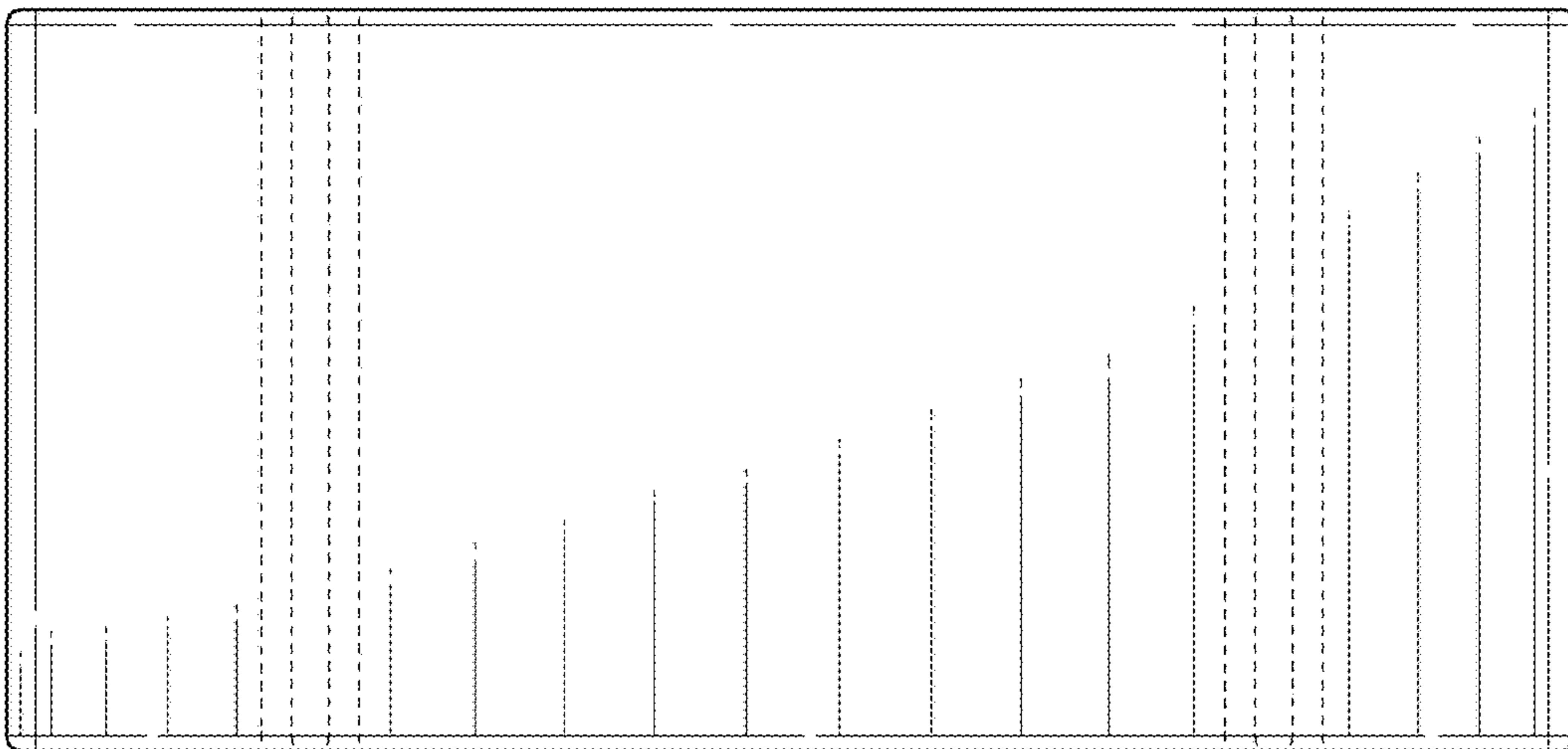


FIG. 7