



US00D839627S

(12) **United States Design Patent** (10) **Patent No.:** **US D839,627 S**
Watson et al. (45) **Date of Patent:** **** Feb. 5, 2019**

(54) **RAZOR STAND**

(71) Applicant: **The Gillette Company LLC**, Boston, MA (US)
(72) Inventors: **Brian Patrick Watson**, Marshfield, MA (US); **Christopher Ramm**, North Attleboro, MA (US)
(73) Assignee: **The Gillette Company LLC**, Boston, MA (US)

(**) Term: **15 Years**

(21) Appl. No.: **29/584,440**

(22) Filed: **Nov. 15, 2016**

(51) **LOC (11) Cl.** **28-03**

(52) **U.S. Cl.**
USPC **D6/526**

(58) **Field of Classification Search**
USPC D6/526, 527, 512, 524, 528, 534, 540; D3/201, 205; D9/737, 748, 749, 448; 206/244, 352, 361, 362.1, 362.2, 362.3, 206/208, 209, 228, 252, 354-360, 493, 206/775; 30/42-46, 514; 211/13.1, 66, 211/70.6, 86.01, 87.01, 89.01; 248/127, 248/176.1, 200, 205.5, 309.1, 314; D16/202, 219, 242; D13/108; D10/70; D24/186

CPC . B26B 19/3806; B26B 19/3853; B26B 21/52; B26B 21/10; B26B 21/4006; B26B 21/522; B26B 21/40; B26B 21/36; B26B 19/14; B26B 19/38; B26B 19/382; B26B 19/3813; B65D 73/0064; B65D 73/0014; B65D 77/26; B65D 85/1081; B65D 5/5016; B65D 71/70; B65D 25/106; B65D 25/22

See application file for complete search history.

(56) **References Cited**

U.S. PATENT DOCUMENTS

D529,533 S * 10/2006 Oh D16/242
D544,264 S 6/2007 Gallagher

D557,320 S * 12/2007 Fisher D16/219
D557,321 S * 12/2007 Fisher D16/219
D564,272 S * 3/2008 Quach D6/526
D572,063 S 7/2008 Provost et al.
D576,436 S * 9/2008 Provost D6/526
D577,998 S * 10/2008 Decottignies D9/448
D634,955 S 3/2011 Cavazos Jimenez et al.
D657,740 S * 4/2012 Prat-Pfister D13/108
D675,048 S 1/2013 Coresh
D677,090 S 3/2013 Floyd et al.
D677,503 S 3/2013 Floyd et al.
D695,544 S 12/2013 Floyd et al.
D695,545 S 12/2013 Floyd et al.

(Continued)

OTHER PUBLICATIONS

U.S. Appl. No. 29/584,441, filed Nov. 15, 2016, Oliver Felix Grabes et al.

Primary Examiner — Wan Laymon

Assistant Examiner — Mark Booker

(74) *Attorney, Agent, or Firm* — Kevin C. Johnson

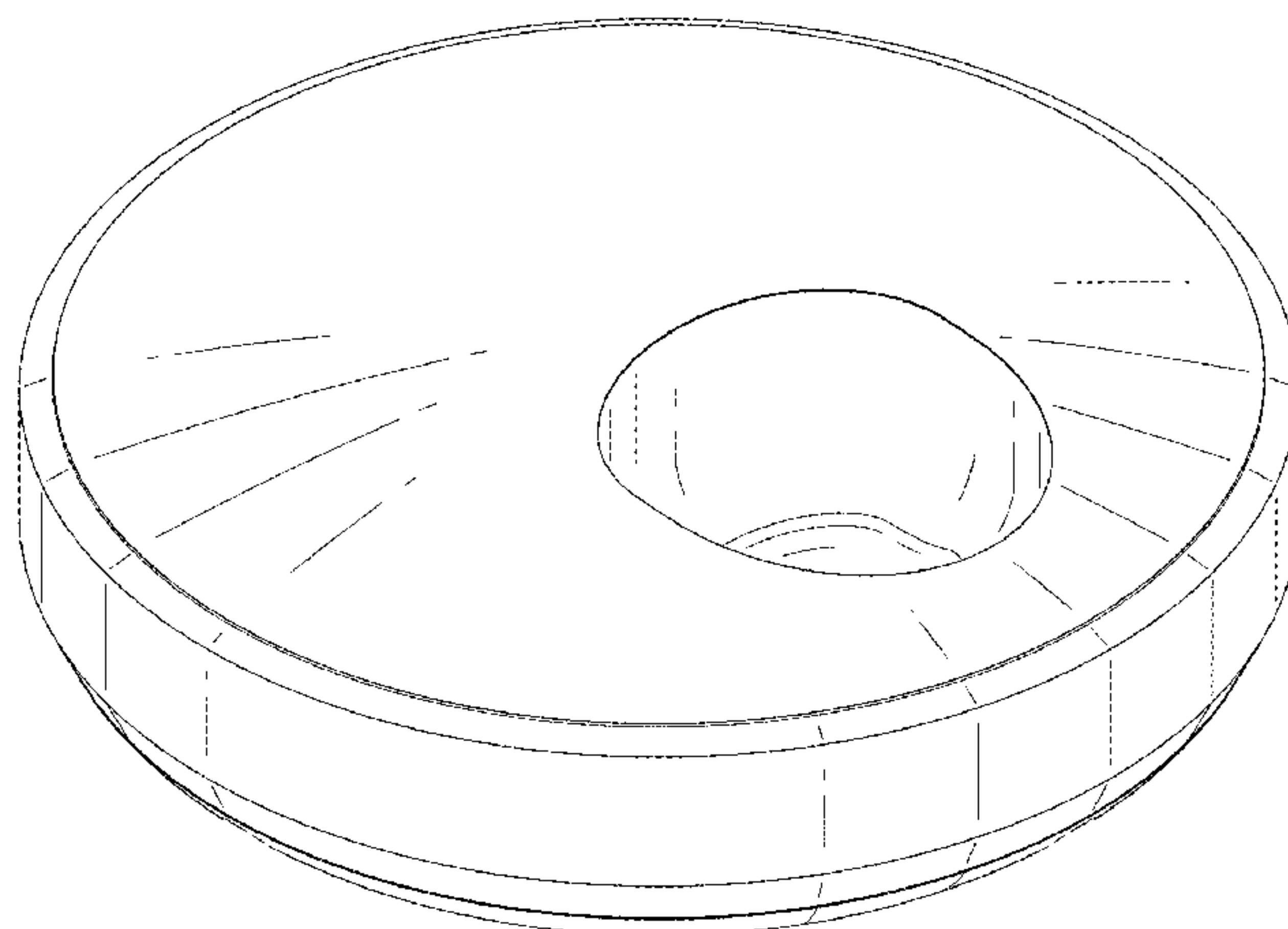
(57) **CLAIM**

The ornamental design for a razor stand, as shown and described.

DESCRIPTION

FIG. 1 is a perspective view of a razor stand showing our new design;
FIG. 2 is a front view thereof;
FIG. 3 is a rear view thereof;
FIG. 4 is a right side view thereof;
FIG. 5 is a left side view thereof;
FIG. 6 is a top view thereof;
FIG. 7 is a bottom view thereof; and,
FIG. 8 is another perspective view thereof.
The broken lines shown in the figures represent portions of the razor stand that form no part of the claimed design.

1 Claim, 6 Drawing Sheets



(56)

References Cited

U.S. PATENT DOCUMENTS

D699,473 S	2/2014	Szczepanowski et al.	
D745,916 S *	12/2015	Oh	D16/134
D776,180 S *	1/2017	Fiedler	D16/202
D783,838 S *	4/2017	Zhao	D24/186
D790,372 S *	6/2017	Daoura	10/104.1

* cited by examiner

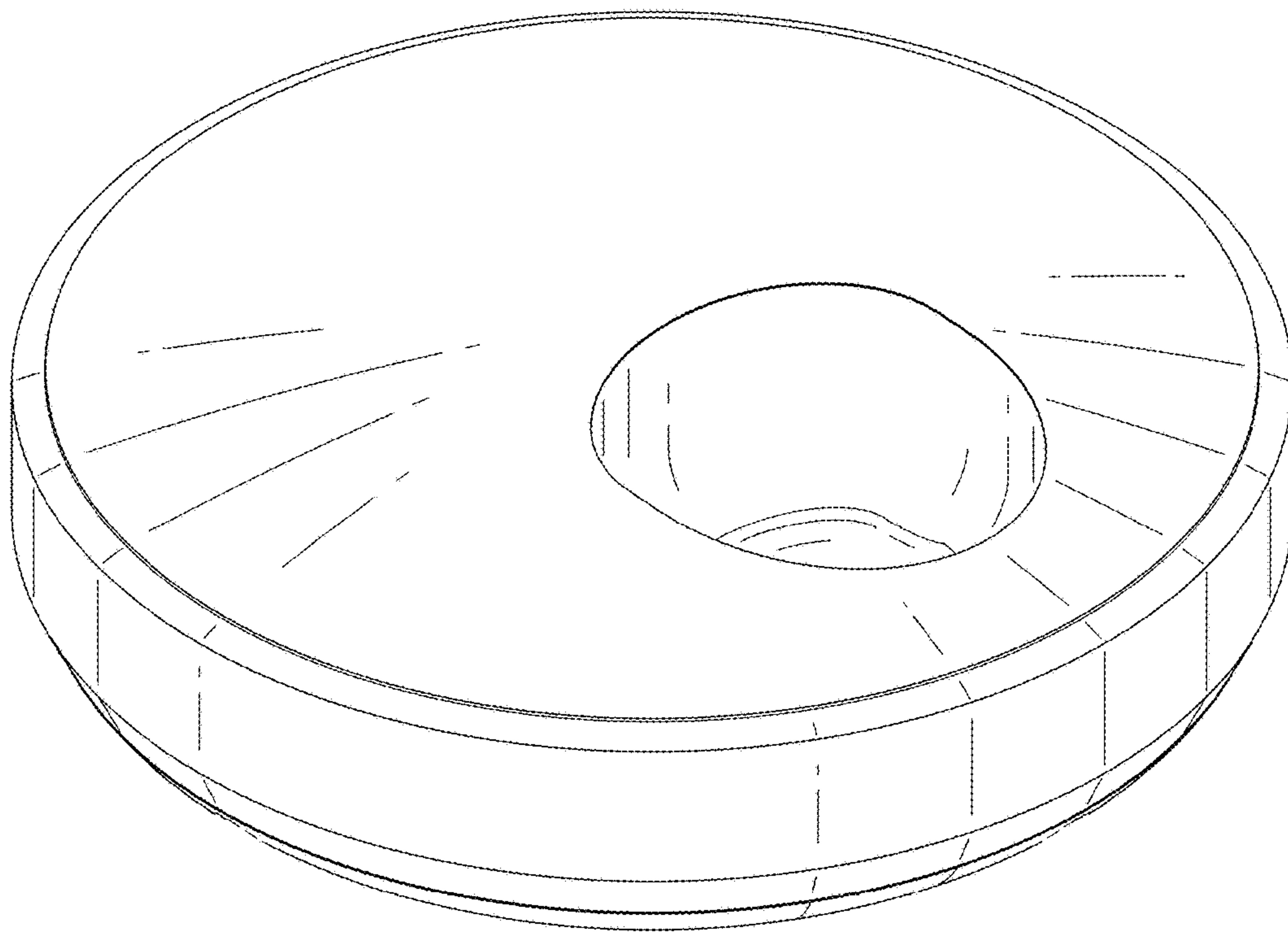


FIG. 1

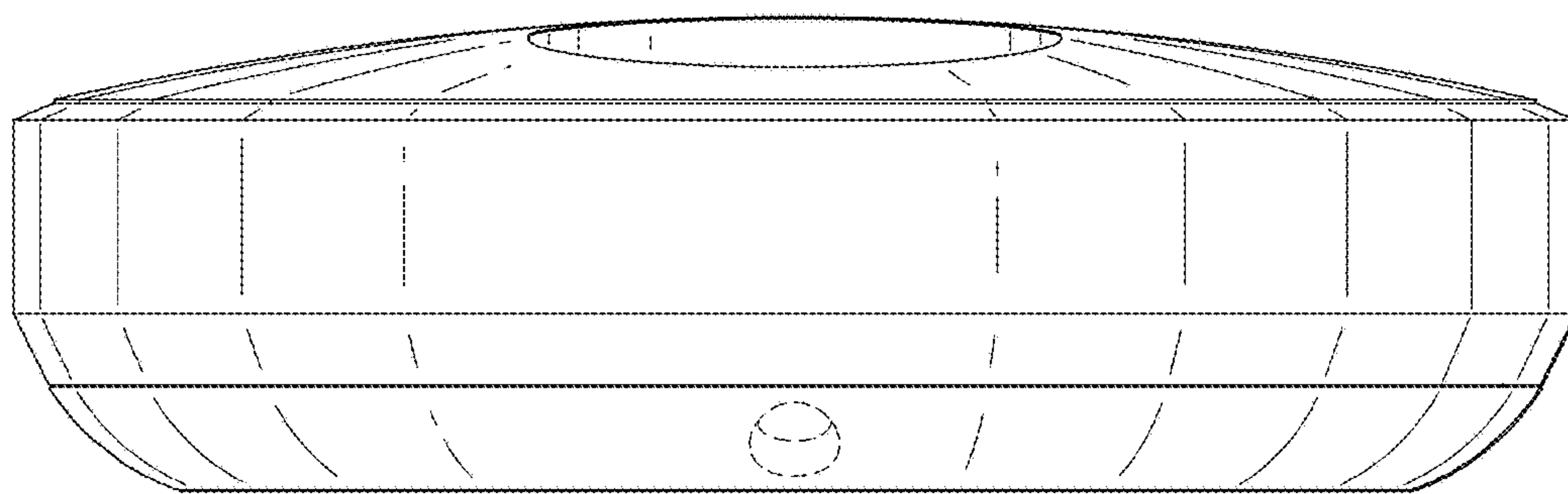


FIG. 2

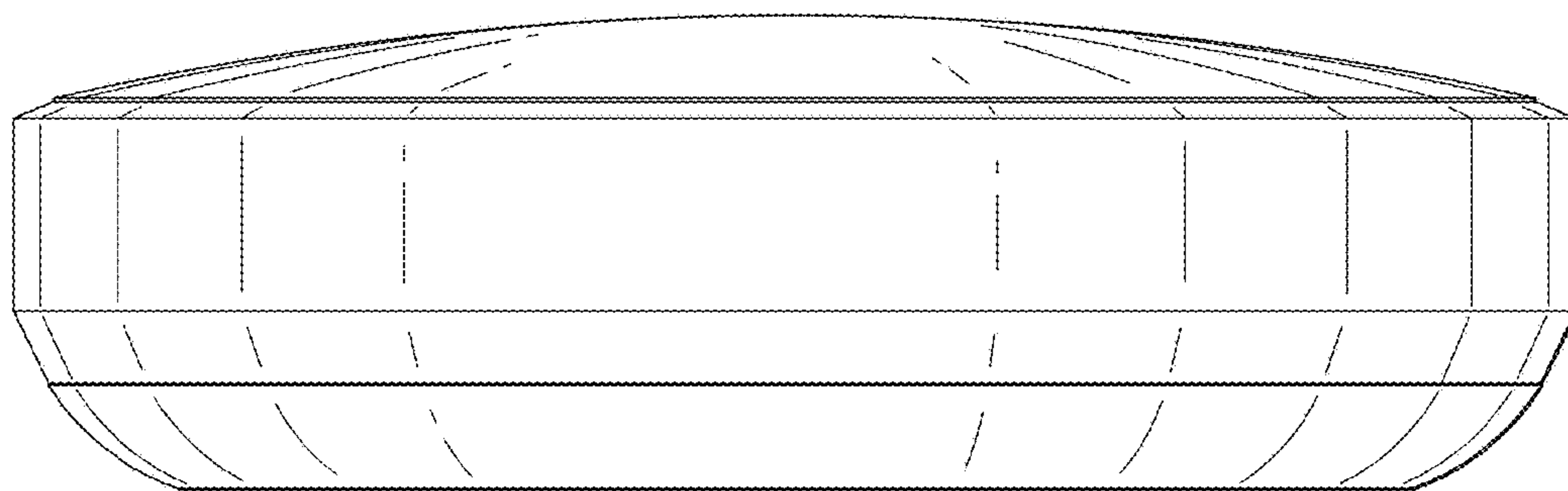


FIG. 3

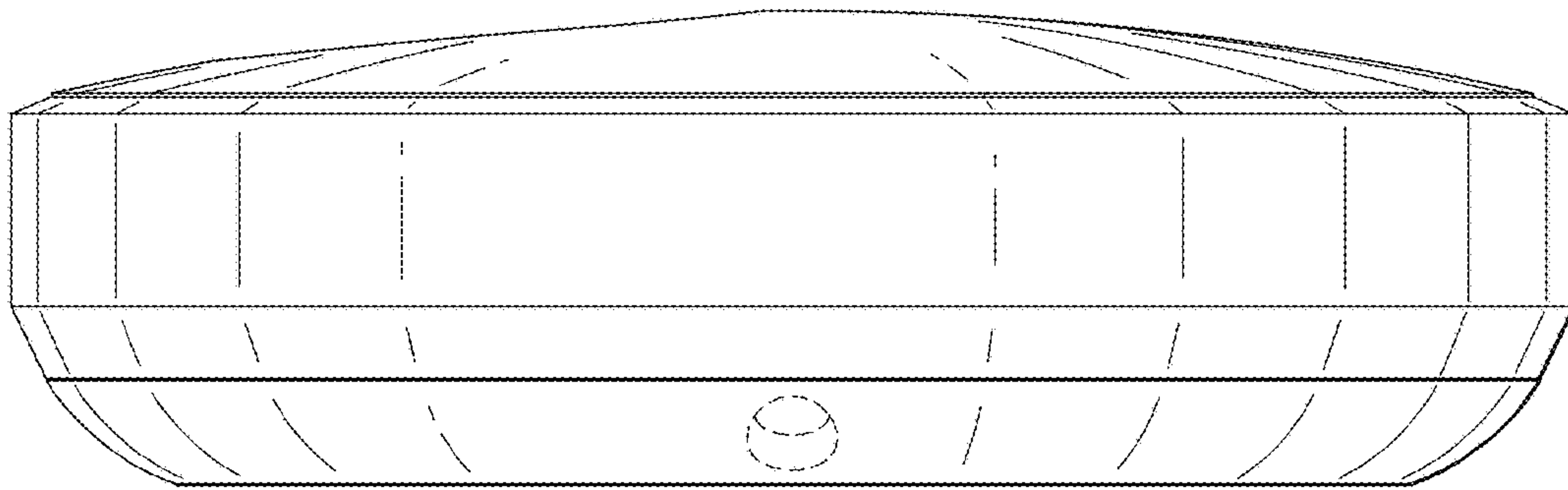


FIG. 4

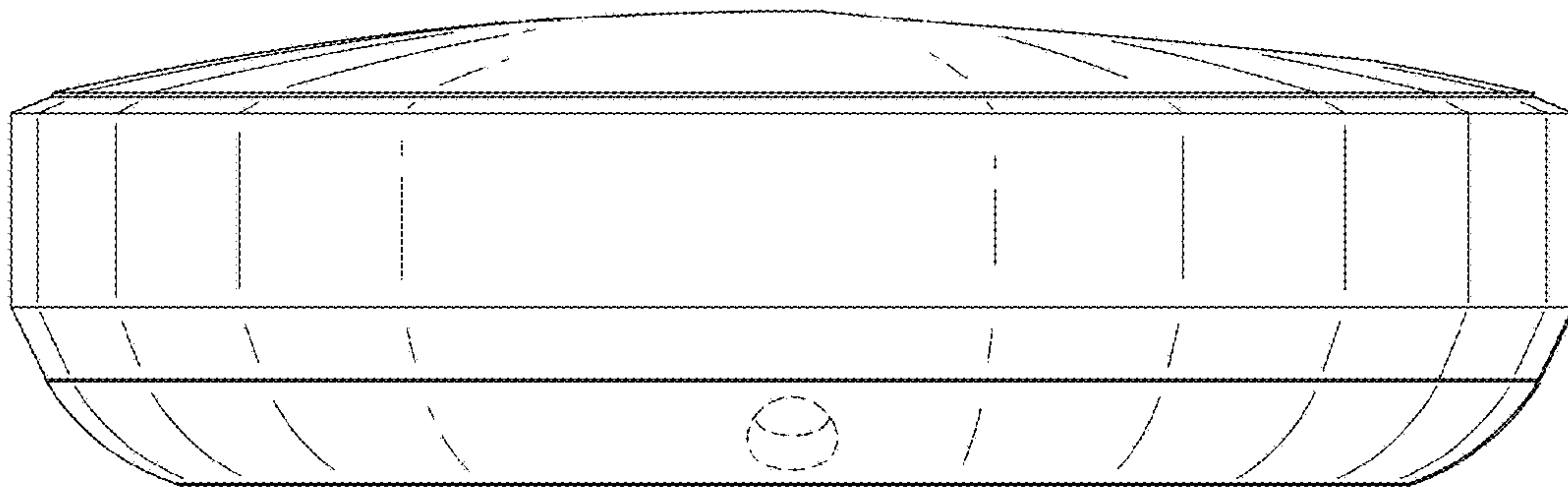


FIG. 5

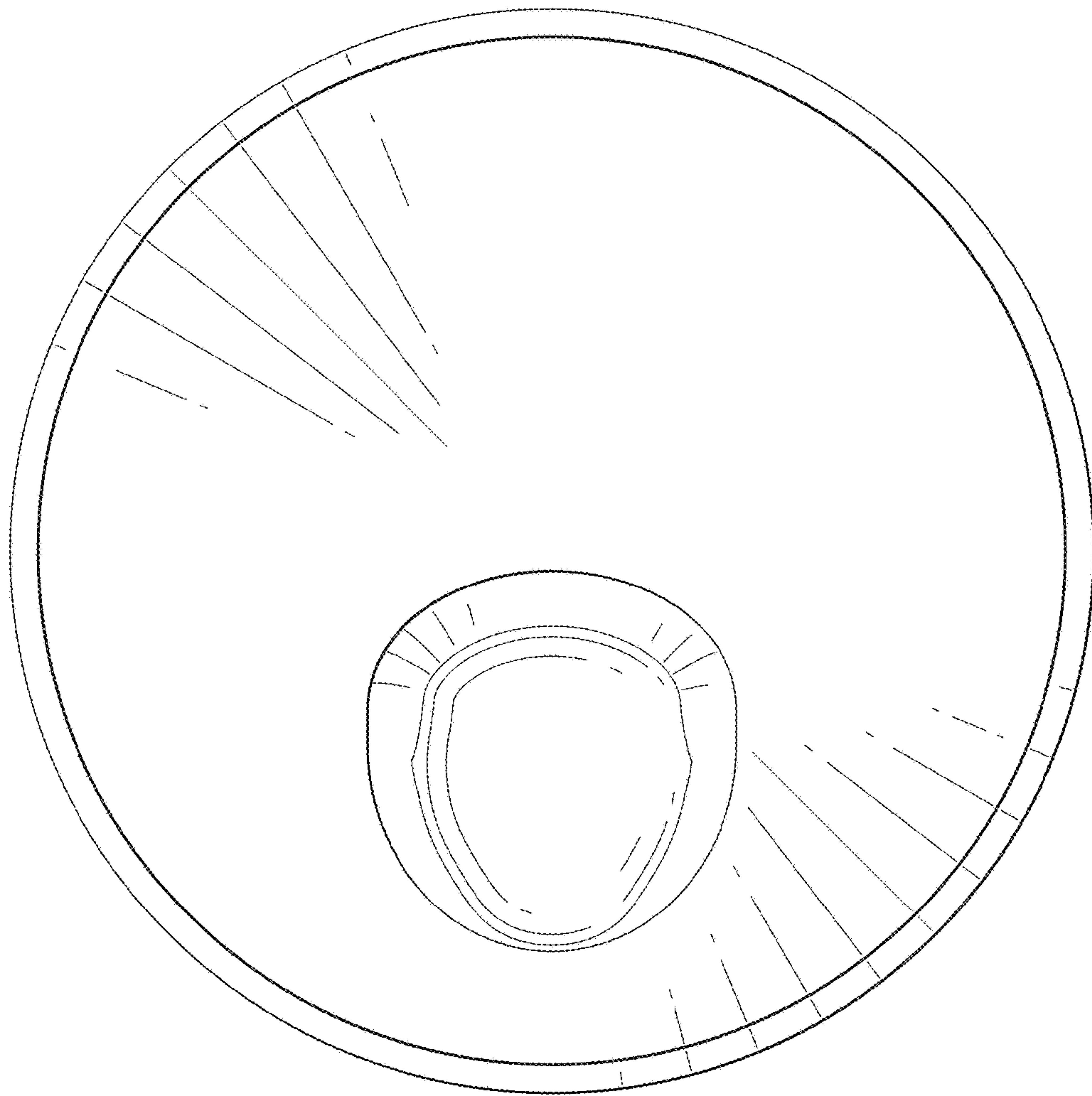


FIG. 6

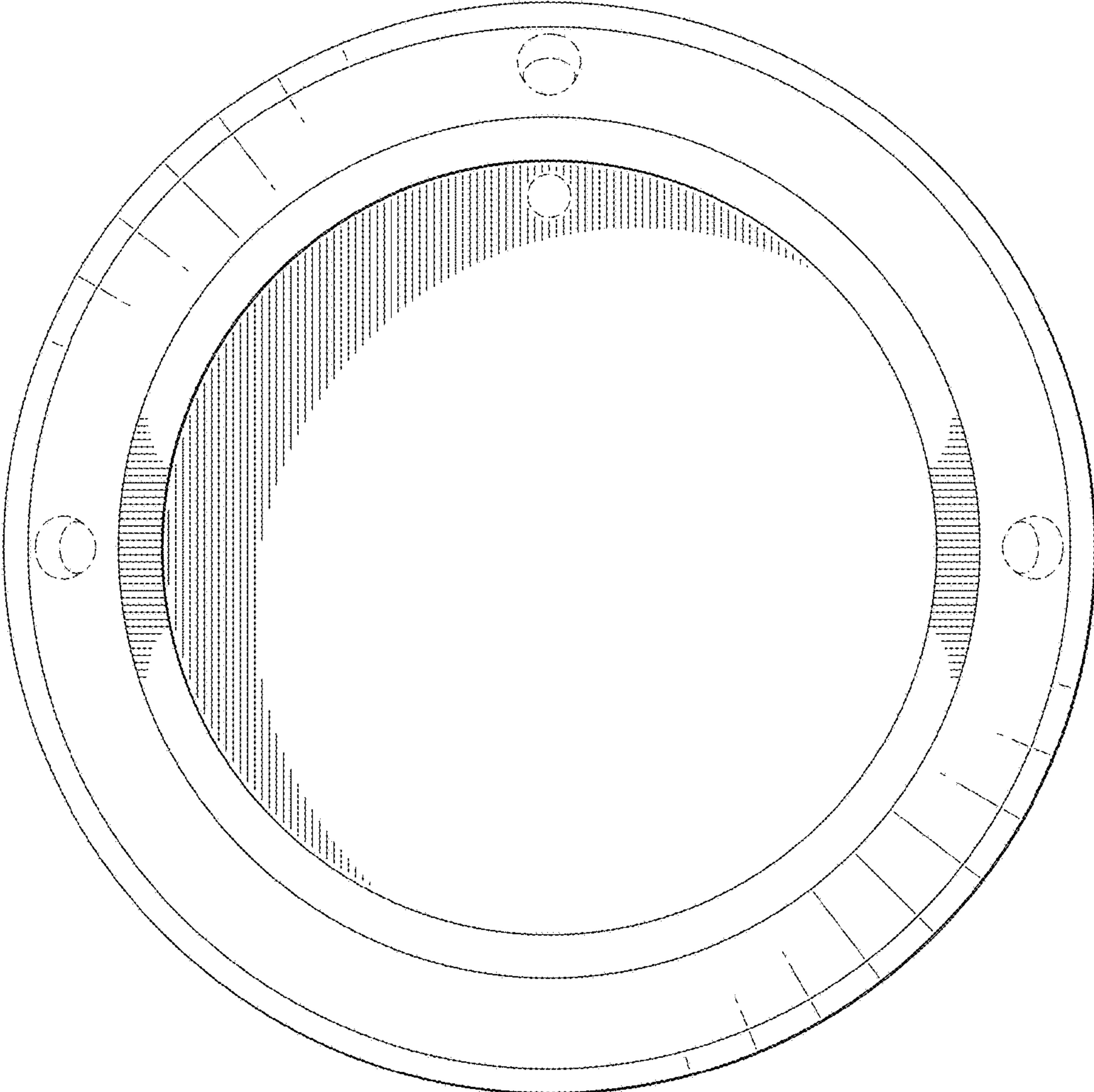


FIG. 7

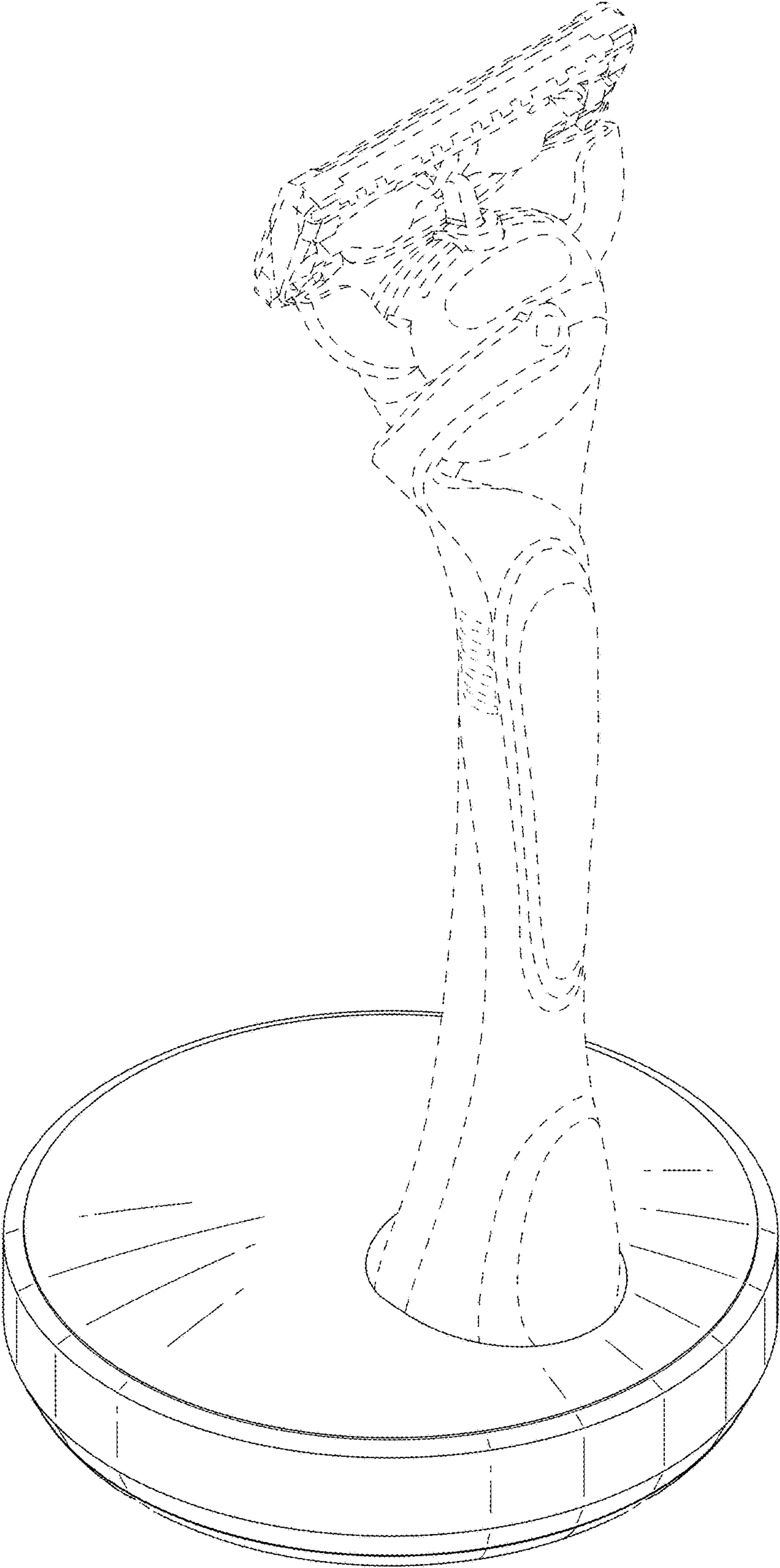


FIG. 8