



US00D839626S

(12) **United States Design Patent** (10) **Patent No.:** **US D839,626 S**  
**Stone** (45) **Date of Patent:** **\*\* Feb. 5, 2019**

(54) **BED**  
(71) Applicant: **Anthony Stone**, Bradenton, FL (US)  
(72) Inventor: **Anthony Stone**, Bradenton, FL (US)  
(\*\*) Term: **15 Years**  
(21) Appl. No.: **29/642,230**  
(22) Filed: **Mar. 28, 2018**

D244,114 S \* 4/1977 Neff ..... D6/691.8  
D252,542 S \* 8/1979 Lewis ..... D6/384  
D252,902 S \* 9/1979 Ungaro ..... D6/691.8  
D255,963 S \* 7/1980 Baker ..... D6/394  
D256,527 S \* 8/1980 Guetat ..... D6/384  
D281,555 S \* 12/1985 Levy ..... D6/406.6  
5,020,169 A \* 6/1991 Hamada ..... A47C 17/84  
5/10.2  
D343,069 S \* 1/1994 Trudo ..... D6/336  
D345,061 S \* 3/1994 Tyng ..... D6/393  
D375,218 S \* 11/1996 Sharp ..... D6/312

(Continued)

**Related U.S. Application Data**

(62) Division of application No. 29/608,168, filed on Jun. 20, 2017, now Pat. No. Des. 816,367.  
(51) **LOC (11) Cl.** ..... **06-02**  
(52) **U.S. Cl.**  
USPC ..... **D6/393**  
(58) **Field of Classification Search**  
USPC ..... D6/382-384, 393-395, 717, 718.11,  
D6/718.13, 718.25, 719, 718, 718.14  
CPC ..... A47C 19/021; A47C 19/04; A47C 19/045;  
A47C 19/22; A47C 19/022; A47C  
19/027; A47C 19/20  
See application file for complete search history.

**OTHER PUBLICATIONS**

Boraam End Table, Amazon, review date Sep. 11, 2013, site visited Jul. 23, 2018, available online at [https://www.amazon.com/Boraam-33511-Zebra-Alborg-Walnut/dp/B00D6D1XTK/ref=br\\_1f\\_m\\_2r8fo36bduyd6we\\_ttl?\\_encoding=UTF8&s=furniture](https://www.amazon.com/Boraam-33511-Zebra-Alborg-Walnut/dp/B00D6D1XTK/ref=br_1f_m_2r8fo36bduyd6we_ttl?_encoding=UTF8&s=furniture) (Year: 2013).\*

*Primary Examiner* — Cathron C Brooks  
(74) *Attorney, Agent, or Firm* — Allen Dyer Doppelt & Gilchrist

(56) **References Cited**

**U.S. PATENT DOCUMENTS**

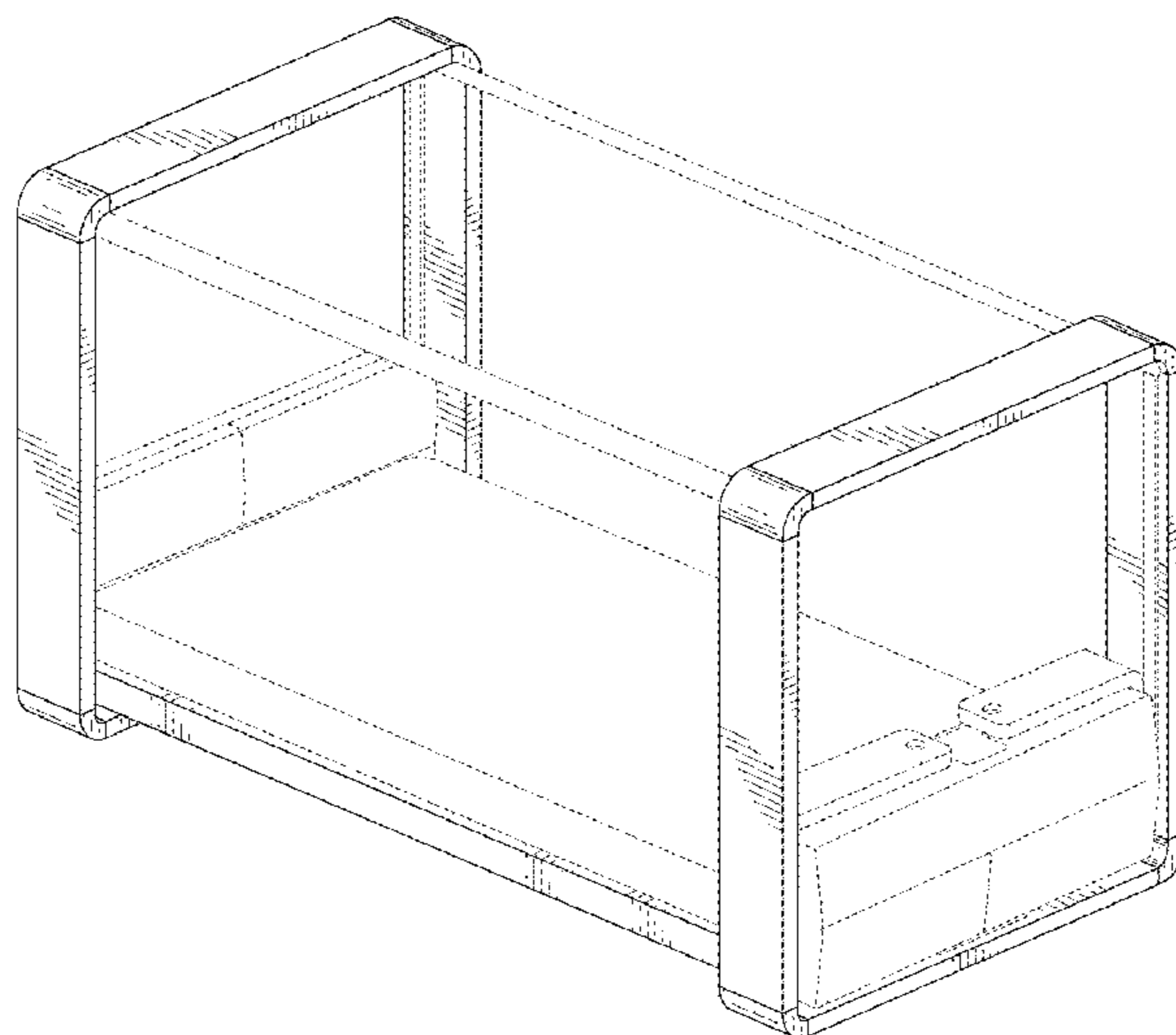
D90,710 S \* 9/1933 Goodman ..... 108/25  
D93,440 S \* 10/1934 Bel Geddes et al. .... D6/393  
2,717,815 A \* 9/1955 Hubbard ..... A47B 13/08  
108/161  
3,316,564 A \* 5/1967 Rogers, Jr. .... A47C 15/002  
312/209  
D217,261 S \* 4/1970 Gianfagna ..... D6/691.8  
D220,704 S \* 5/1971 Kramer ..... D6/691.8  
3,735,979 A \* 5/1973 Levenberg ..... A63B 9/00  
482/143  
D228,990 S \* 11/1973 Villanova ..... D6/384  
D236,787 S \* 9/1975 Stirling ..... D6/675.1  
D237,332 S \* 10/1975 Laylon ..... D6/373

(57) **CLAIM**  
The ornamental design for a bed, as shown and described.

**DESCRIPTION**

FIG. 1 is a top, right, first end perspective view of the design; FIG. 2 is a bottom, left, second end perspective view of the design of FIG. 1; FIG. 3 is a top view of the design of FIG. 1; FIG. 4 is a bottom view of the design of FIG. 1; FIG. 5 is a second end view of the design of FIG. 1; FIG. 6 is a first end view of the design of FIG. 1; and, FIG. 7 is a left side view of the design of FIG. 1, the right side view being a mirror image thereof. The broken lines illustrate portions of the bed that form no part of the claimed design.

**1 Claim, 7 Drawing Sheets**



(56)

**References Cited**

U.S. PATENT DOCUMENTS

5,768,722 A \* 6/1998 Olson ..... A47C 19/20  
135/119  
D400,025 S \* 10/1998 Lightner ..... D6/384  
D416,150 S \* 11/1999 Zaidman ..... D6/718.13  
6,353,945 B1 \* 3/2002 Jannetides ..... A47C 17/86  
5/2.1  
6,938,288 B2 \* 9/2005 Hunter ..... A47C 17/645  
5/110  
D510,492 S \* 10/2005 Sakurai ..... D6/709  
D558,489 S \* 1/2008 Christensen ..... D6/691.5  
D584,542 S \* 1/2009 Martin ..... D6/656  
D588,380 S \* 3/2009 Bucholz ..... D6/691.5  
D608,568 S \* 1/2010 Manz ..... D6/691.5  
D614,889 S \* 5/2010 Van Duysen ..... D6/691.5  
D616,226 S \* 5/2010 Calco ..... D6/675.1  
D645,273 S \* 9/2011 Sakakibara ..... D6/383  
D703,465 S \* 4/2014 Weatherly ..... D6/656.16  
D748,422 S \* 2/2016 Paz ..... D6/717  
D816,367 S \* 5/2018 Stone ..... D6/384

\* cited by examiner

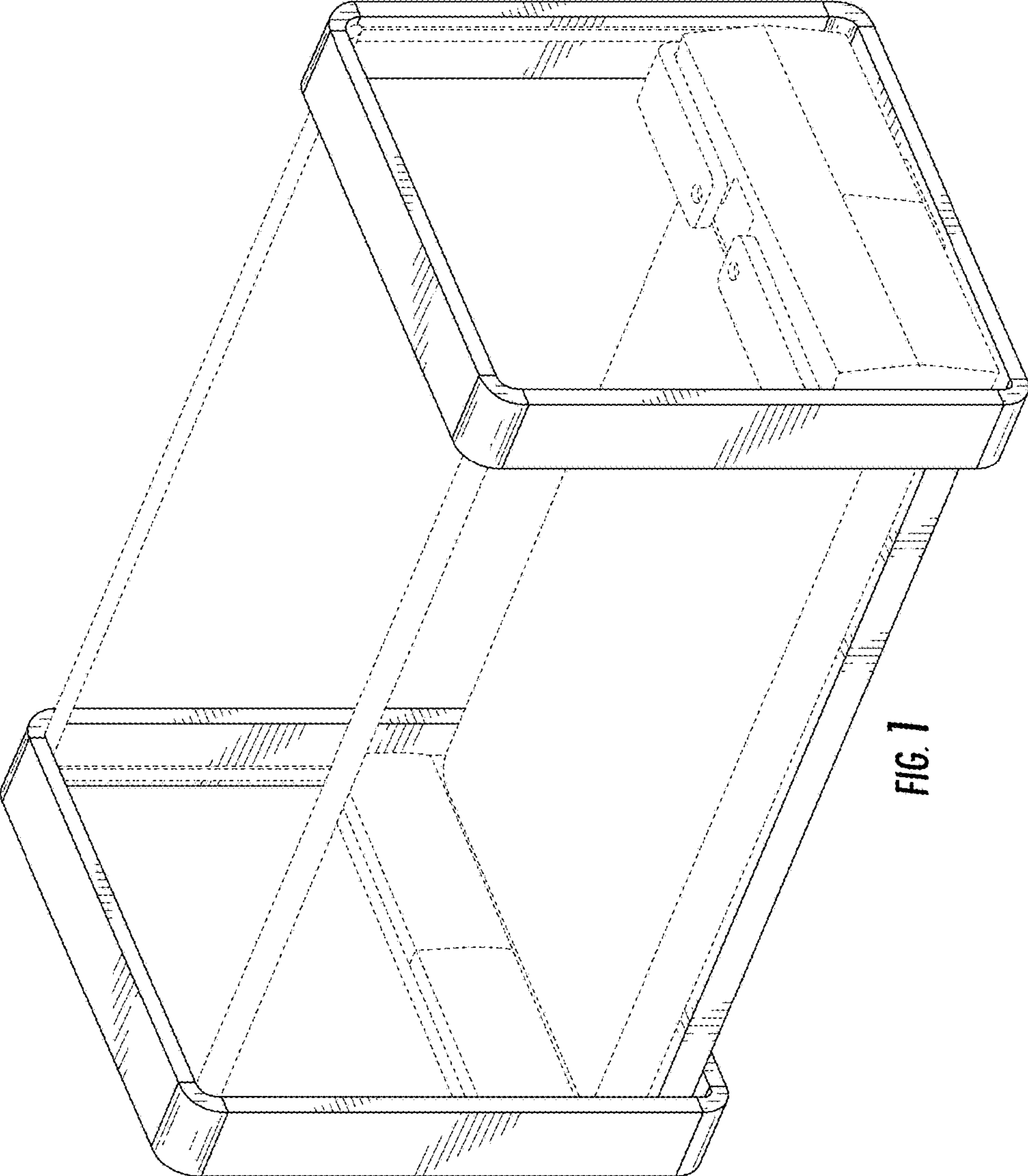
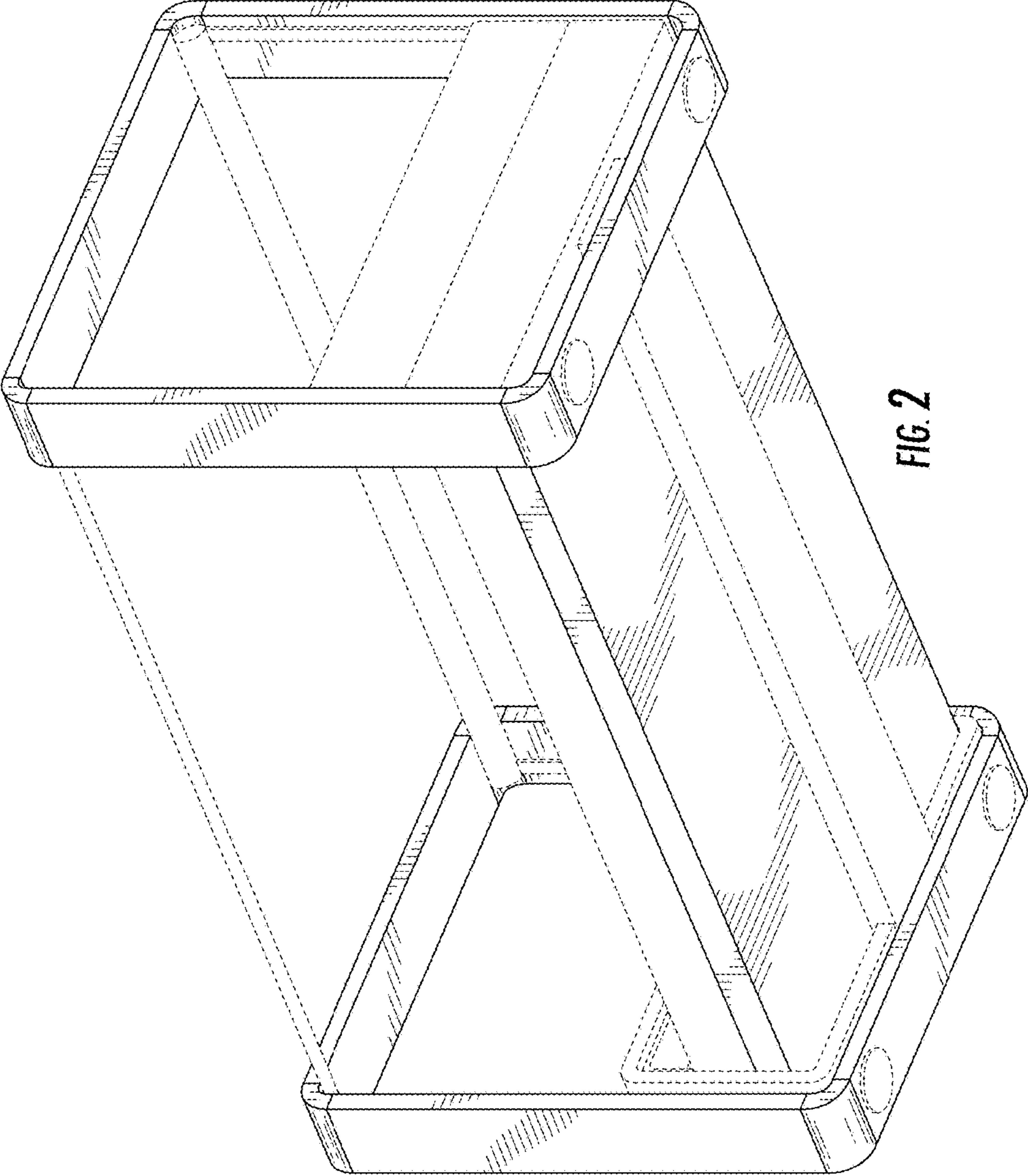


FIG. 1



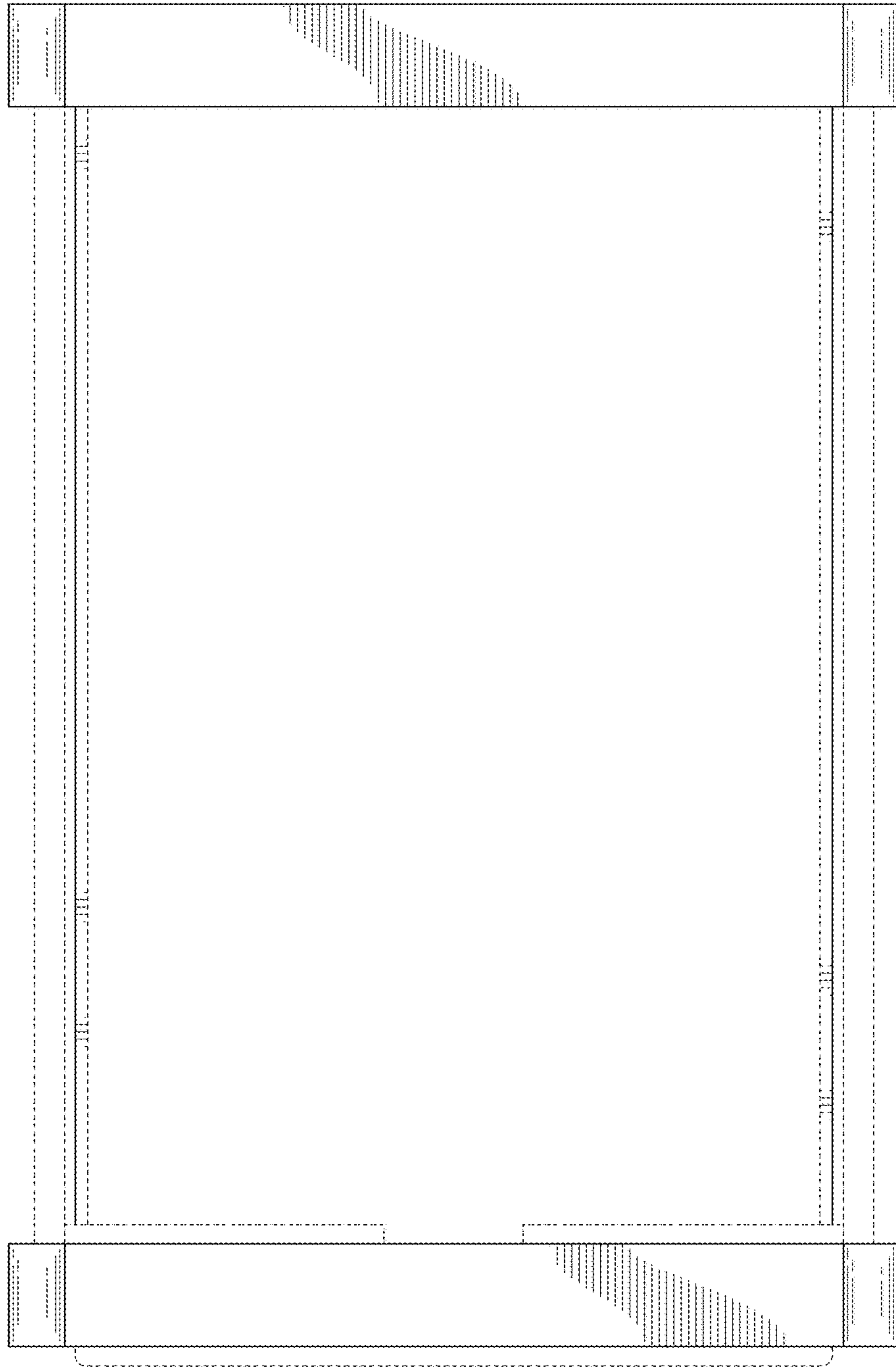


FIG. 3



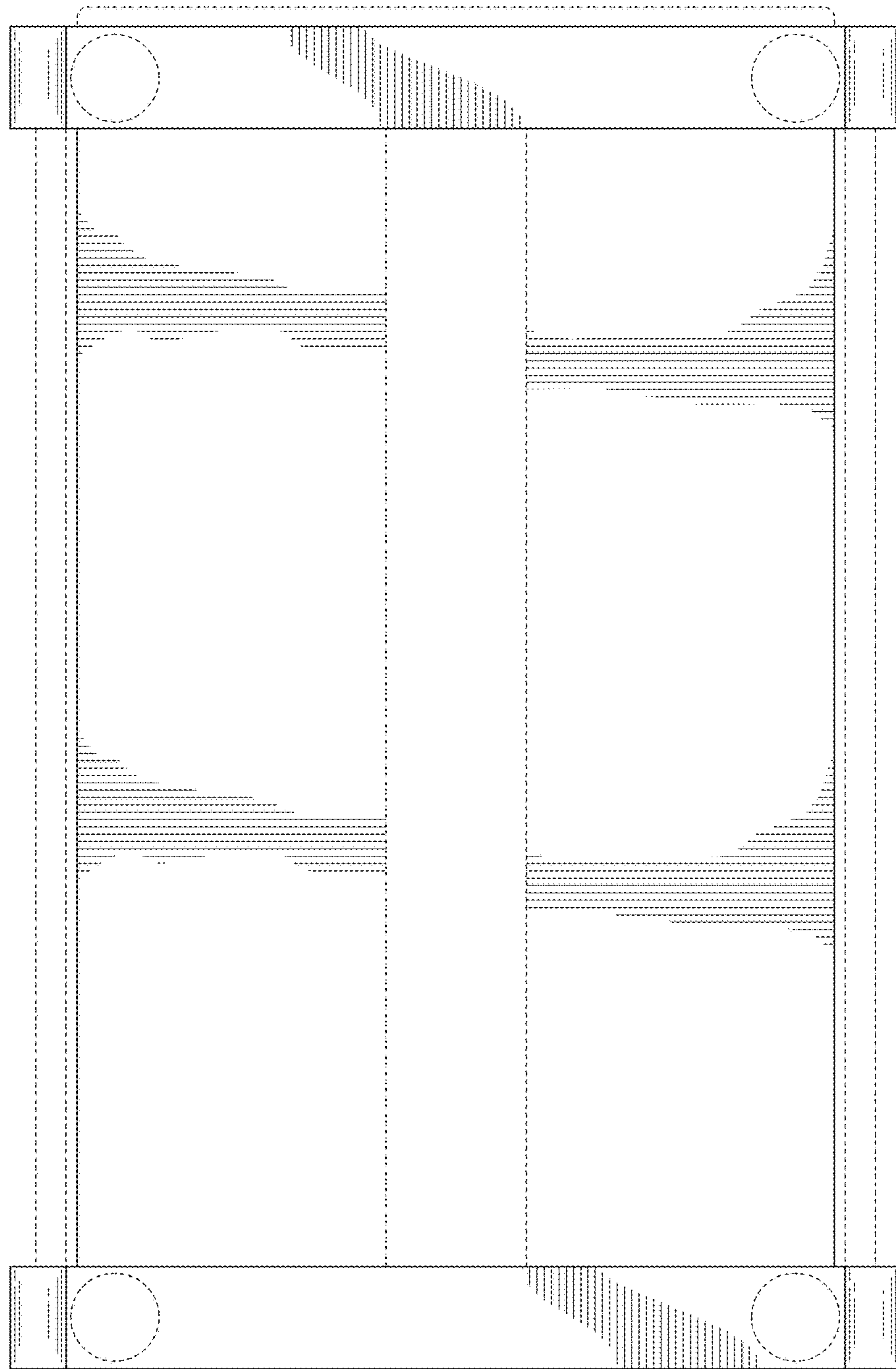


FIG. 4

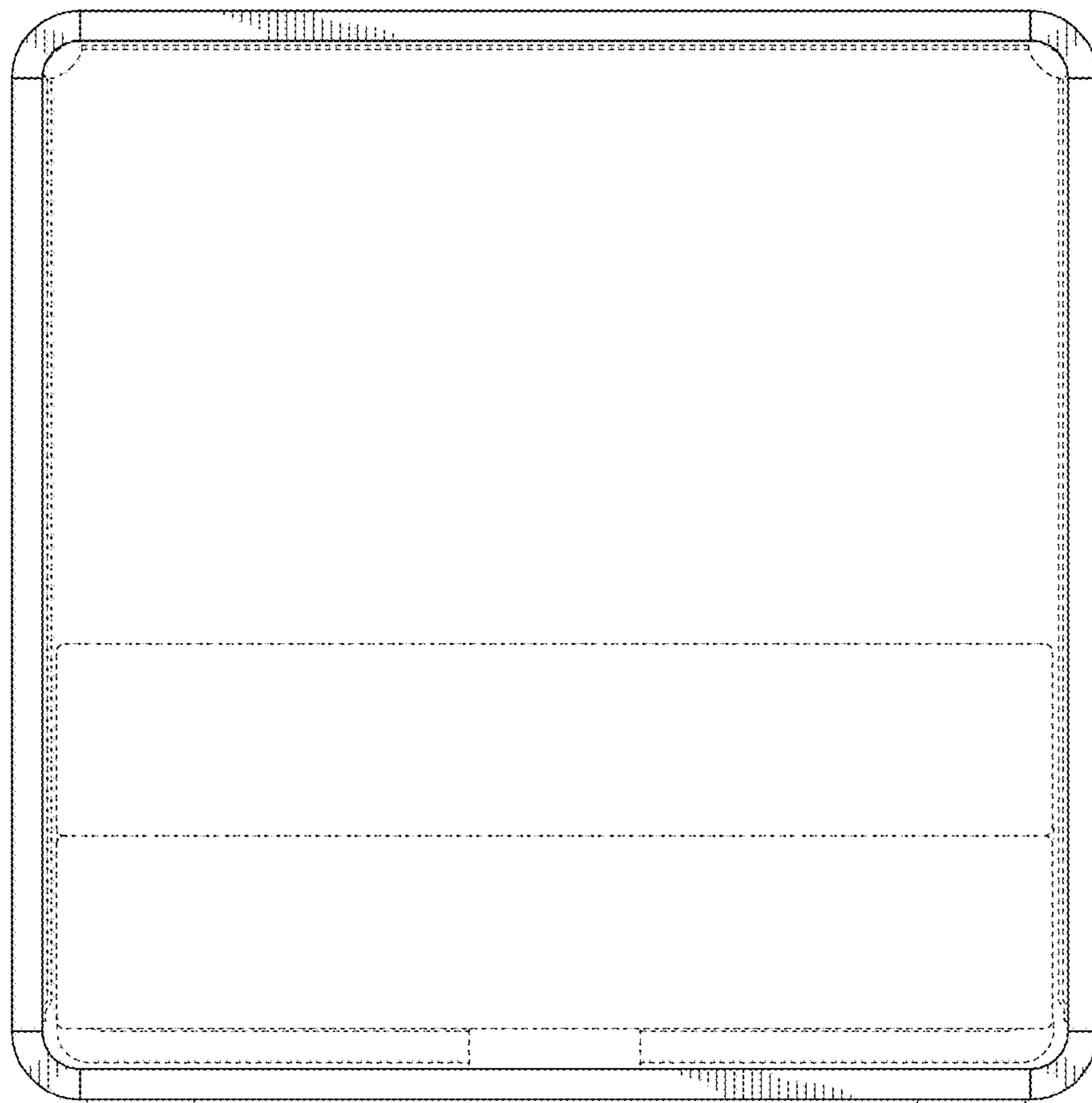


FIG. 5

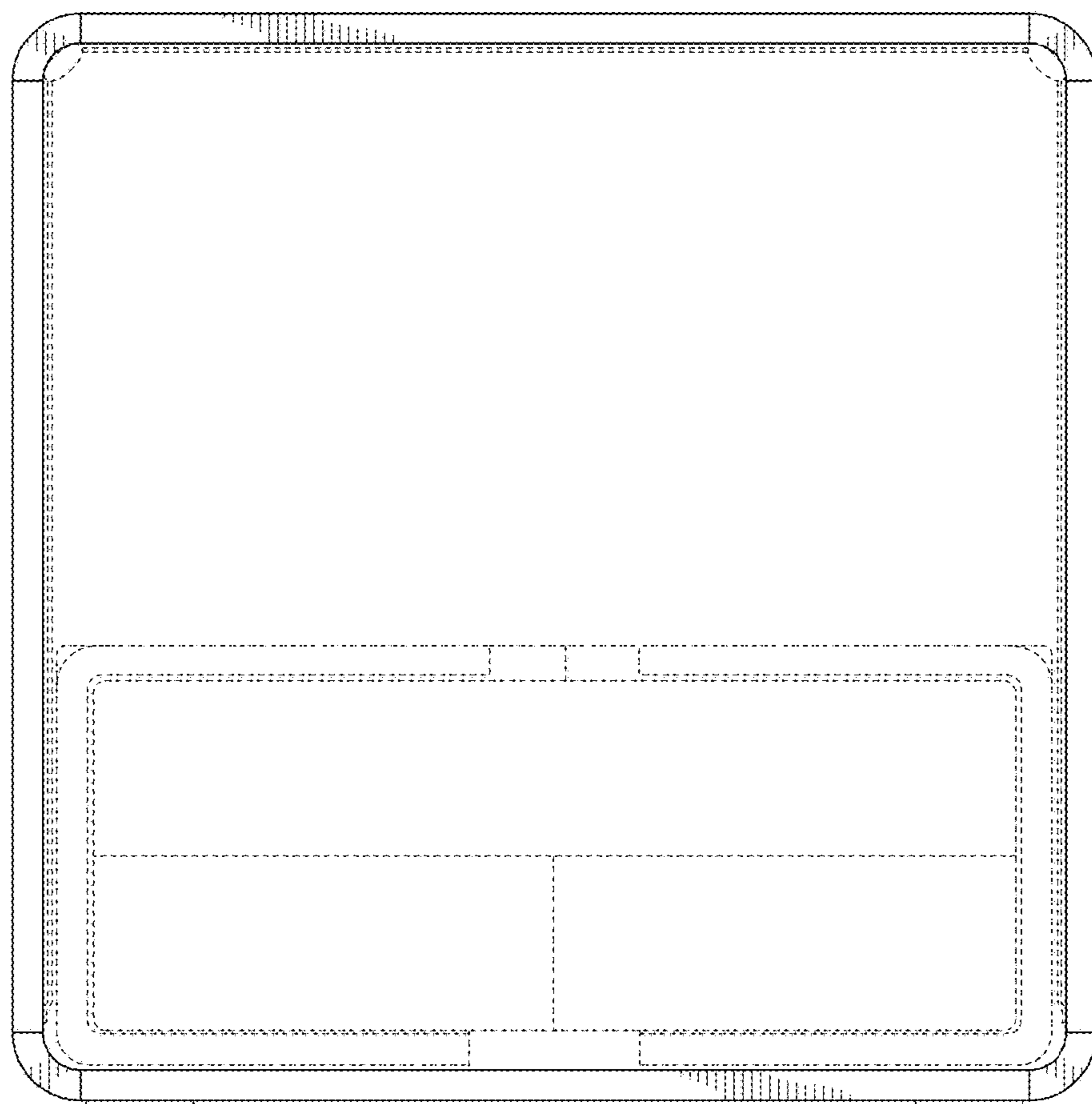


FIG. 6



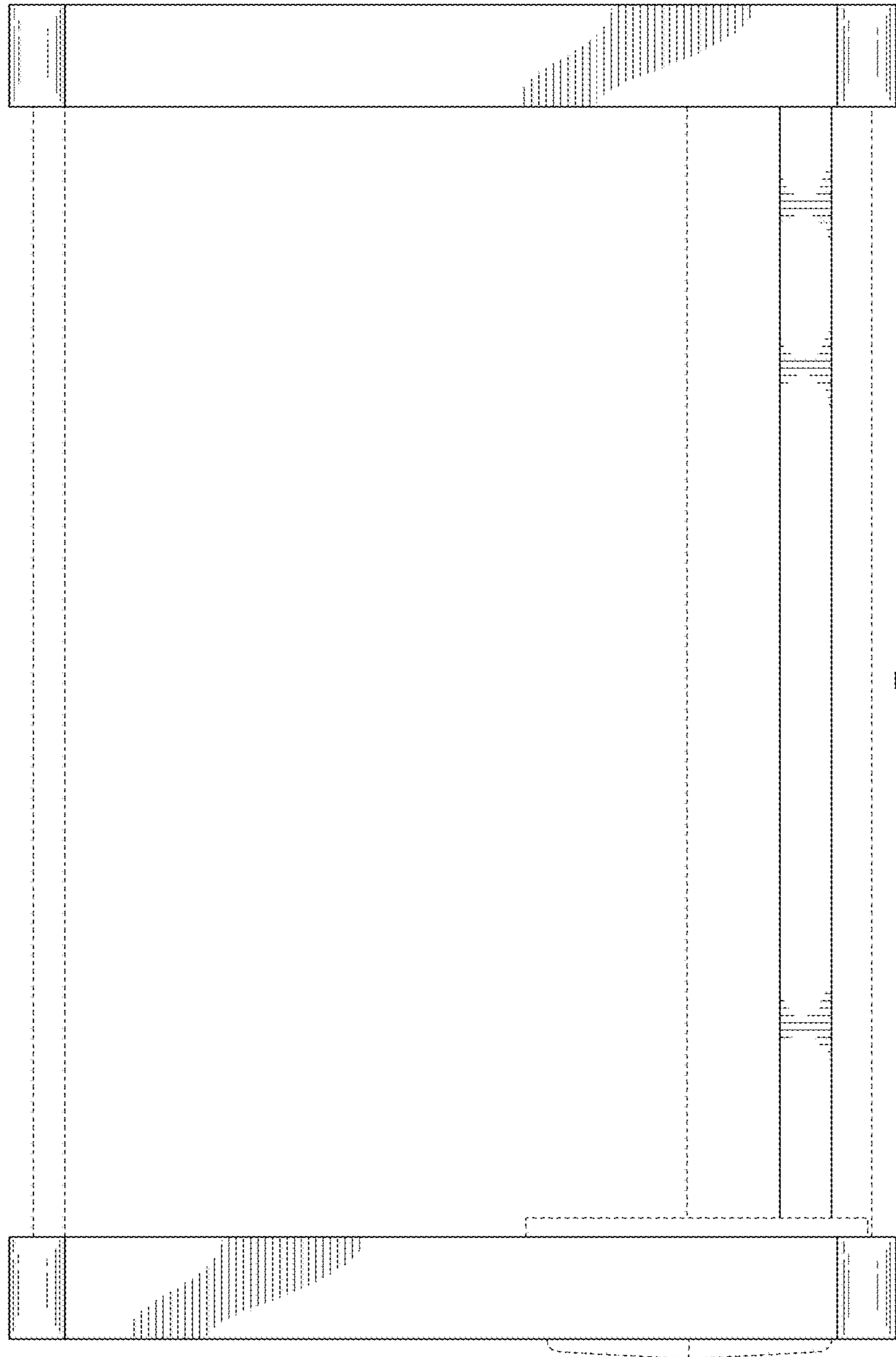


FIG. 7