



US00D839625S

(12) **United States Design Patent** (10) **Patent No.:** **US D839,625 S**  
**Sclare** (45) **Date of Patent:** **\*\* Feb. 5, 2019**

(54) **BASSINET**  
(71) Applicant: **KIDS II, INC.**, Atlanta, GA (US)  
(72) Inventor: **Jacob Sclare**, Dacula, GA (US)  
(73) Assignee: **KIDS II, INC.**, Atlanta, GA (US)  
(\*\*) Term: **15 Years**  
(21) Appl. No.: **29/617,126**  
(22) Filed: **Sep. 12, 2017**  
(51) **LOC (11) Cl.** ..... **06-06**  
(52) **U.S. Cl.**  
USPC ..... **D6/390; D6/718.26**  
(58) **Field of Classification Search**  
USPC ..... D6/333, 344, 382, 385, 386, 390, 391,  
D6/392, 718, 718.26  
CPC . A47D 9/00; A47D 9/02; A47D 9/005; A47D  
7/03  
See application file for complete search history.

3,806,117 A 4/1974 Foster  
D251,518 S 4/1979 Boudreau et al.  
4,258,446 A 3/1981 McAllister et al.  
4,302,857 A 12/1981 Kodet et al.  
4,323,233 A 4/1982 Gebhard  
4,536,029 A 8/1985 Rogers, Jr.  
4,615,059 A 10/1986 Darowski  
4,700,920 A 10/1987 Horn  
4,805,902 A 2/1989 Casagrande  
4,881,285 A 11/1989 Zeeb  
4,891,852 A 1/1990 Lopez, Jr.  
4,996,732 A 3/1991 Chang  
D320,316 S \* 10/1991 Arnold ..... D6/390  
D345,777 S 4/1994 Pinch et al.  
5,307,531 A 5/1994 Kao  
5,326,327 A 7/1994 Stephens et al.  
(Continued)

**FOREIGN PATENT DOCUMENTS**

JP 2013240723 A 12/2013  
*Primary Examiner* — Cathron C Brooks  
(74) *Attorney, Agent, or Firm* — Gardner Groff  
Greenwald & Villanueva, PC

(56) **References Cited**  
U.S. PATENT DOCUMENTS

138,320 A 4/1873 Doremus  
204,944 A 6/1878 Bernhard  
371,700 A 10/1887 Ordway  
430,616 A 6/1890 Brewer  
1,132,432 A 3/1915 Brzozowski  
1,574,226 A 2/1926 Ackermann  
1,727,635 A 9/1929 Crane  
1,906,768 A 5/1933 Romine  
2,079,767 A 5/1937 Larsen  
2,099,457 A 11/1937 Vallone  
2,116,334 A 5/1938 Woller et al.  
2,283,000 A 5/1942 Feldman  
2,482,318 A 9/1949 Carruth  
2,534,438 A 12/1950 Gosselin  
2,845,635 A 8/1958 Eyer  
3,125,767 A 3/1964 Griggs et al.  
3,648,307 A 3/1972 Meade

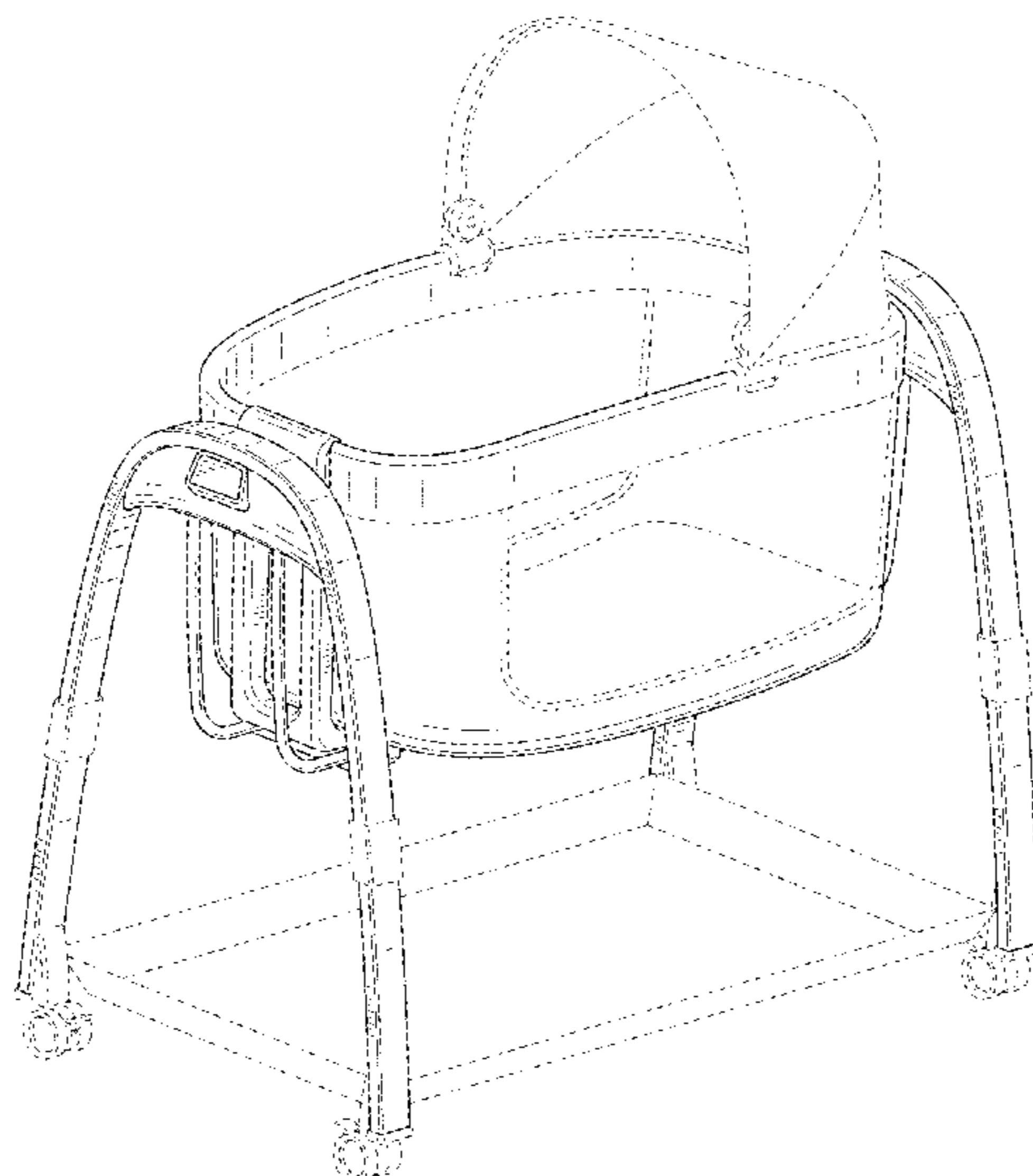
(57) **CLAIM**

The ornamental design for a bassinet, substantially as shown and described.

**DESCRIPTION**

FIG. 1 is a top perspective view of a bassinet, according to an example embodiment of the design;  
FIG. 2 is a front view of the bassinet of FIG. 1;  
FIG. 3 is a rear view of the bassinet of FIG. 1;  
FIG. 4 is a right side view of the bassinet of FIG. 1, the left side view being a mirror image thereof;  
FIG. 5 is a top view of the bassinet of FIG. 1; and,  
FIG. 6 is a bottom view of the bassinet of FIG. 1.  
The broken lines shown in the drawings illustrate portions of the bassinet that form no part of the claimed design.

**1 Claim, 4 Drawing Sheets**



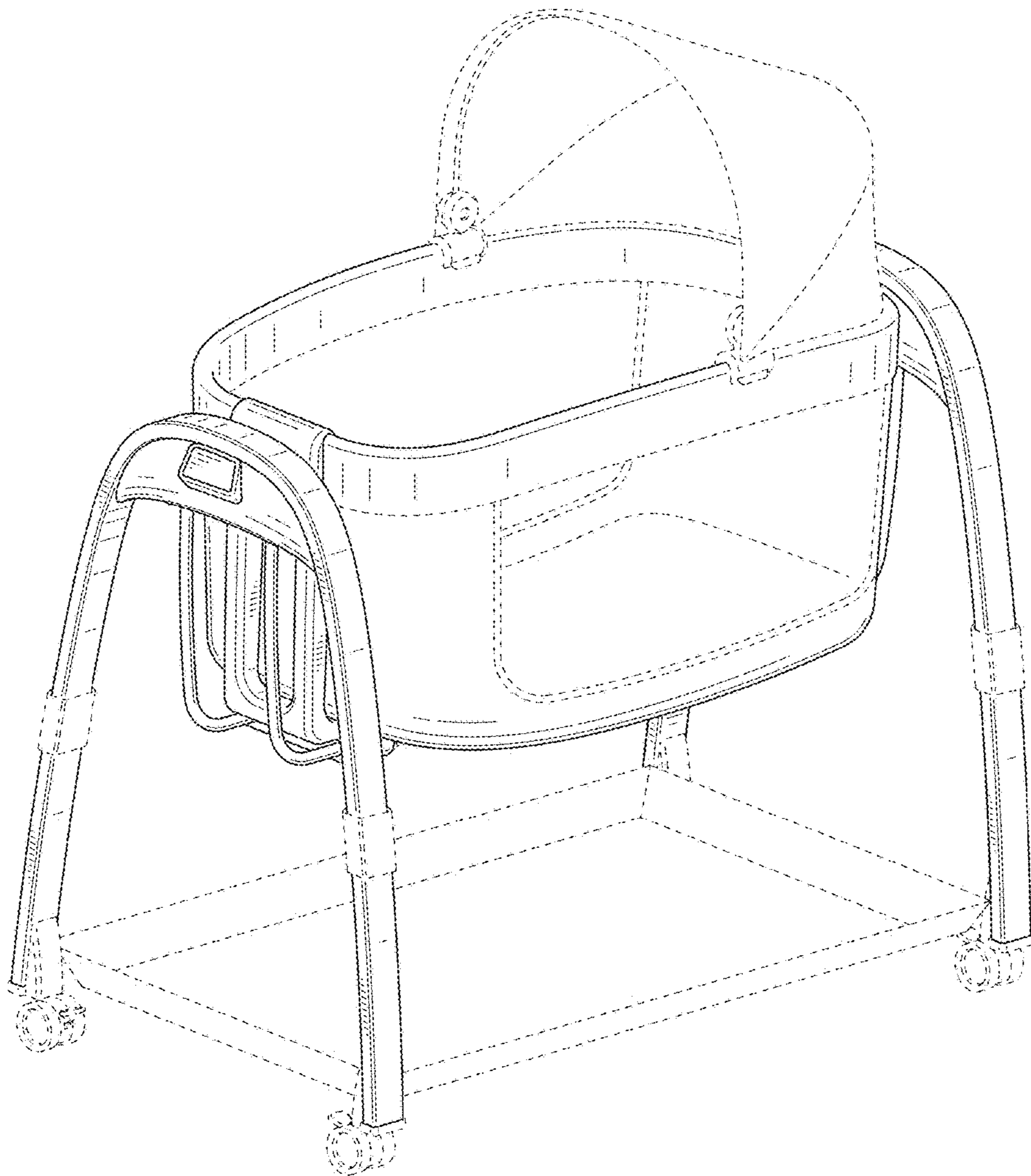
(56)

References Cited

U.S. PATENT DOCUMENTS

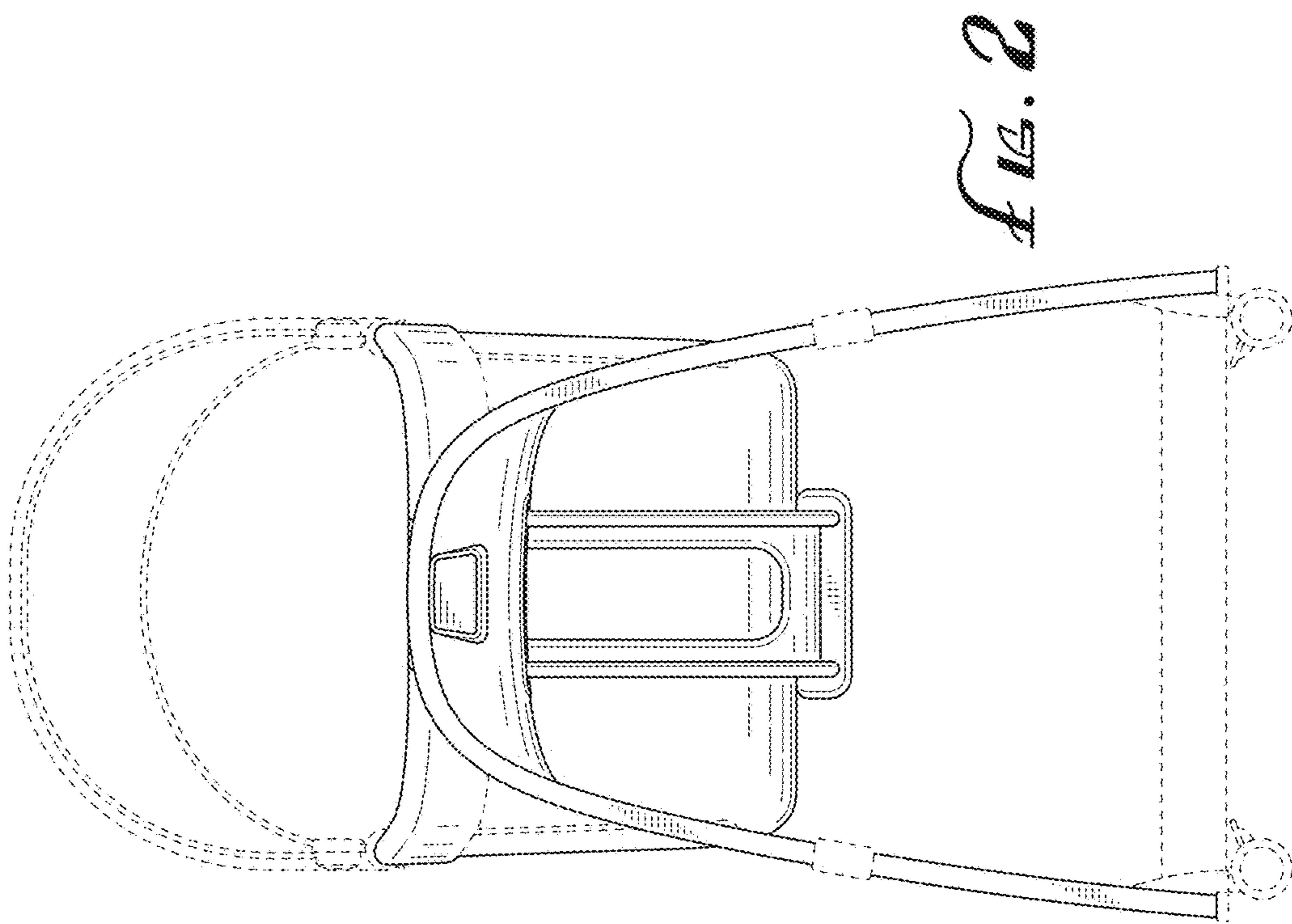
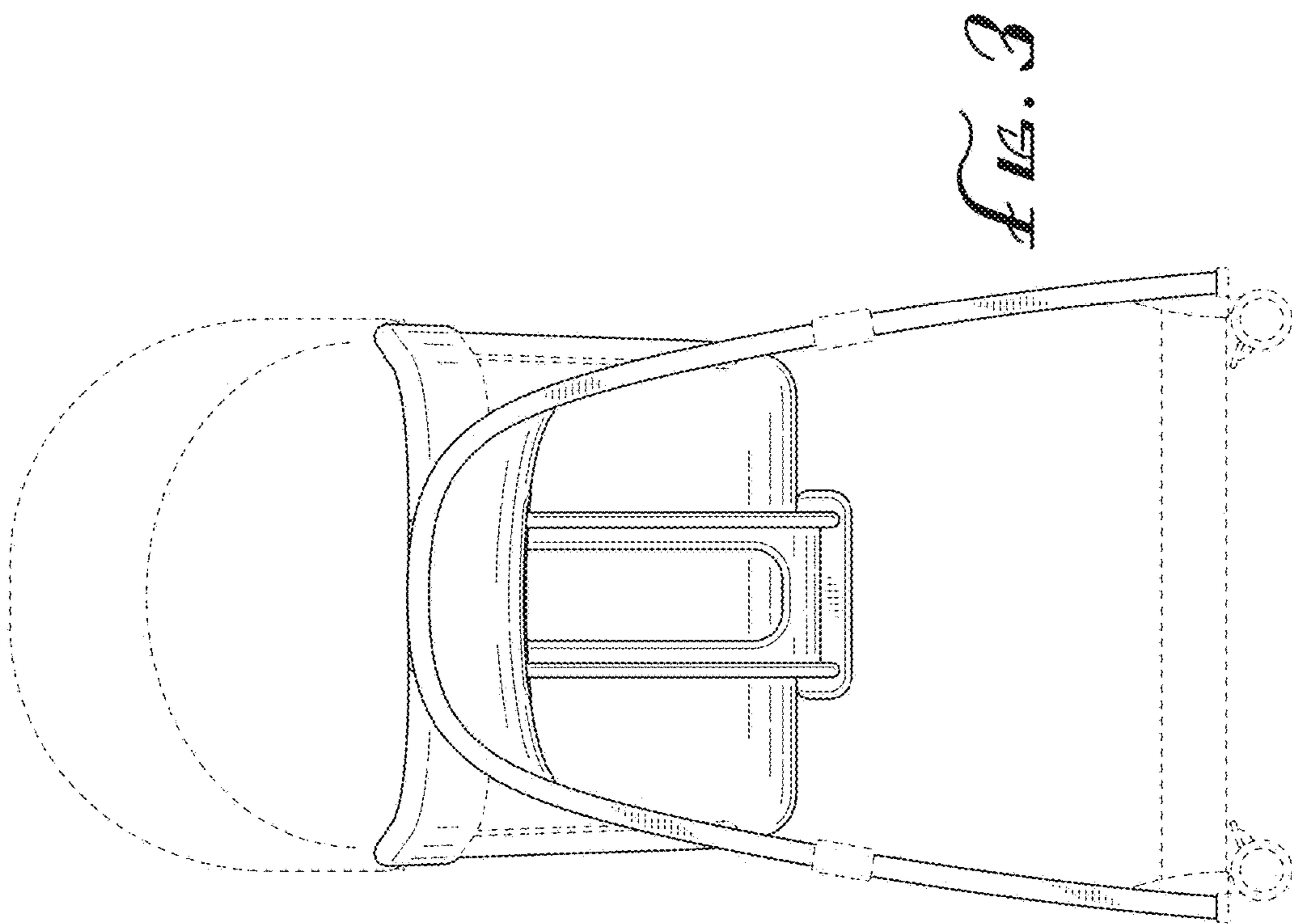
D351,289 S	10/1994	Stephens et al.	8,677,526 B2	3/2014	Li
5,572,752 A	11/1996	McGee	8,684,856 B2	4/2014	Pyrce et al.
5,618,016 A	4/1997	Garland et al.	8,708,832 B2	4/2014	Gilbert et al.
D388,640 S *	1/1998	Burgin ..... D6/390	8,745,780 B2	6/2014	Su
5,802,634 A	9/1998	Onishi et al.	8,845,440 B2	9/2014	Haut
6,092,870 A	7/2000	Desnoyers et al.	8,856,982 B1	10/2014	Kalivas
6,318,803 B1	11/2001	Garland	D717,574 S	11/2014	Bellows et al.
6,386,986 B1	5/2002	Sonner et al.	D717,577 S	11/2014	Pacella et al.
6,612,651 B1	9/2003	Garland	8,876,617 B2	11/2014	Robbins et al.
6,676,475 B1	1/2004	Henderson et al.	8,951,132 B2	2/2015	Xu
6,854,138 B2	2/2005	Xu	9,021,629 B2	5/2015	Cheng
6,908,398 B1	6/2005	Kang	9,033,809 B2	5/2015	Haut et al.
7,281,284 B2	10/2007	Sims, Jr.	9,101,226 B1	8/2015	Hartenstine et al.
7,354,352 B2	4/2008	Keska et al.	9,155,403 B2	10/2015	Mountz et al.
7,445,559 B2	11/2008	Kakuda	9,198,524 B2	12/2015	Horst et al.
7,475,942 B2	1/2009	Boyle et al.	9,226,594 B2	1/2016	Long
7,478,446 B2	1/2009	Sims, Jr.	D753,427 S	4/2016	Bellows et al.
7,607,734 B2	10/2009	Clapper et al.	9,565,950 B2	2/2017	Horst et al.
7,788,744 B2	9/2010	Calilung et al.	D804,217 S *	12/2017	Festa ..... D6/391
7,789,762 B2	9/2010	Greger et al.	9,888,786 B2	2/2018	Corso et al.
7,837,570 B2	11/2010	Kwon	2003/0222485 A1	12/2003	Dwyer
7,883,426 B2	2/2011	Bellows et al.	2005/0241064 A1	11/2005	Lopes et al.
8,112,835 B2	2/2012	Eirich et al.	2006/0270480 A1	11/2006	Chen
8,292,750 B2	10/2012	Gregorian	2010/0263121 A1	10/2010	Arnold, IV et al.
8,307,475 B2	11/2012	Hutchinson et al.	2011/0041245 A1	2/2011	Shafer et al.
8,308,578 B2	11/2012	Gilbert et al.	2011/0308011 A1	12/2011	Cheng et al.
8,357,054 B2	1/2013	Myers et al.	2014/0315650 A1	10/2014	Pyrce et al.
8,429,771 B2	4/2013	Long	2015/0342367 A1	12/2015	Corso et al.
8,646,129 B1	2/2014	Chen	2016/0000232 A1 *	1/2016	Horst ..... A47D 5/00 5/655
			2016/0227939 A1	8/2016	Tadipatri et al.
			2017/0360216 A1 *	12/2017	Sclare ..... A47D 9/02

\* cited by examiner



*FIG. 1*





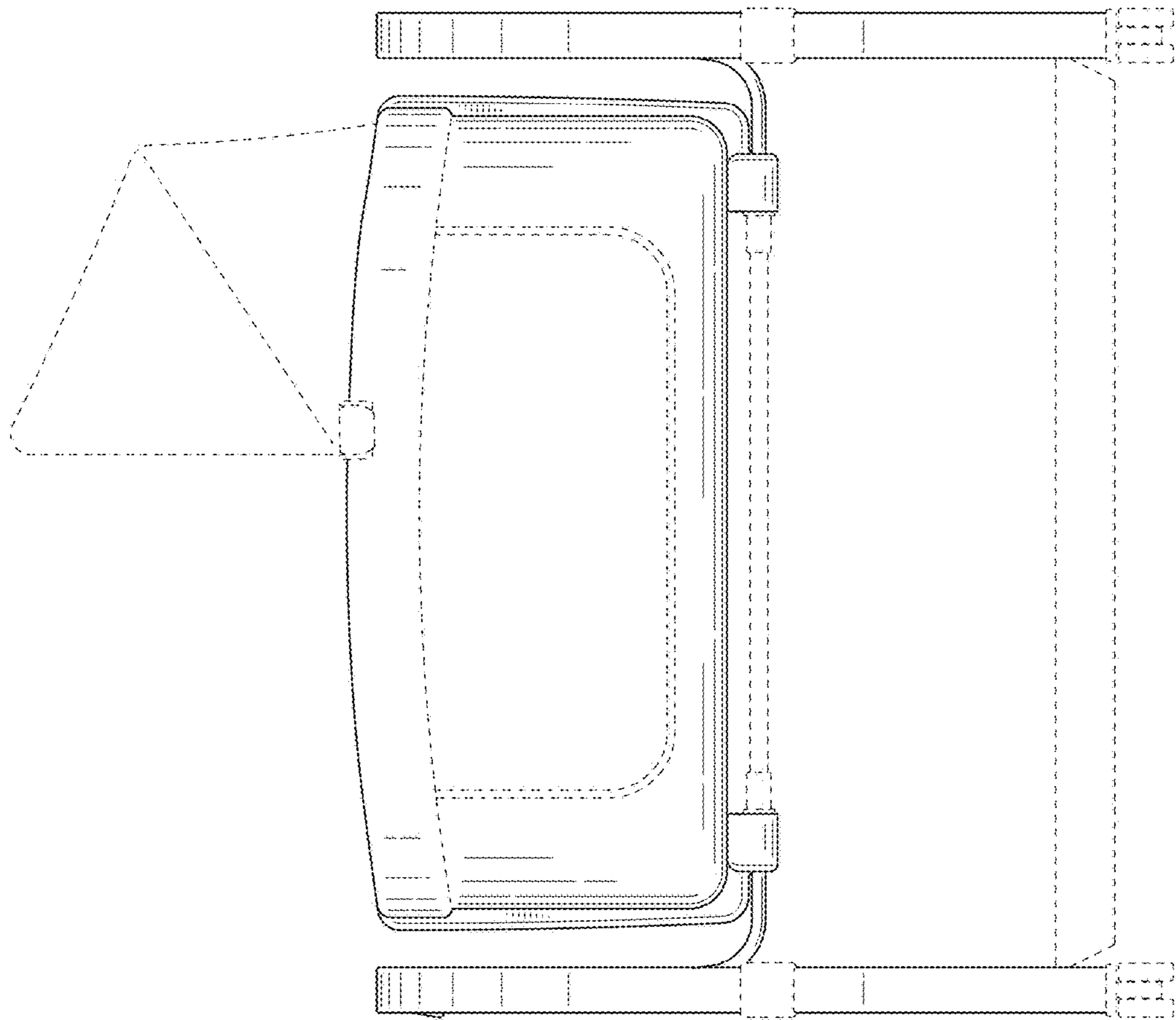


FIG. A



FIG. 1

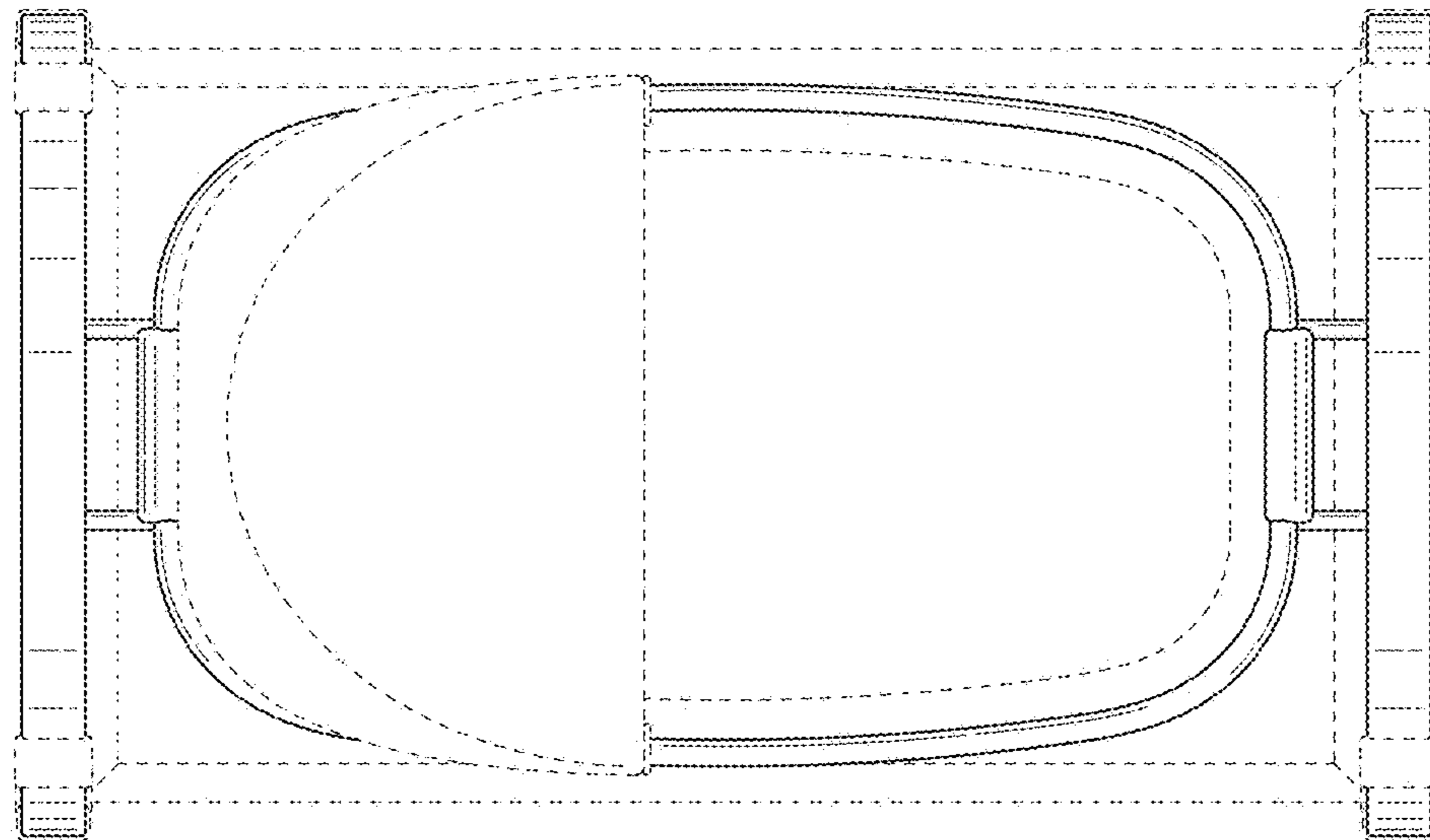


FIG. 2