

US00D839623S

(12) **United States Design Patent** (10) **Patent No.:** **US D839,623 S**
Peck (45) **Date of Patent:** **** Feb. 5, 2019**

(54) **CANE CHAIR**

(71) Applicant: **Maria Peck**, San Diego, CA (US)

(72) Inventor: **Maria Peck**, San Diego, CA (US)

(**) Term: **15 Years**

(21) Appl. No.: **29/607,618**

(22) Filed: **Jun. 14, 2017**

(51) **LOC (11) Cl.** **06-01**

(52) **U.S. Cl.**
USPC **D6/368**

(58) **Field of Classification Search**
USPC D6/334-336, 368, 371, 372, 373, 374,
D6/376, 716, 776.1; D12/130, 133
CPC A47C 1/00; A47C 4/04; A47C 4/14; A47C
4/045; A47C 13/00; A45B 3/00; A45B
5/00; A61G 5/02
See application file for complete search history.

(56) **References Cited**

U.S. PATENT DOCUMENTS

D113,534 S *	2/1939	Bodkin	248/155.1
2,766,813 A	10/1956	Kay		
3,537,748 A	11/1970	Knapp		
D277,813 S *	3/1985	Grady	D6/368
D284,429 S *	7/1986	Garde	D6/368
4,700,730 A	10/1987	Samuelson et al.		
4,729,395 A	3/1988	Adamson et al.		
D338,345 S *	8/1993	Camp	D6/335
5,275,187 A	1/1994	Davis		
5,380,262 A	1/1995	Austin		
5,785,070 A	7/1998	Block et al.		
D396,569 S *	8/1998	Chen	D6/368
D400,724 S *	11/1998	Richter	D6/368
6,192,908 B1	2/2001	Smith		
D572,632 S *	7/2008	Willis	D12/130

D603,302 S *	11/2009	Willis	D12/133
8,876,203 B1	11/2014	Haertl et al.		
8,985,599 B2	3/2015	Peterson		
9,089,194 B2	7/2015	Tessier		
9,180,064 B2	11/2015	Prather		
9,357,820 B2 *	6/2016	Pao	A45B 5/00
9,414,655 B2 *	8/2016	Pao	A45B 5/00
9,854,882 B1 *	1/2018	Peck	A45B 5/00
10,064,462 B2 *	9/2018	Pao	A45B 5/00
2010/0163087 A1	7/2010	Catton		
2014/0034097 A1	2/2014	Pao		
2014/0034098 A1	2/2014	Pao		
2015/0107636 A1	4/2015	Pao		

* cited by examiner

Primary Examiner — Mimosa De

(74) *Attorney, Agent, or Firm* — ARC IP Law, PC;
Joseph J. Mayo

(57) **CLAIM**

The ornamental design for a cane chair, as shown and described.

DESCRIPTION

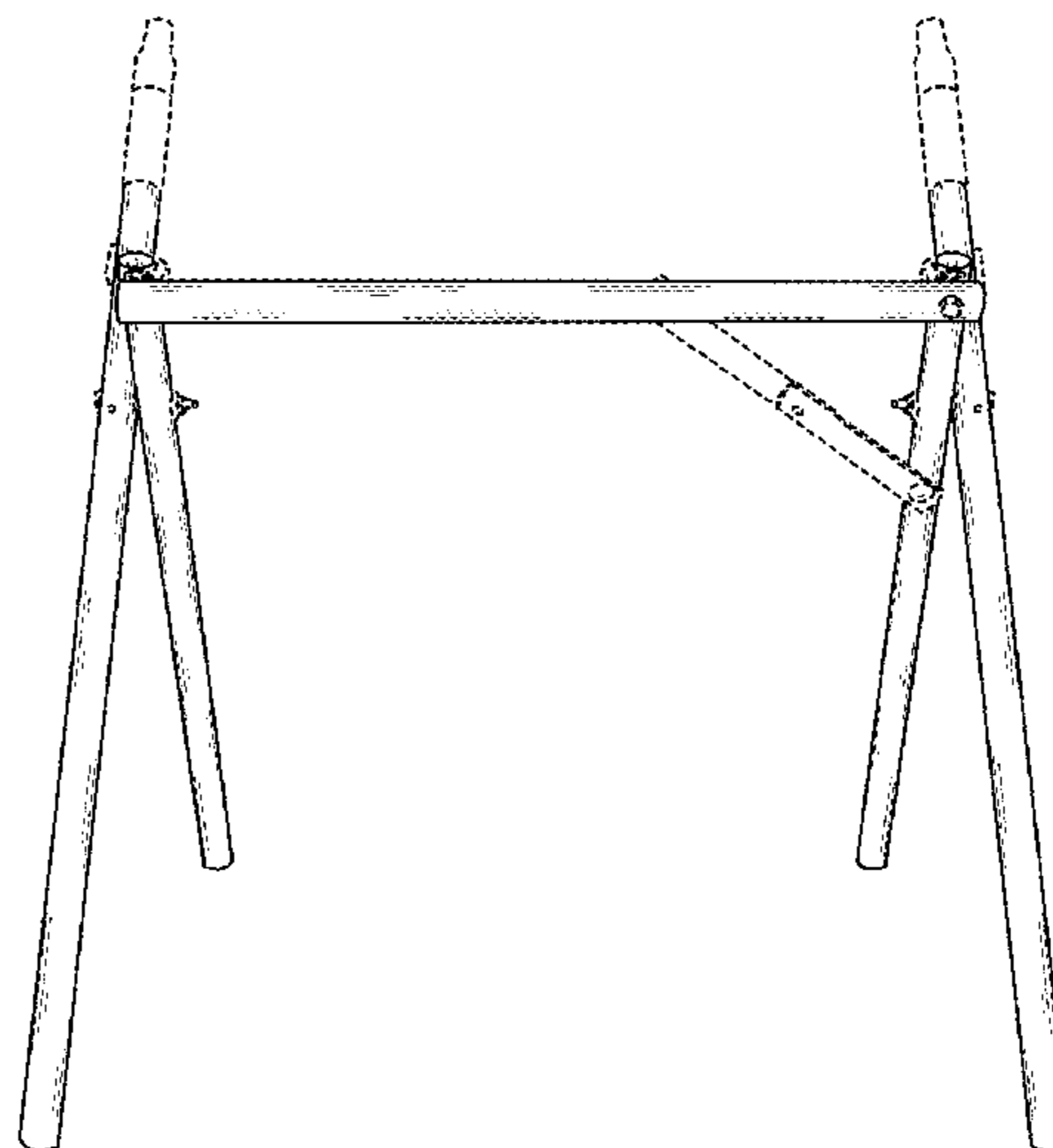
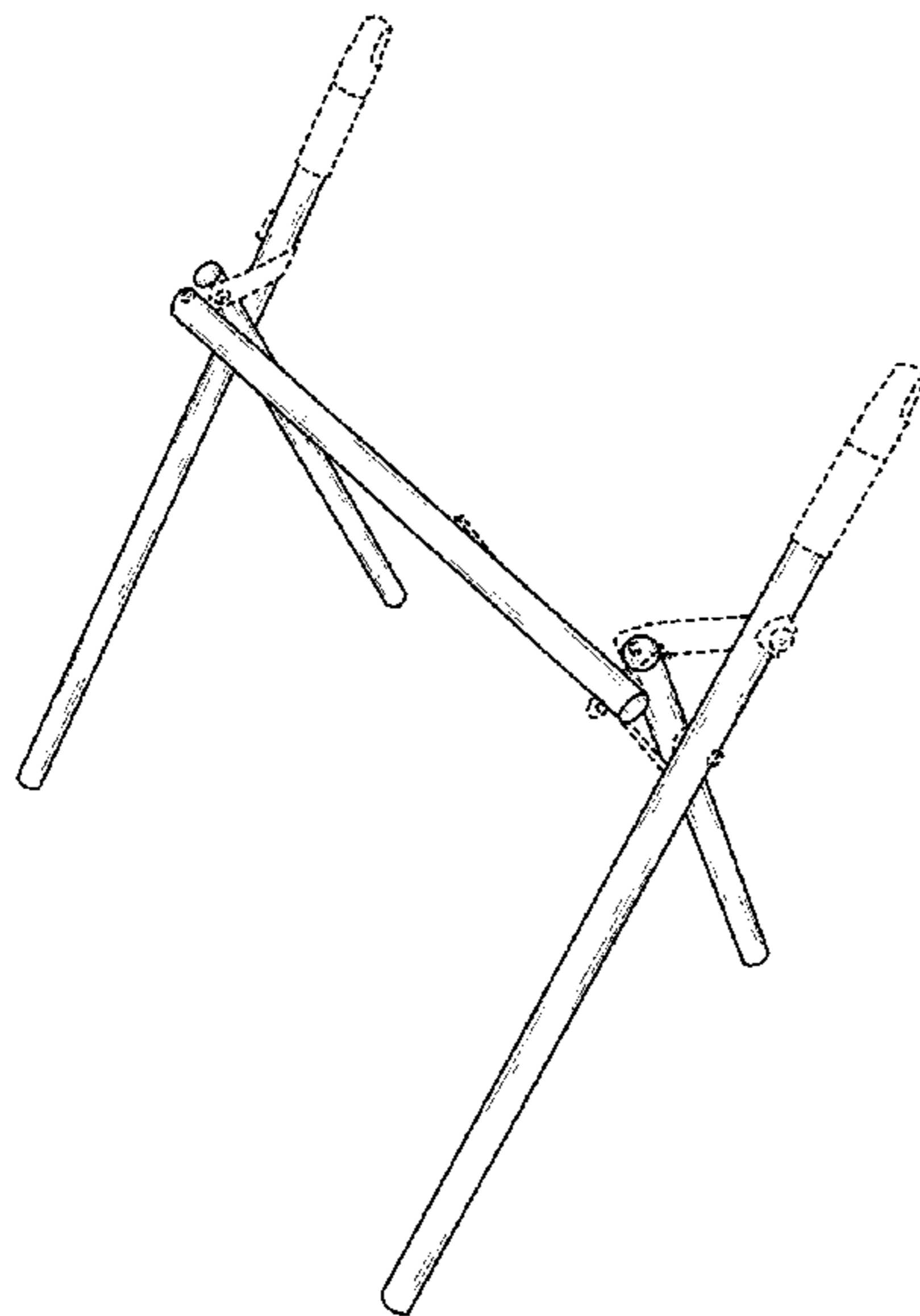
FIG. 1 is an upper front perspective view of a cane chair. FIG. 2 is an upper back perspective view of the cane chair as shown in FIG. 1.

FIG. 3 is a front view of the cane chair as shown in FIG. 1. FIG. 4 is a back view of the cane chair as shown in FIG. 1. FIG. 5 is a right side view of the cane chair as shown in FIG. 1, the left side view being a mirror image of the right side view.

FIG. 6 is a bottom view of the cane chair as shown in FIG. 1; and,

FIG. 7 is a top view of the cane chair as shown in FIG. 1. The broken lines shown in the figures illustrate environment that forms no part of the claimed design.

1 Claim, 7 Drawing Sheets



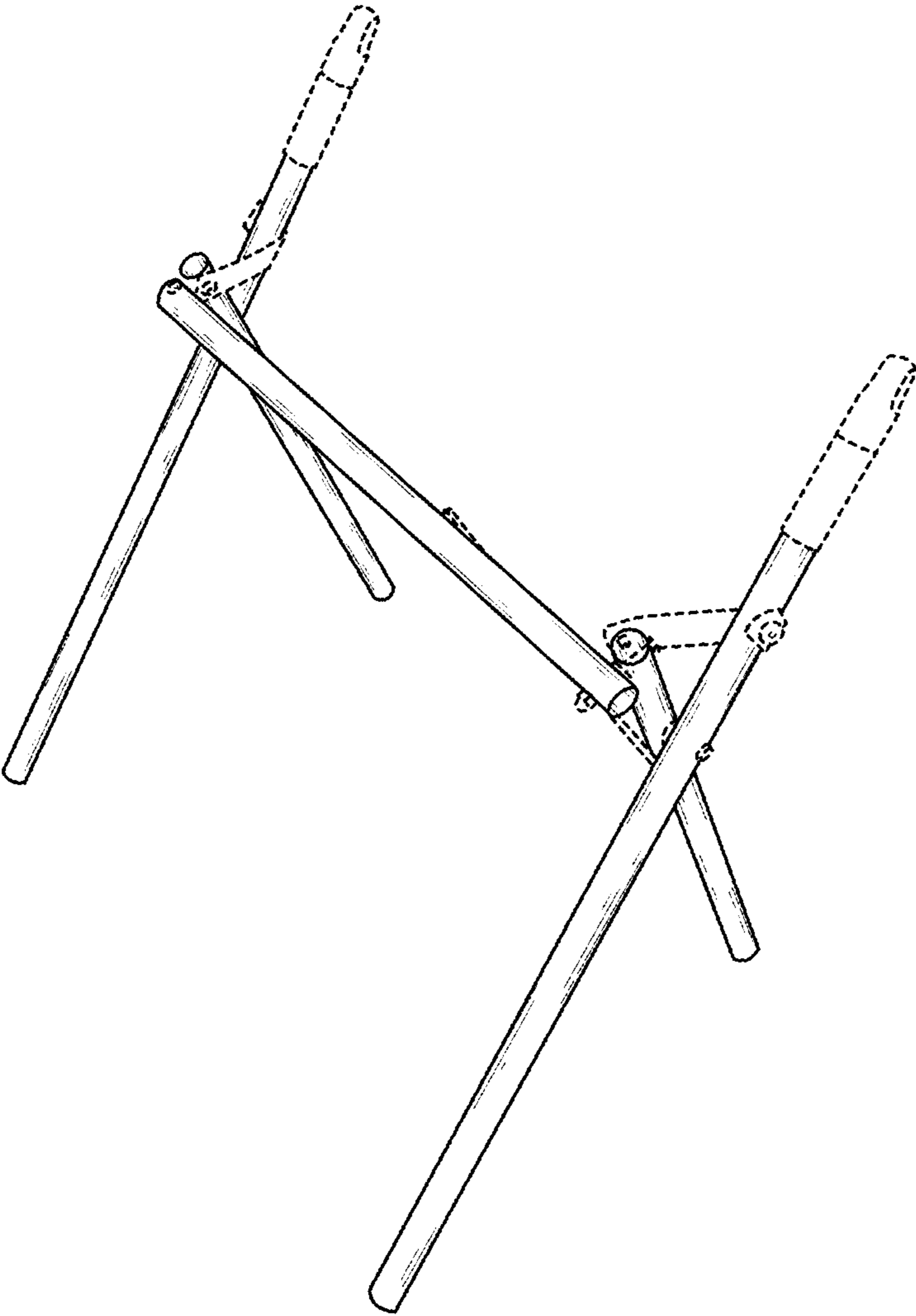


FIG. 1

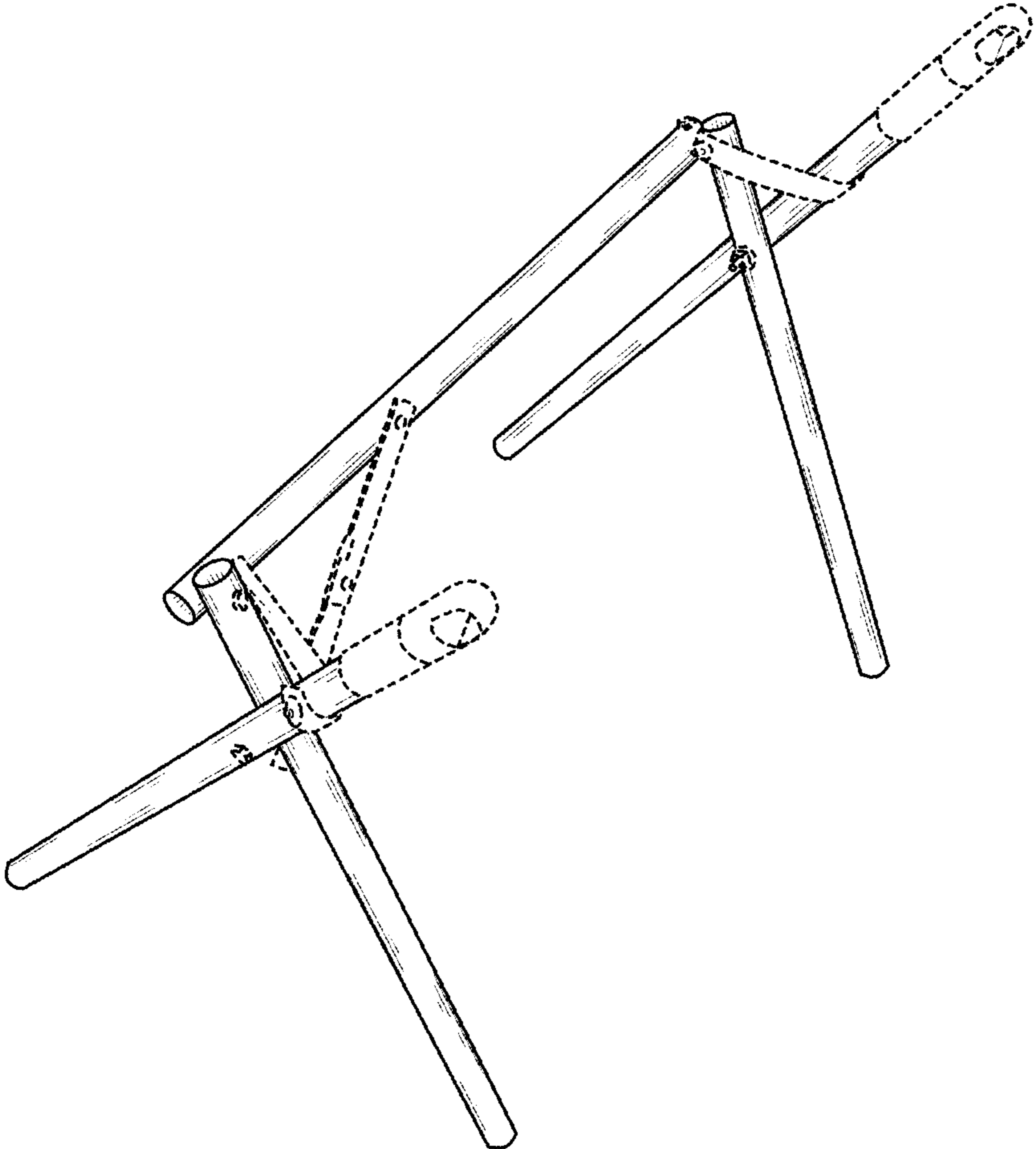


FIG. 2

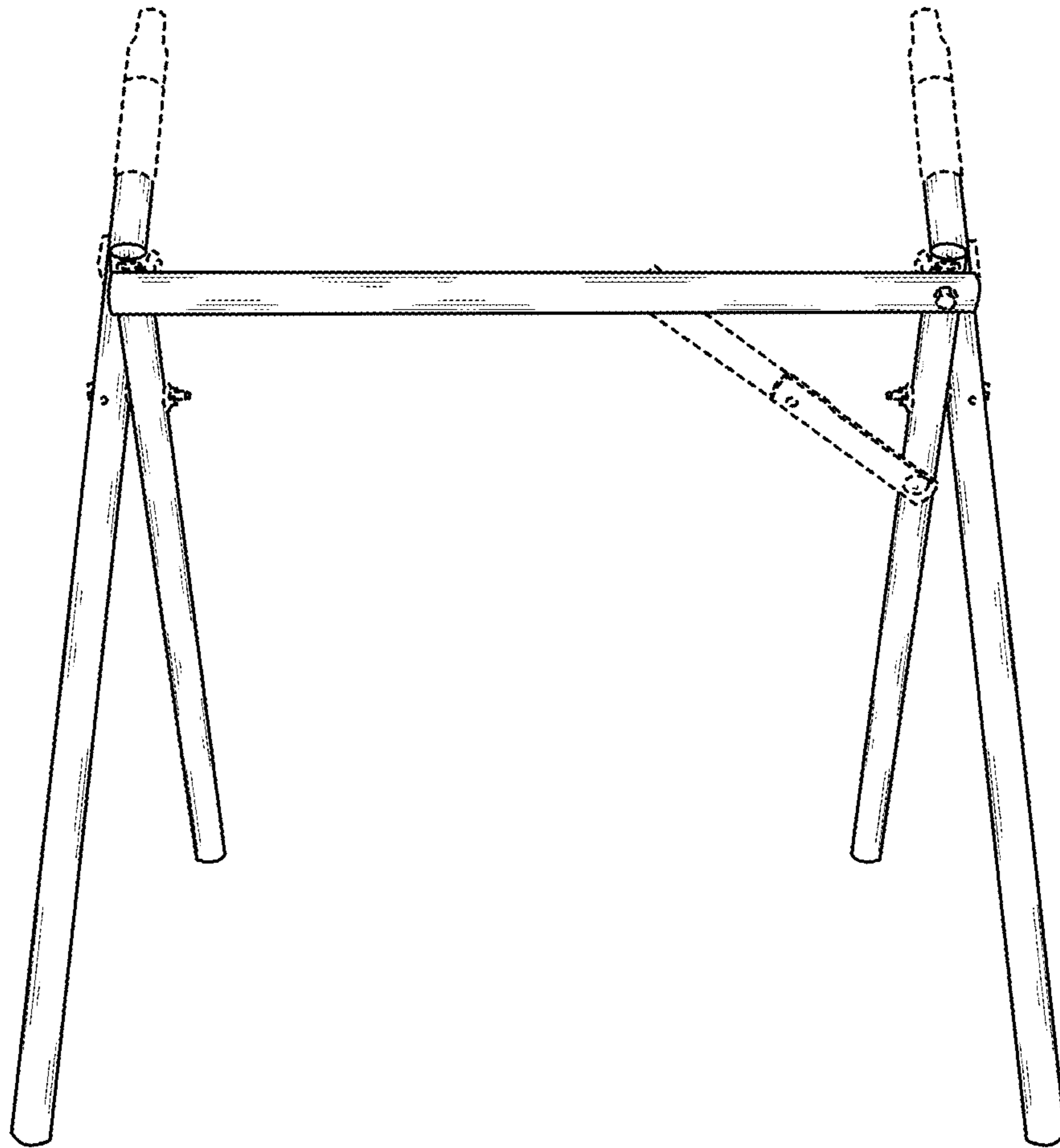


FIG. 3

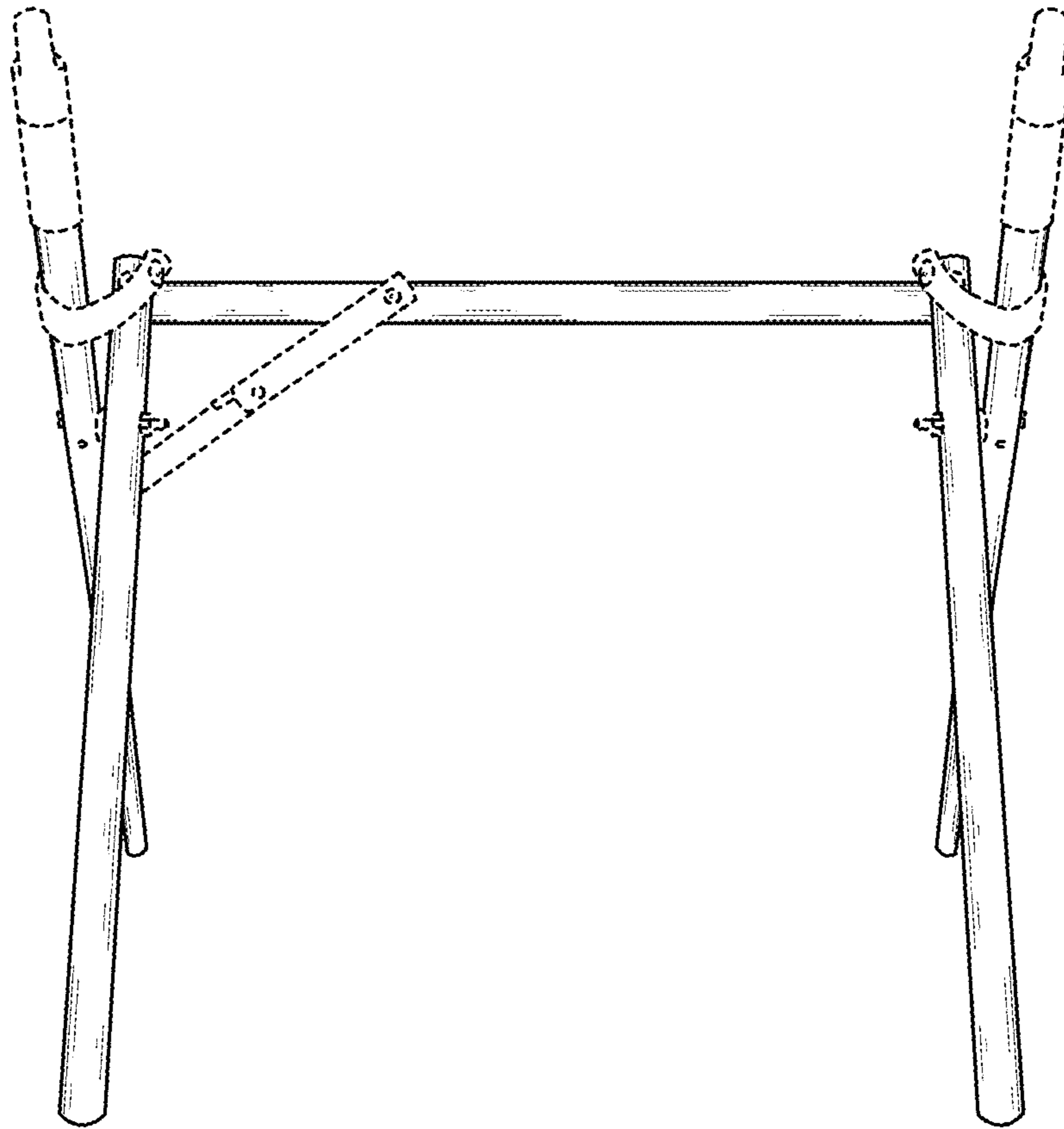


FIG. 4

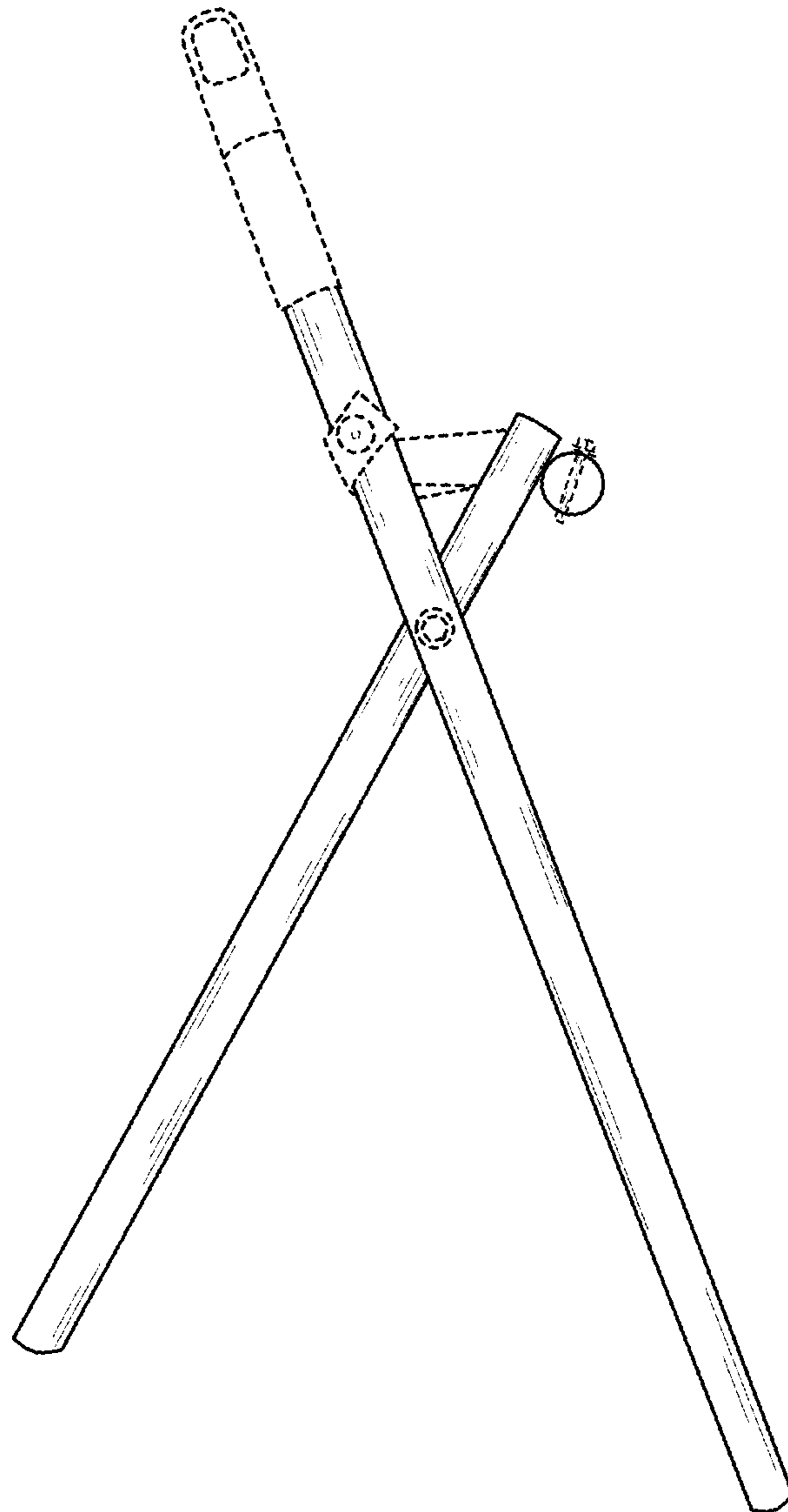


FIG. 5

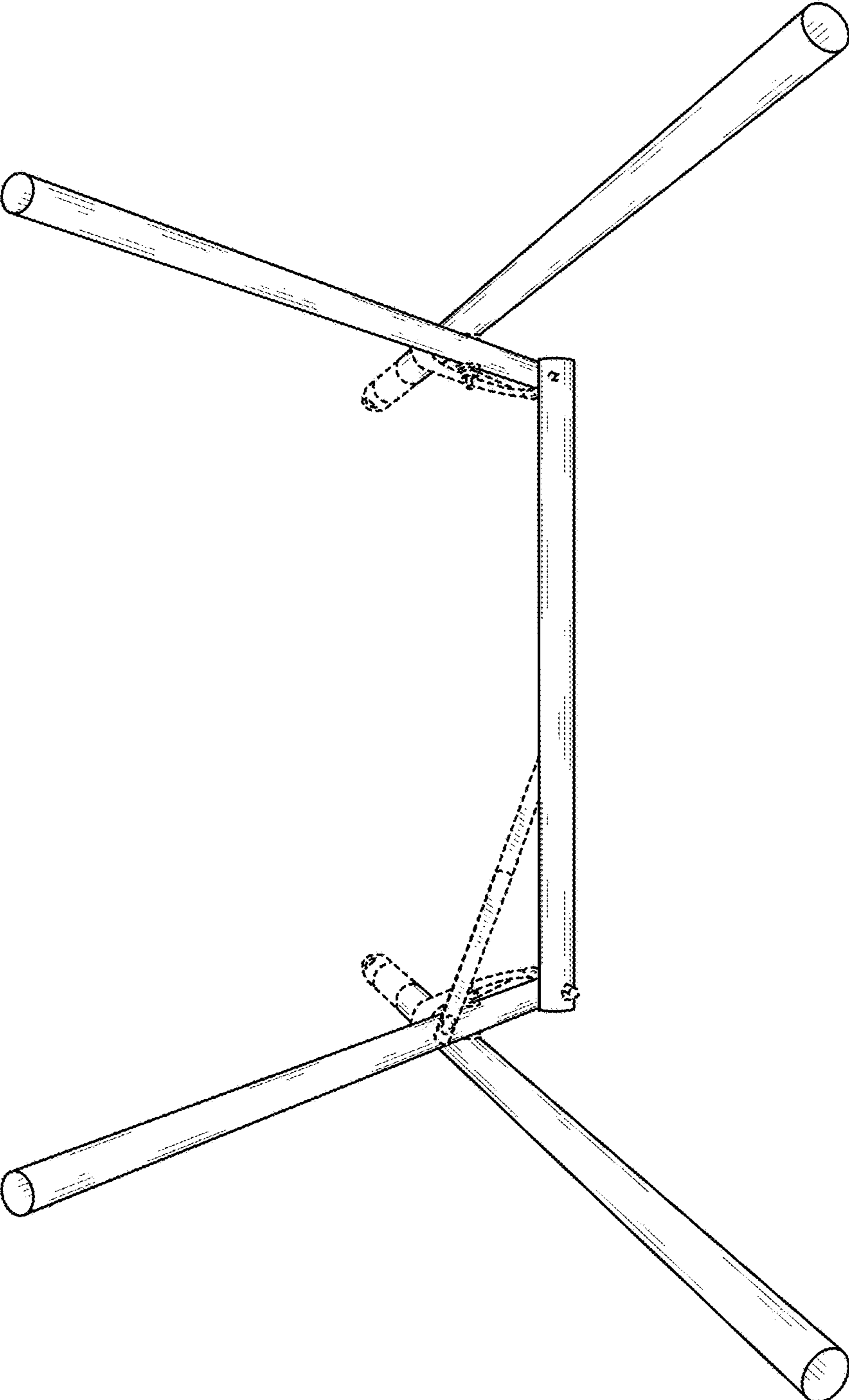


FIG. 6

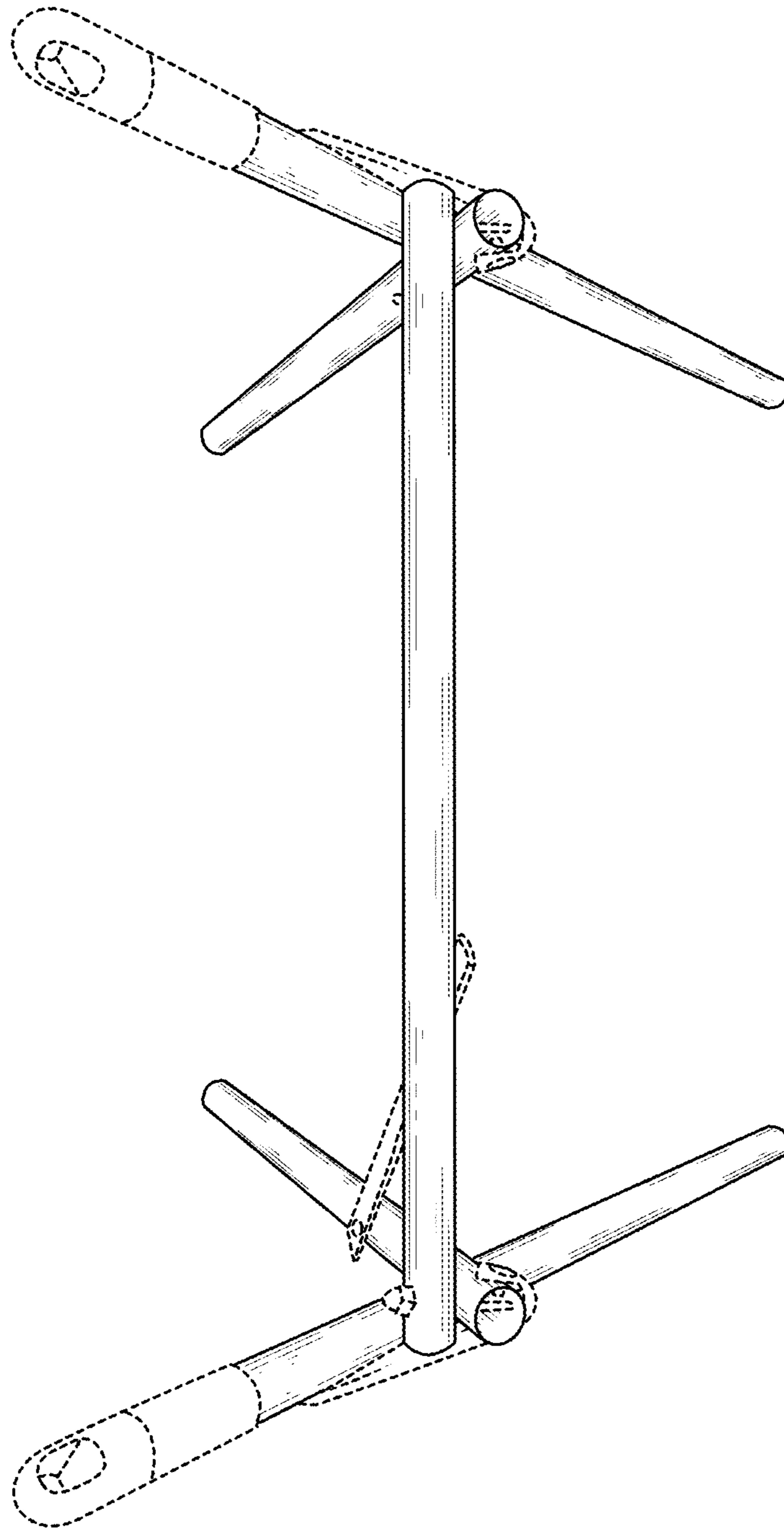


FIG. 7