



US00D839622S

(12) **United States Design Patent** (10) **Patent No.:** **US D839,622 S**
Oyama (45) **Date of Patent:** **** Feb. 5, 2019**

(54) **SEAT FOR AN AUTOMOBILE**
 (71) Applicant: **HONDA MOTOR CO., LTD.**, Tokyo (JP)
 (72) Inventor: **Rikiya Oyama**, Wako (JP)
 (73) Assignee: **HONDA MOTOR CO., LTD.**, Tokyo (JP)
 (**) Term: **15 Years**
 (21) Appl. No.: **29/625,781**
 (22) Filed: **Nov. 13, 2017**

(30) **Foreign Application Priority Data**
 May 16, 2017 (JP) 2017-010361
 (51) **LOC (11) Cl.** **06-01**
 (52) **U.S. Cl.**
 USPC **D6/356**
 (58) **Field of Classification Search**
 USPC D6/334, 356, 360, 369, 370, 371, 373,
 D6/374, 375, 376, 379, 380, 716, 716.1,
 D6/716.2, 716.3, 716.4, 716.5, 716.7;
 D21/521, 533, 548
 CPC .. A47C 3/04; A47C 9/007; A47D 1/00; A61H
 2201/0149; B60N 2/06; B60N 2/20;
 B60N 2/22; B60N 2/58; B60N 2/68;
 B60N 2/80; B60N 2/643; B60N 2/859;
 B60N 2/888; B60N 2/1615; B60N
 2/7035; B60N 2/42745; B60N 2002/0272;
 B60N 2205/35

See application file for complete search history.

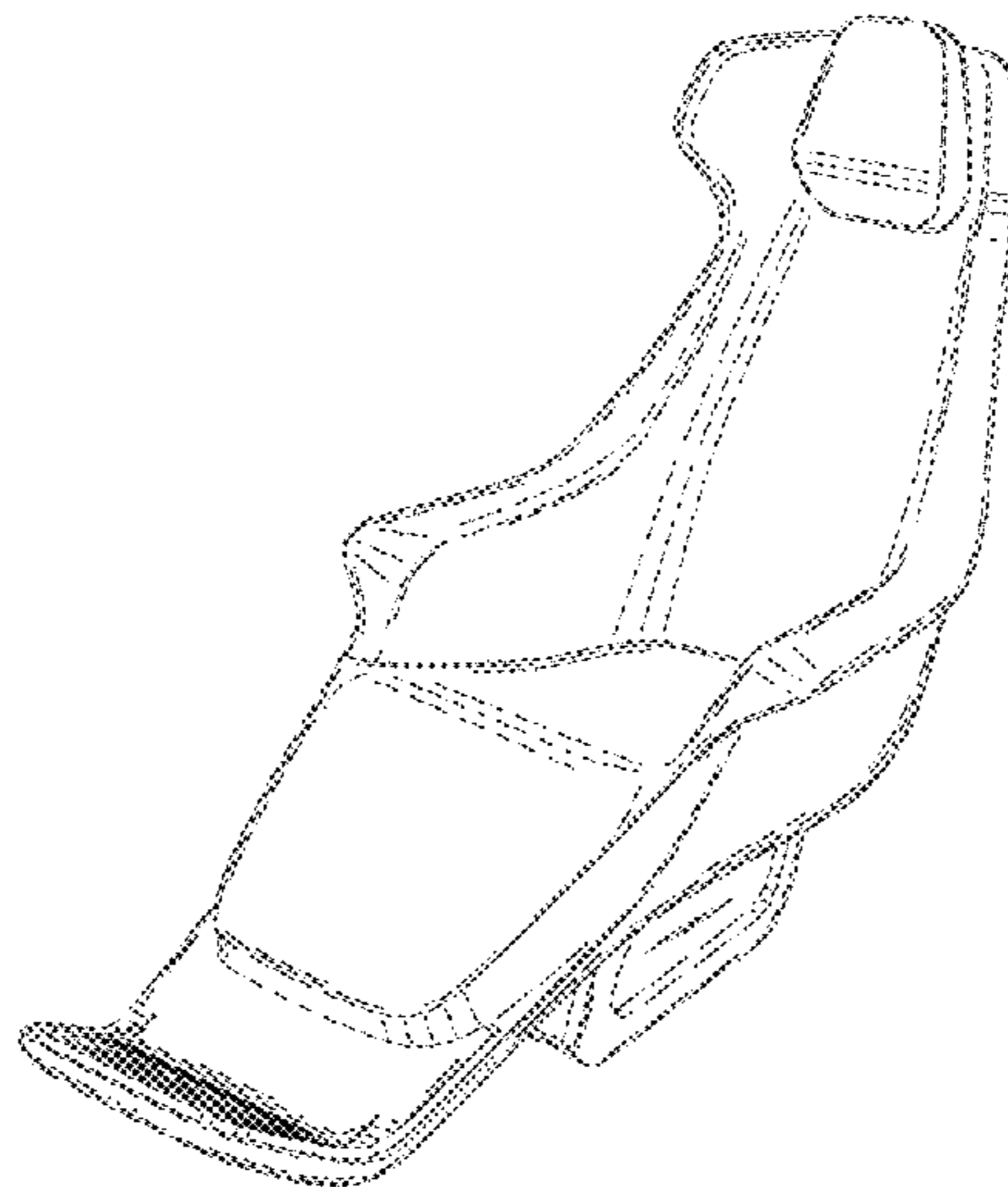
(56) **References Cited**
 U.S. PATENT DOCUMENTS
 D487,981 S * 4/2004 Ludeke D6/356
 D506,084 S * 6/2005 Beermann D6/356
 8,100,472 B2 * 1/2012 Humer B60N 2/4228
 297/216.12
 D655,097 S * 3/2012 Paetzel D6/356
 D665,181 S * 8/2012 Crepeau D6/356
 D696,035 S * 12/2013 Hatter D6/356
 D721,897 S * 2/2015 Ritzel D6/356
 D748,925 S * 2/2016 Paetzel D6/356
 D752,353 S * 3/2016 Owaku D6/356
 9,637,035 B2 * 5/2017 Abe B60N 2/646
 D804,205 S * 12/2017 Godard D6/356
 D817,652 S * 5/2018 Nunn D6/356
 9,987,959 B2 * 6/2018 Hayashi B60N 2/80

* cited by examiner
Primary Examiner — Kevin K Rudzinski
Assistant Examiner — Paul D Bohannon
 (74) *Attorney, Agent, or Firm* — Westerman, Hattori,
 Daniels & Adrian, LLP

(57) **CLAIM**
 The ornamental design for a seat for an automobile, as
 shown and described herein.

DESCRIPTION
 FIG. 1 is a front perspective view of a seat for an automo-
 bile;
 FIG. 2 is a rear perspective view thereof;
 FIG. 3 is a front view thereof;
 FIG. 4 is a top plan view thereof;
 FIG. 5 is a left side view thereof;
 FIG. 6 is a right side view thereof; and,
 FIG. 7 is a rear view thereof.

1 Claim, 7 Drawing Sheets



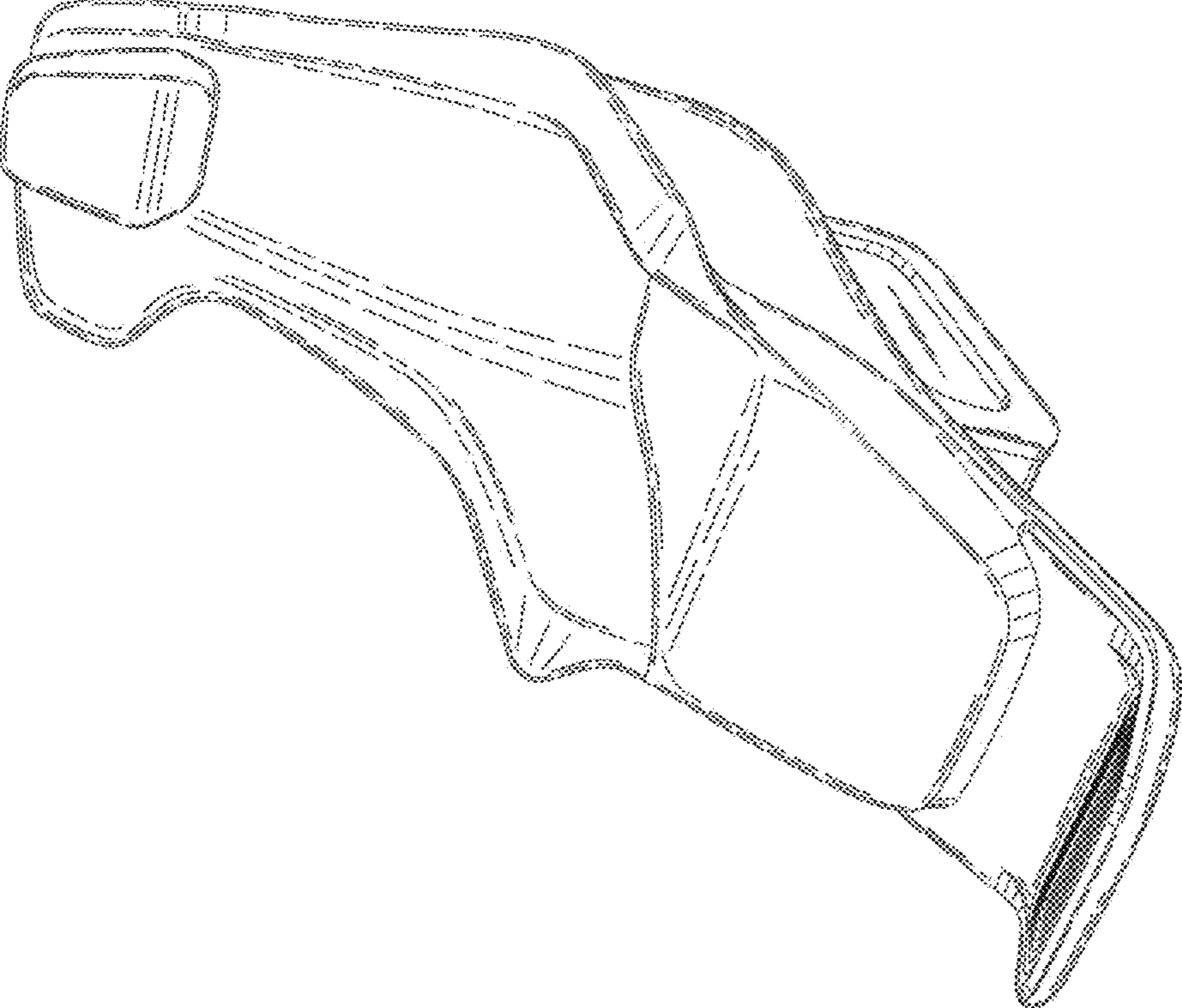


FIG. 1

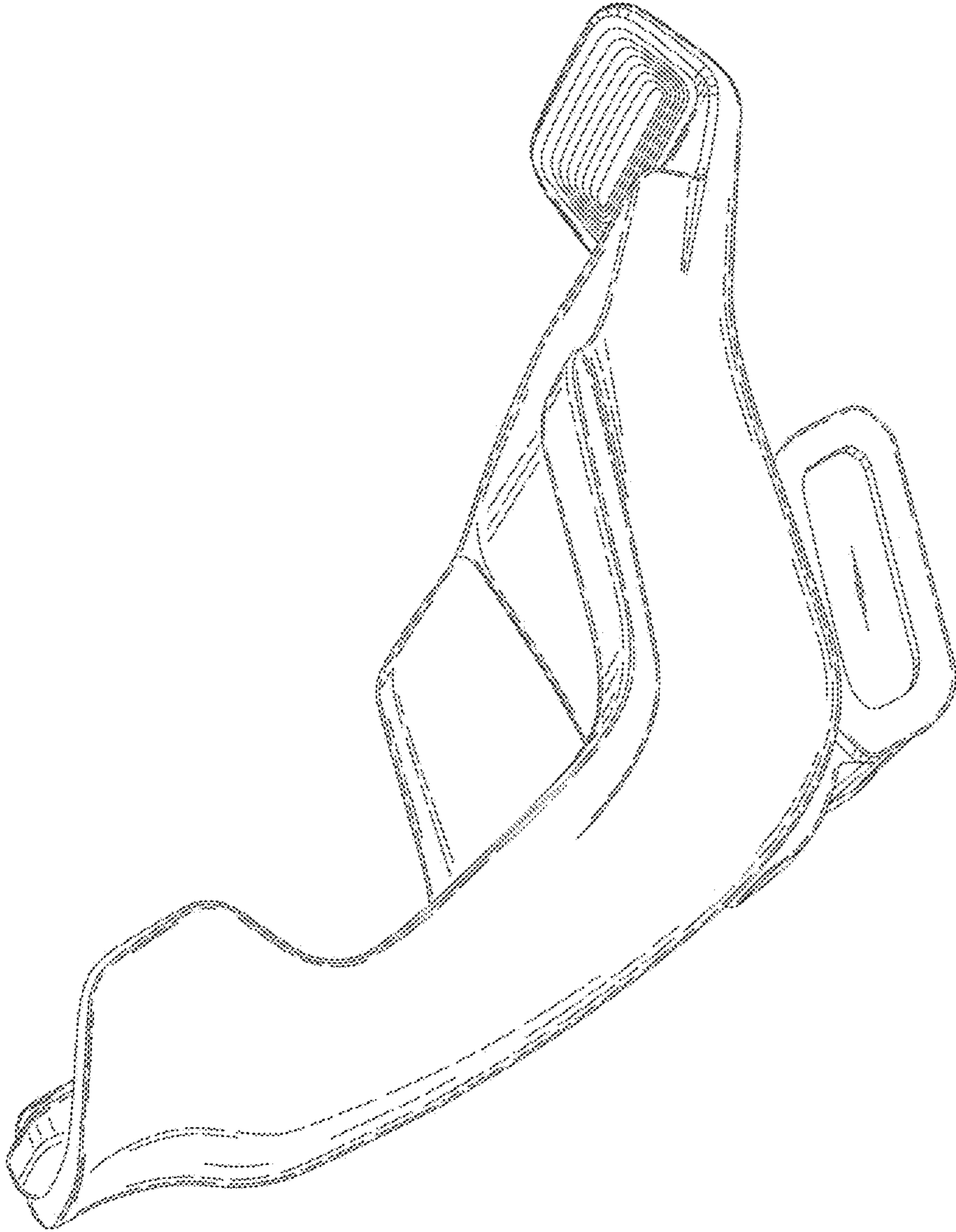


FIG.2

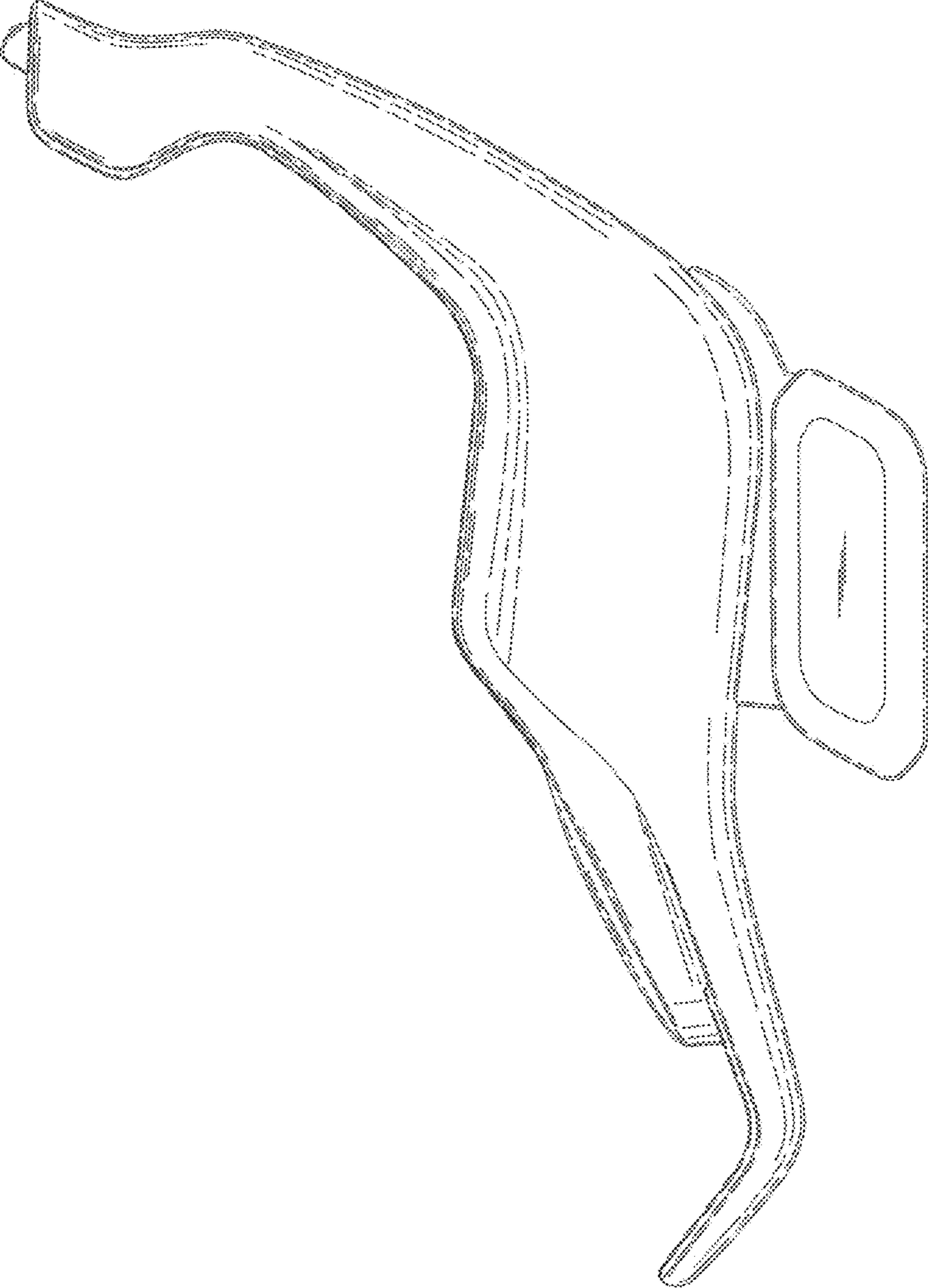


FIG.3

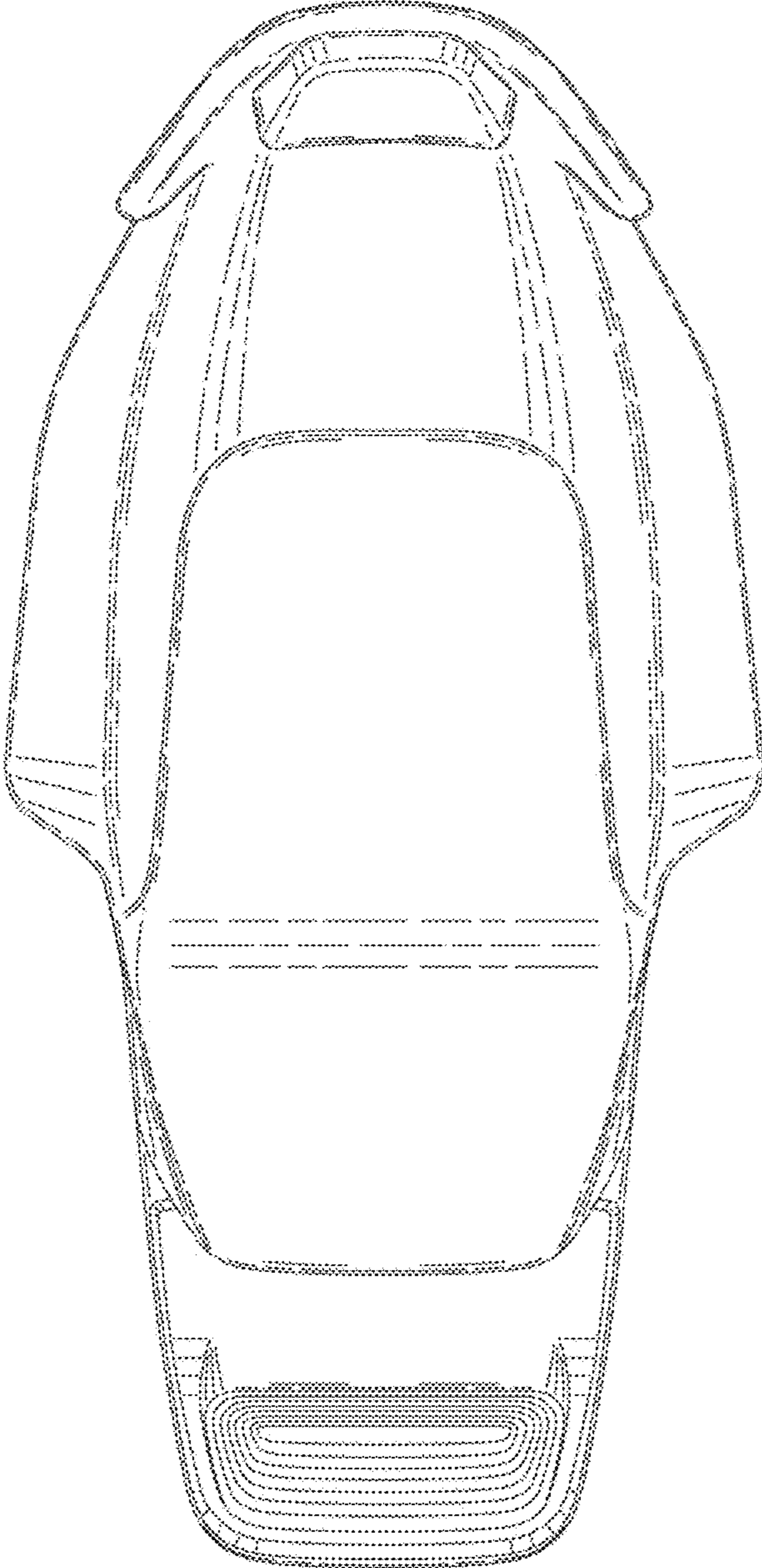


FIG.4

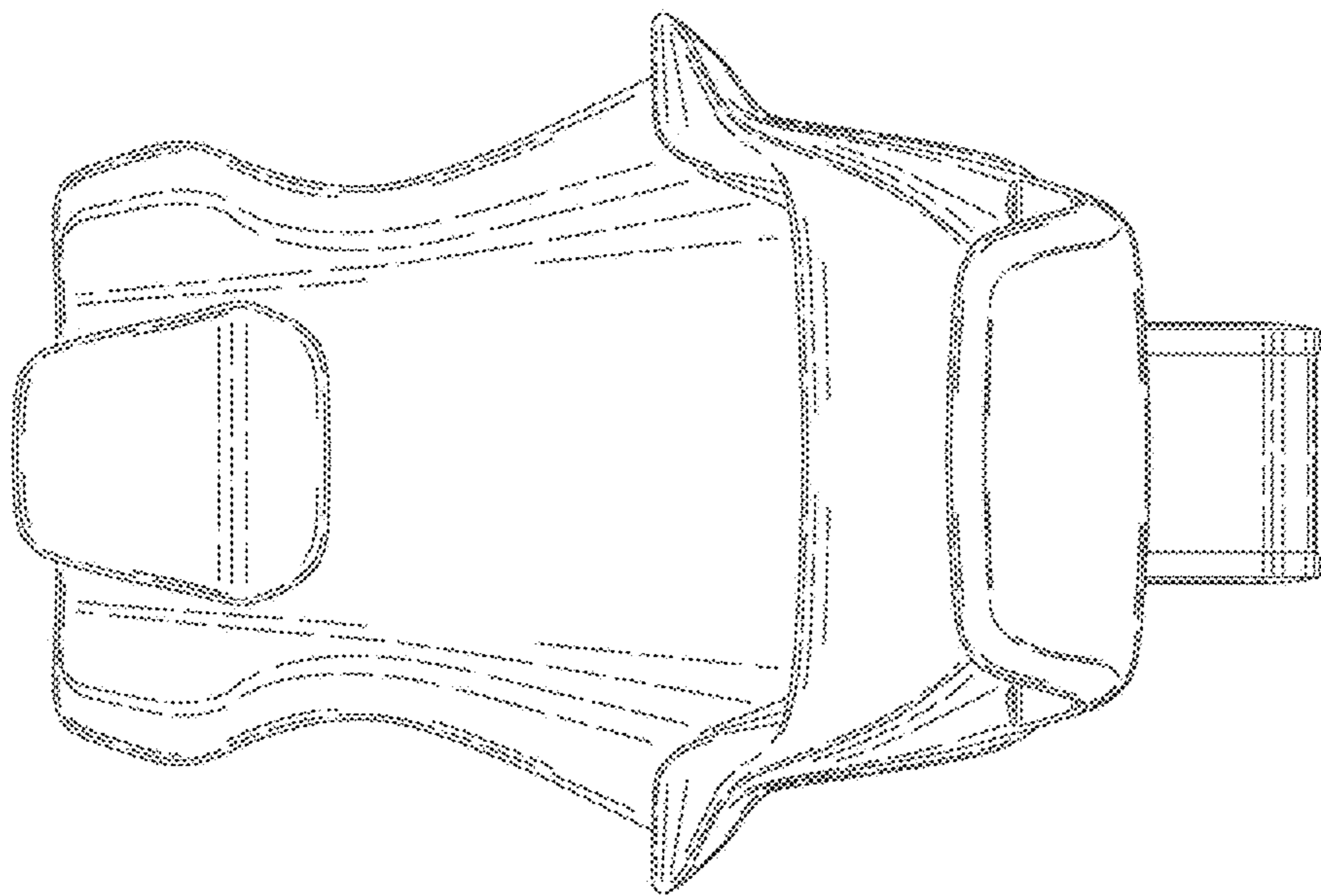


FIG.5

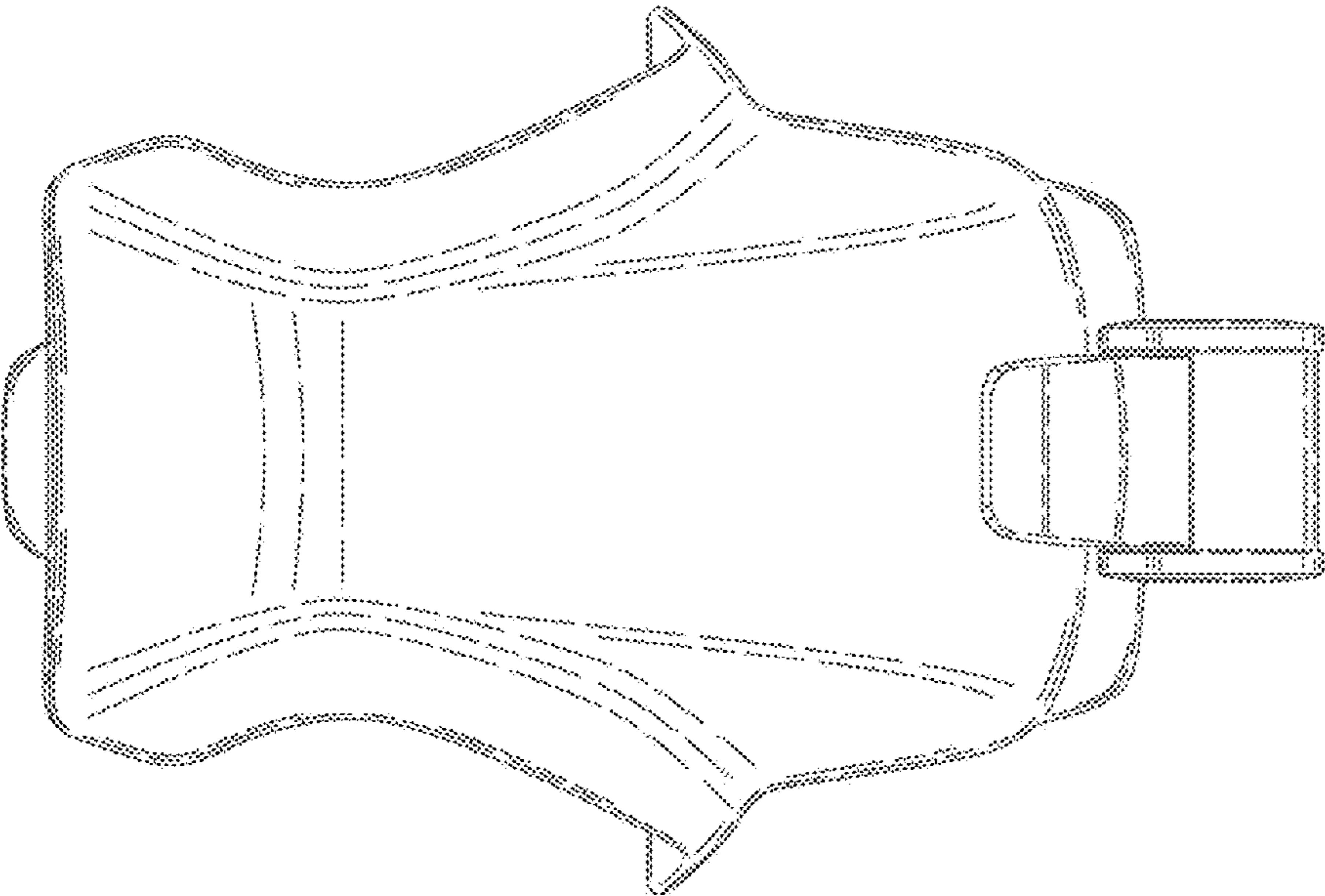


FIG.6

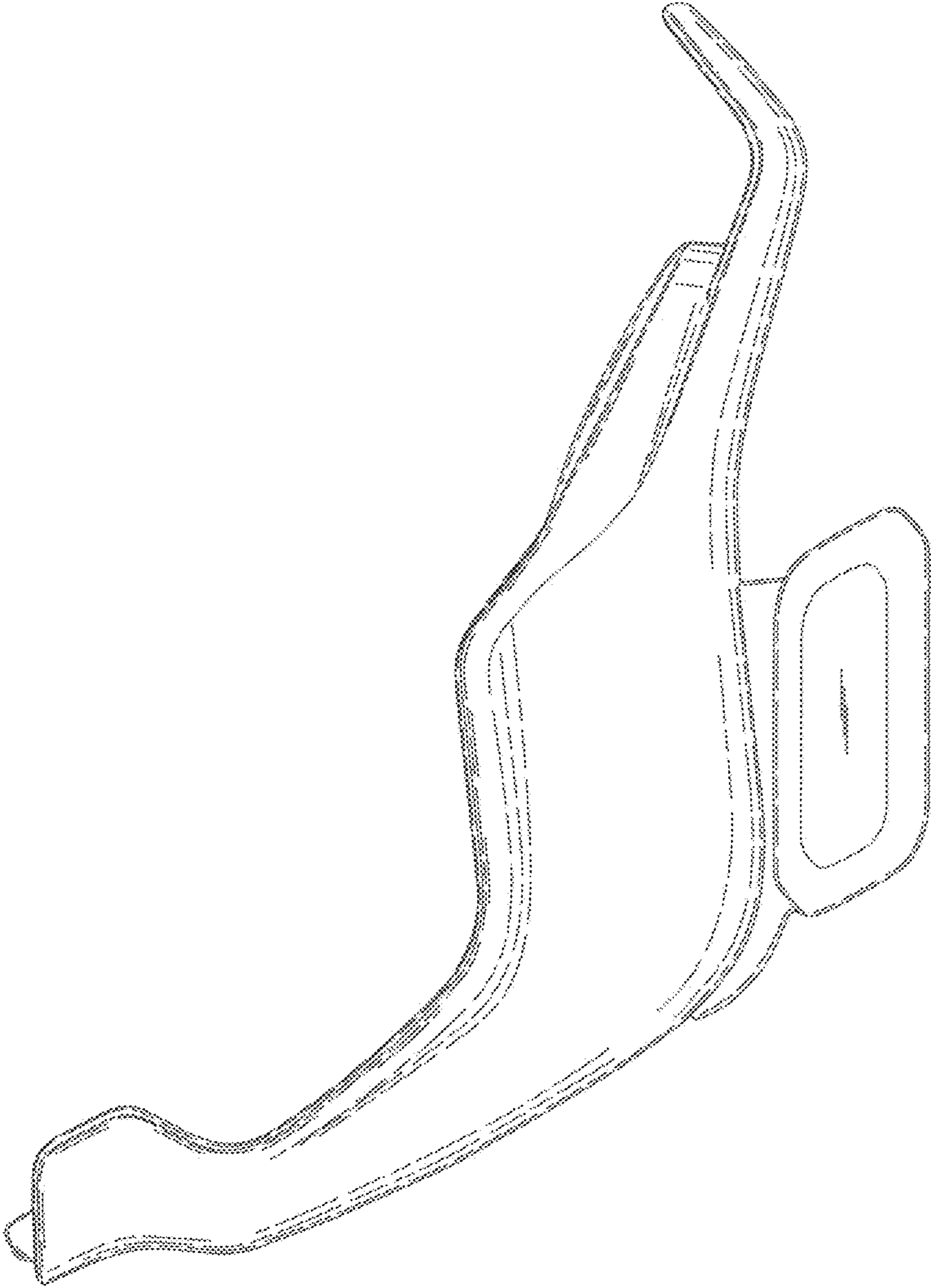


FIG.7