



US00D839619S

(12) **United States Design Patent** (10) **Patent No.:** **US D839,619 S**  
**Umholtz et al.** (45) **Date of Patent:** **\*\* Feb. 5, 2019**

(54) **SUCTION SOAP DISH**  
(71) Applicants: **Mason Adam Umholtz**, Brooklyn, NY (US); **Francois de Matrin-Donos**, Brooklyn, NY (US); **Kirsten Climer**, Brooklyn, NY (US); **Koby Trout**, Brooklyn, NY (US)  
(72) Inventors: **Mason Adam Umholtz**, Brooklyn, NY (US); **Francois de Matrin-Donos**, Brooklyn, NY (US); **Kirsten Climer**, Brooklyn, NY (US); **Koby Trout**, Brooklyn, NY (US)

D356,914 S *	4/1995	Cecula .....	D6/536
D375,859 S *	11/1996	Sharpe .....	D6/536
D425,350 S *	5/2000	Roth .....	D6/540
D478,232 S *	8/2003	Dretzka .....	D6/536
D485,105 S *	1/2004	Loor .....	D6/536
D498,103 S *	11/2004	Dretzka .....	D6/536
D599,596 S *	9/2009	Ghiorghie .....	D6/536
D625,943 S *	10/2010	Yang .....	D6/536
D679,530 S *	4/2013	Gilboe .....	D6/540
D757,458 S *	5/2016	Snell .....	D6/536
D764,117 S *	8/2016	Fang .....	D30/132
2016/0143488 A1 *	5/2016	Hierath .....	F26B 5/00 248/346.11

\* cited by examiner

(73) Assignee: **HELEN OF TROY LIMITED**, ST. Michael (BB)  
(\*\*) Term: **15 Years**

*Primary Examiner* — Wan Laymon  
*Assistant Examiner* — Mark Booker

(21) Appl. No.: **29/602,526**  
(22) Filed: **May 1, 2017**  
(51) **LOC (11) Cl.** ..... **23-02**  
(52) **U.S. Cl.**  
USPC ..... **D6/356**  
(58) **Field of Classification Search**  
USPC ..... D6/536, 708.18, 529, 532, 539-540;  
D7/502, 550.1, 554.2; D30/121, 128,  
D30/130, 132, 133; 108/154, 155;  
206/557, 823  
CPC ... A47K 5/03; A47K 5/02; A47K 5/04; A47K  
5/05; A47K 7/03; A45D 27/16  
See application file for complete search history.

(57) **CLAIM**

The ornamental design for a suction soap dish, as shown, and described.

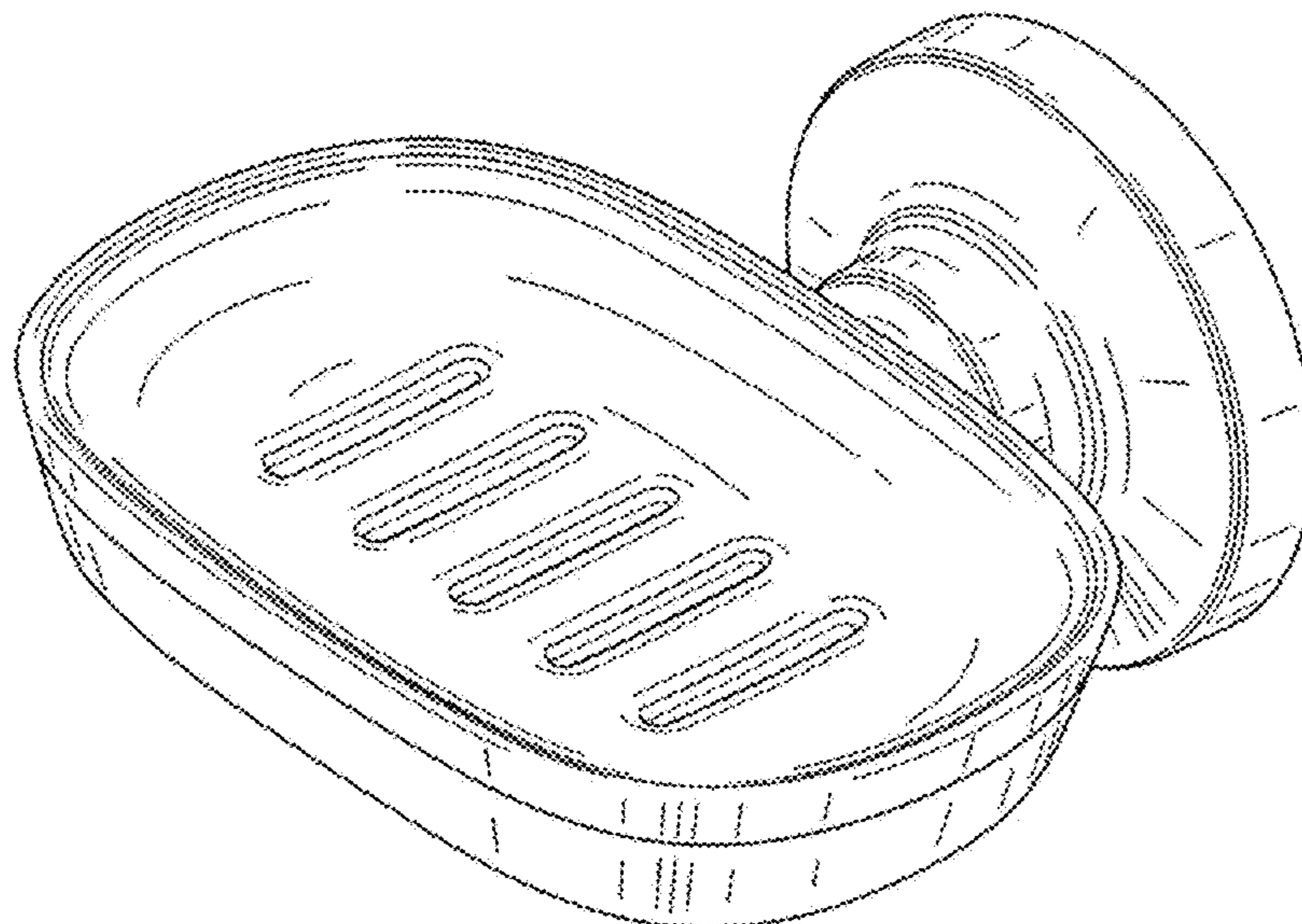
**DESCRIPTION**

FIG. 1 is a perspective view of the suction soap dish; FIG. 2 is a front view of the suction soap dish; FIG. 3 is a rear view of the suction soap dish; FIG. 4 is a side view of the suction soap dish; FIG. 5 is a top view of the suction soap dish; and, FIG. 6 is a bottom view of the suction soap dish. The broken lines shown in the figures represent portions of the suction soap dish that form no part of the claimed design.

(56) **References Cited**  
U.S. PATENT DOCUMENTS

D266,635 S *	10/1982	Fleischmann .....	D6/540
D346,928 S *	5/1994	Shames .....	D6/540

**1 Claim, 6 Drawing Sheets**



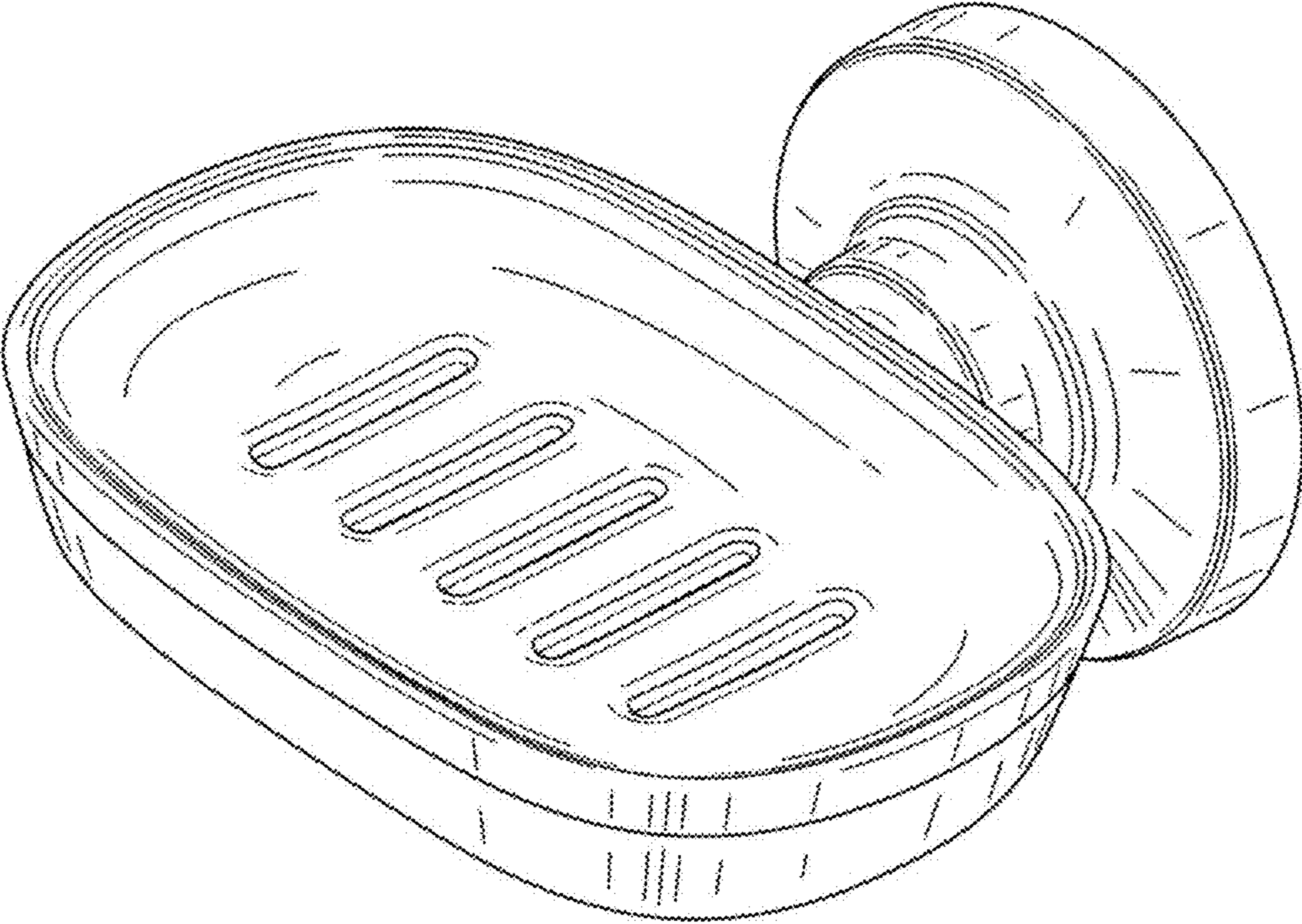


FIG. 1

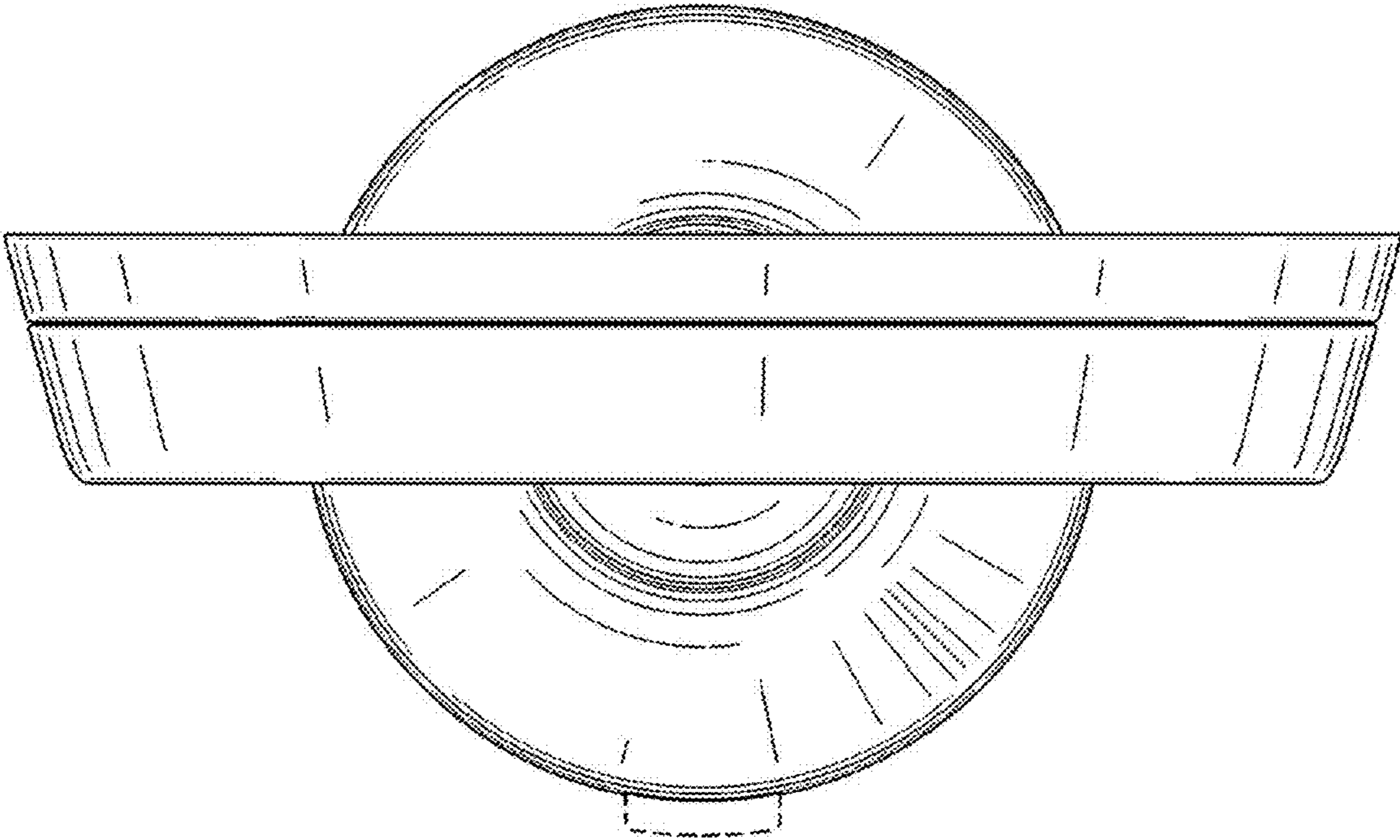


FIG. 2

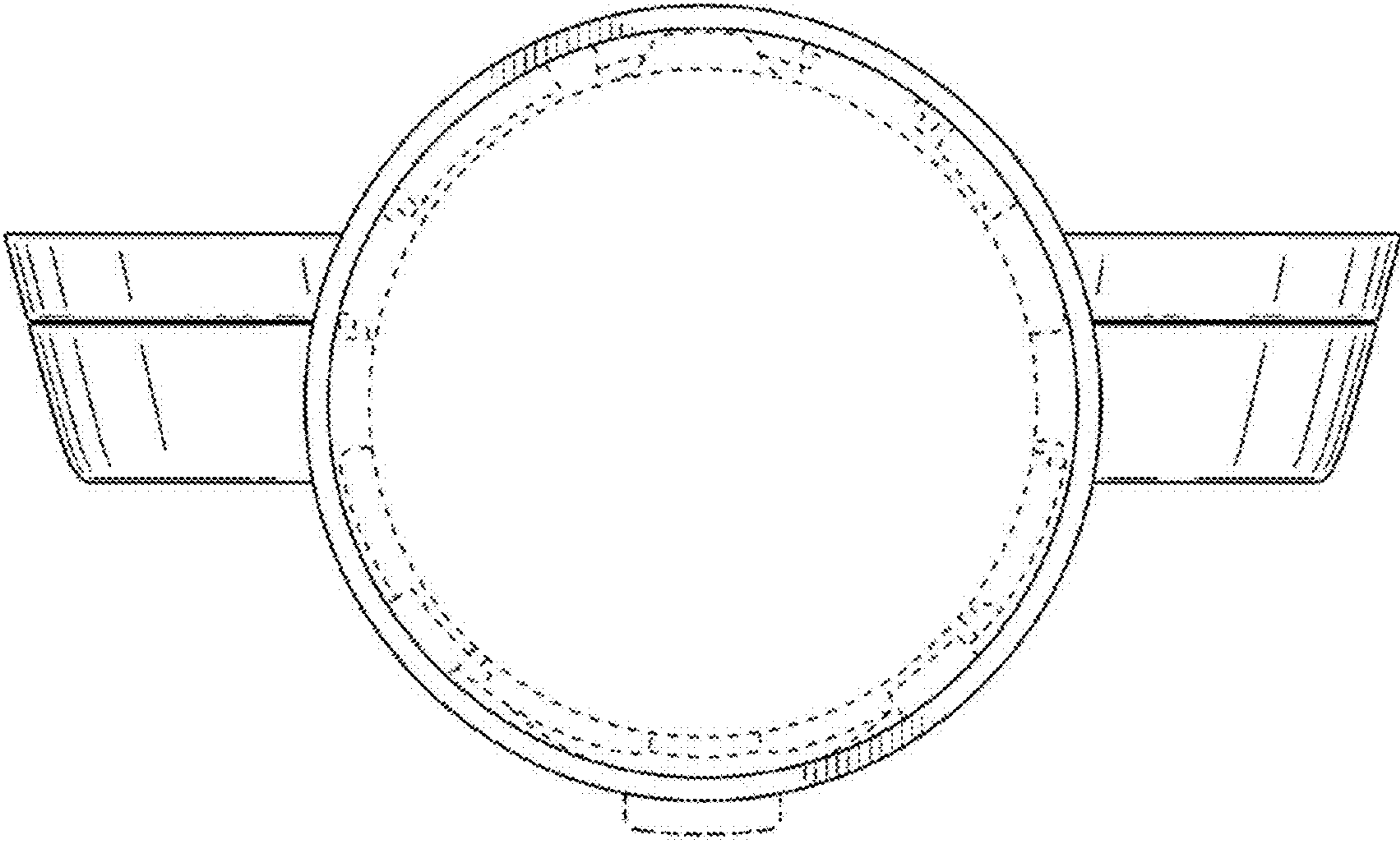


FIG. 3



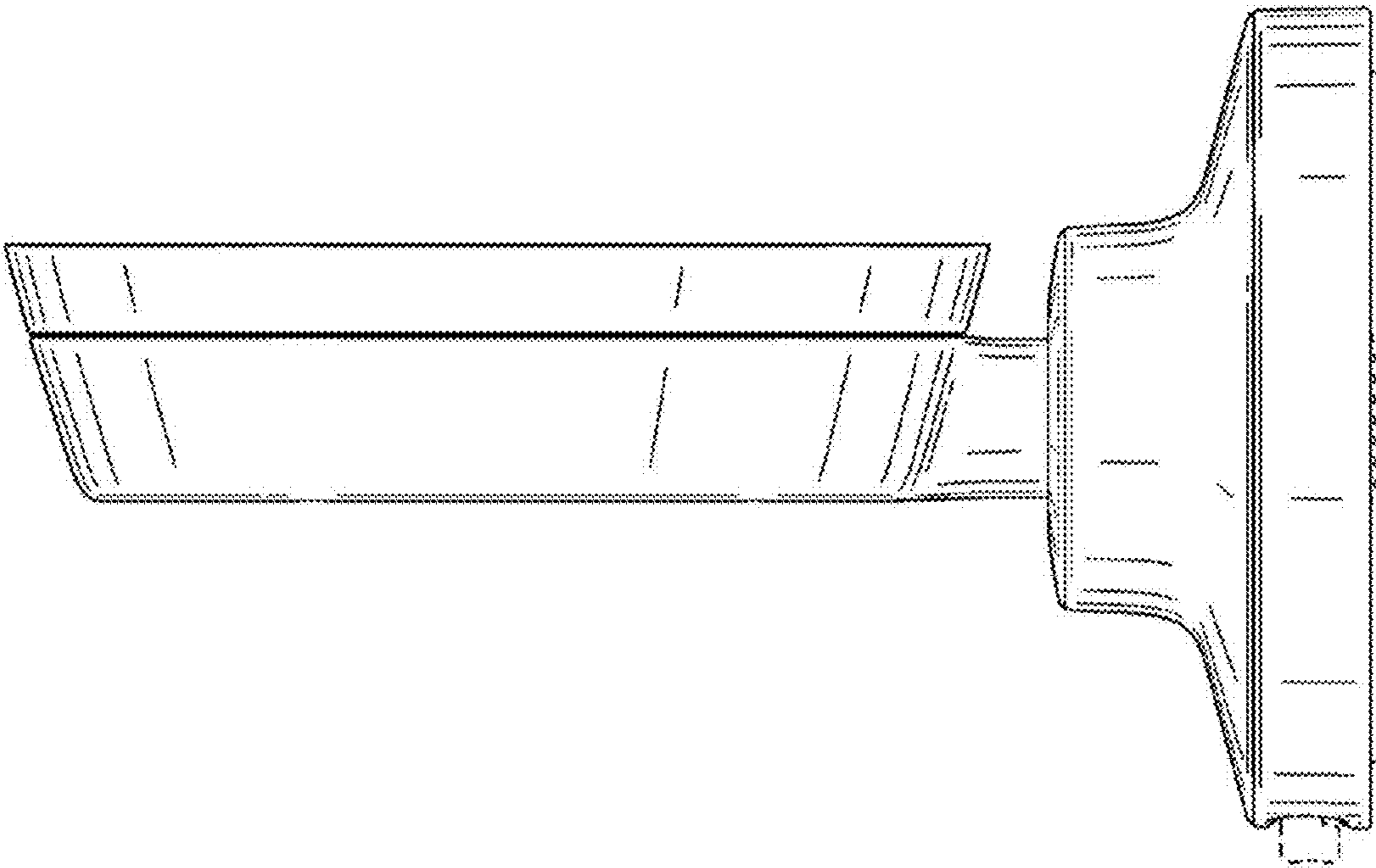


FIG. 4

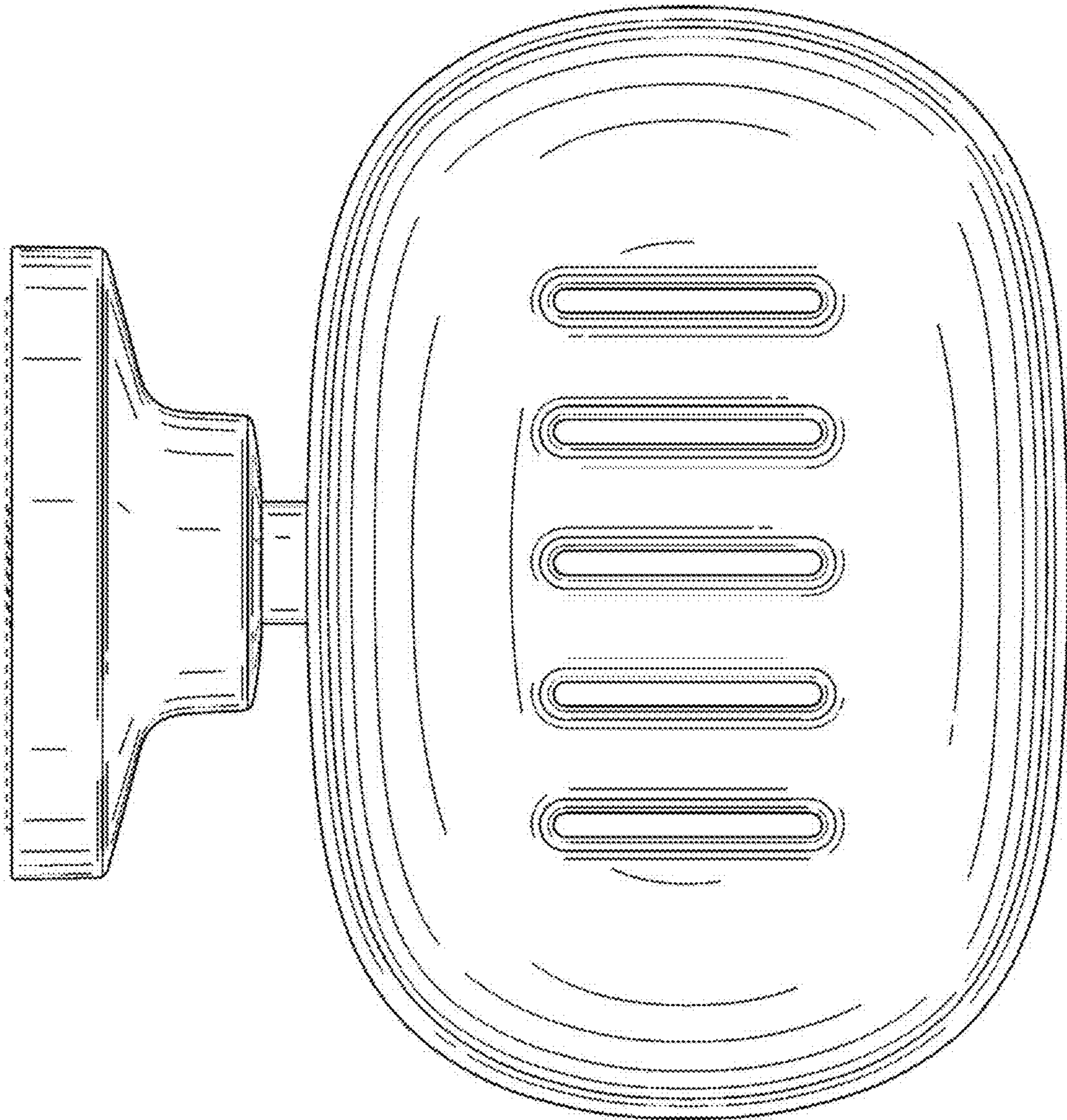


FIG. 5

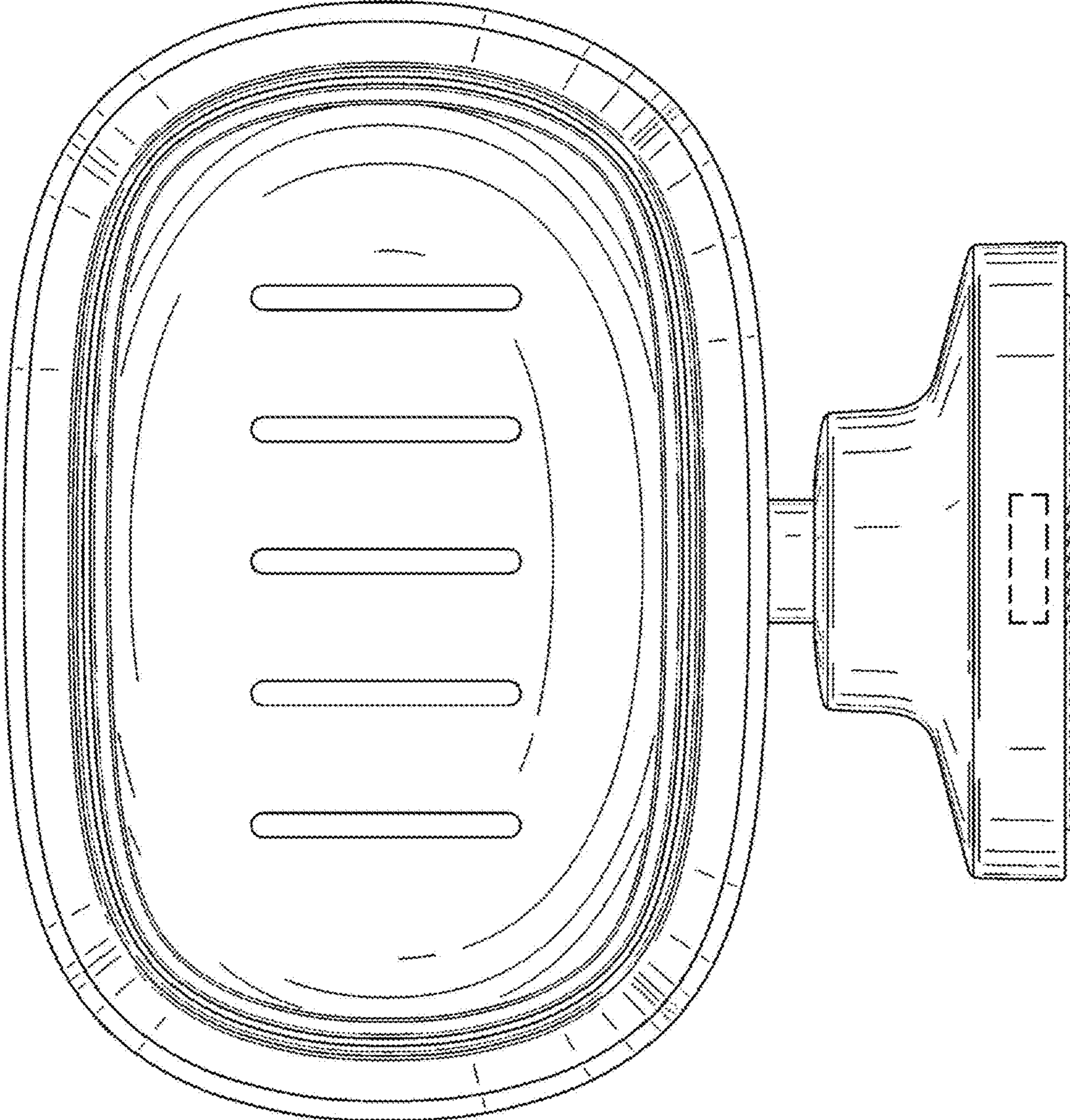


FIG. 6