



US00D839618S

(12) **United States Design Patent**  
**Climent et al.**

(10) **Patent No.:** **US D839,618 S**

(45) **Date of Patent:** **\*\* Feb. 5, 2019**

(54) **BENCH**

(71) Applicant: **SANTA & COLE NEOSERIES S.L.**,  
La Roca del Valles (ES)

(72) Inventors: **Olga Tarrasó Climent**, Barcelona (ES);  
**Julià Espinàs Casas**, Barcelona (ES)

(73) Assignee: **SANTA & COLE NEOSERIES S.L.**,  
La Roca del Valles (ES)

(\*\*) Term: **15 Years**

(21) Appl. No.: **35/503,031**

(22) Filed: **Apr. 27, 2017**

(80) **Hague Agreement Data**

Int. Filing Date: **Apr. 27, 2017**

Int. Reg. No.: **DM/096029**

Int. Reg. Date: **Apr. 27, 2017**

Int. Reg. Pub. Date: **May 26, 2017**

(30) **Foreign Application Priority Data**

Nov. 18, 2016 (EM) ..... 003472216-0001

(51) **LOC (11) Cl.** ..... **06-01**

(52) **U.S. Cl.**  
USPC ..... **D6/349**

(58) **Field of Classification Search**  
USPC ..... D6/334, 337, 338, 349, 374, 376, 381,  
D6/675.691, 691.1, 691.6  
CPC .... A47C 3/00; A47C 4/02; A47C 4/18; A47C  
5/00; A47C 7/00; A47C 7/02; A47C 7/21;  
A47C 7/16; A47C 7/36; A47C 11/00;  
A47C 11/005; A47B 13/08; A47B 83/02;  
A47B 85/00; A47B 85/04  
See application file for complete search history.

(56) **References Cited**

U.S. PATENT DOCUMENTS

1,818,428 A \* 8/1931 Magnus ..... A47C 11/00  
108/115

2,481,935 A \* 9/1949 Larson ..... A47B 85/04  
297/121

2,856,985 A \* 10/1958 Lepper ..... A47B 83/02  
297/124

3,093,096 A \* 6/1963 Black ..... A47B 13/08  
248/163.1

D248,903 S \* 8/1978 O'Connor ..... D6/337

5,398,990 A \* 3/1995 Watts ..... A47B 85/00  
297/127

5,921,626 A \* 7/1999 Baker ..... A47C 7/021  
297/219.1

D423,258 S \* 4/2000 Pinch ..... D6/708.16

D455,277 S \* 4/2002 Hutton ..... D6/349

D581,188 S \* 11/2008 Skalka ..... D6/691.1

D660,025 S \* 5/2012 Rivera, Jr. .... D6/338

D714,561 S \* 10/2014 Lange ..... D6/349

9,730,521 B2 \* 8/2017 Paterson ..... A47C 7/16

D798,073 S \* 9/2017 Asner ..... D6/349

D812,386 S \* 3/2018 Asner ..... D6/337

2017/0196359 A1 \* 7/2017 Paterson ..... A47C 7/16

\* cited by examiner

*Primary Examiner* — Mary Ann Calabrese  
(74) *Attorney, Agent, or Firm* — Staas & Halsey LLP

(57) **CLAIM**

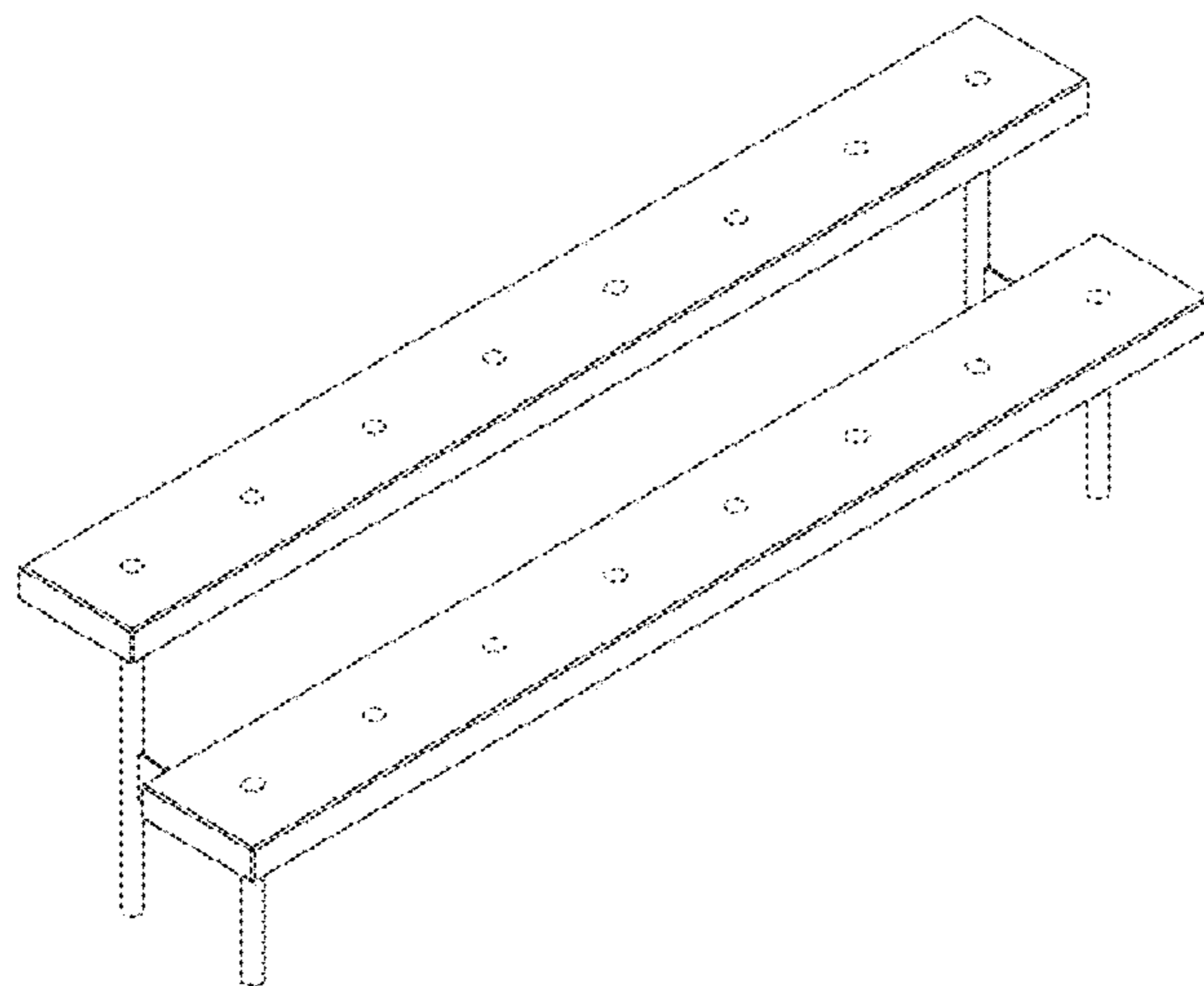
The ornamental design for a bench, as shown and described.

**DESCRIPTION**

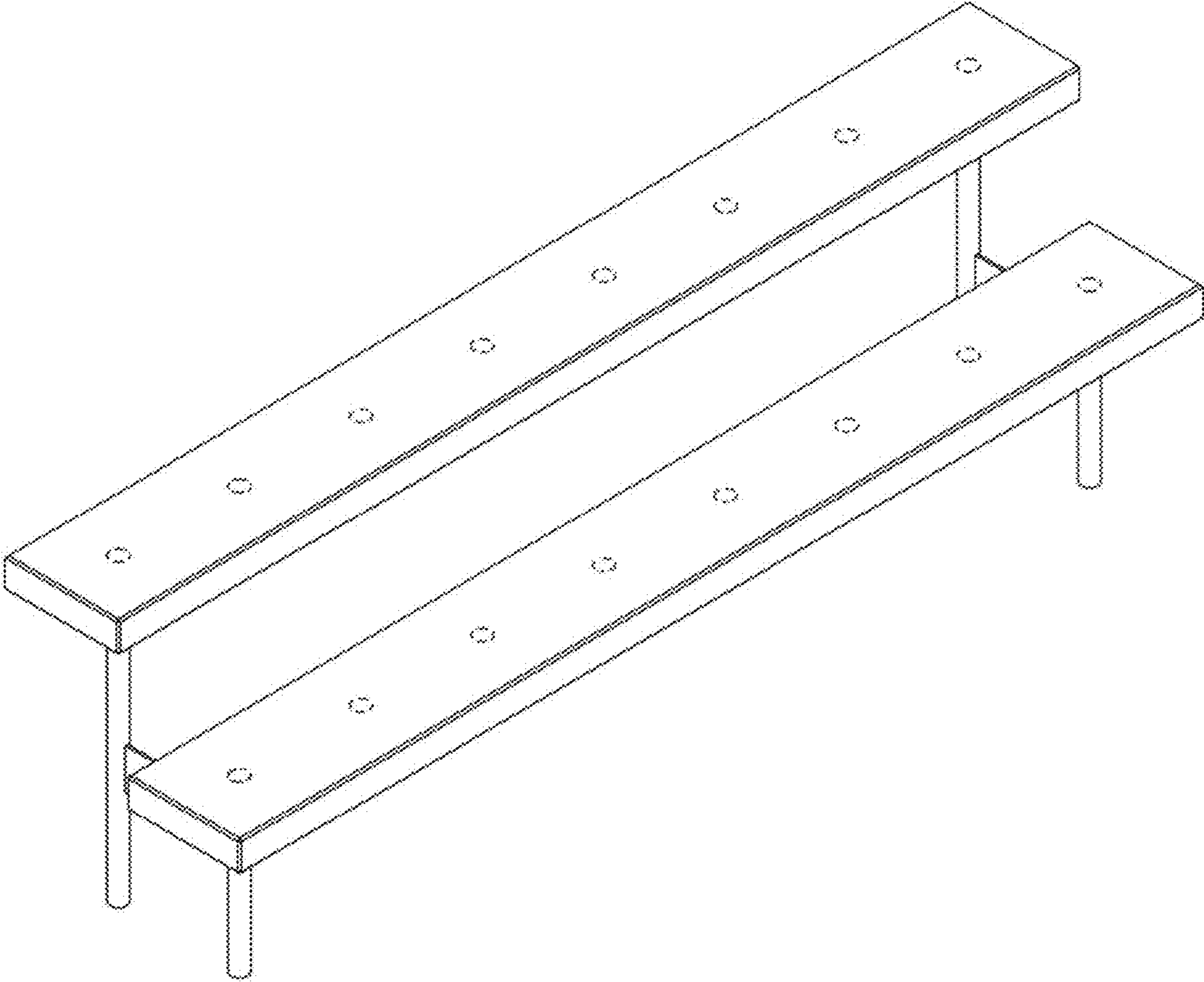
- 1. Bench
- 1.1 : Perspective
- 1.2 : Front
- 1.3 : Left
- 1.4 : Top
- 1.5 : Right
- 1.6 : Back
- 1.7 : Bottom

The portions of the bench shown in broken lines form no part of the claimed design.

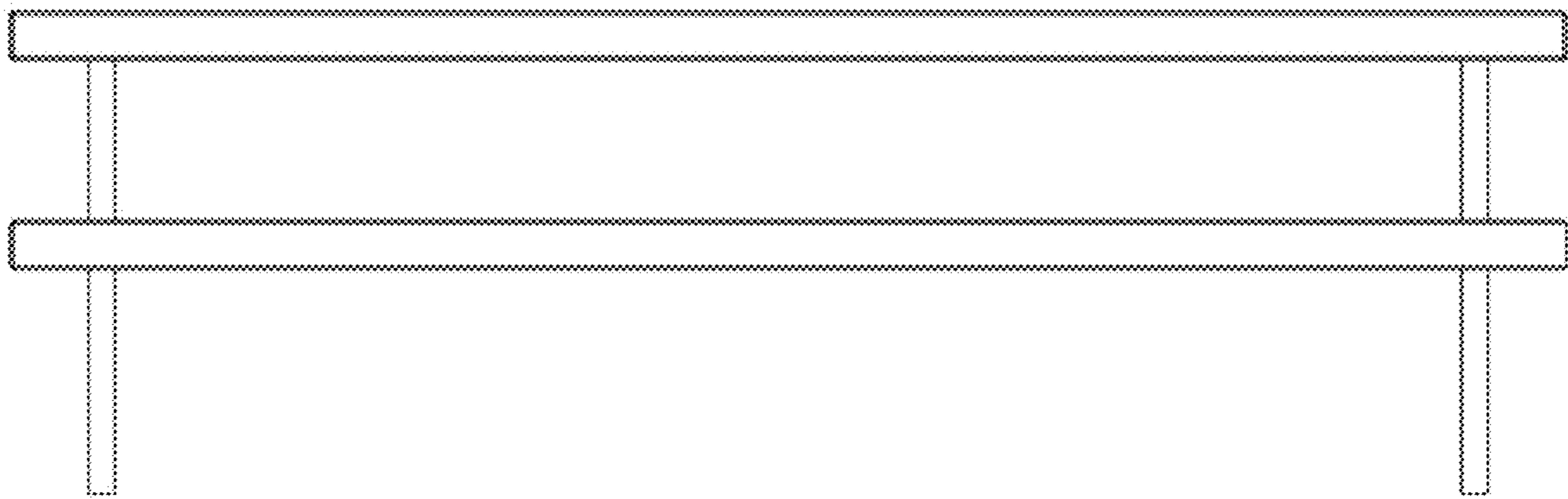
**1 Claim, 7 Drawing Sheets**



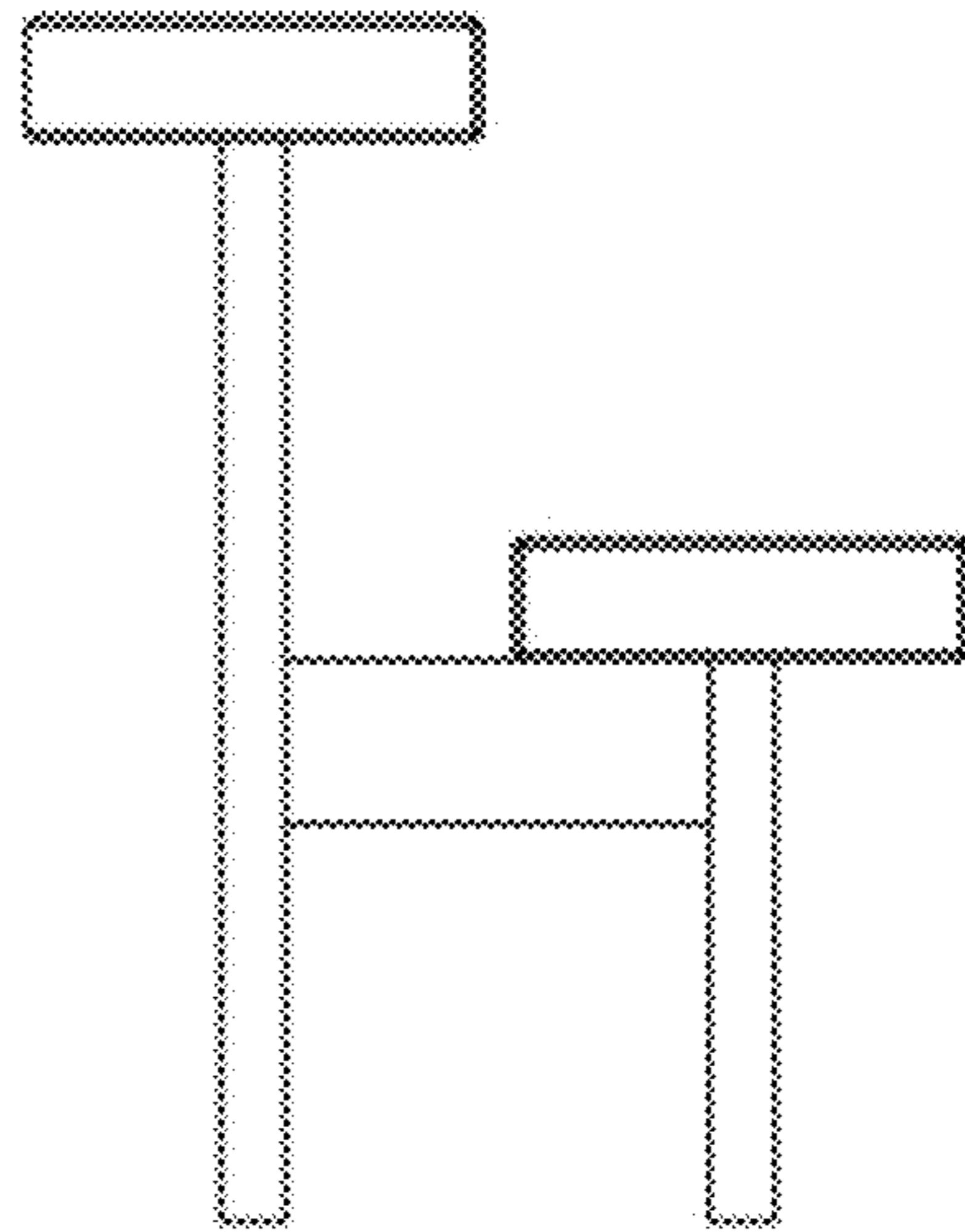
1.1



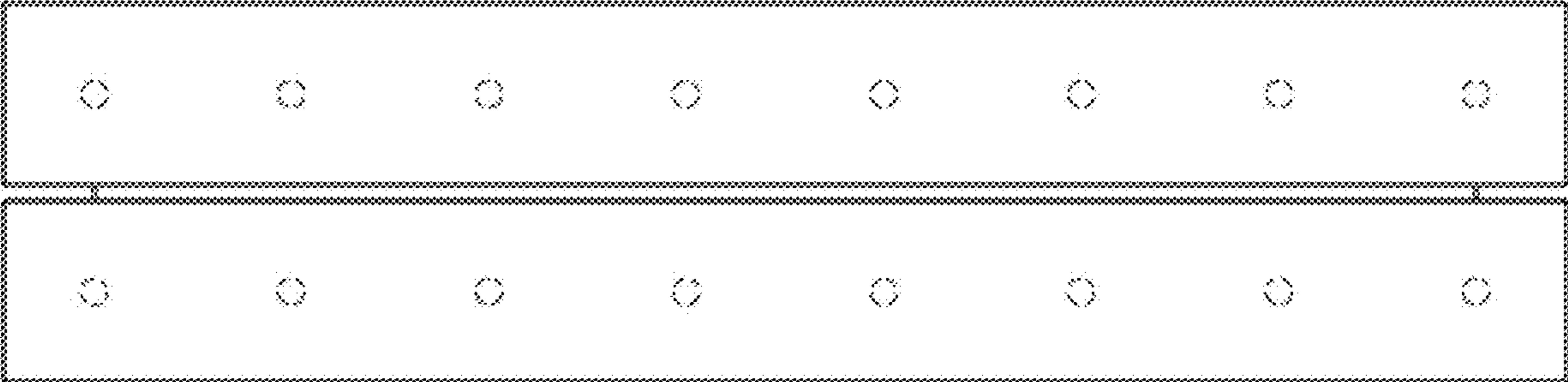
1.2



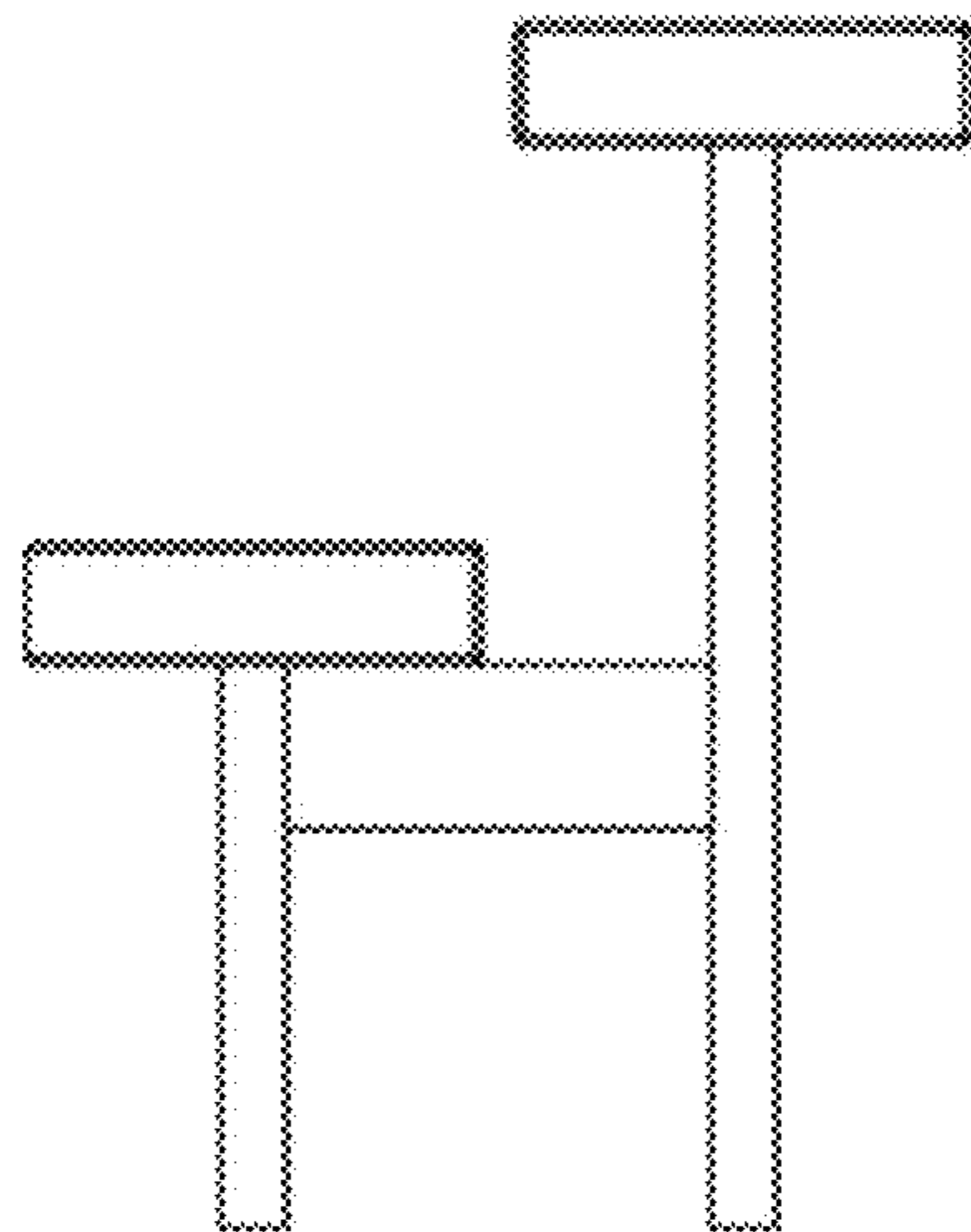
1.3



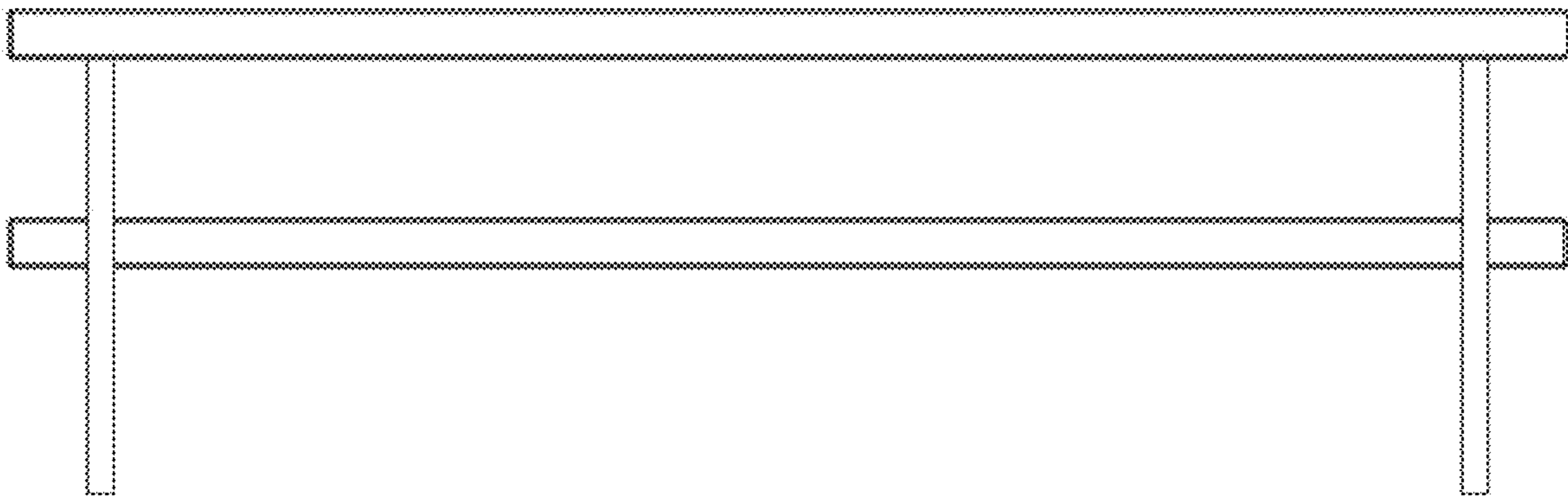
1.4



1.5



1.6



1.7

