



US00D839617S

(12) **United States Design Patent** (10) **Patent No.:** **US D839,617 S**
Tarrasó Climent et al. (45) **Date of Patent:** **** Feb. 5, 2019**

(54) **BENCH**
(71) Applicant: **SANTA & COLE NEOSERIES S.L.**,
La Roca del Valles (ES)
(72) Inventors: **Olga Tarrasó Climent**, Barcelona (ES);
Julià Espinàs Casas, Barcelona (ES)
(73) Assignee: **SANTA & COLE NEOSERIES S.L.**,
La Roca del Valles (ES)
(**) Term: **15 Years**
(21) Appl. No.: **35/503,024**
(22) Filed: **Apr. 27, 2017**
(80) **Hague Agreement Data**
Int. Filing Date: **Apr. 27, 2017**
Int. Reg. No.: **DM/096030**
Int. Reg. Date: **Apr. 27, 2017**
Int. Reg. Pub. Date: **May 26, 2017**

(30) **Foreign Application Priority Data**
Nov. 18, 2016 (EM) 003472216-0002

(51) **LOC (11) Cl.** **06-01**
(52) **U.S. Cl.**
USPC **D6/349**

(58) **Field of Classification Search**
USPC D6/334, 337, 338, 349, 374, 376, 381,
D6/691, 691.1, 691.6
CPC A47C 3/00; A47C 4/02; A47C 4/18; A47C
5/00; A47C 7/00; A47C 7/02; A47C 7/21;
A47C 7/16; A47C 7/36; A47C 11/00;
A47C 11/005; A47B 13/08; A47B 83/02;
A47B 85/00; A47B 85/04
See application file for complete search history.

(56) **References Cited**
U.S. PATENT DOCUMENTS
1,818,428 A * 8/1931 Paysen A47C 11/00
108/115
2,481,935 A * 9/1949 Larson A47B 85/04
297/121

2,856,985 A * 10/1958 Lepper A47B 83/02
297/124
3,093,096 A * 6/1963 Black A47B 13/08
248/163.1
D248,903 S * 8/1978 O'Connor D6/337
5,398,990 A * 3/1995 Watts A47B 85/00
297/127
5,921,626 A * 7/1999 Baker A47C 7/021
297/219.1
D423,258 S * 4/2000 Pinch D6/708.16
D455,277 S * 4/2002 Hutton D6/349
D581,188 S * 11/2008 Skalka D6/691.1
D660,025 S * 5/2012 Rivera, Jr. D6/338
D714,561 S * 10/2014 Lange D6/349
9,730,521 B2 * 8/2017 Paterson A47C 7/16
D798,073 S * 9/2017 Asner D6/349
D812,386 S * 3/2018 Asner D6/337
2017/0196359 A1 * 7/2017 Paterson A47C 7/16

* cited by examiner

Primary Examiner — Mary Ann Calabrese
(74) *Attorney, Agent, or Firm* — Staas & Halsey LLP

(57) **CLAIM**

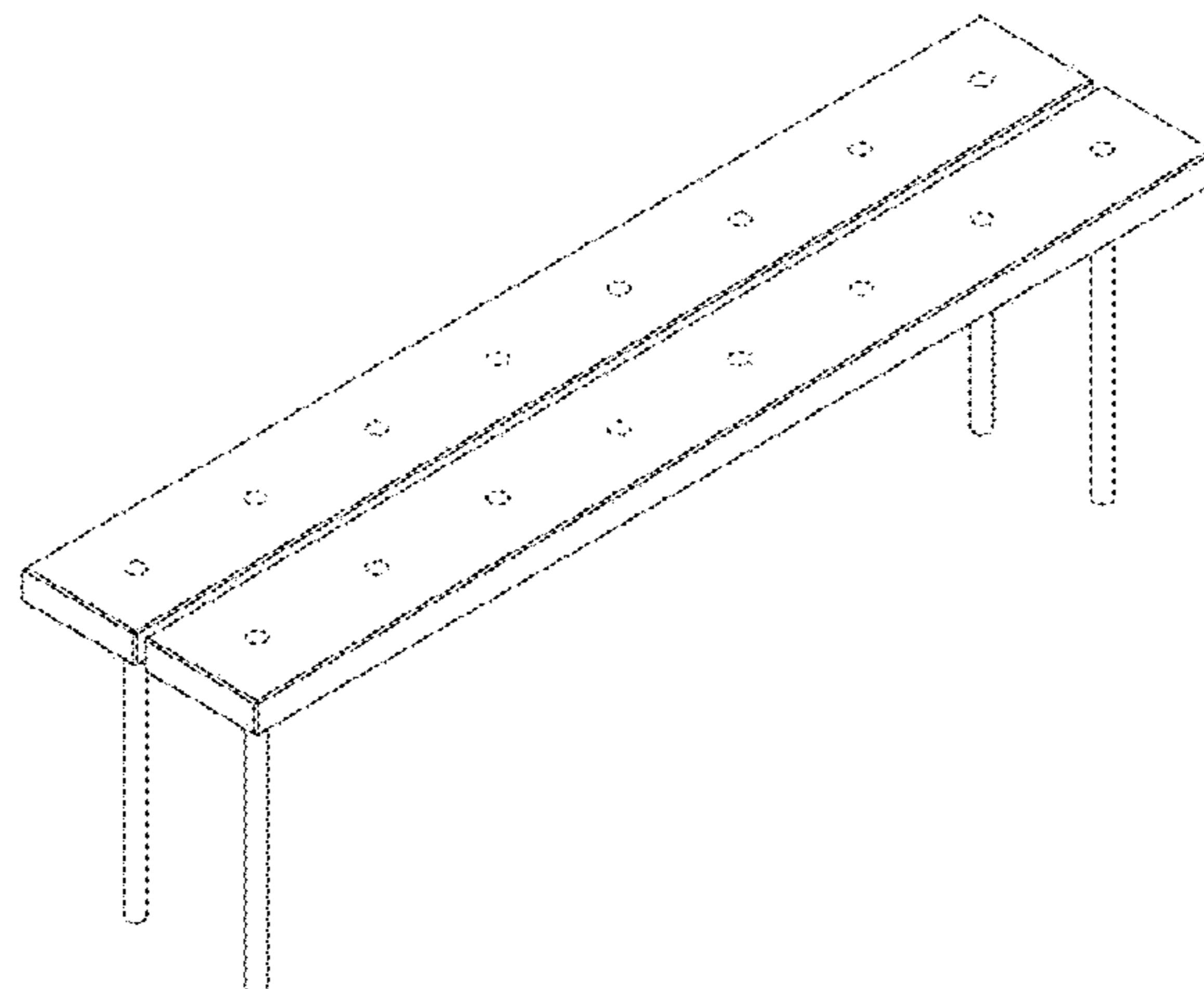
The ornamental design for a bench, as shown and described.

DESCRIPTION

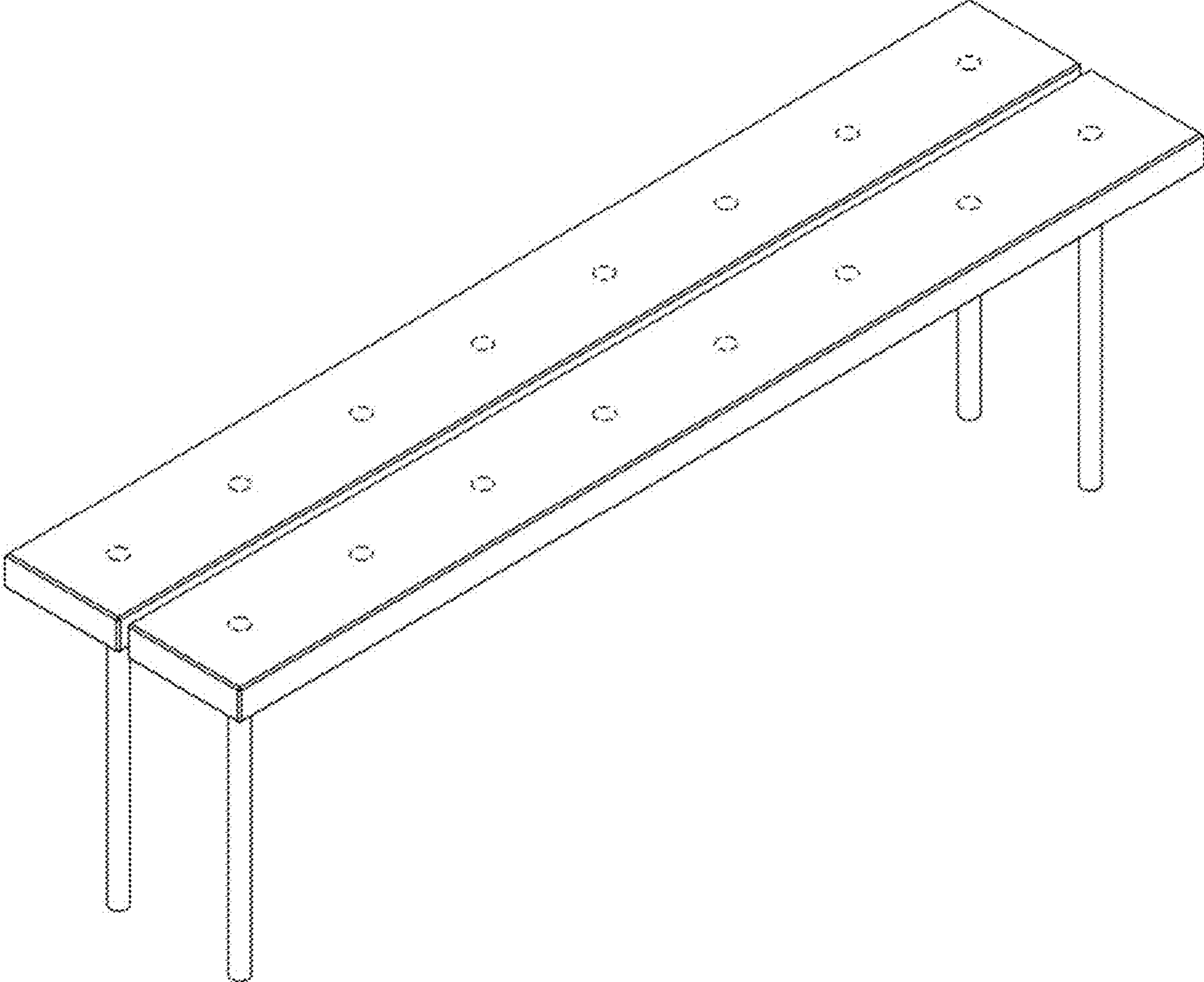
- 1. Bench
- 1.1 : Perspective
- 1.2 : Front
- 1.3 : Left
- 1.4 : Top
- 1.5 : Right
- 1.6 : Back
- 1.7 : Bottom

The portions of the bench shown in broken lines form no part of the claimed design.

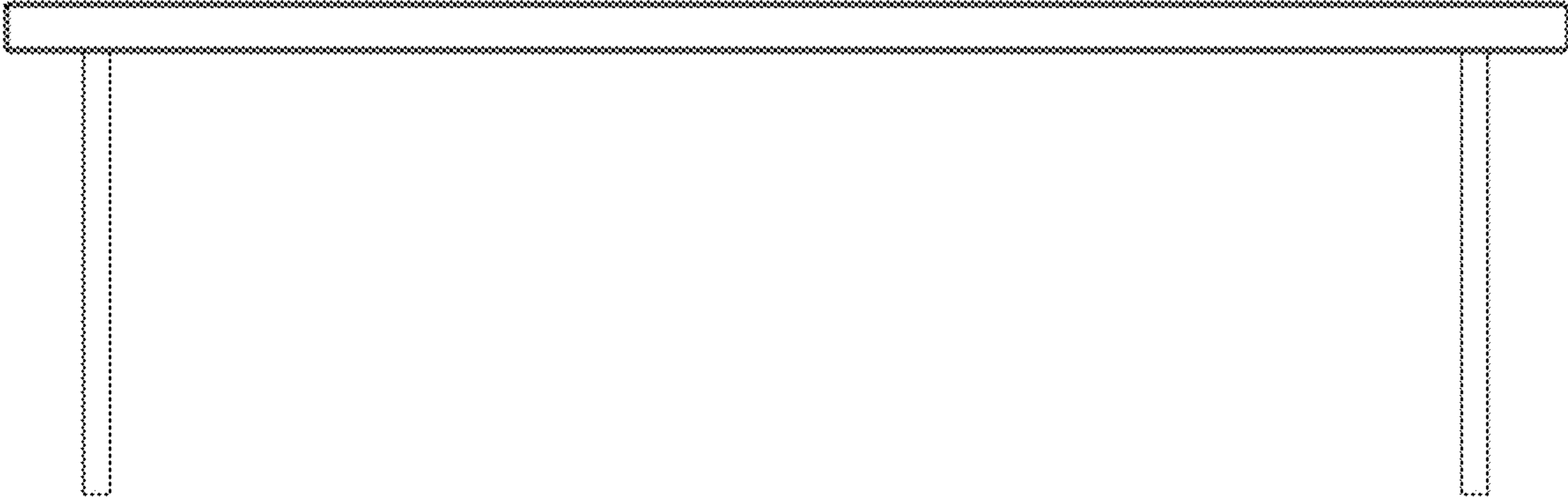
1 Claim, 7 Drawing Sheets



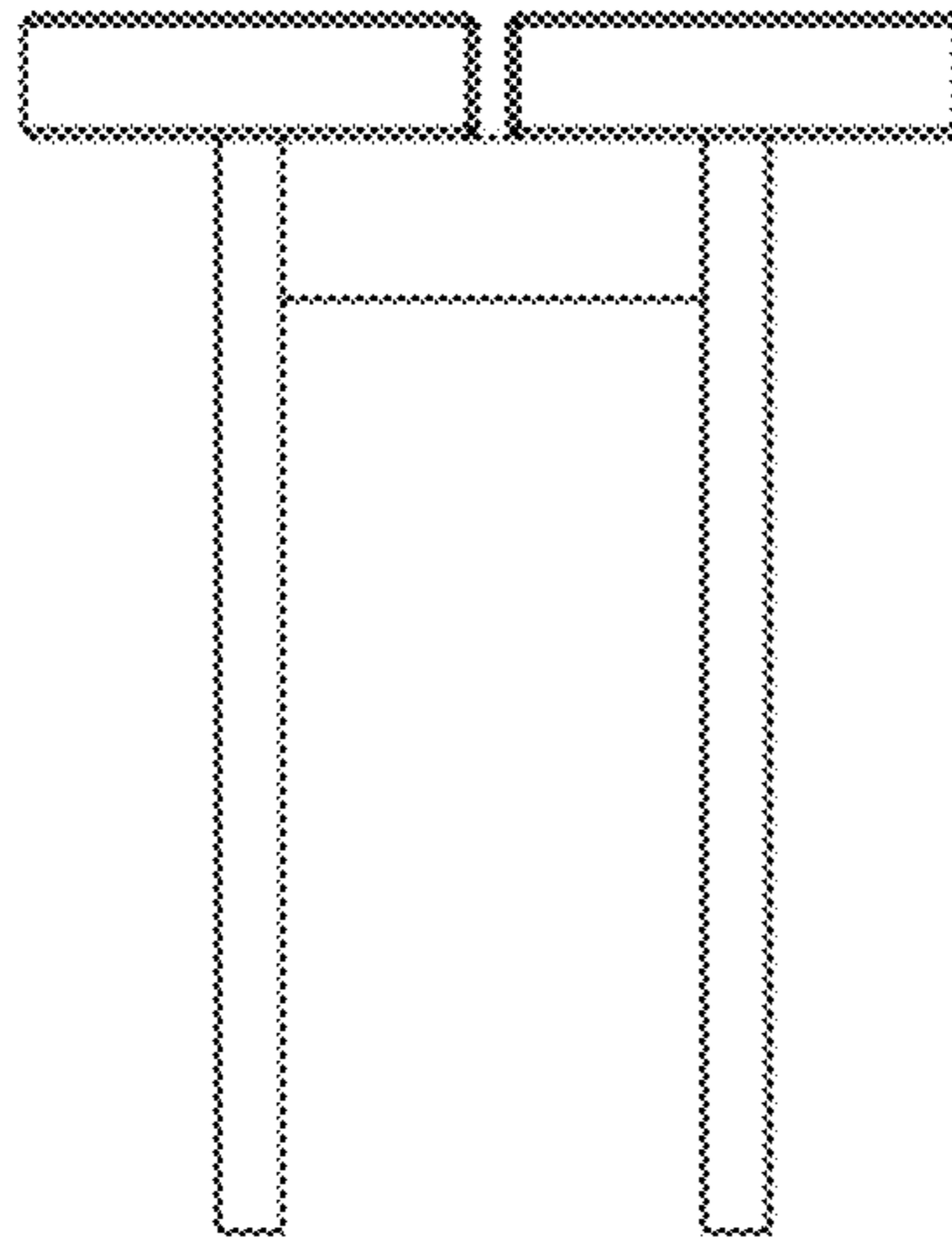
1.1



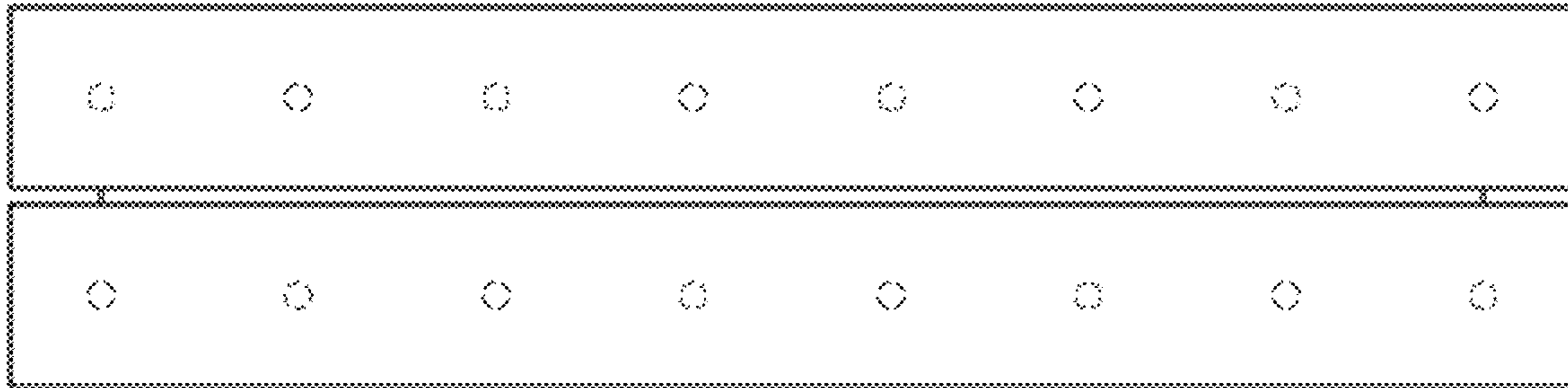
1.2



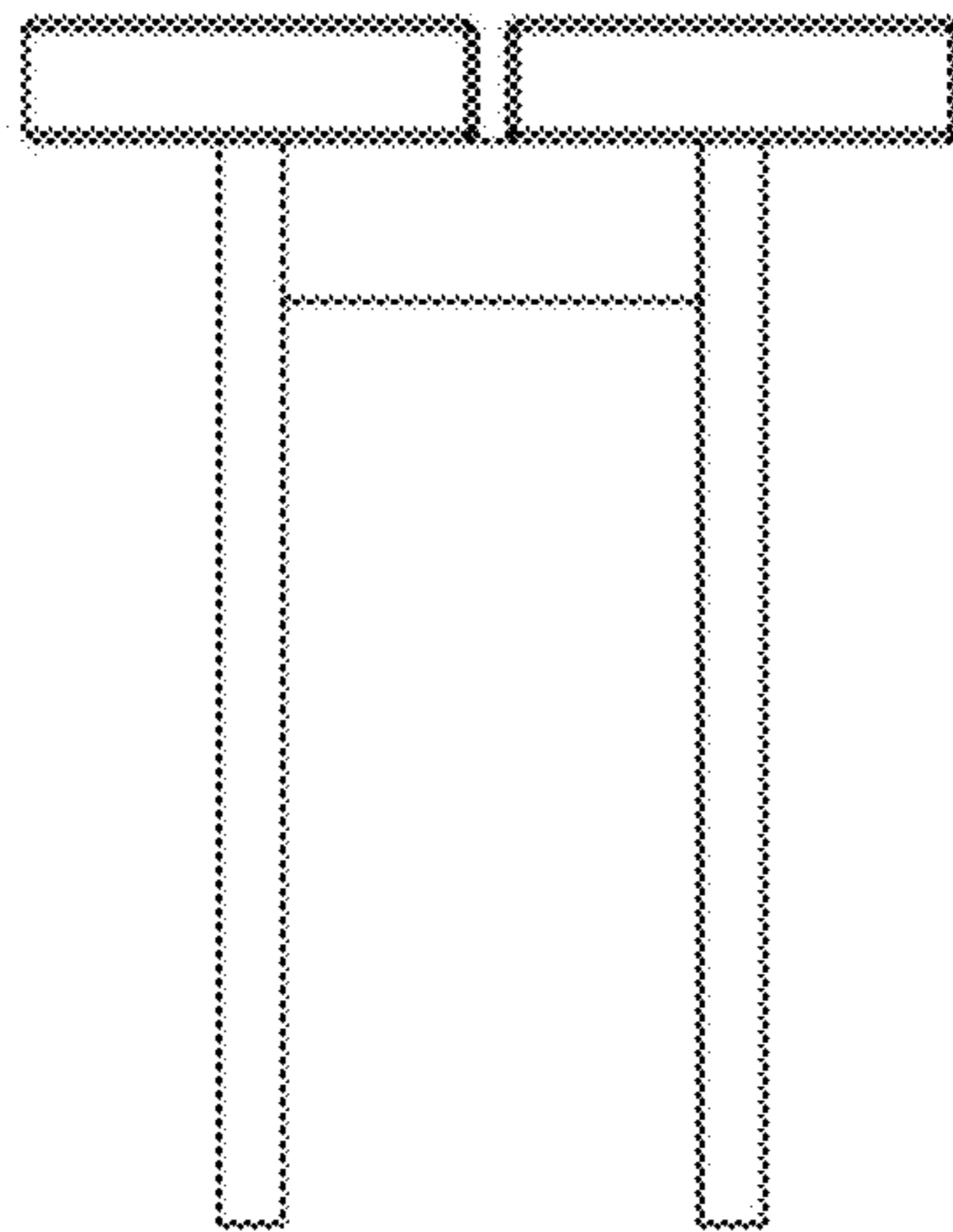
1.3



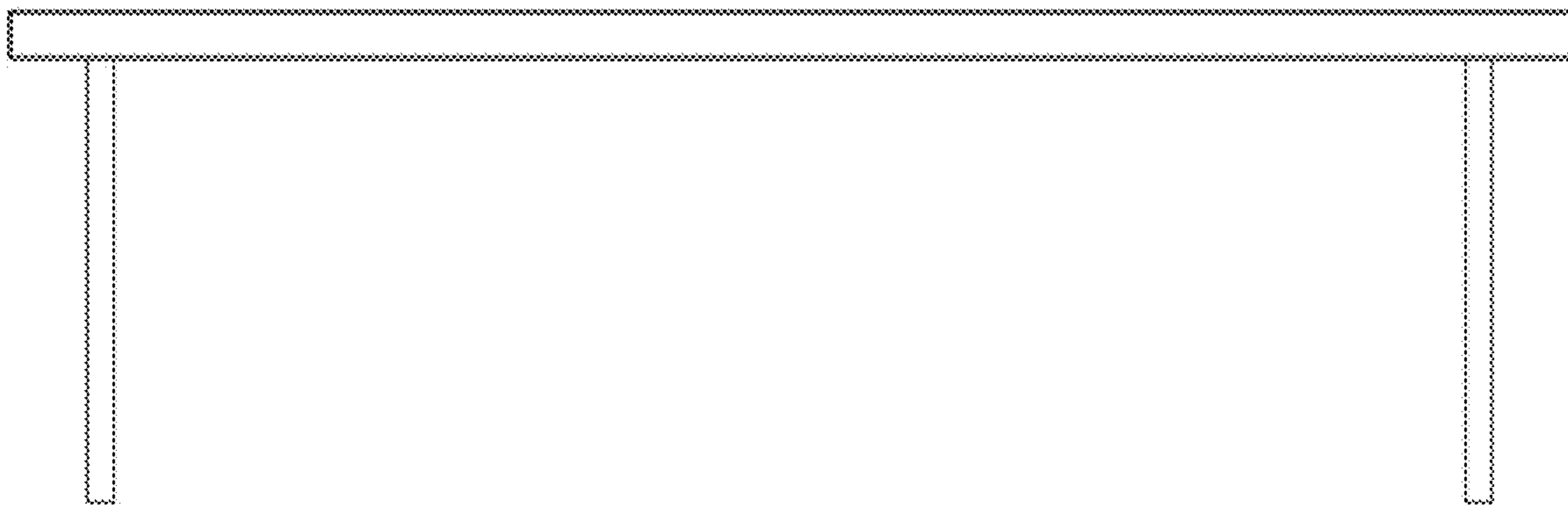
1.4



1.5



1.6



1.7

