



US00D839613S

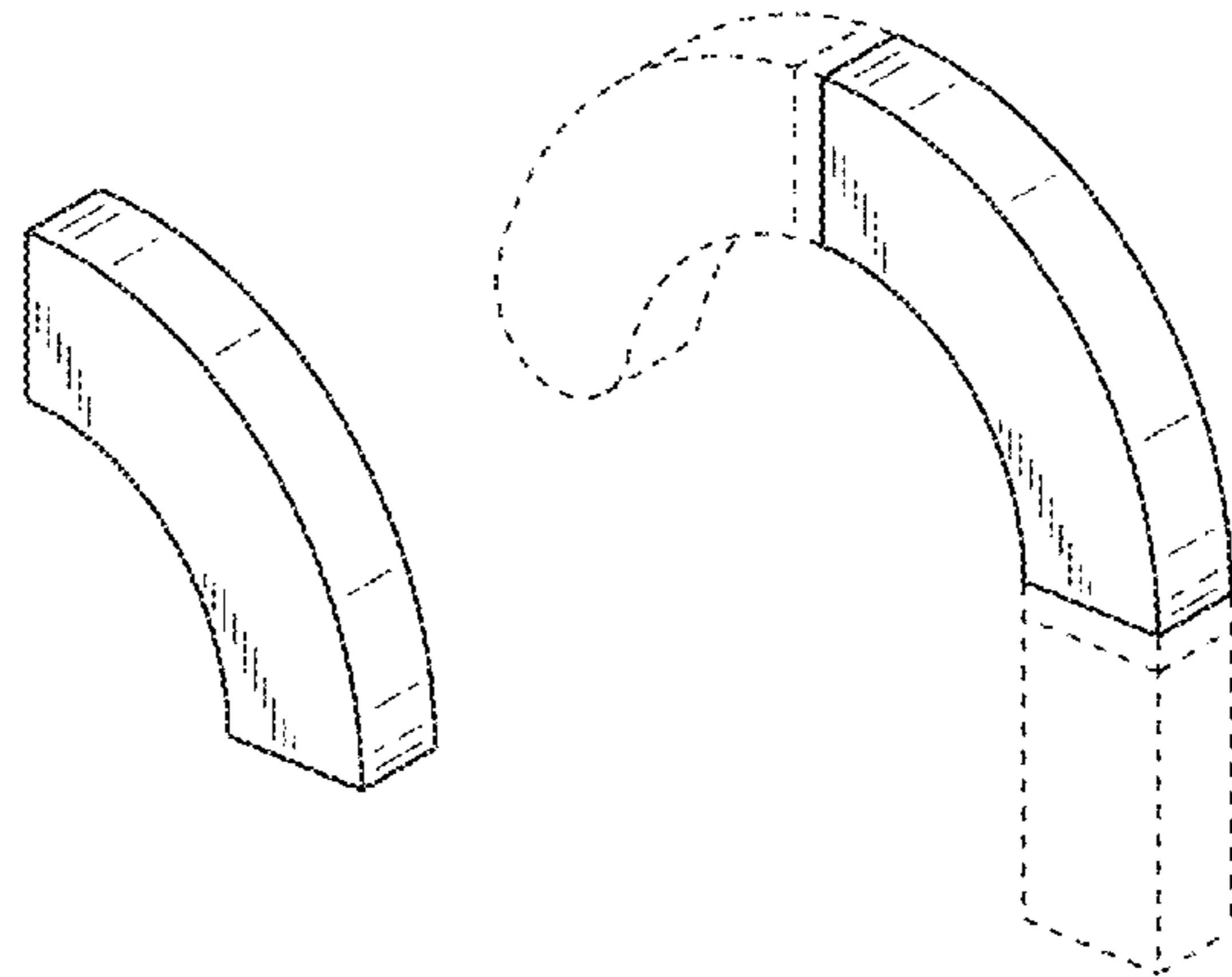
(12) **United States Design Patent** (10) **Patent No.:** **US D839,613 S**
Martell et al. (45) **Date of Patent:** **** Feb. 5, 2019**

(54) **INFORMATION MARKER FOR GARMENT HANGER** 5,238,159 A 8/1993 Zuckerman
5,305,933 A 4/1994 Zuckerman
5,377,884 A 1/1995 Zuckerman
5,383,583 A 1/1995 Zuckerman
(71) Applicant: **TARGET BRANDS, INC.,** 5,388,024 A * 2/1995 Galvagni H01G 2/065
Minneapolis, MN (US) 29/25.42
5,400,932 A 3/1995 Hollis
(72) Inventors: **Timothy James Martell,** Brooklyn 5,407,109 A 4/1995 Zuckerman
Park, MN (US); **Jeremy A. Clark,** 5,441,182 A 8/1995 Sullivan
Minneapolis, MN (US) 5,449,099 A 9/1995 Blanchard
5,469,995 A * 11/1995 Bredeweg A47G 25/1435
223/85
(73) Assignee: **TARGET BRANDS, INC.,** 5,485,943 A 1/1996 Zuckerman
Minneapolis, MN (US) 5,503,310 A 4/1996 Zuckerman et al.
5,586,697 A 12/1996 Johansson
(**) Term: **15 Years** 5,590,822 A 1/1997 Zuckerman
5,603,437 A 2/1997 Zuckerman
(21) Appl. No.: **29/553,482** 5,611,469 A 3/1997 Eiley et al.
5,613,629 A 3/1997 Zuckerman
5,641,100 A 6/1997 Mitchell et al.
(22) Filed: **Feb. 2, 2016** 5,642,840 A 7/1997 Abdi
5,775,553 A 7/1998 Marshall et al.
(51) **LOC (11) Cl.** **06-08** 5,778,575 A 7/1998 Deupree et al.
(52) **U.S. Cl.** 5,785,216 A 7/1998 Gouldson et al.
USPC **D6/328** 5,794,363 A 8/1998 Marshall et al.
(58) **Field of Classification Search** 5,819,995 A 10/1998 Zuckerman
USPC D6/315-328; D21/497 5,944,237 A 8/1999 Gouldson
CPC A47G 25/32; A47G 25/743; A47G 25/36; D414,044 S 9/1999 Choi et al.
A47G 25/1407; A47G 25/06; A47G 5,992,714 A * 11/1999 Morgan A47G 25/485
25/38; A47G 25/1414; A47G 25/0607; 223/96
A47G 25/186; A47F 5/0006; A47F 7/19;
A47F 7/24; Y10T 24/51; Y10T 24/3449
See application file for complete search history.

(56) **References Cited**

U.S. PATENT DOCUMENTS

3,949,914 A	4/1976	Ostroll	
D245,748 S *	9/1977	Ostroll	D32/61
D264,912 S	6/1982	Bliss et al.	
4,450,639 A	5/1984	Duester	
4,517,709 A	5/1985	Arentsen et al.	
D282,982 S	3/1986	Kodet	
D303,325 S *	9/1989	Marshall	D6/319
4,886,195 A	12/1989	Blanchard	
4,892,237 A	1/1990	Duester et al.	
4,997,114 A	3/1991	Petrou	
5,069,373 A *	12/1991	Kolton	A47G 25/48 223/85
5,135,141 A	8/1992	Harmer et al.	
		6,019,260 A	2/2000 Gouldson
		6,041,983 A	3/2000 Sullivan et al.
		6,041,984 A	3/2000 Gouldson
		6,145,713 A	11/2000 Zuckerman
		6,189,746 B1	2/2001 Gouldson
		6,209,241 B1	4/2001 Louw
		6,378,744 B2	4/2002 Olk et al.
		6,382,478 B2	5/2002 Gouldson et al.
		6,422,437 B2	7/2002 Gouldson et al.
		6,499,633 B1	12/2002 Pogmore
		6,564,980 B2	5/2003 Gouldson et al.
		6,622,897 B2	9/2003 Bokmiller et al.
		6,644,520 B2	11/2003 Lam
		6,705,496 B2	3/2004 Marshall et al.
		6,726,067 B2	4/2004 Louw
		6,865,832 B1	3/2005 Goldman
		D506,078 S *	6/2005 Leung D6/328
		D506,620 S *	6/2005 Leung D6/328
		D507,120 S *	7/2005 Leung D6/328
		6,915,931 B2	7/2005 Gouldson et al.
		6,932,251 B2	8/2005 Kolton et al.
		D509,073 S *	9/2005 Leung D6/328
		6,948,269 B2	9/2005 Wang



6,978,917	B2	12/2005	Giustini et al.	
D523,741	S *	6/2006	Pluchino	D6/328
D524,150	S *	7/2006	Stein	D6/328
D527,194	S *	8/2006	Yau	D6/328
D533,362	S *	12/2006	Giampavolo	D6/328
7,178,705	B1	2/2007	Sutton	
7,201,297	B1	4/2007	Baziuk	
D547,557	S	7/2007	Wu	
7,240,813	B1	7/2007	Goldman	
7,278,558	B1	10/2007	Sutton et al.	
7,278,559	B1	10/2007	Sutton et al.	
D554,378	S *	11/2007	Niederer	D6/328
7,303,101	B2	12/2007	Goldman	
7,318,540	B1	1/2008	Sutton et al.	
7,380,359	B2	6/2008	Mainetti	
7,464,842	B2	12/2008	Gouldson	
7,516,875	B2	4/2009	Gouldson	
D605,417	S *	12/2009	Warren	D6/328
D605,418	S	12/2009	Niccol	
D607,219	S *	1/2010	Goldman	D6/328
7,641,083	B2	1/2010	Goldman et al.	
7,708,174	B1	5/2010	Ho	
7,717,308	B2	5/2010	Goldman	
D627,171	S *	11/2010	Niccol	D6/328
D627,980	S *	11/2010	Chan	D6/328
7,841,495	B2	11/2010	Gouldson	
D632,097	S	2/2011	Chan	
7,905,376	B2	3/2011	Gouldson	
7,922,047	B2	4/2011	Gouldson	
8,113,392	B2	2/2012	Gouldson	
8,113,394	B2	2/2012	Ho	
8,141,756	B2	3/2012	Mainetti	
8,225,538	B2	7/2012	Warren et al.	
8,281,965	B2	10/2012	Chan	
8,286,841	B2	10/2012	Louw	
D673,782	S	1/2013	Presser	
D673,783	S *	1/2013	Presser	D6/328
D680,759	S	4/2013	Jones	
8,418,894	B2	4/2013	Gouldson	
D811,755	S *	3/2018	Taylor	D6/323
D816,351	S *	5/2018	Clark	D6/318
D826,583	S *	8/2018	Ho	D6/328
D828,696	S *	9/2018	Ho	D6/328
2001/0011663	A1	8/2001	Olk et al.	
2002/0184799	A1	12/2002	Chou	
2003/0173381	A1	9/2003	Louw	
2003/0178451	A1	9/2003	Giustini et al.	
2003/0209577	A1	11/2003	Gouldson et al.	
2003/0222107	A1	12/2003	Stein et al.	
2004/0188475	A1	9/2004	Gouldson	
2004/0206787	A1	10/2004	Kolton et al.	
2004/0211796	A1	10/2004	Misumi	
2006/0011673	A1	1/2006	Gouldson	
2006/0049222	A1	3/2006	Pluchino et al.	
2006/0208014	A1	9/2006	Gouldson et al.	
2006/0208015	A1	9/2006	Gouldson et al.	
2006/0213938	A1	9/2006	Gouldson	
2007/0000957	A1	1/2007	Stein et al.	
2007/0062984	A1	3/2007	Louw	
2007/0084889	A1	4/2007	Fleming	
2007/0090134	A1	4/2007	Wu	
2007/0145084	A1	6/2007	Goldman	
2007/0151997	A1	7/2007	Chen	
2007/0158373	A1	7/2007	Yau	
2007/0158374	A1	7/2007	Chan	
2007/0158375	A1	7/2007	Yau	
2007/0175932	A1	8/2007	Wu	
2007/0187439	A1	8/2007	Louw	
2007/0199963	A1	8/2007	Gouldson	
2007/0246490	A1	10/2007	Gouldson	
2007/0257071	A1	11/2007	Gouldson	
2007/0272716	A1	11/2007	Wu	
2007/0278259	A1	12/2007	Wong	
2008/0011791	A1	1/2008	Wu	
2008/0011792	A1	1/2008	Gouldson et al.	
2008/0035685	A1	2/2008	Matkovich et al.	
2009/0120973	A1	5/2009	Ho	
2009/0145937	A1	6/2009	Gouldson	
2009/0159621	A1	6/2009	Gouldson	

2009/0212080	A1	8/2009	Goldman	
2009/0294492	A1	12/2009	Goldman et al.	
2009/0294493	A1	12/2009	Ho et al.	
2009/0294494	A1	12/2009	Ho	
2010/0019002	A1	1/2010	Gouldson	
2010/0270338	A1	10/2010	Mainetti	
2011/0042423	A1	2/2011	Gouldson	
2011/0101044	A1	5/2011	Chan	
2012/0067929	A1	3/2012	Gouldson	
2012/0097716	A1	4/2012	Gouldson	
2012/0181309	A1	7/2012	Mainetti	
2012/0292352	A1	11/2012	Gouldson	

* cited by examiner

Primary Examiner — Lauren R Calve
(74) Attorney, Agent, or Firm — JoAnn M. Seaton;
 Griffiths & Seaton PLLC

(57) **CLAIM**

The ornamental design for an information marker for garment hanger, as shown and described.

DESCRIPTION

FIG. 1 is a right side perspective view of an information marker for garment hanger showing a first embodiment of our new design;
 FIG. 2 is left side perspective view thereof;
 FIG. 3 is a front view thereof, the rear view being a mirror image of the front view;
 FIG. 4 is a right side view thereof;
 FIG. 5 is a left side view thereof;
 FIG. 6 is a top view thereof; and
 FIG. 7 is a bottom view thereof.
 FIG. 8 is a right side perspective view of the information marker for garment hanger of FIG. 1 shown with additional environmental subject matter;
 FIG. 9 is a front view thereof, the rear view being a mirror image of the front view;
 FIG. 10 is a right side view thereof;
 FIG. 11 is a left side view thereof;
 FIG. 12 is a top view thereof; and
 FIG. 13 is a bottom view thereof.
 FIG. 14 is a right side perspective view of the information marker for garment hanger of FIG. 1 shown with additional environmental subject matter;
 FIG. 15 is a front view thereof, the rear view being a mirror image of the front view;
 FIG. 16 is a right side view thereof;
 FIG. 17 is a left side view thereof;
 FIG. 18 is a top view thereof; and
 FIG. 19 is a bottom view thereof.
 FIG. 20 is a right side perspective view of an information marker for garment hanger showing a second embodiment of our new design;
 FIG. 21 is left side perspective view thereof;
 FIG. 22 is a front view thereof, the rear view being a mirror image of the front view;
 FIG. 23 is a right side view thereof;
 FIG. 24 is a left side view thereof;
 FIG. 25 is a top view thereof; and
 FIG. 26 is a bottom view thereof.
 FIG. 27 is a right side perspective view of the information marker for garment hanger of FIG. 20 shown with additional environmental subject matter;
 FIG. 28 is a front view thereof, the rear view being a mirror image of the front view;

FIG. 29 is a right side view thereof;

FIG. 30 is a left side view thereof;

FIG. 31 is a top view thereof; and

FIG. 32 is a bottom view thereof.

FIG. 33 is a right side perspective view of the information marker for garment hanger of FIG. 20 shown with additional environmental subject matter;

FIG. 34 is a front view thereof, the rear view being a mirror image of the front view;

FIG. 35 is a right side view thereof;

FIG. 36 is a left side view thereof;

FIG. 37 is a top view thereof; and,

FIG. 38 is a bottom view thereof.

In the drawings, the broken lines depict unclaimed subject matter only and form no part of the claimed design.

1 Claim, 6 Drawing Sheets

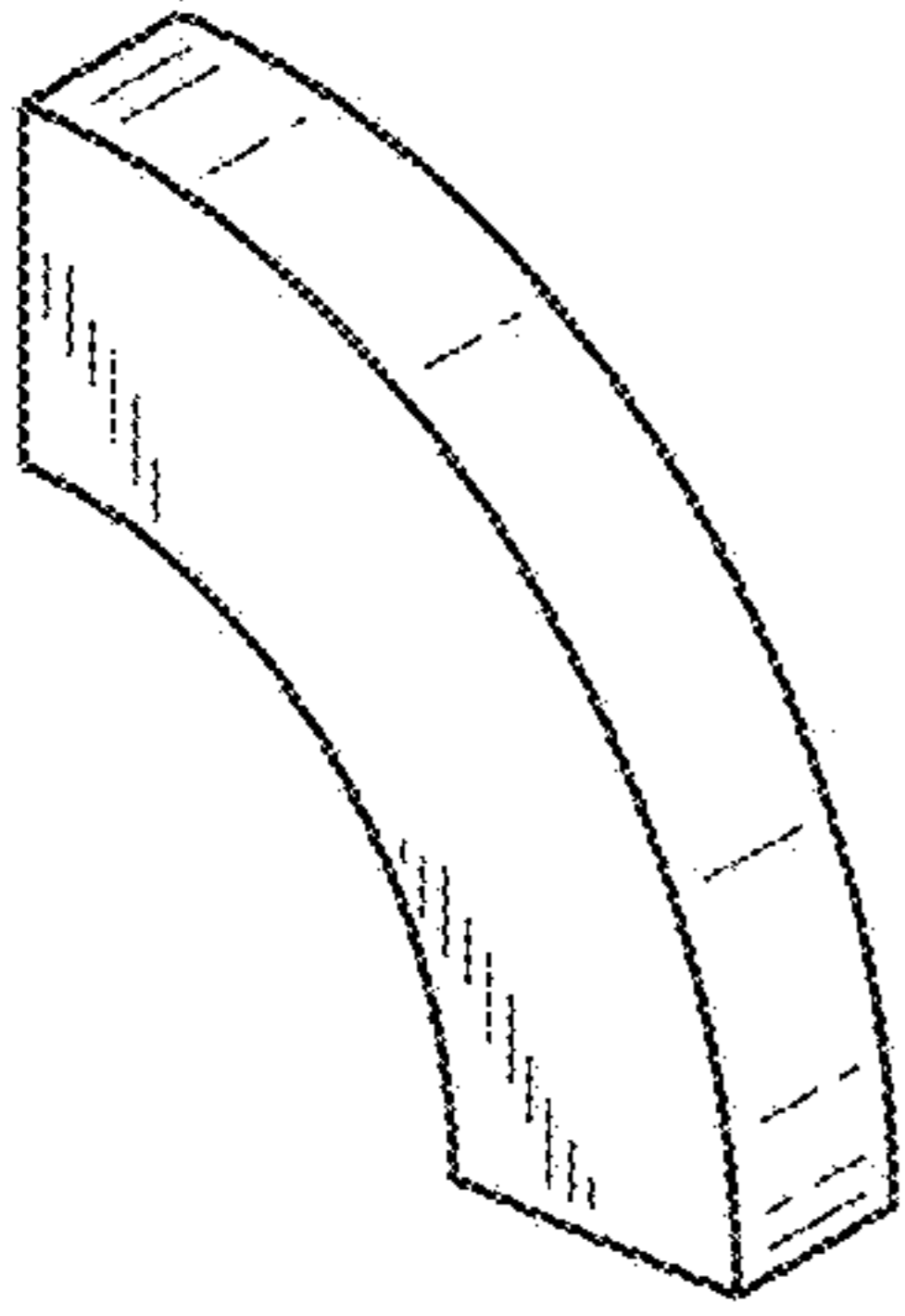


FIG. 1

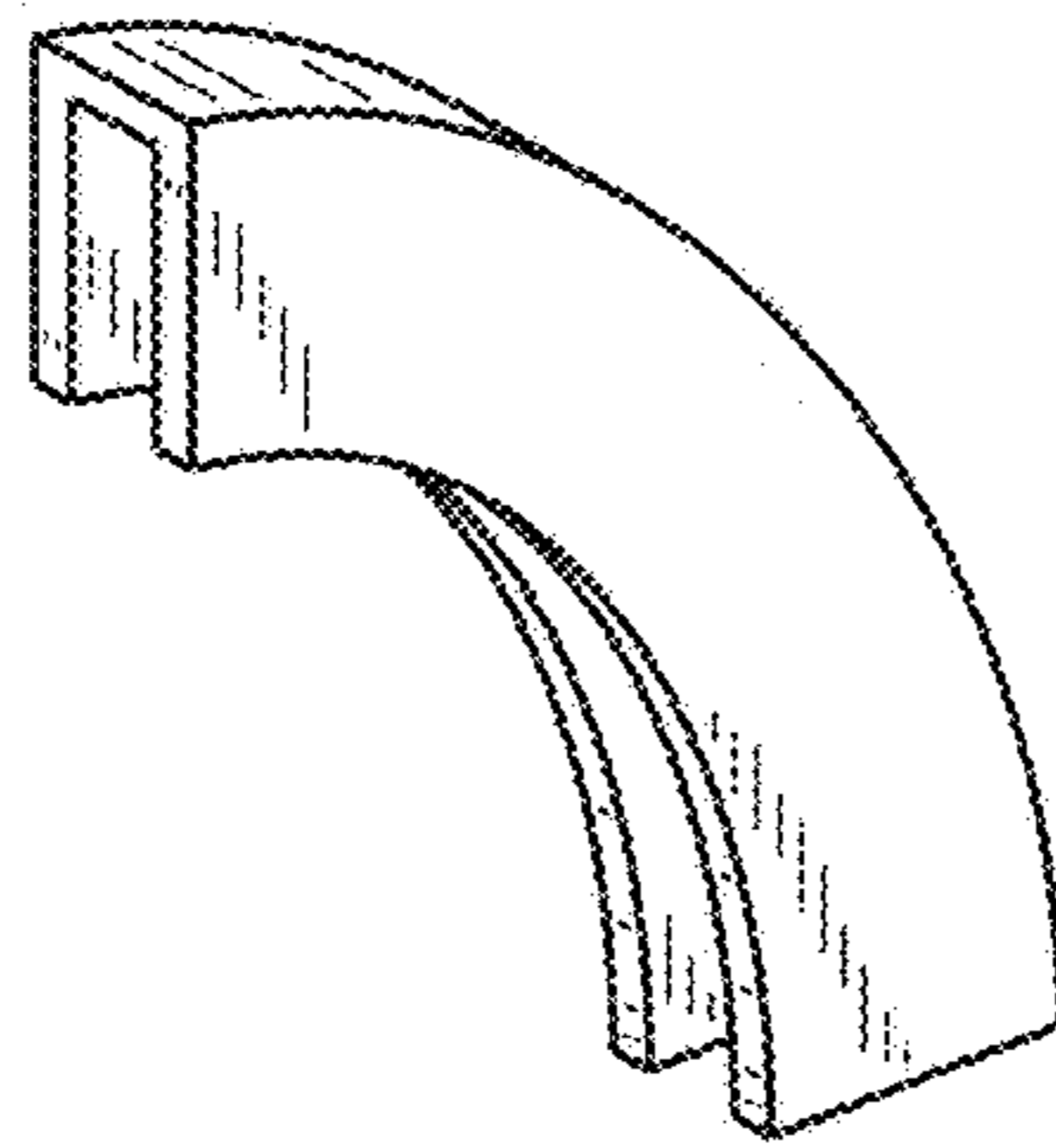


FIG. 2

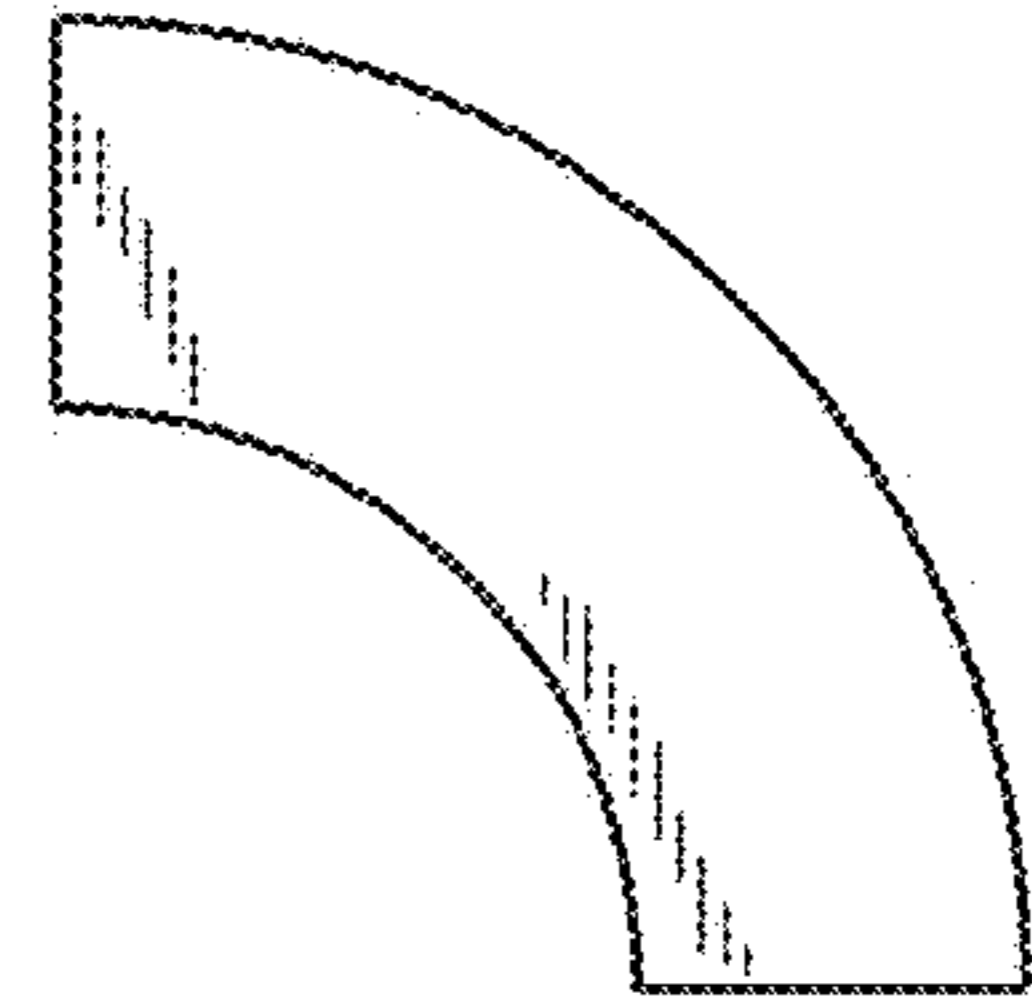


FIG. 3



FIG. 4



FIG. 5



FIG. 6



FIG. 7

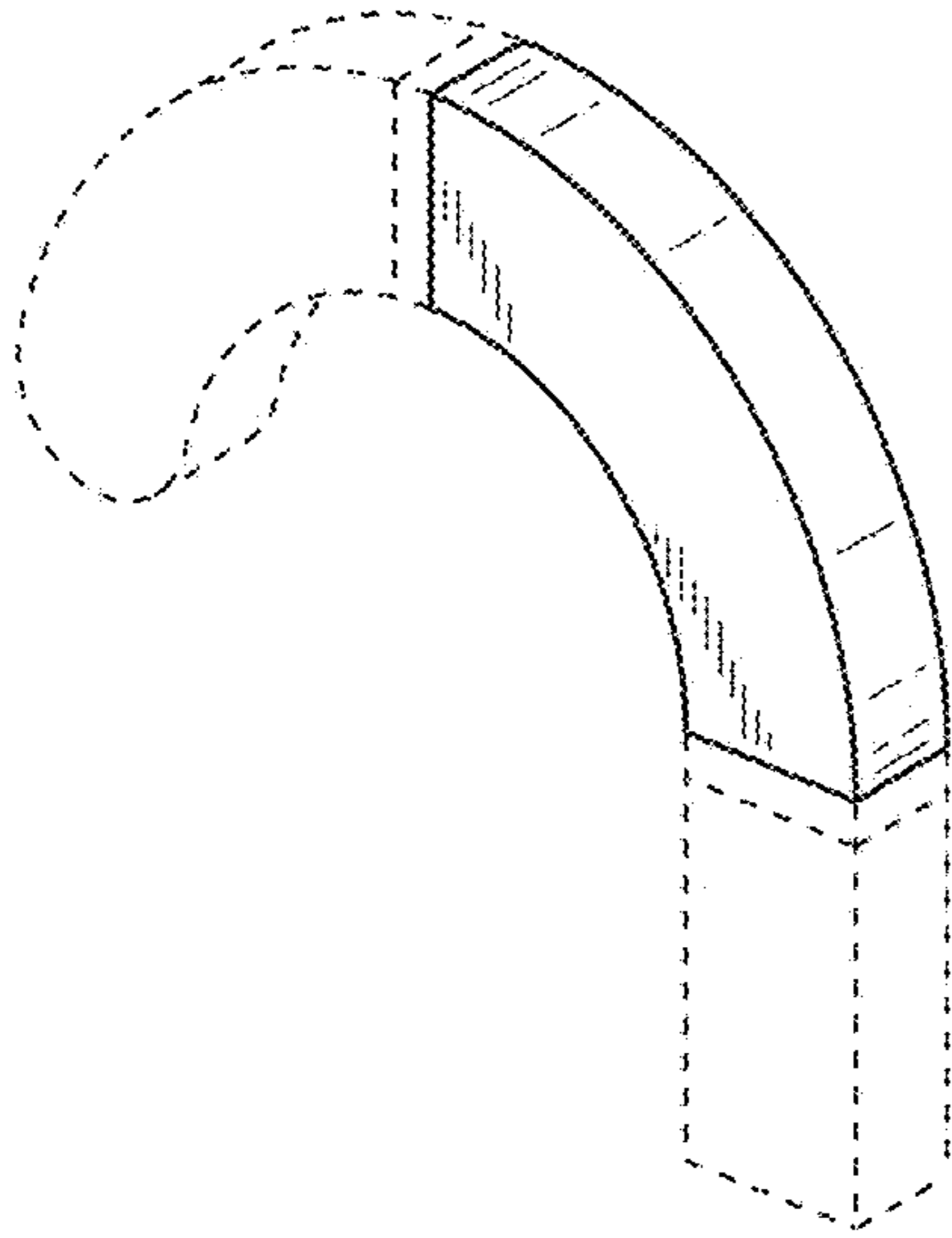


FIG. 8

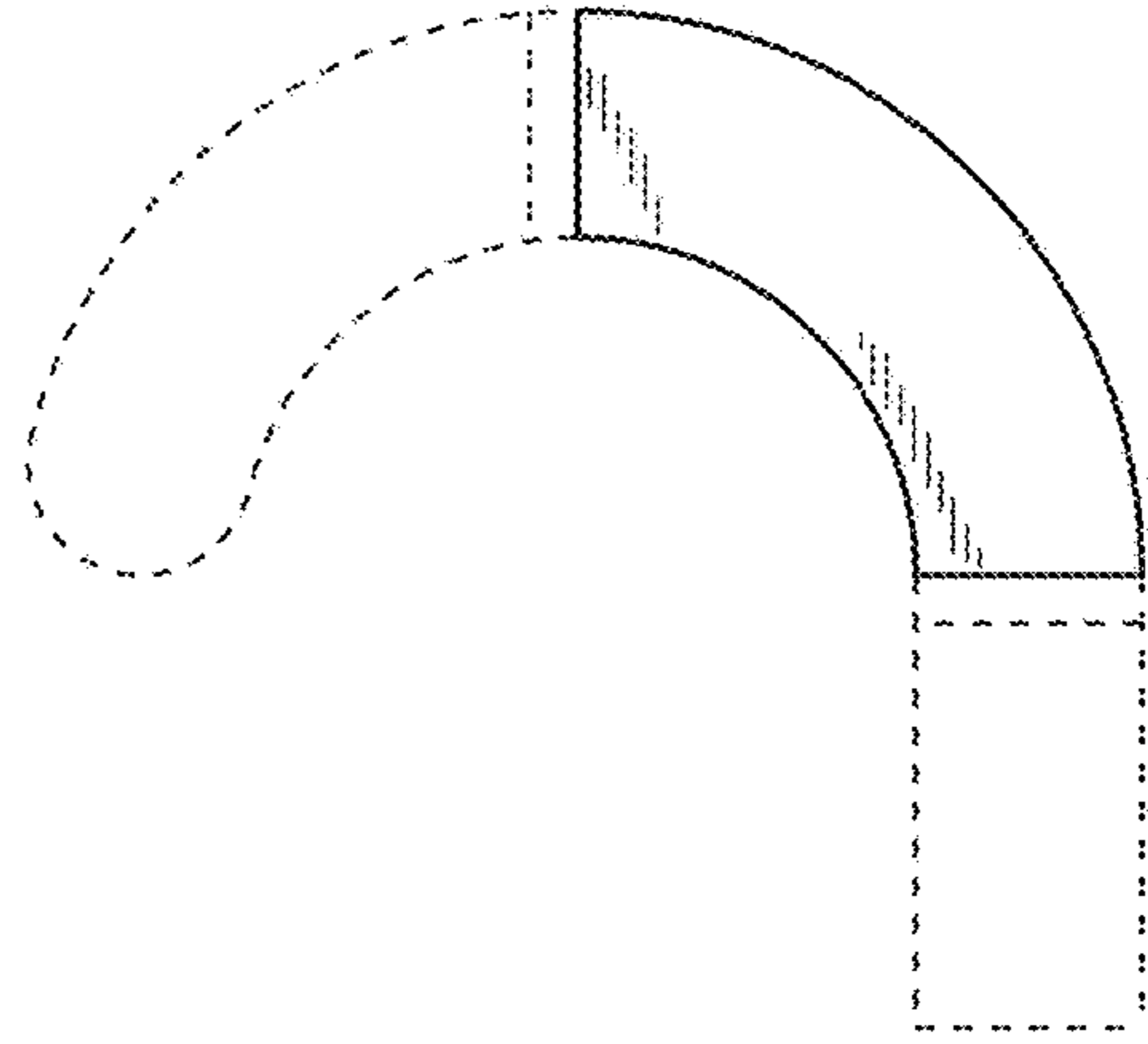


FIG. 9

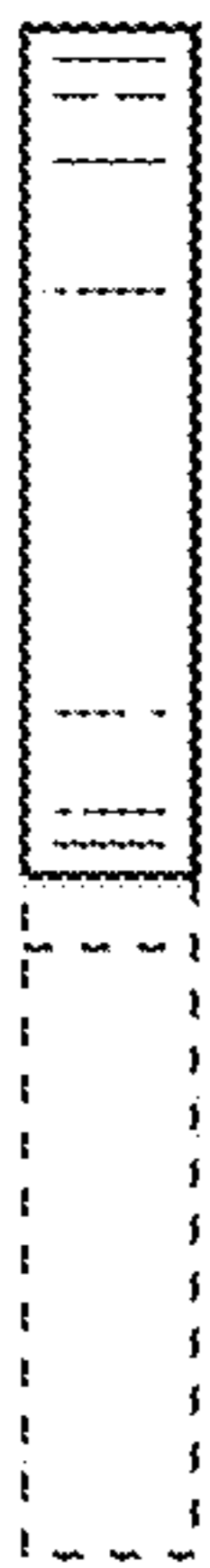


FIG. 10

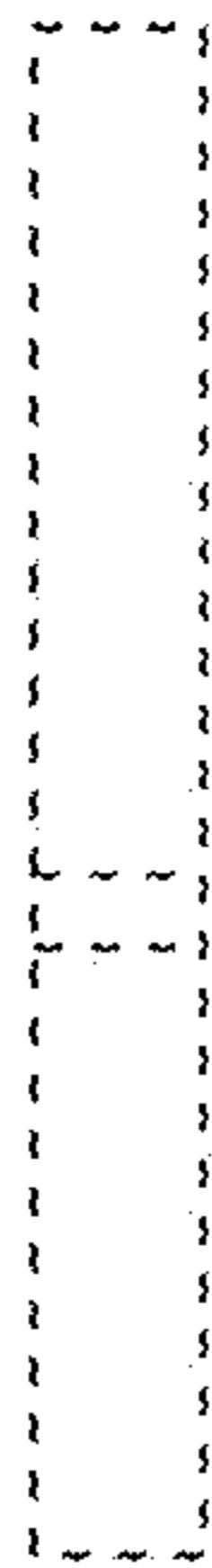


FIG. 11



FIG. 12

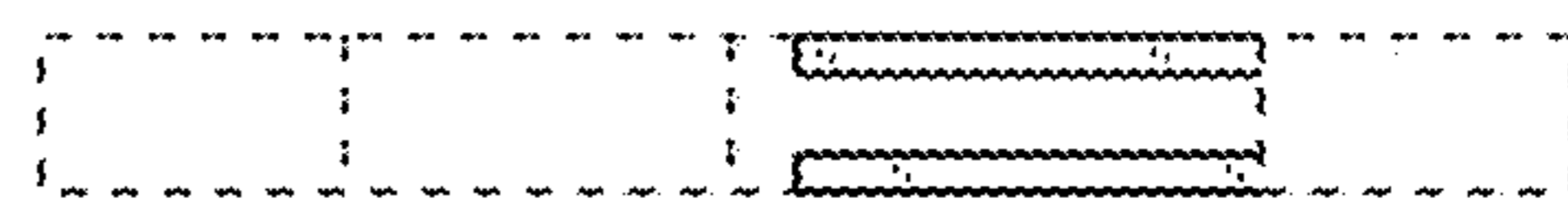


FIG. 13

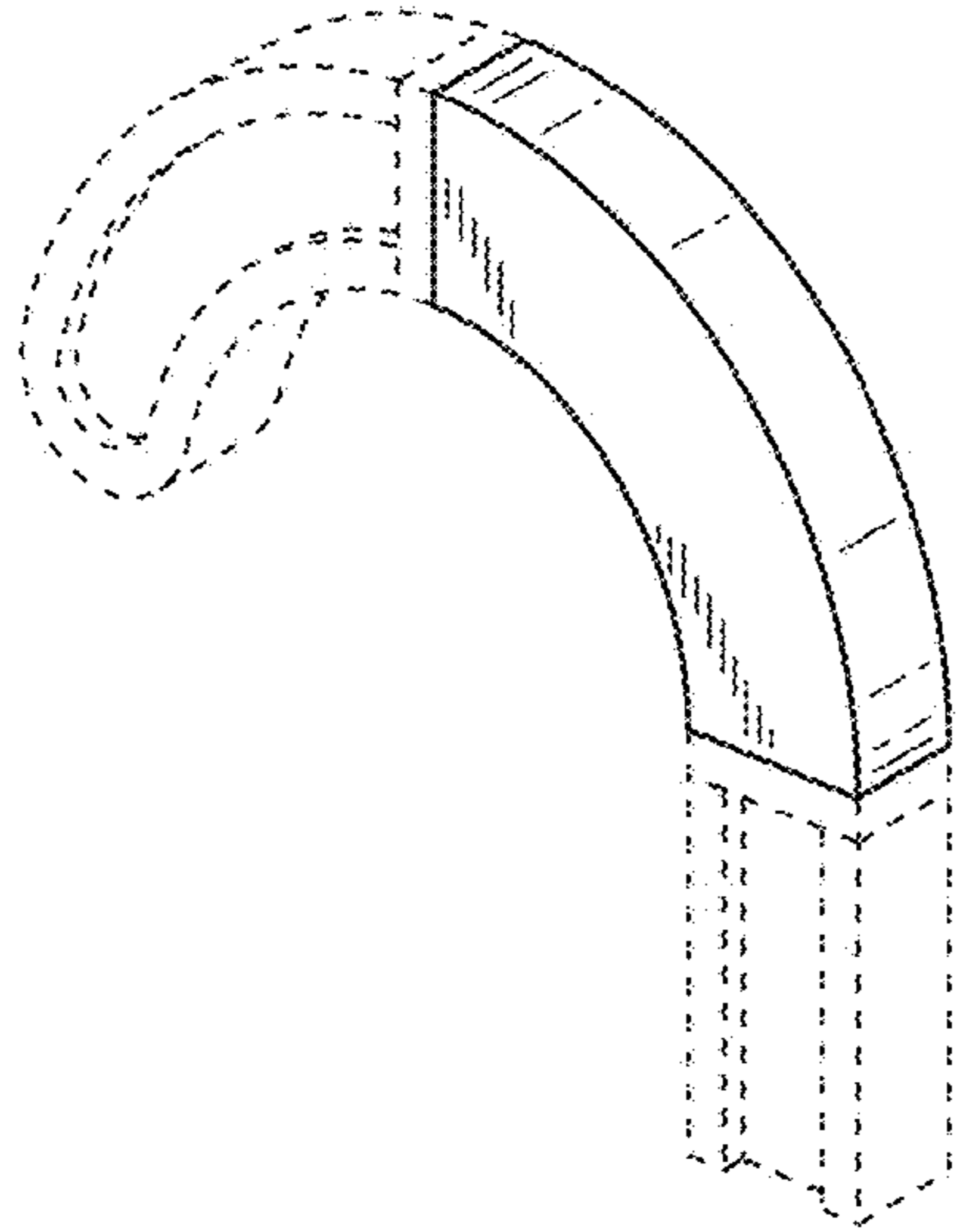


FIG. 14

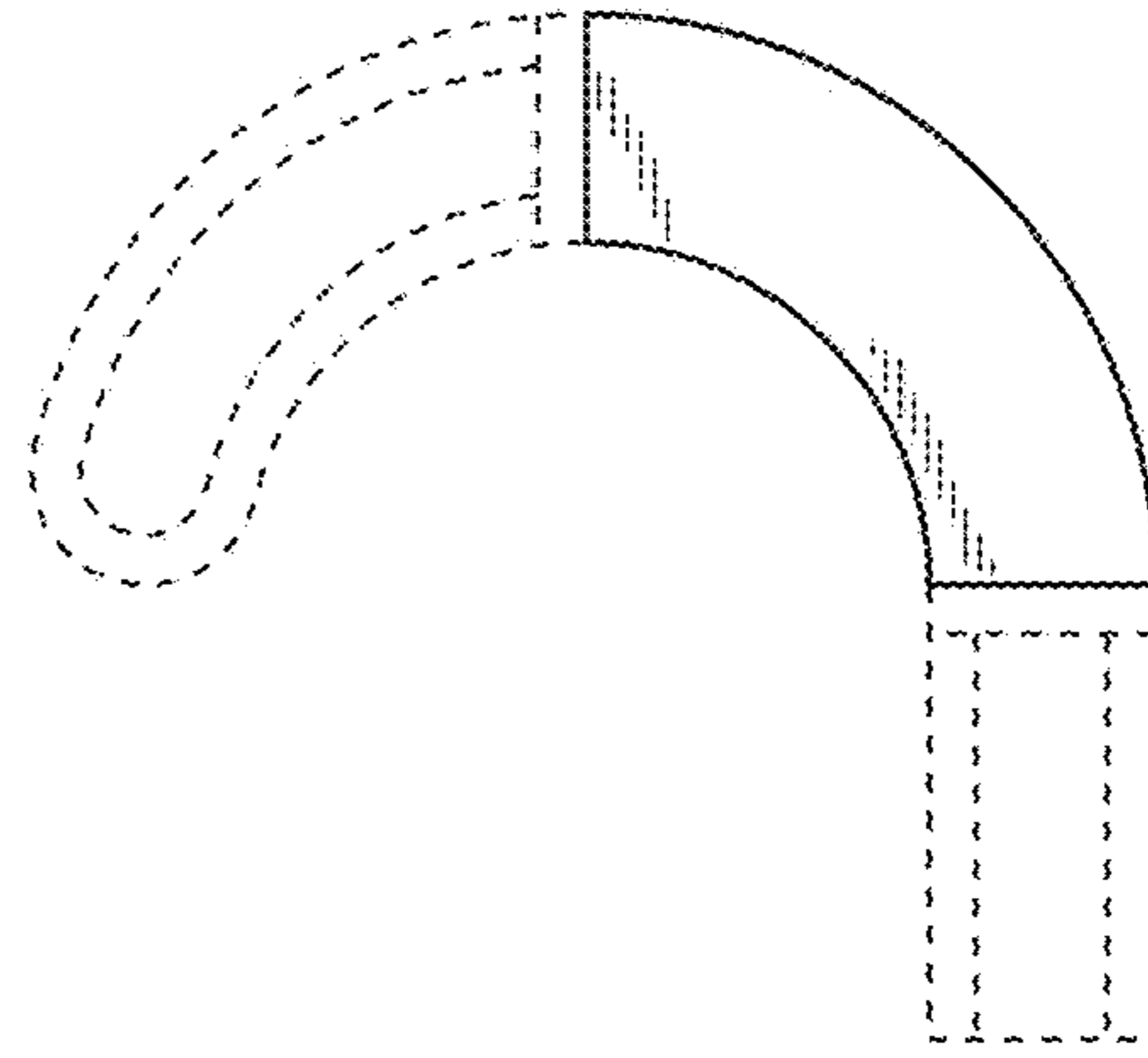


FIG. 15



FIG. 16

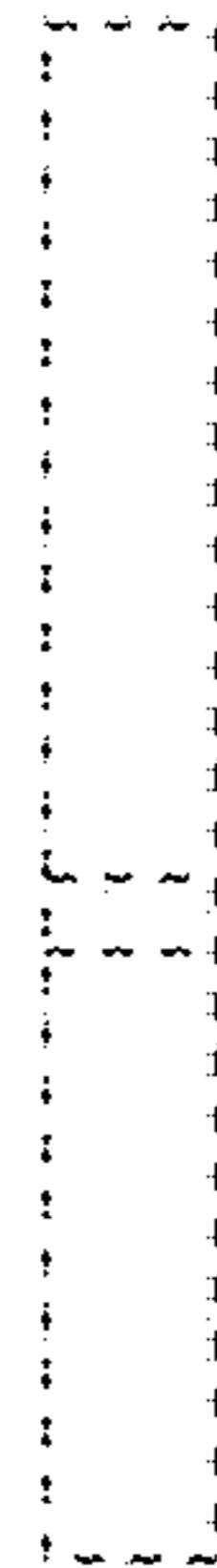


FIG. 17

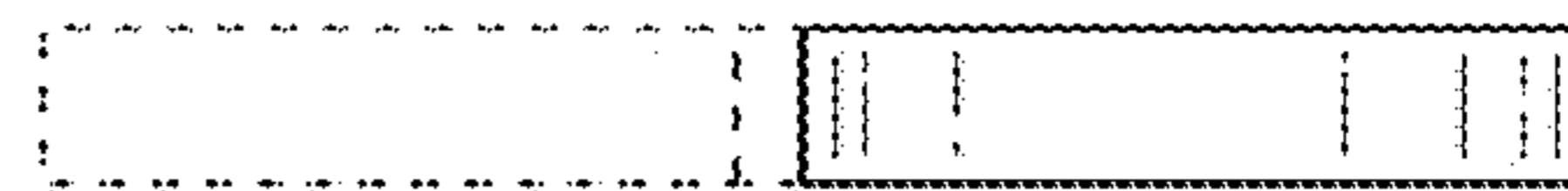


FIG. 18

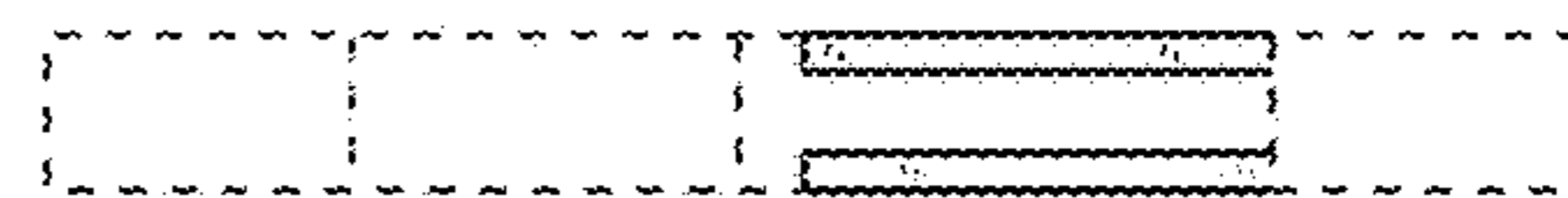


FIG. 19

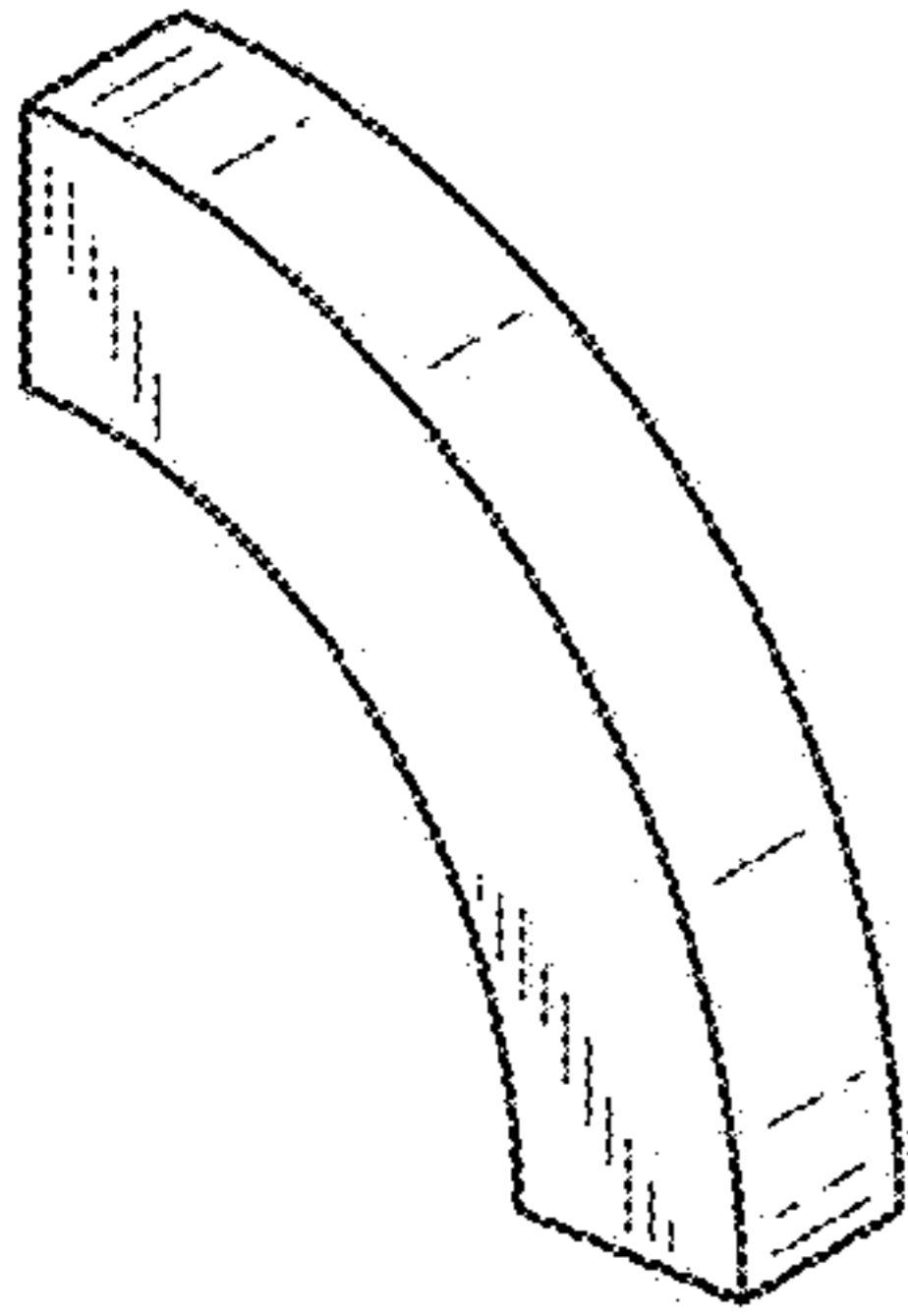


FIG. 20

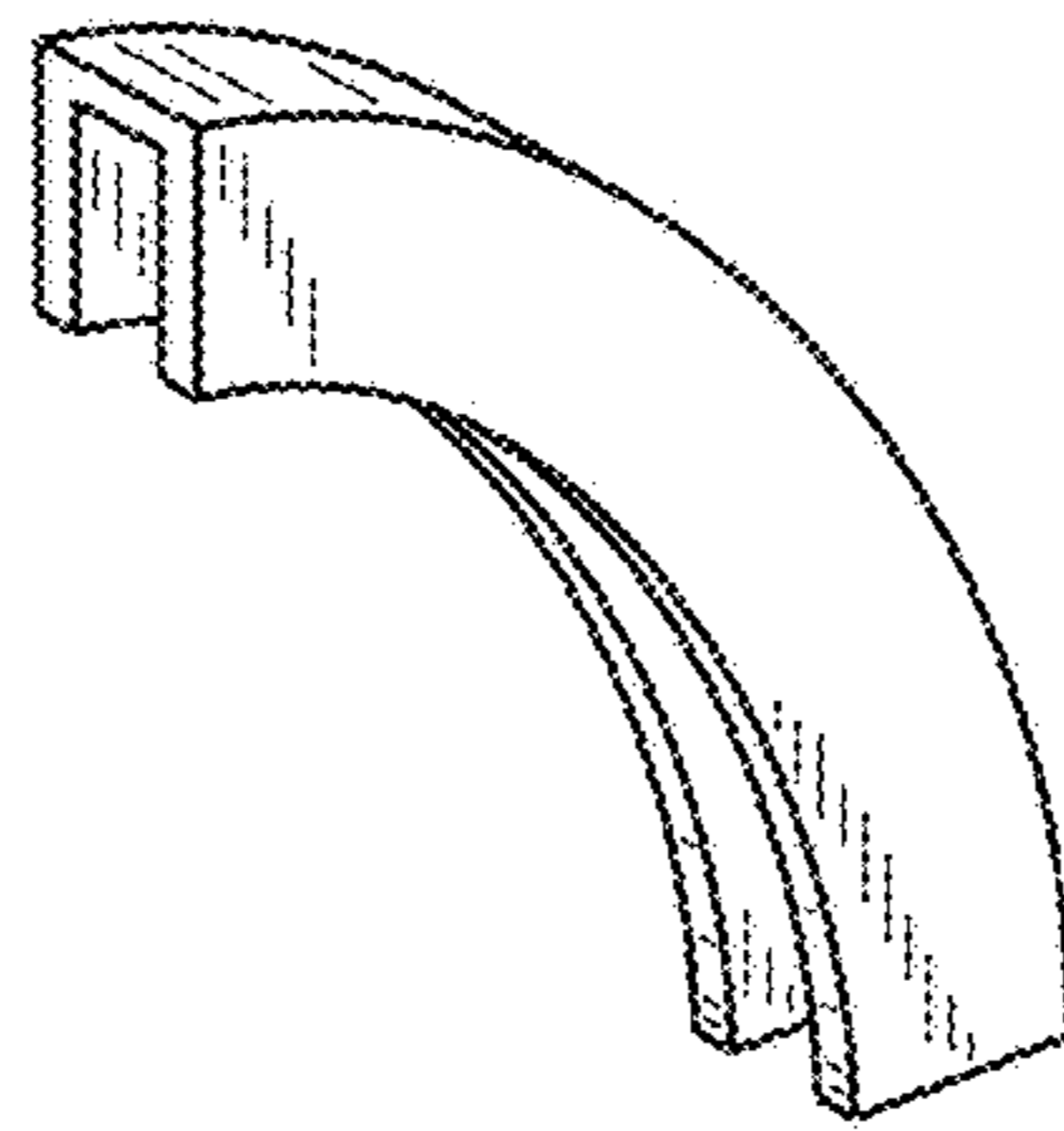


FIG. 21

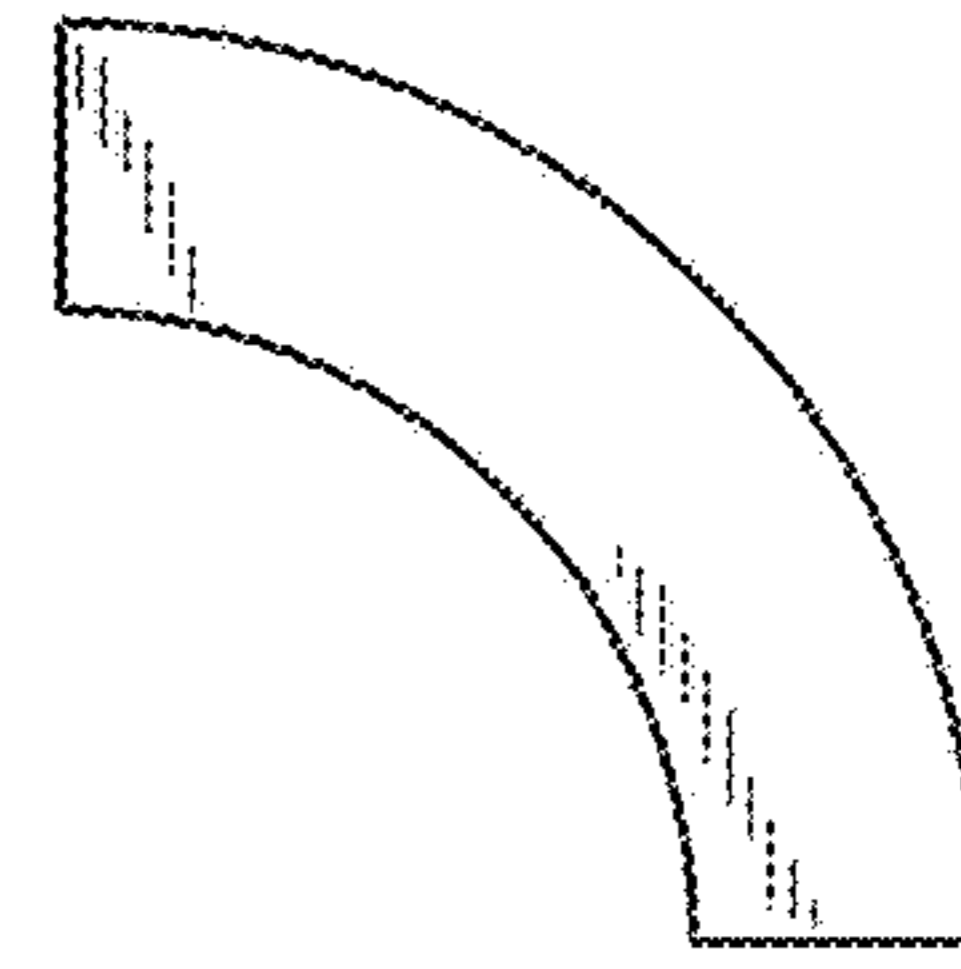


FIG. 22



FIG. 23

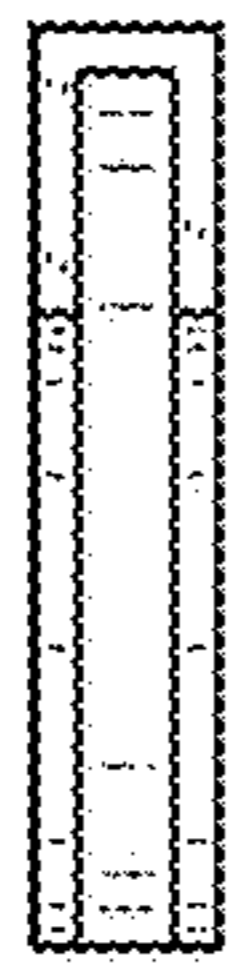


FIG. 24



FIG. 25

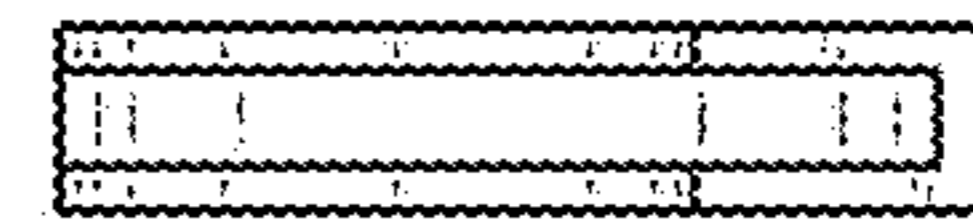


FIG. 26

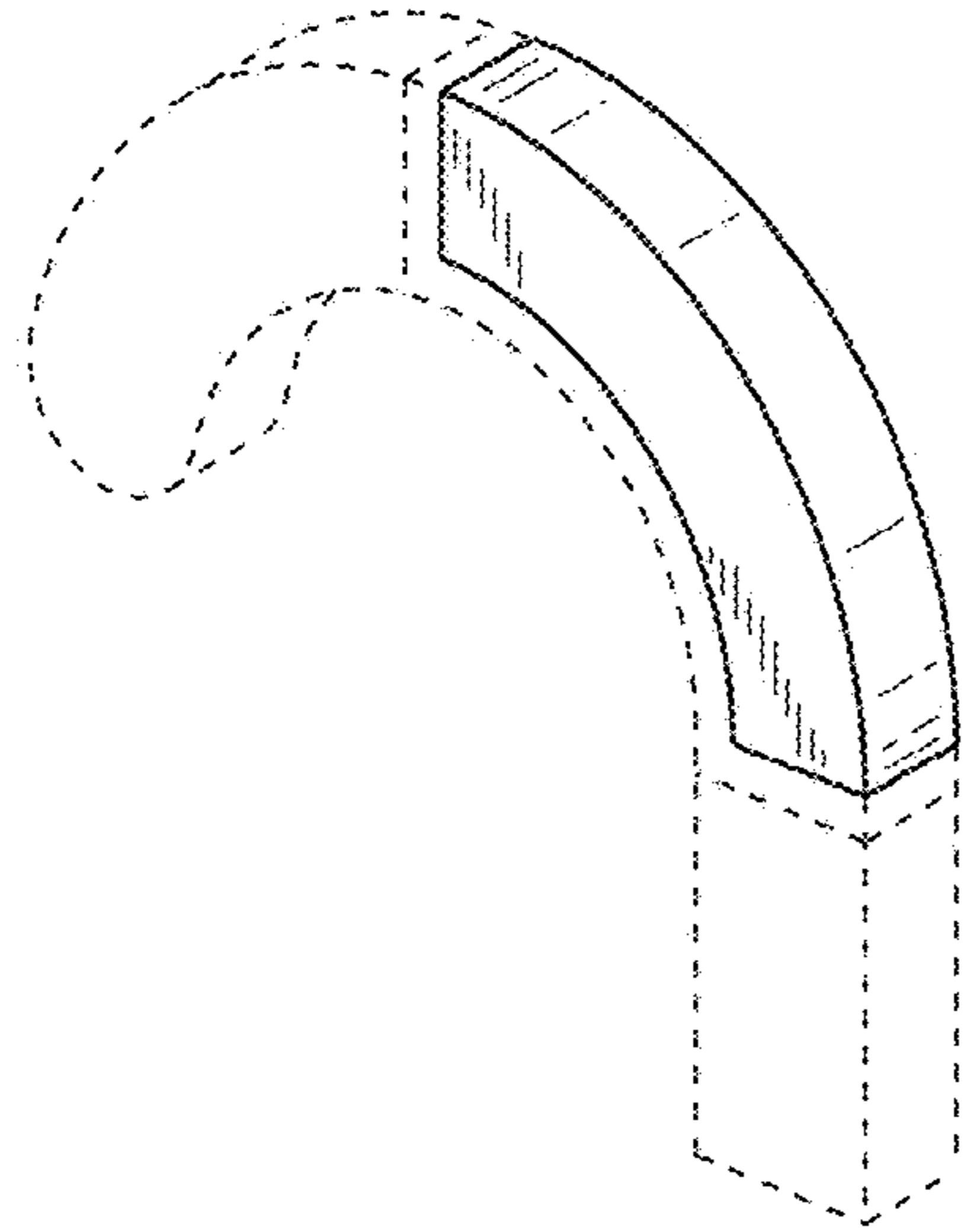


FIG. 27

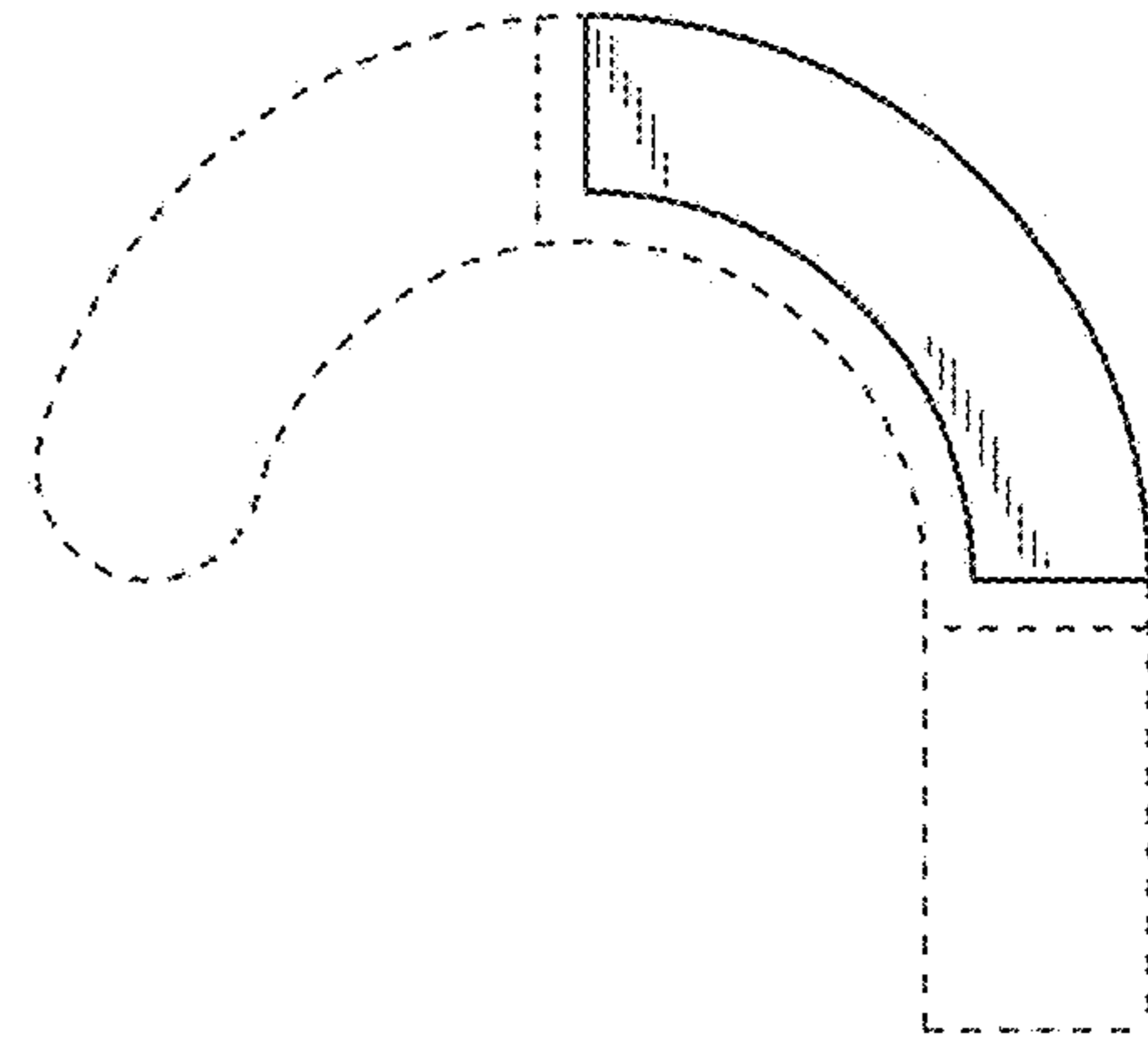


FIG. 28

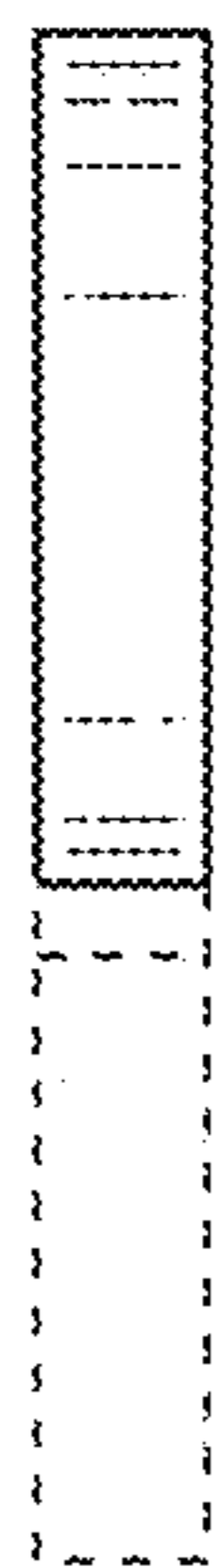


FIG. 29

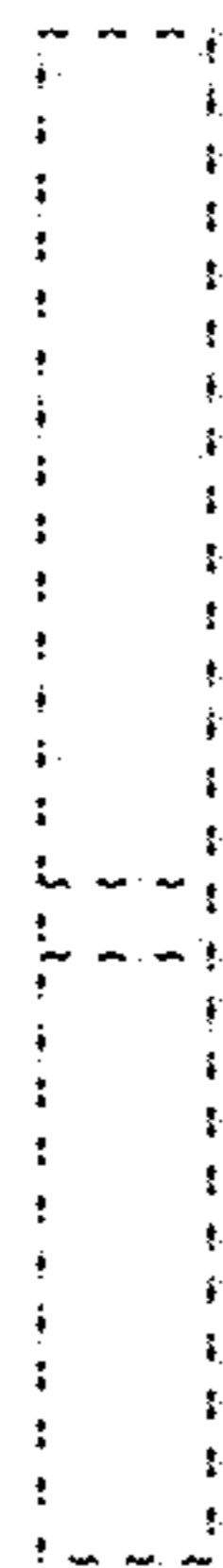


FIG. 30



FIG. 31

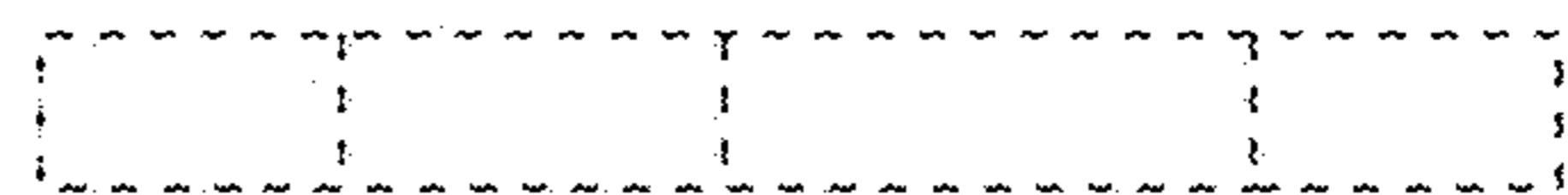


FIG. 32

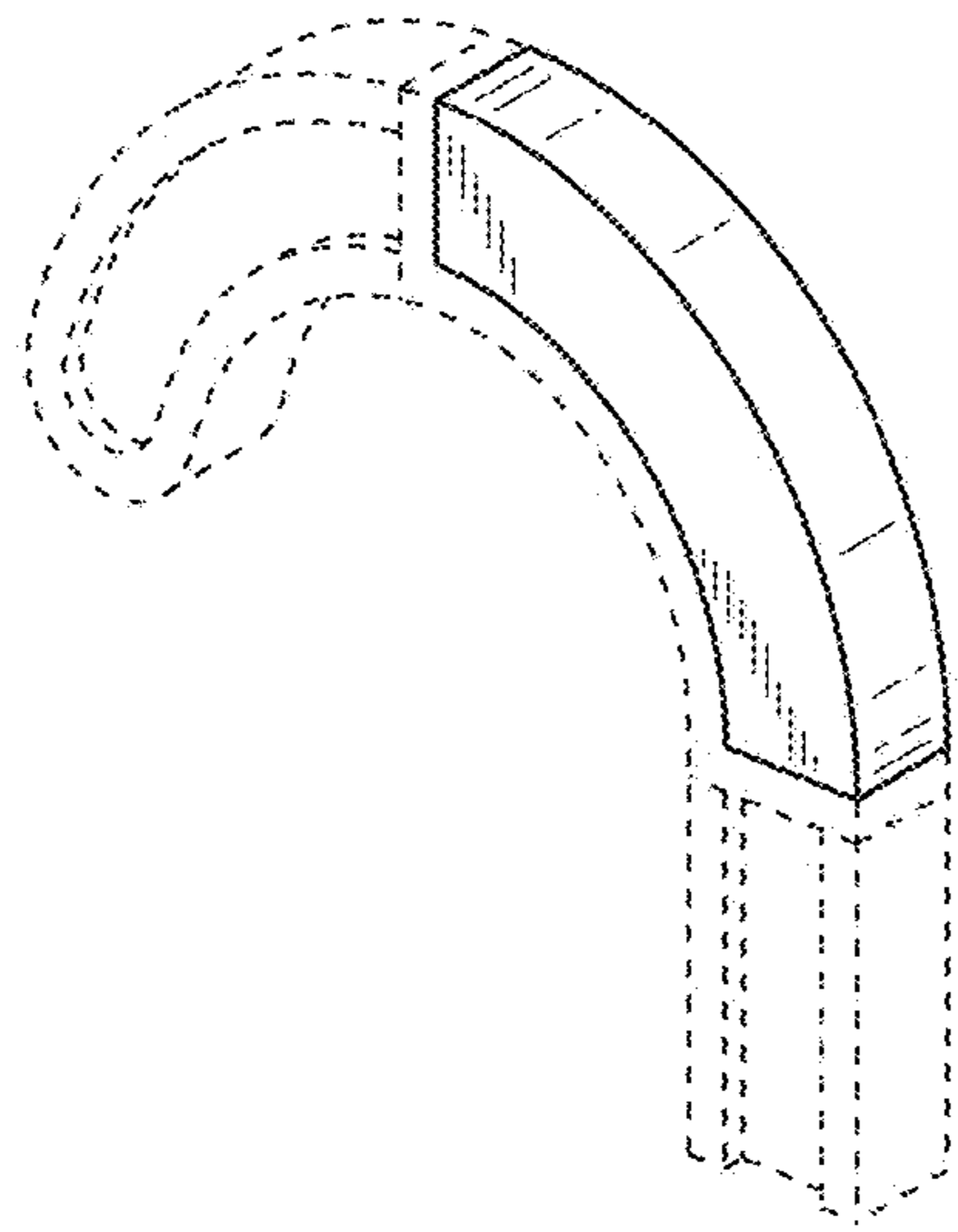


FIG. 33

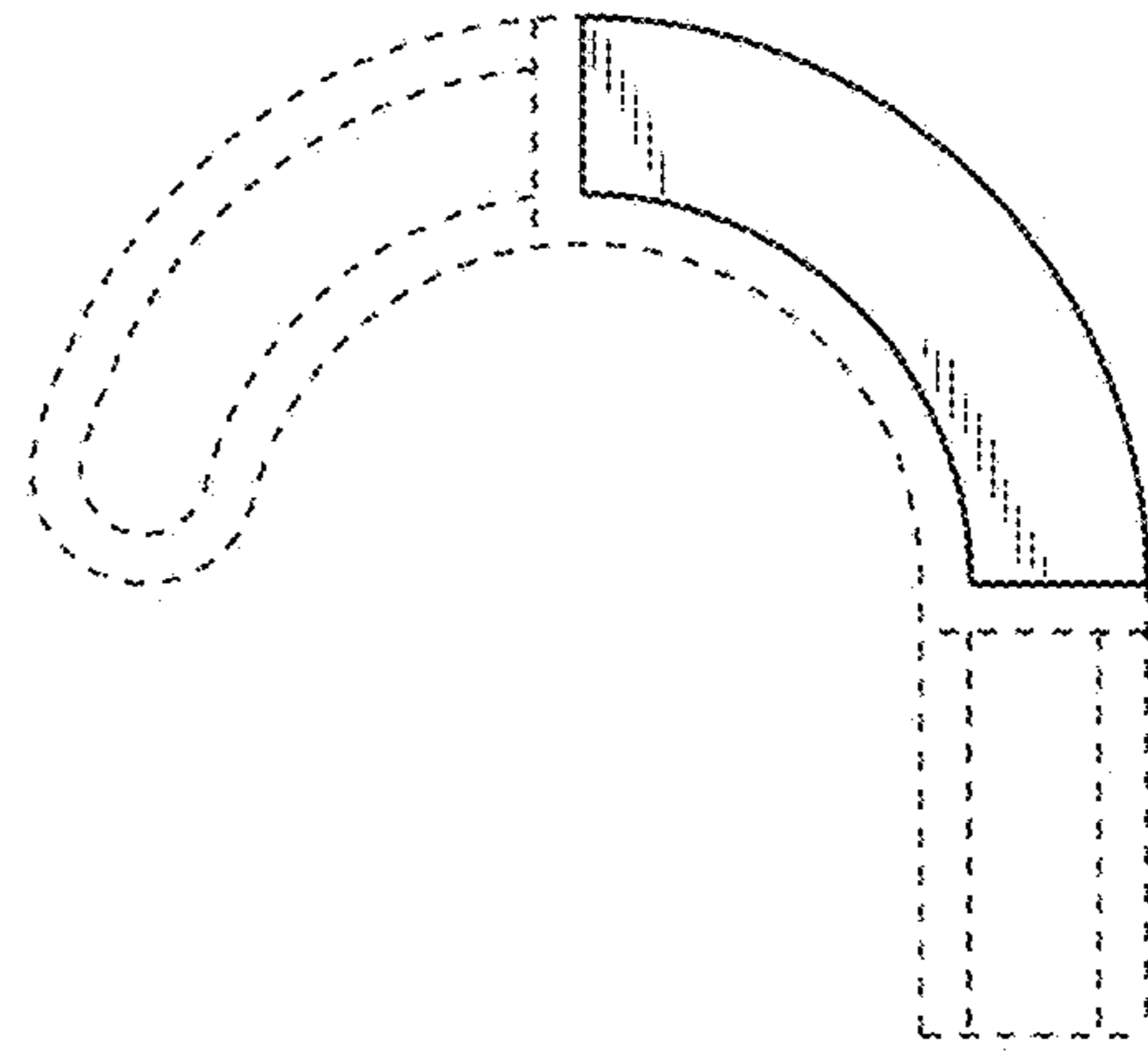


FIG. 34



FIG. 35

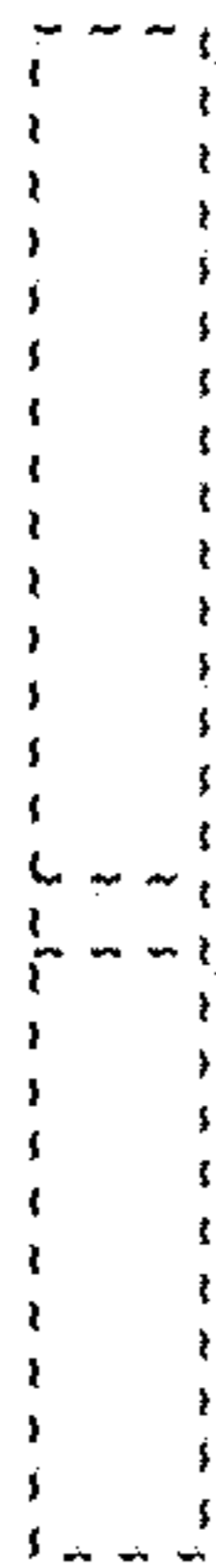


FIG. 36

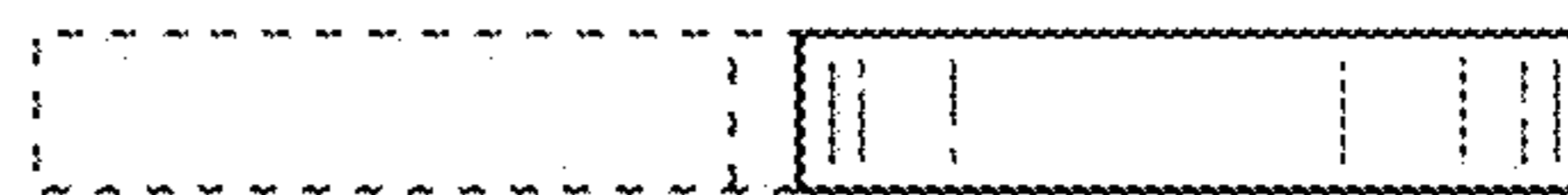


FIG. 37

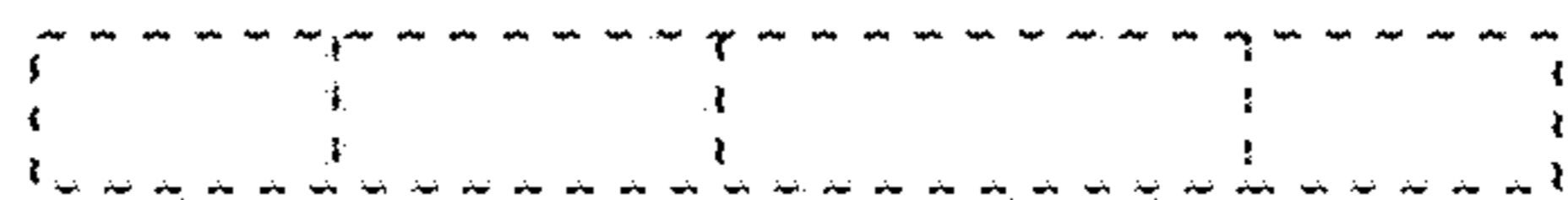


FIG. 38