



US00D839608S

(12) **United States Design Patent**  
**Laenner**

(10) **Patent No.:** **US D839,608 S**

(45) **Date of Patent:** **\*\* Feb. 5, 2019**

(54) **BRUSH**

(71) Applicant: **Vikan A/S**, Skive (DK)

(72) Inventor: **Thomas Laenner**, Skive (DK)

(73) Assignee: **Vikan A/S**, Skive (DK)

(\*\*) Term: **15 Years**

(21) Appl. No.: **29/620,389**

(22) Filed: **May 17, 2017**

**Related U.S. Application Data**

(63) Continuation-in-part of application No. 29/539,145, filed on Sep. 11, 2015, now abandoned.

(30) **Foreign Application Priority Data**

Mar. 11, 2015 (EM) ..... 002650838-0002

(51) **LOC (11) Cl.** ..... **04-01**

(52) **U.S. Cl.**  
USPC ..... **D4/134**

(58) **Field of Classification Search**

USPC ..... D4/100, 101, 102, 114, 121, 127, 128,  
D4/129, 130, 131, 132, 133, 134, 135,  
D4/136, 137, 138, 199; D24/214, 215;  
D28/63; D30/158; D32/40, 41, 42, 50,  
D32/51, 53

CPC .. A46B 3/005; A46B 5/00; A46B 5/02; A46B  
9/005; A46B 9/02; A46B 2200/1006;  
A46B 2200/102

See application file for complete search history.

(56) **References Cited**

**U.S. PATENT DOCUMENTS**

856,168 A \* 6/1907 Lykken ..... A47L 21/00  
15/111  
D251,517 S \* 4/1979 Baudon ..... D4/128

D303,323 S \* 9/1989 Saunders ..... D4/138  
D422,143 S \* 4/2000 Beals ..... D4/104  
D456,607 S \* 5/2002 Carlucci ..... D4/101

(Continued)

*Primary Examiner* — Karen E Eldridge Powers

(74) *Attorney, Agent, or Firm* — Gearhart Law LLC

(57) **CLAIM**

The ornamental design for a brush, as shown.

**DESCRIPTION**

FIG. 1 is a front, top and left side perspective view of a brush.

FIG. 2 is a front, bottom and left side perspective view thereof.

FIG. 3 is a rear, top, and right side perspective view thereof.

FIG. 4 is a front elevation view thereof.

FIG. 5 is a rear elevation view thereof.

FIG. 6 is a left side elevation view thereof.

FIG. 7 is a top plan view thereof, with two inset enlarged detail views;

FIG. 8 is a bottom plan view thereof, with an inset enlarged detail view;

FIG. 9 is a front, top and left side perspective view of an alternative embodiment of a brush.

FIG. 10 is a front, bottom and left side perspective view of the design as shown in FIG. 9.

FIG. 11 is a rear, top and right side perspective view thereof.

FIG. 12 is a front elevation view thereof.

FIG. 13 is a rear elevation perspective view thereof.

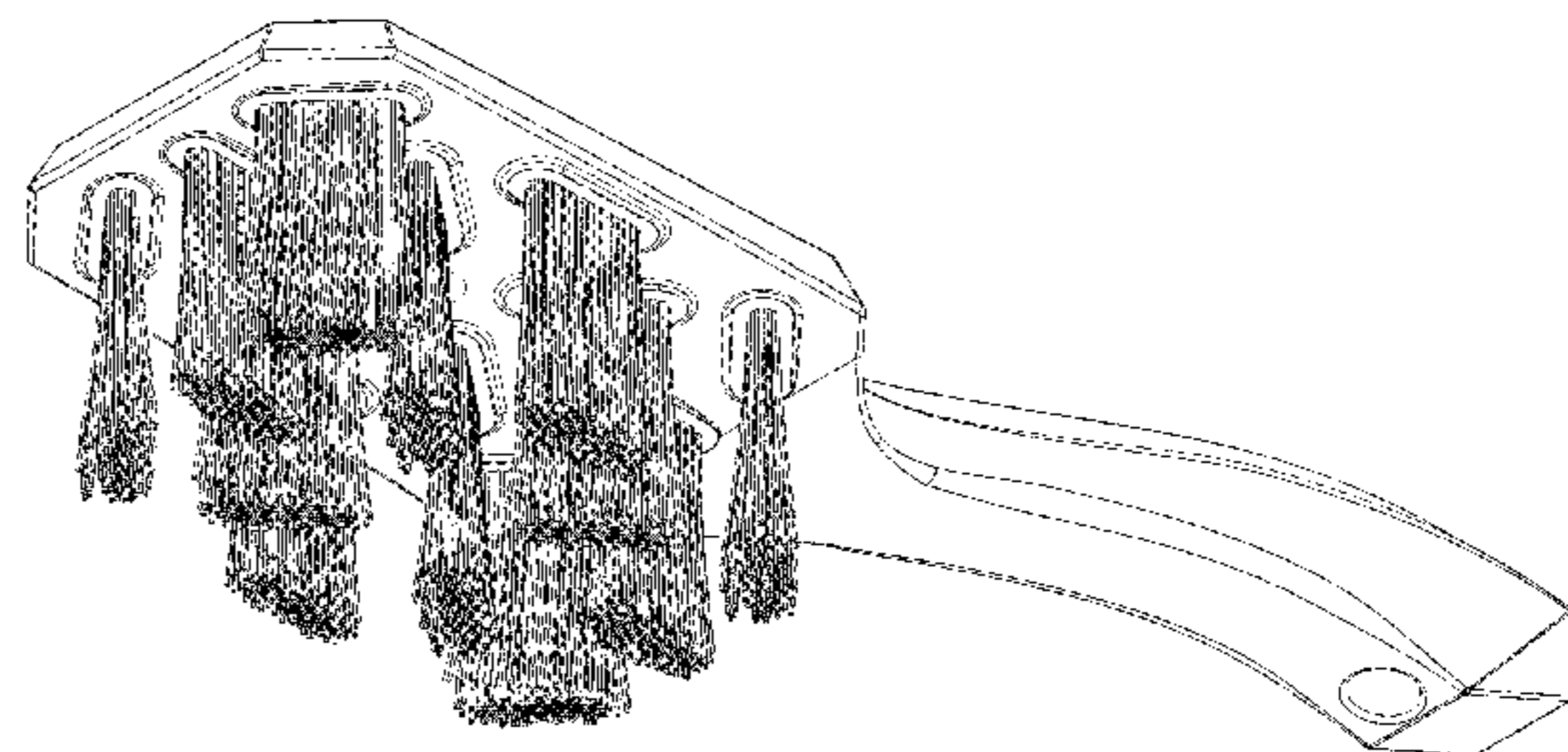
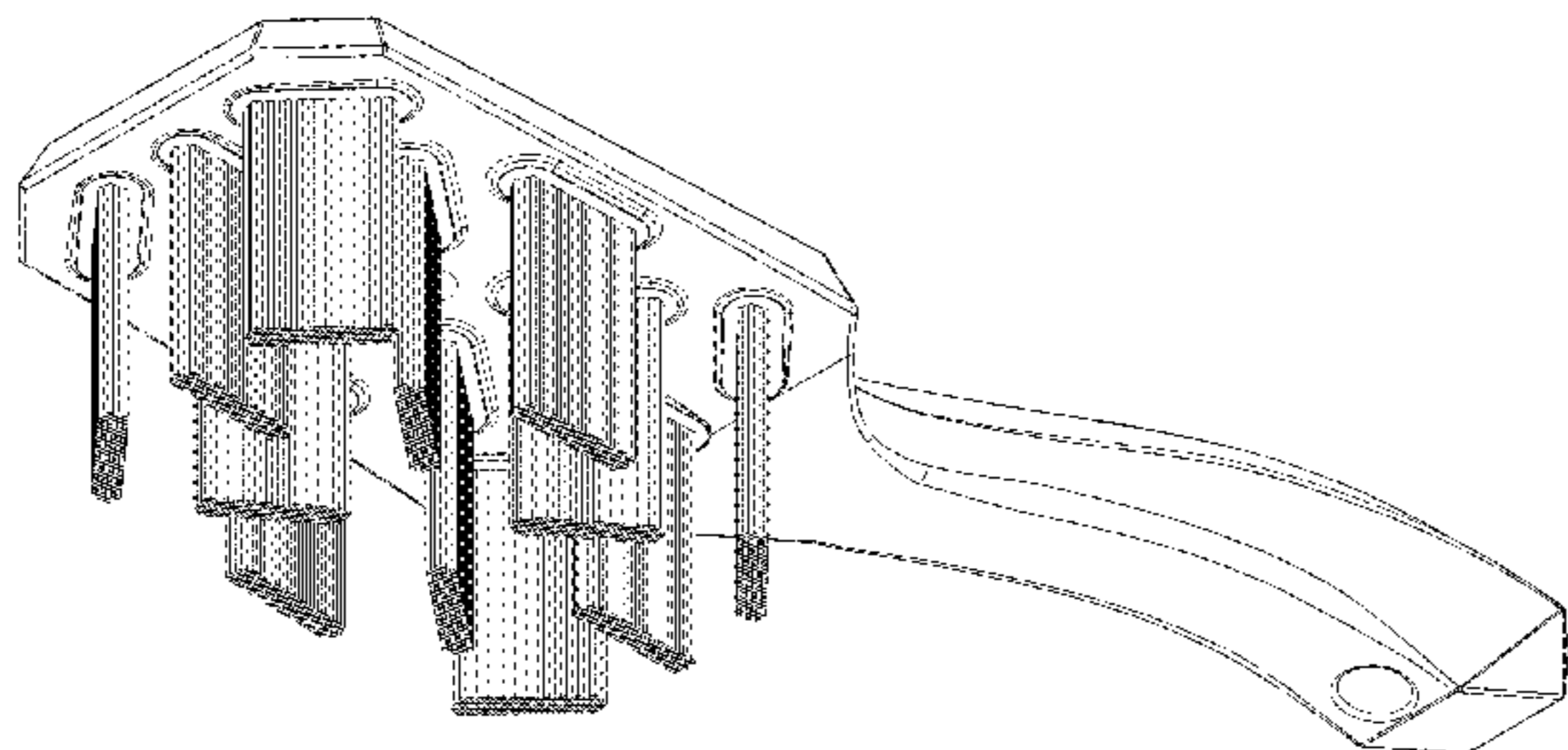
FIG. 14 is a left side elevation view thereof.

FIG. 15 is a top plan view thereof; and,

FIG. 16 is bottom plan view thereof.

The broken lines in the drawings illustrate the portion(s) of the article being enlarged, as well as the bounds of the detailed enlargements views themselves. The broken lines form no part of the claimed design.

**1 Claim, 16 Drawing Sheets**



(56)

**References Cited**

U.S. PATENT DOCUMENTS

D456,610	S	*	5/2002	Kwong	.....	D4/120
D598,203	S	*	8/2009	McNeil	.....	D4/134
D606,316	S	*	12/2009	Driesen	.....	D4/101
D606,317	S	*	12/2009	Driesen	.....	D4/101
D606,758	S	*	12/2009	Driesen	.....	D4/101
D611,711	S	*	3/2010	Driesen	.....	D4/101
D621,158	S	*	8/2010	Driesen	.....	D4/101
D646,898	S	*	10/2011	Raven	.....	D4/118
8,763,193	B1	*	7/2014	Thompson	.....	A46B 15/0055
						15/106
D741,605	S	*	10/2015	Witzel	.....	A47L 17/00
						D4/132
D791,491	S	*	7/2017	Hill	.....	D4/119
2008/0172816	A1	*	7/2008	Zhadanov	.....	A46B 5/02
						15/160

\* cited by examiner

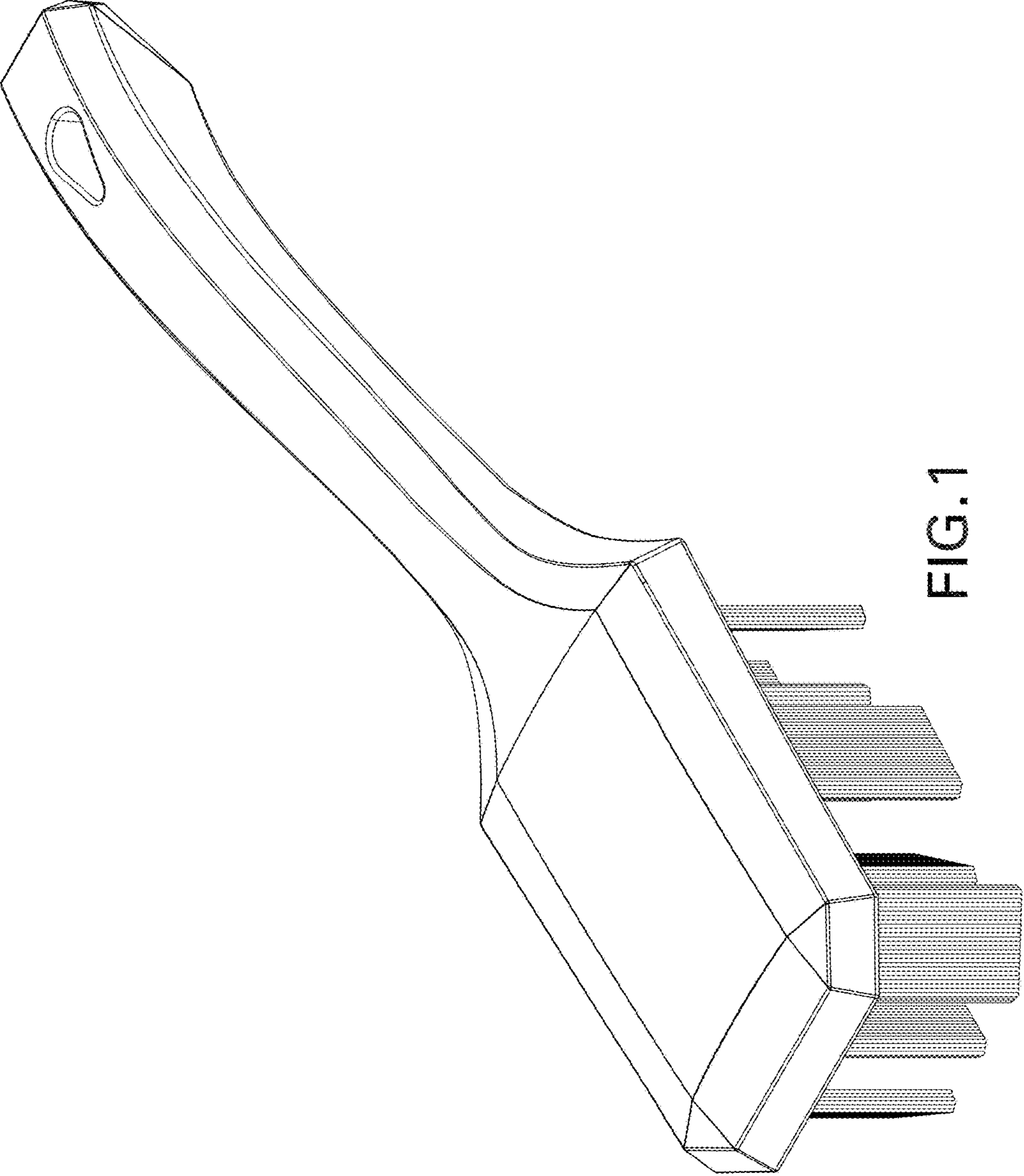


FIG. 1

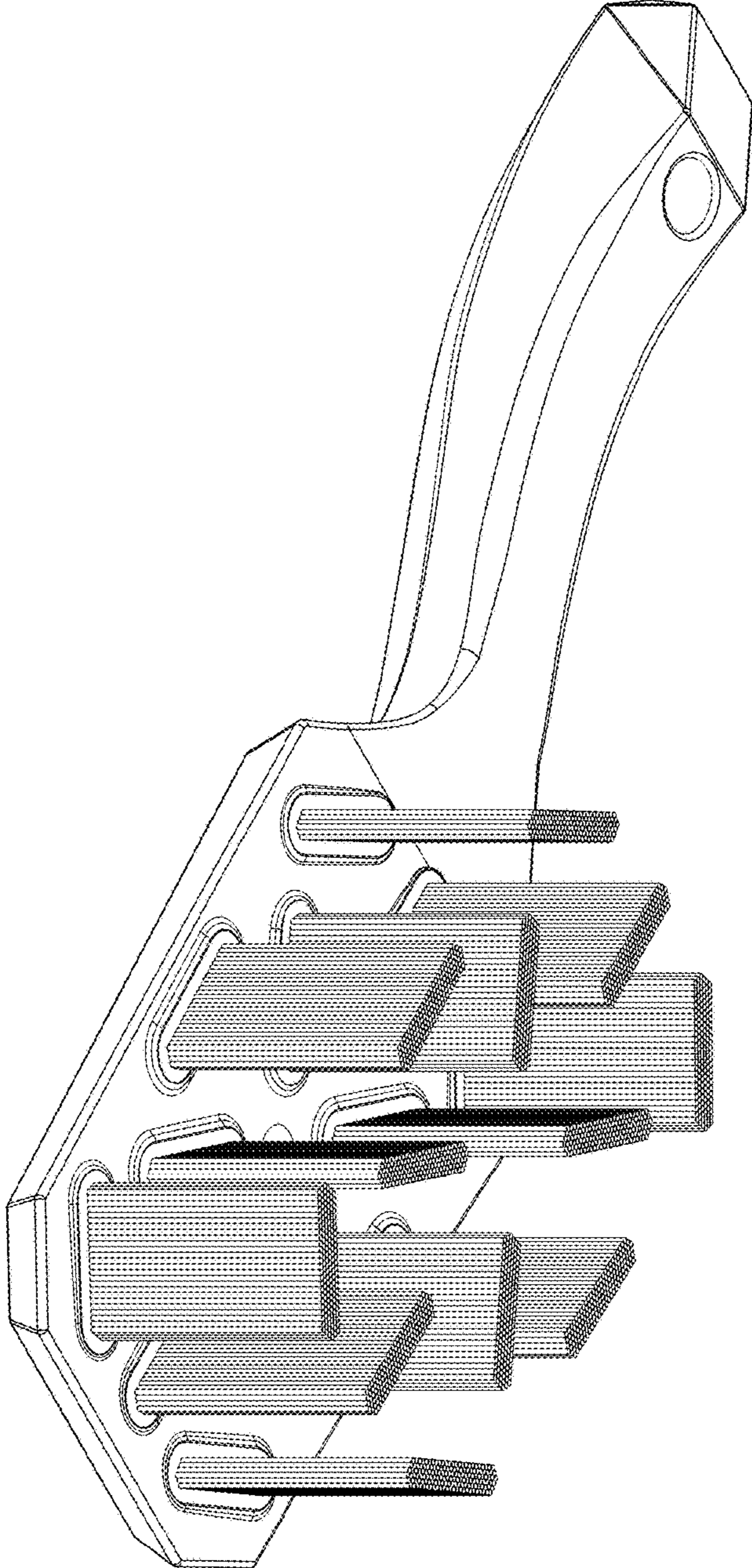


FIG.2

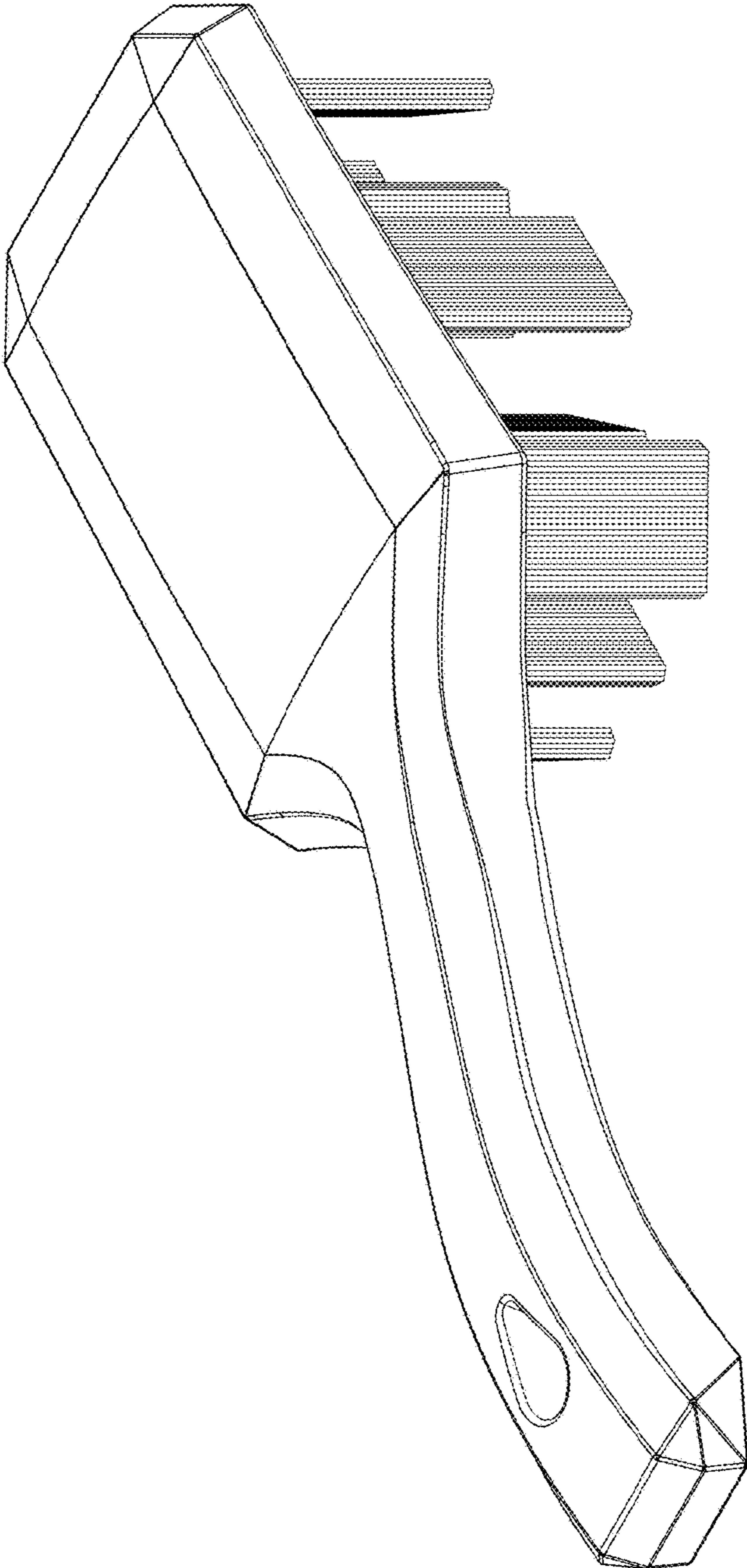


FIG. 3

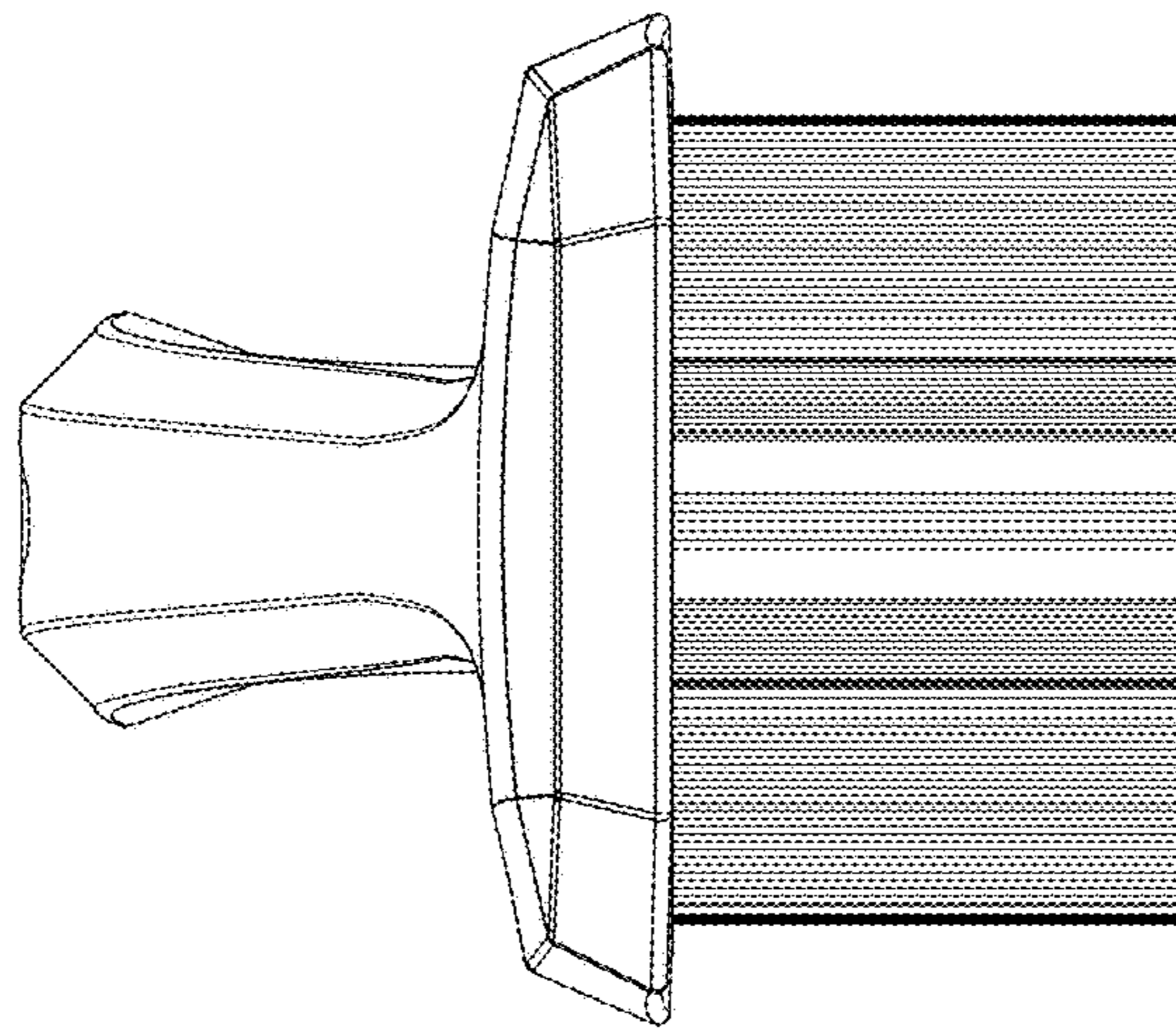


FIG. 4

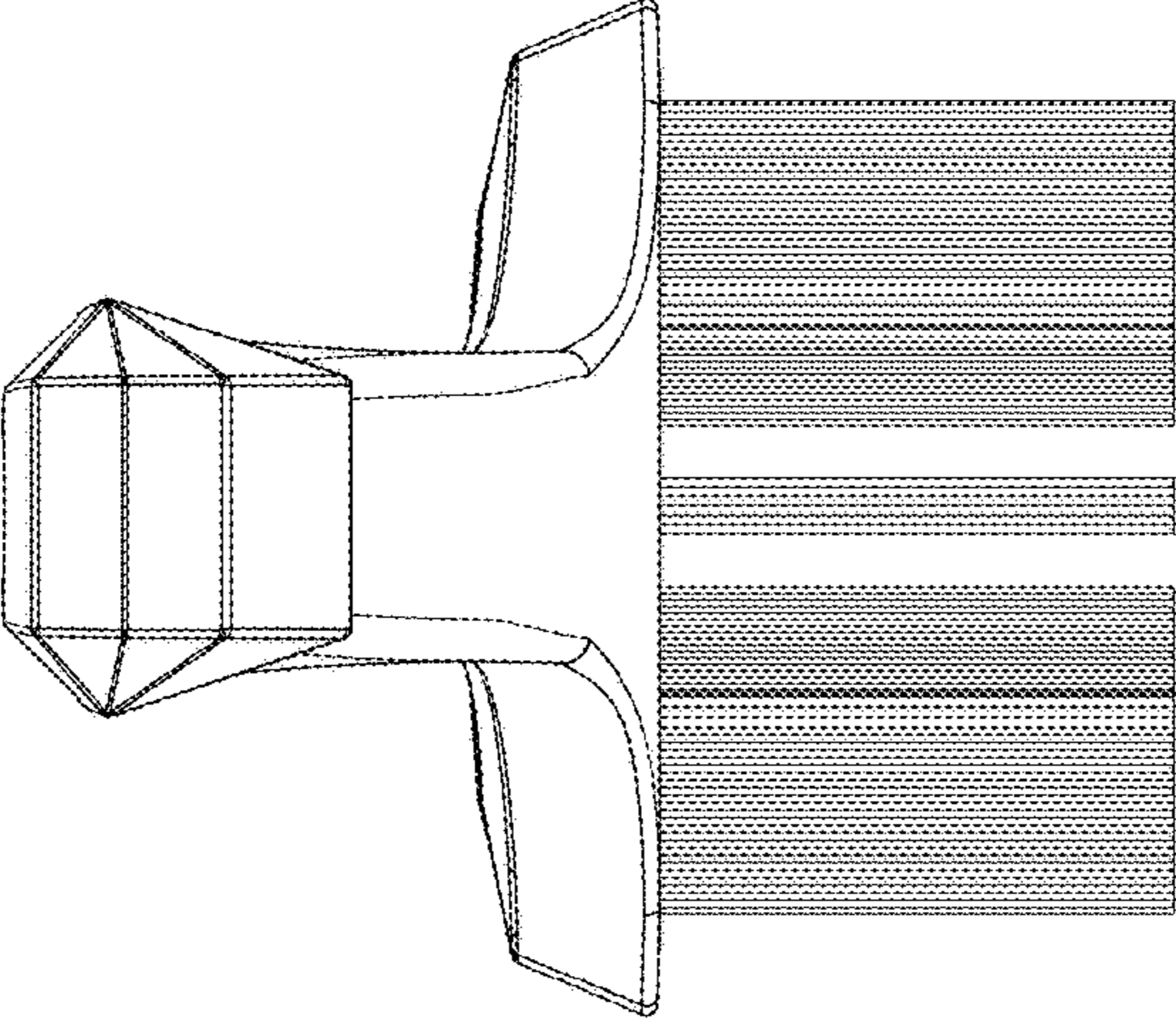


FIG. 5

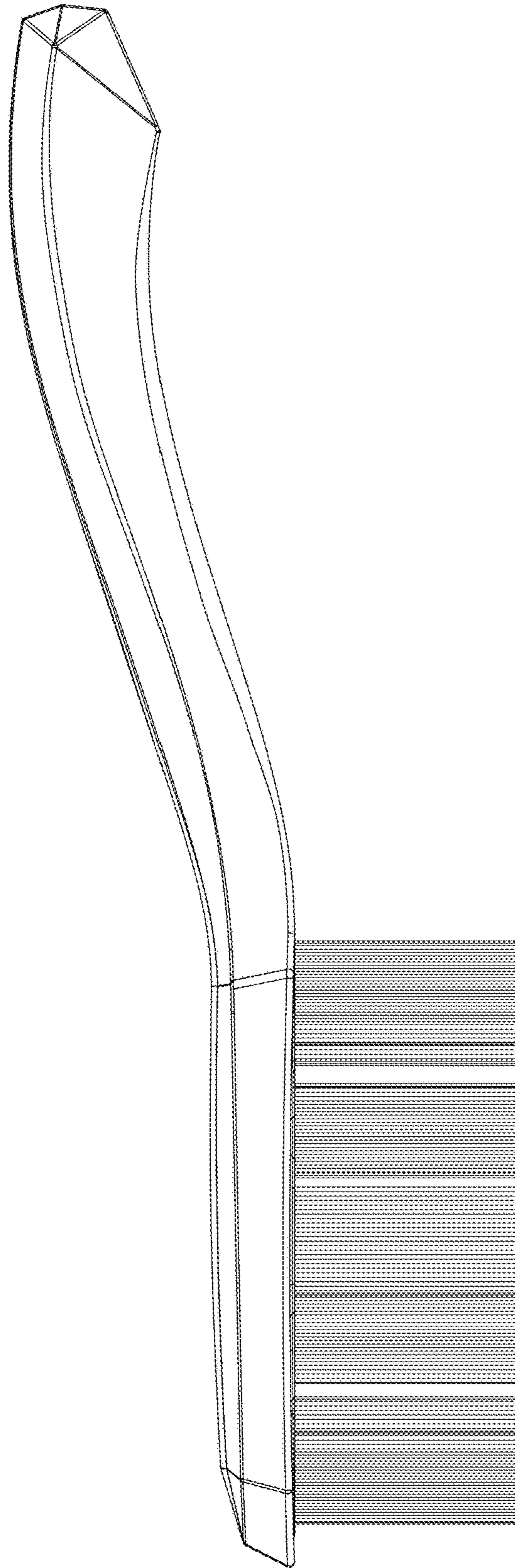


FIG. 6



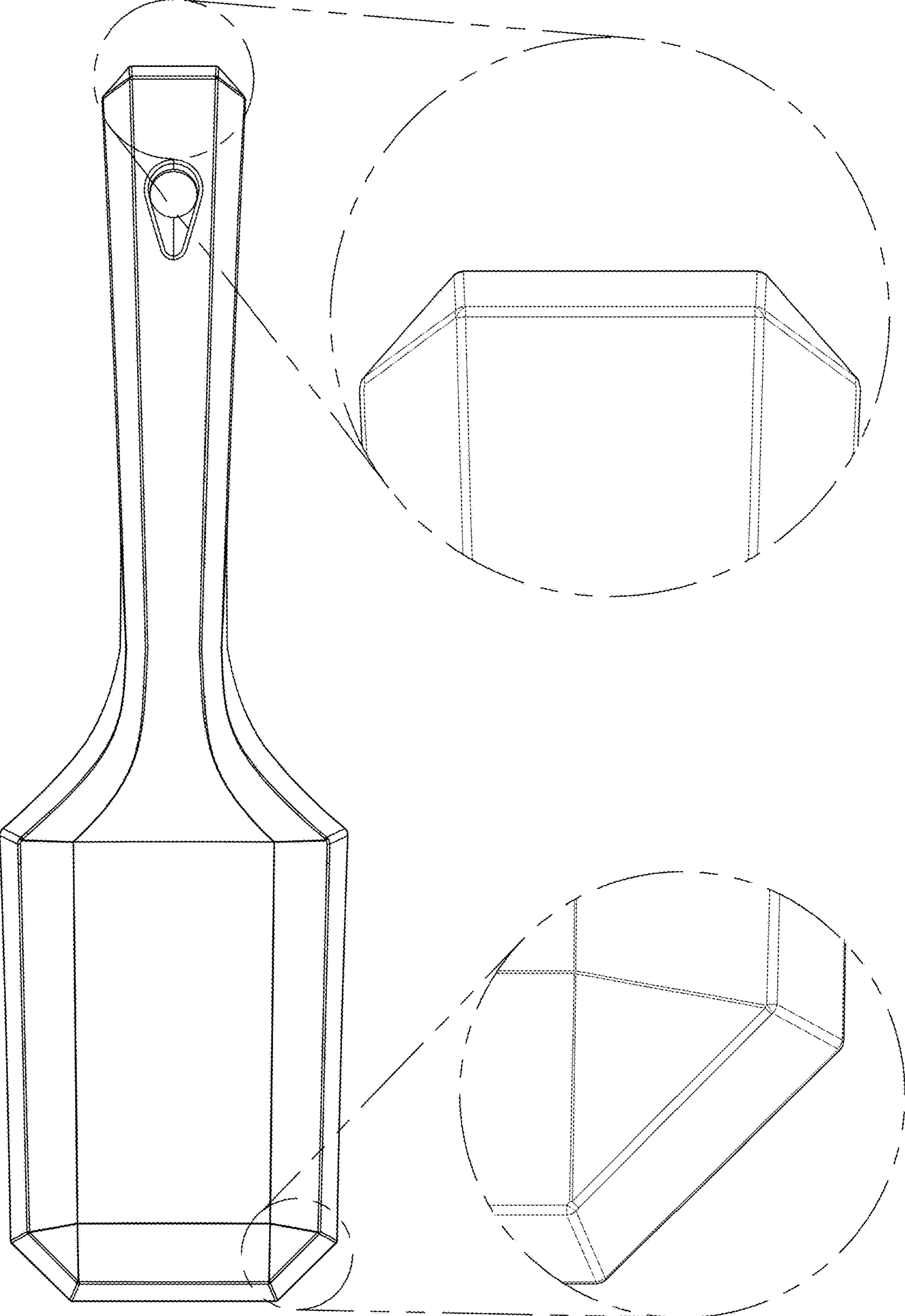


FIG. 7

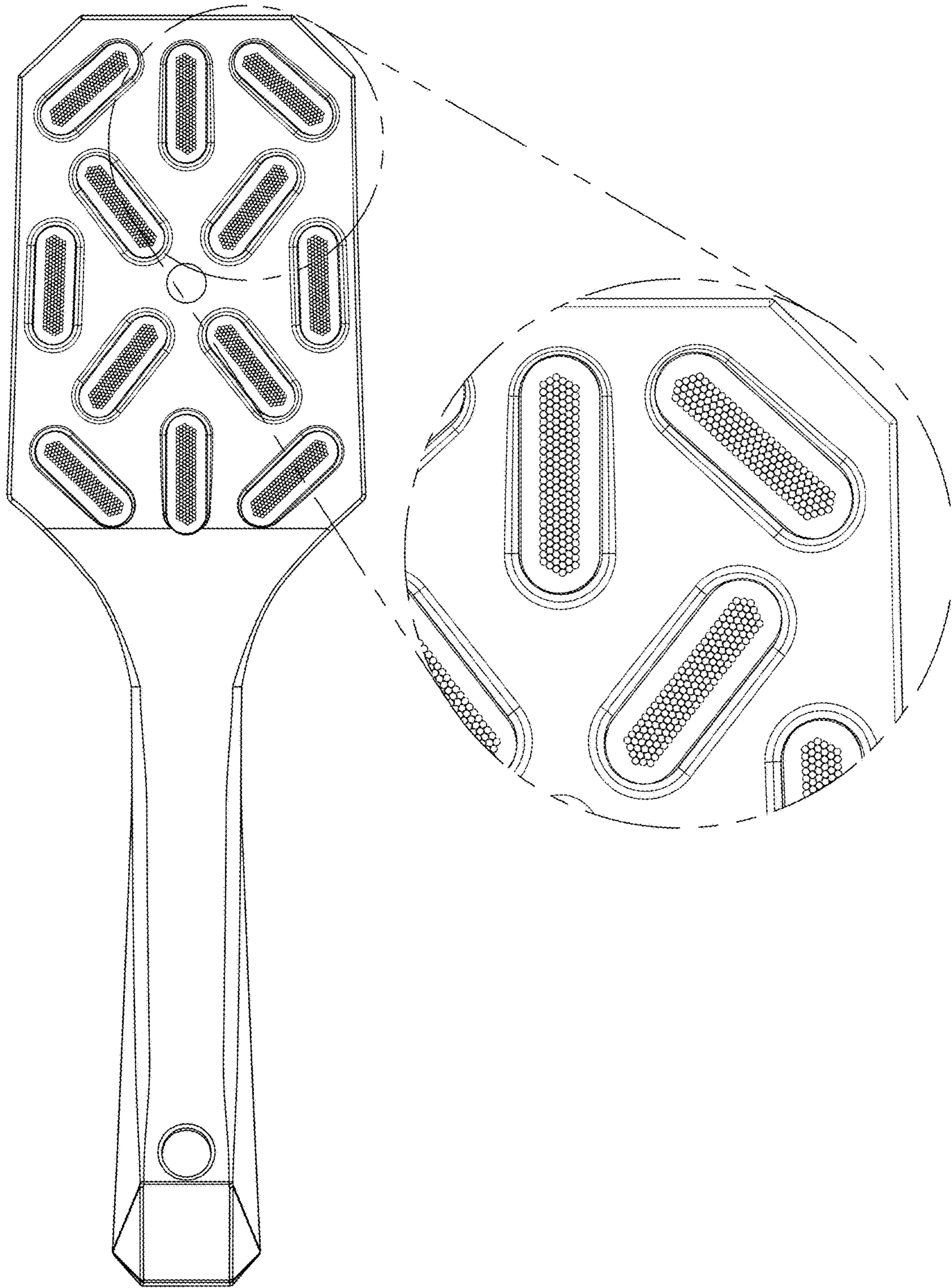
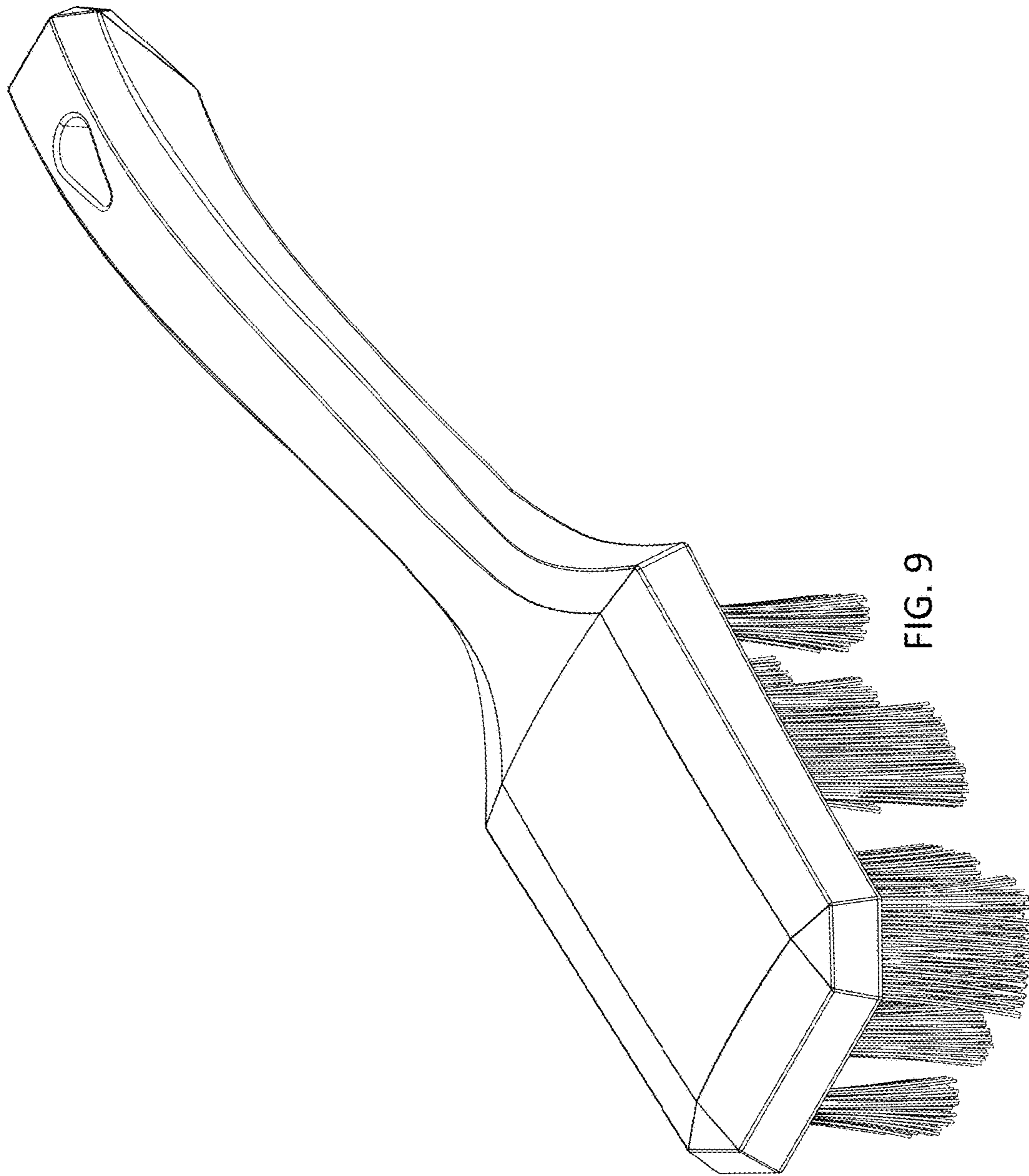


FIG. 8



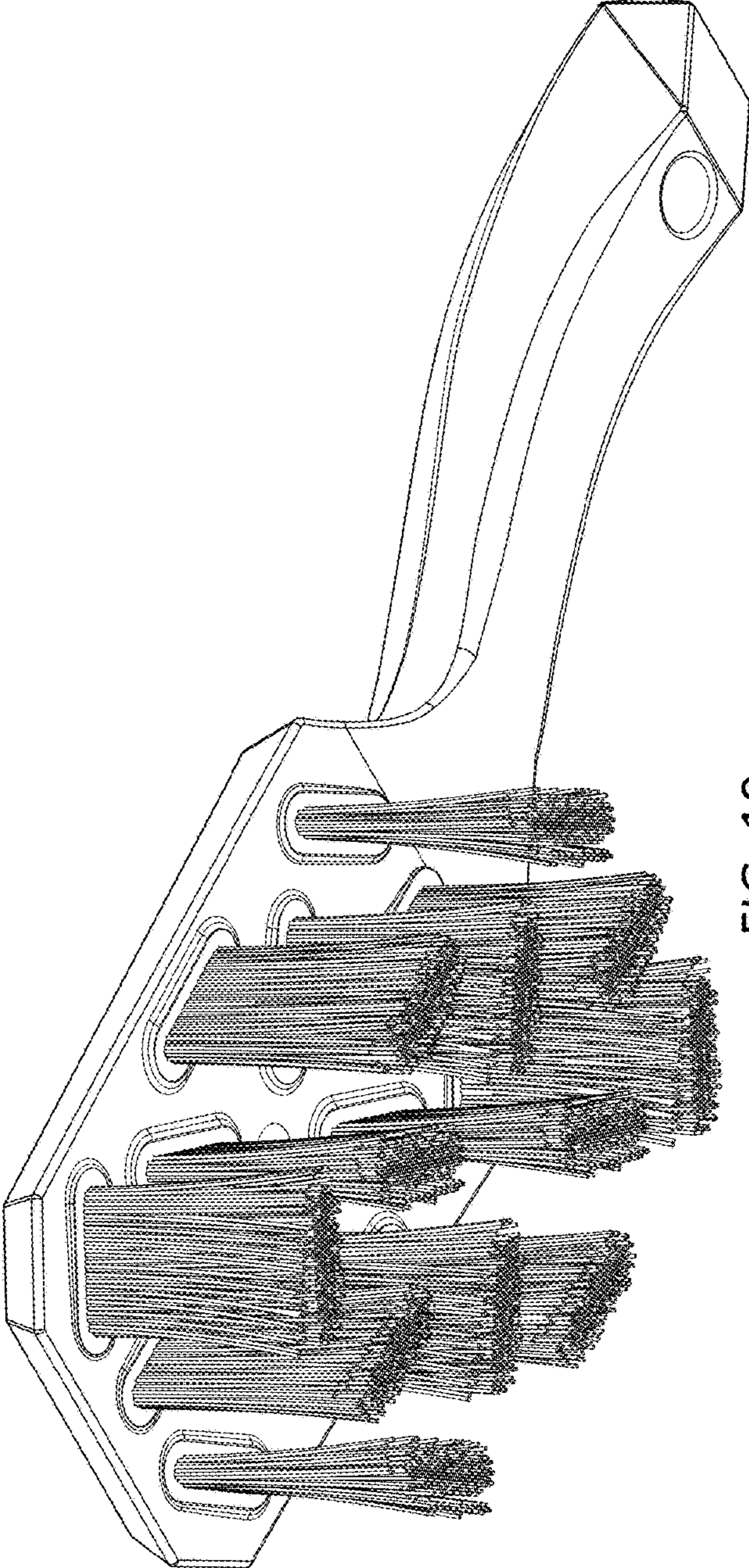


FIG. 10

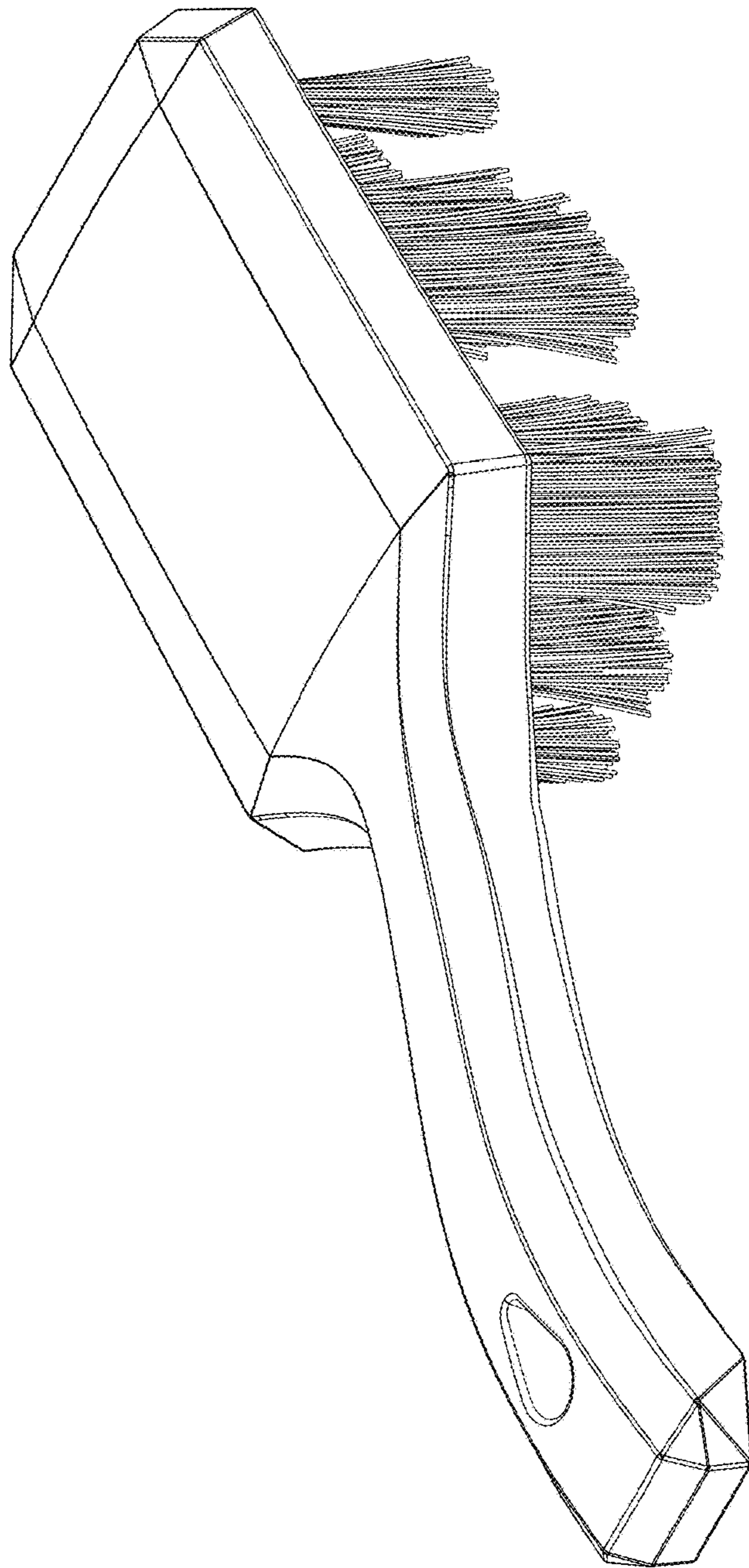


FIG. 11

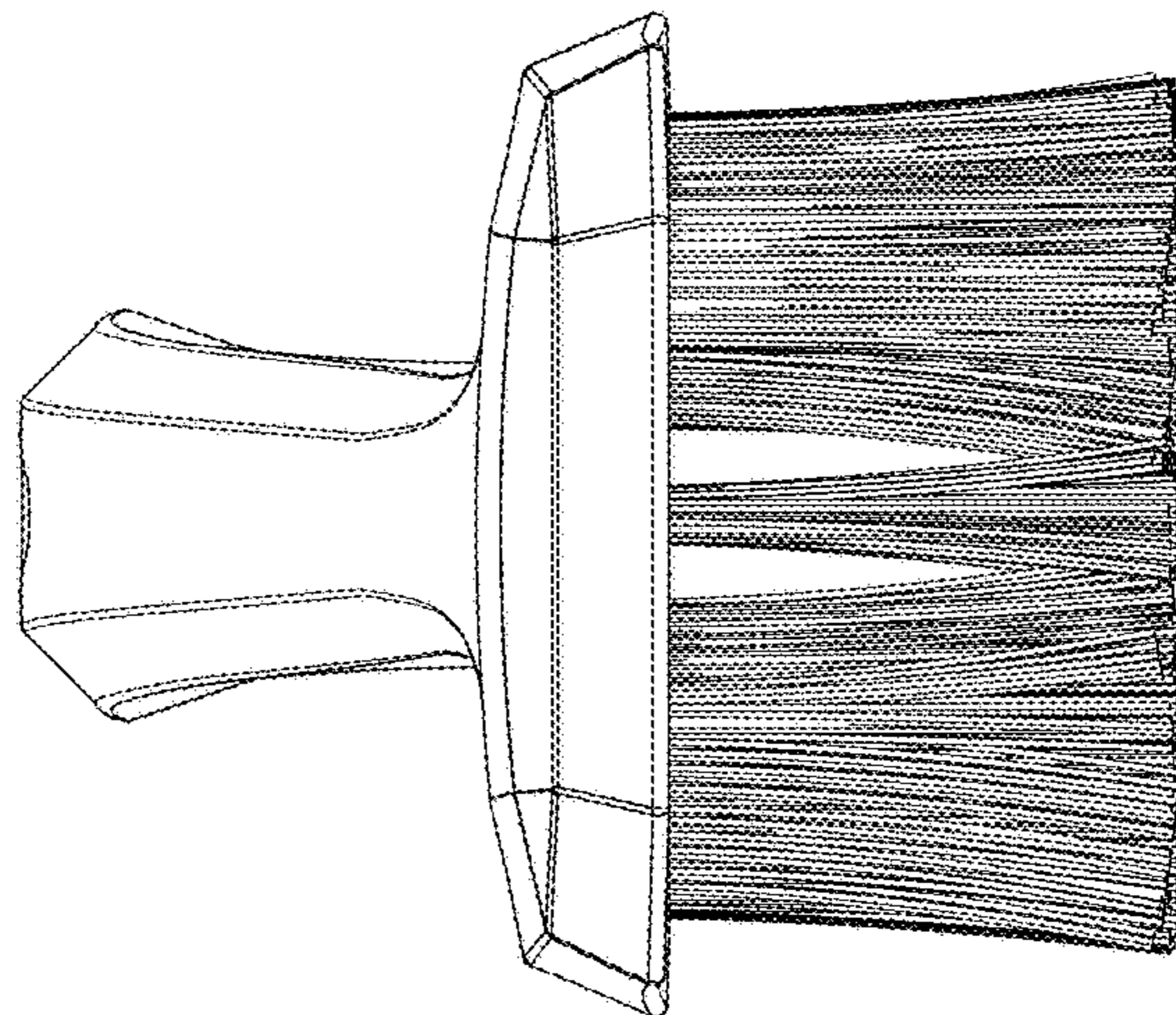


FIG. 12

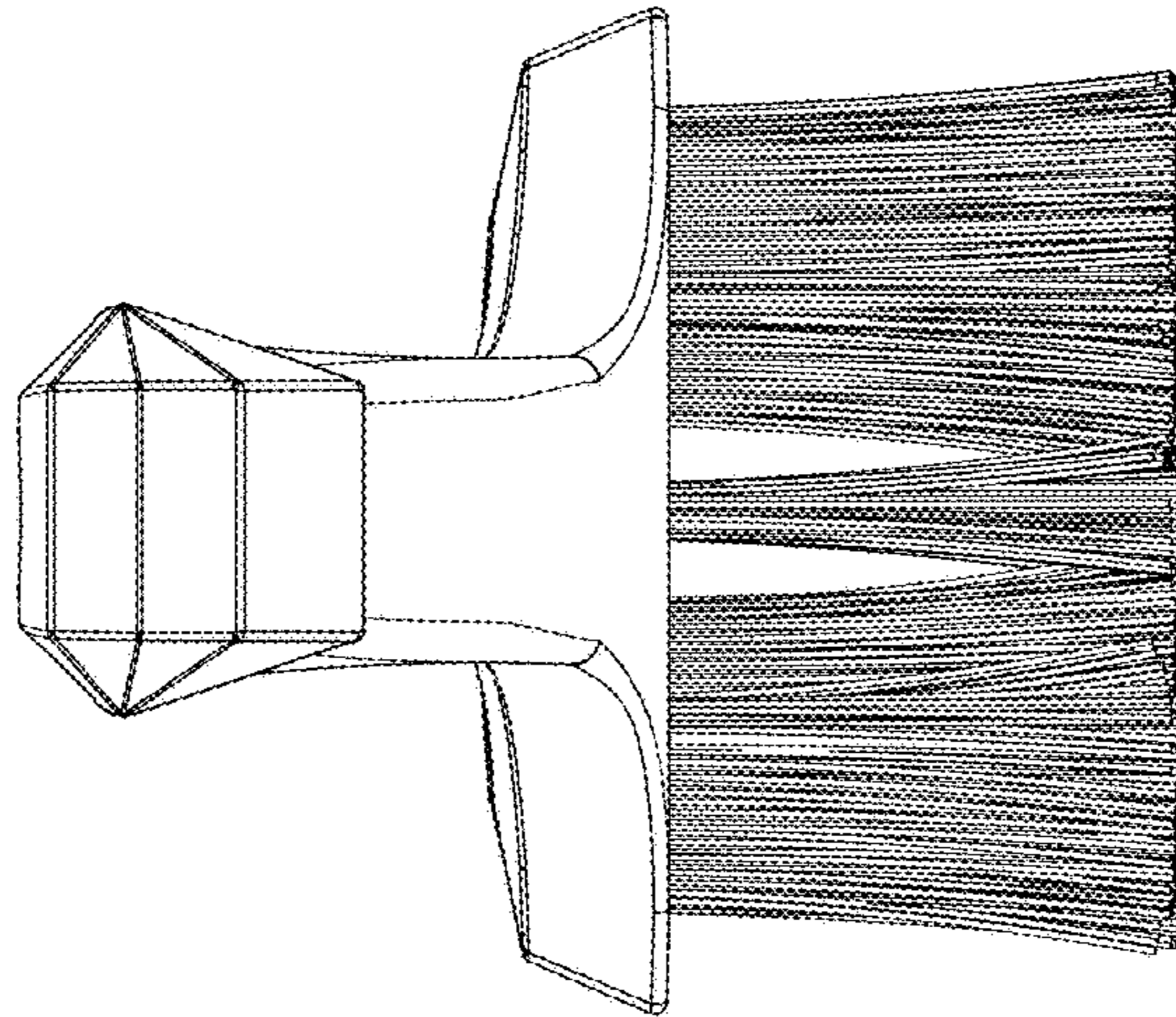


FIG. 13

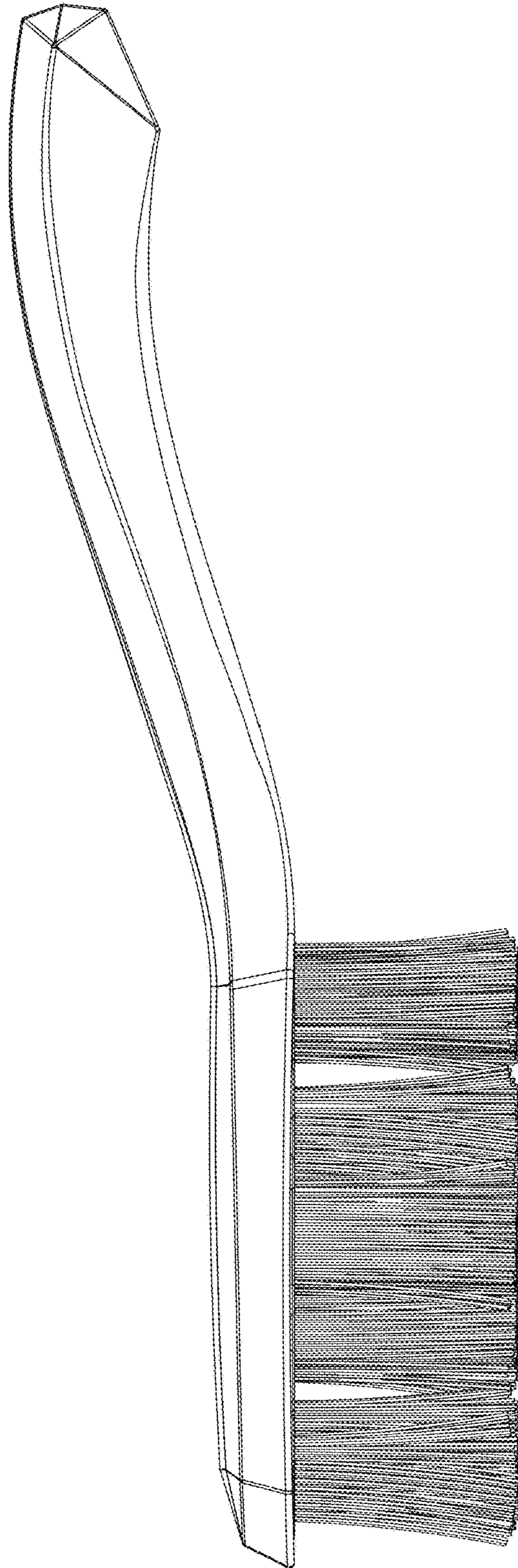


FIG. 14



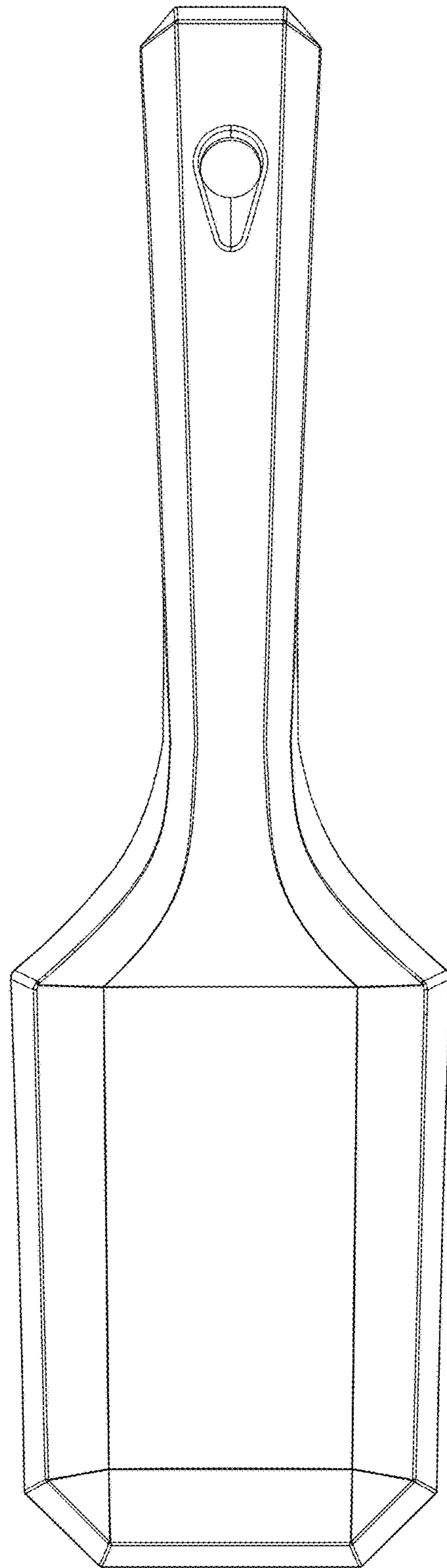


FIG. 15

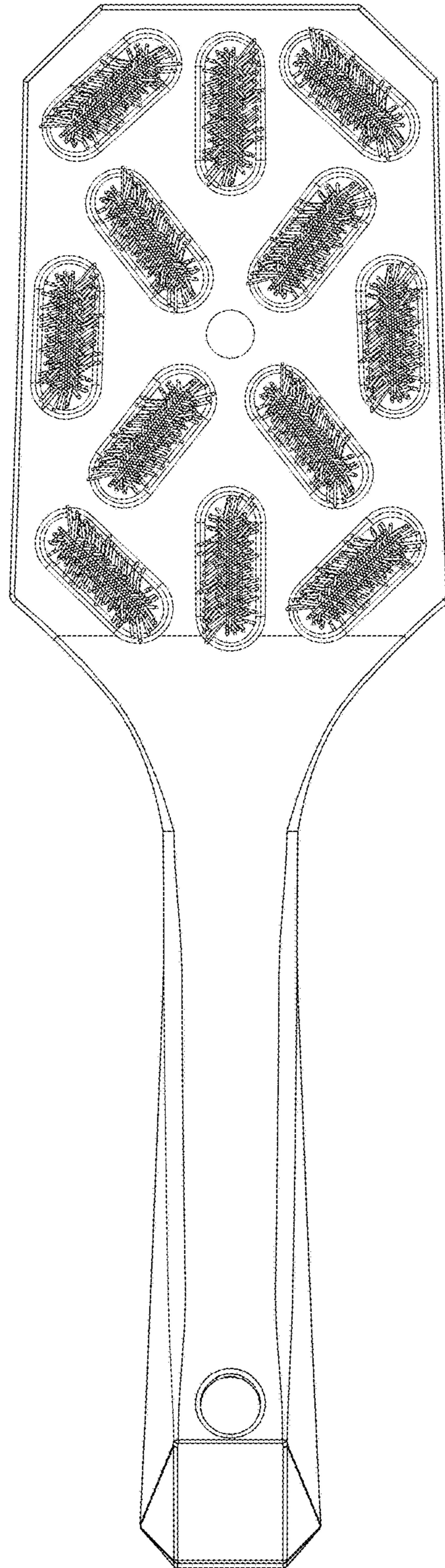


FIG. 16