



US00D839607S

(12) **United States Design Patent** (10) **Patent No.:** **US D839,607 S**
Kuo (45) **Date of Patent:** **** Feb. 5, 2019**

(54) **HAIR BRUSH**
(71) Applicant: **Conair Corporation**, Stamford, CT (US)
(72) Inventor: **Chiou-Chern Kuo**, Taipei (TW)
(73) Assignee: **Conair Corporation**, Stamford, CT (US)
(**) Term: **15 Years**
(21) Appl. No.: **29/613,328**
(22) Filed: **Aug. 9, 2017**
(51) **LOC (11) Cl.** **04-02**
(52) **U.S. Cl.**
USPC **D4/134; D4/136**
(58) **Field of Classification Search**
USPC D4/114, 115, 116, 117, 121, 122, 123, D4/127, 128, 129, 130, 131, 132, 133, D4/135, 136, 137, 138, 199; D24/211, D24/214, 215; D30/158, 159; D32/61
CPC A46B 5/02; A46B 9/023; A46B 2200/104; A46B 9/028; A46D 1/0253; A46D 1/0284; A46D 1/0238; A45D 44/18
See application file for complete search history.

(56) **References Cited**
U.S. PATENT DOCUMENTS
D89,299 S * 2/1933 Fay 15/167.1
D171,735 S * 3/1954 Schotland D4/133
D177,770 S * 5/1956 Solomon D4/136
D238,316 S * 1/1976 Kahn D4/136
4,307,739 A * 12/1981 Chern A46B 17/06
132/313
D263,096 S * 2/1982 Wachtel D4/136
D263,768 S * 4/1982 Birch D4/136
D280,268 S * 8/1985 Schmidt D4/136
D372,336 S * 7/1996 Kip D28/18
5,771,904 A * 6/1998 Lange A46D 1/00
132/144

6,044,514 A * 4/2000 Kaneda A46B 3/16
15/110
6,088,869 A * 7/2000 Kaneda A46B 3/16
15/110
6,681,777 B2 * 1/2004 Gueret A45D 40/265
132/151

(Continued)

FOREIGN PATENT DOCUMENTS

EM 002432161-24 * 10/2014
JP D1341199 * 10/2008

OTHER PUBLICATIONS

#87340 Conair Ultimate Root Booster Paddle Brush [on-line]. Retrieved from the Internet Sep. 14, 2018. URL: <<https://www.conairhairbrushes.com/product-page/conair-ultimate-root-booster-paddle-brush-87340>>. (2 pages) (Year: 2018).*

(Continued)

Primary Examiner — Karen E Eldridge Powers
(74) *Attorney, Agent, or Firm* — Ohlandt, Greeley, Ruggiero & Perle, L.L.P.

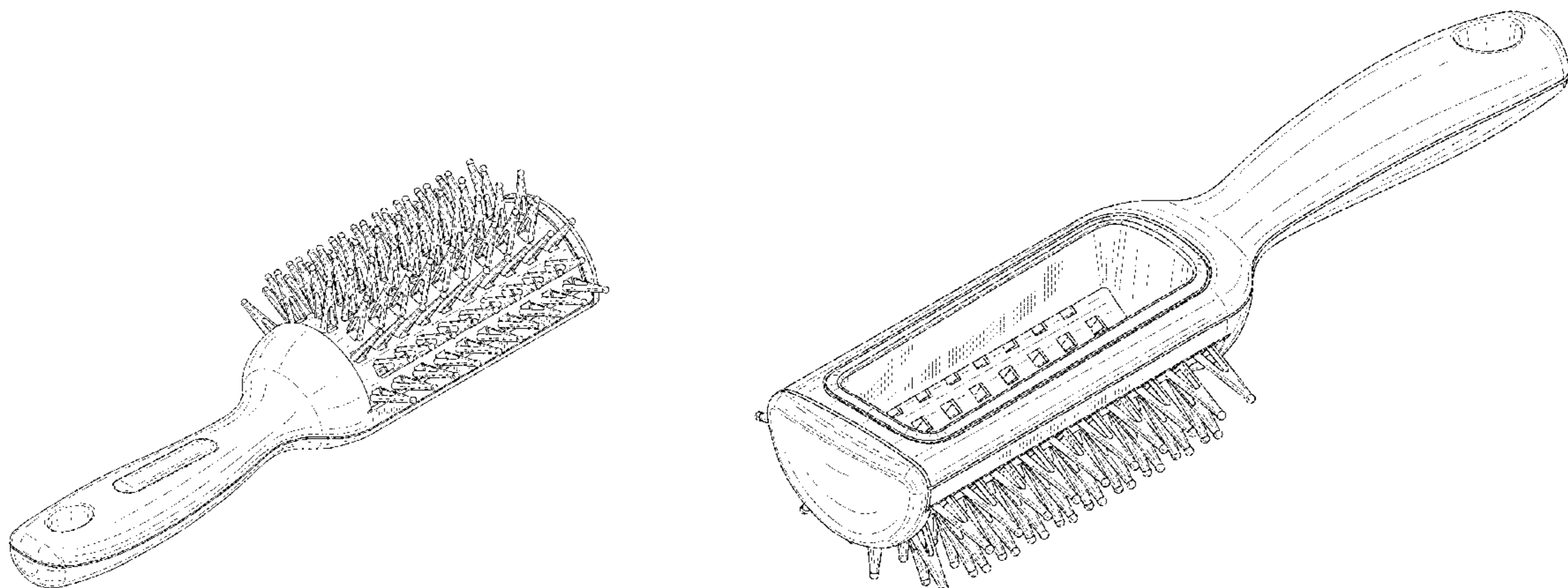
(57) **CLAIM**

The ornamental design for a hair brush, as shown and described.

DESCRIPTION

FIG. 1 is a bottom front perspective view of a new design for a hair brush according to the present invention; FIG. 2 is a top front perspective view thereof; FIG. 3 is a top rear perspective view thereof; FIG. 4 is a front elevational view thereof; FIG. 5 is a rear elevational view thereof; FIG. 6 is a first side elevational view thereof, wherein a second side elevational view is identical to and opposite of the first side elevational view; FIG. 7 is a top plan view thereof; and, FIG. 8 is a bottom plan view thereof.

1 Claim, 7 Drawing Sheets



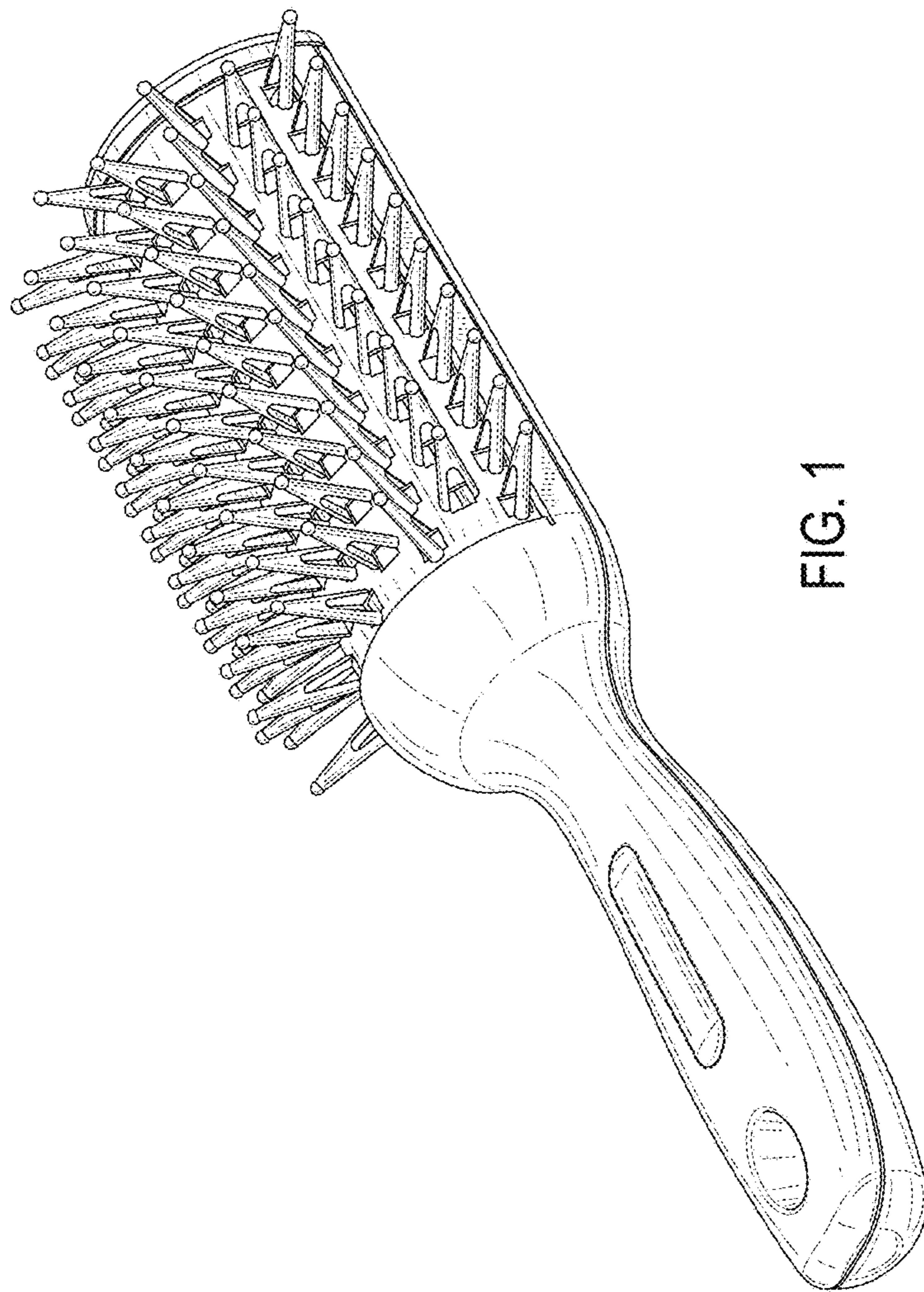


FIG. 1

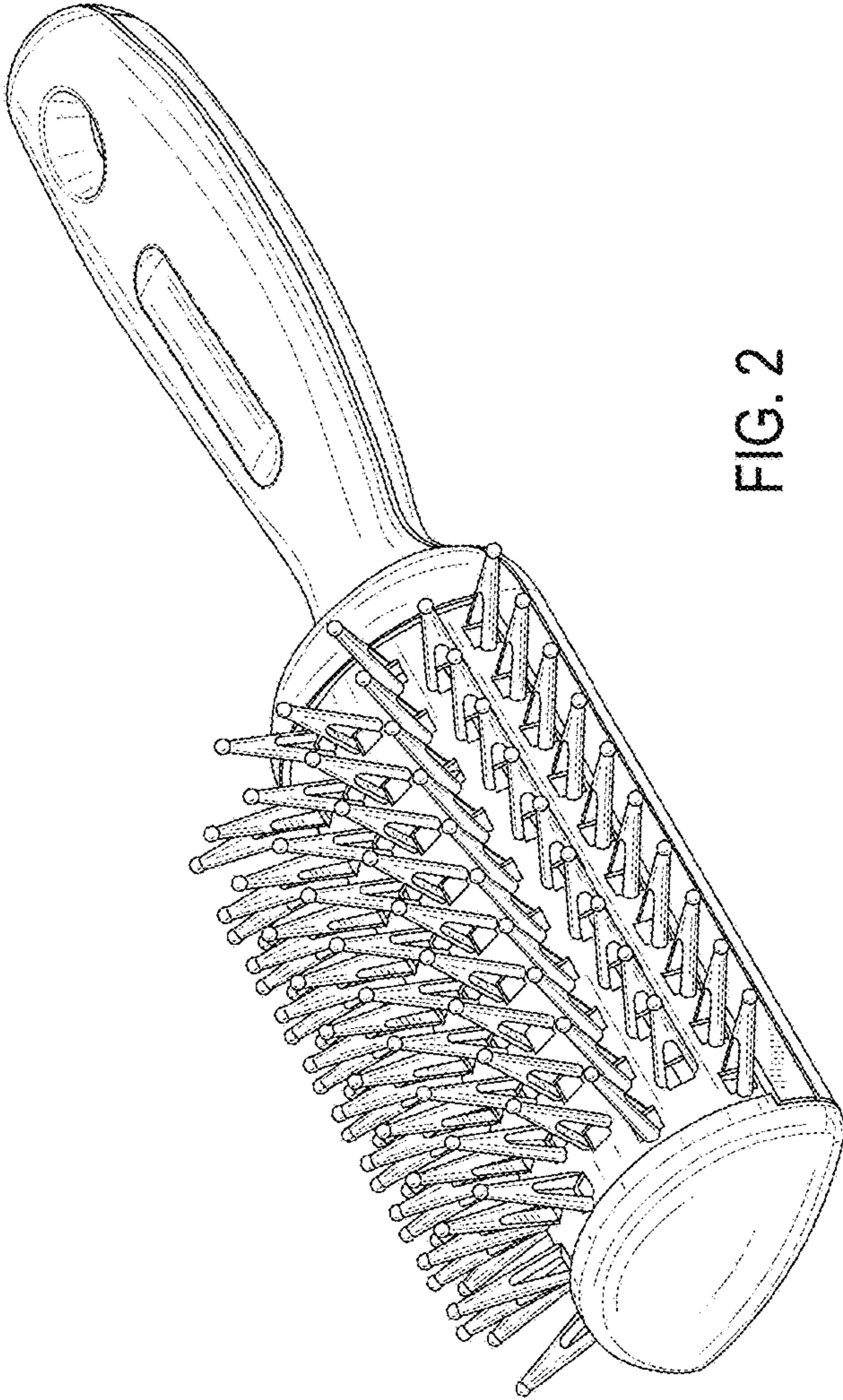


FIG. 2

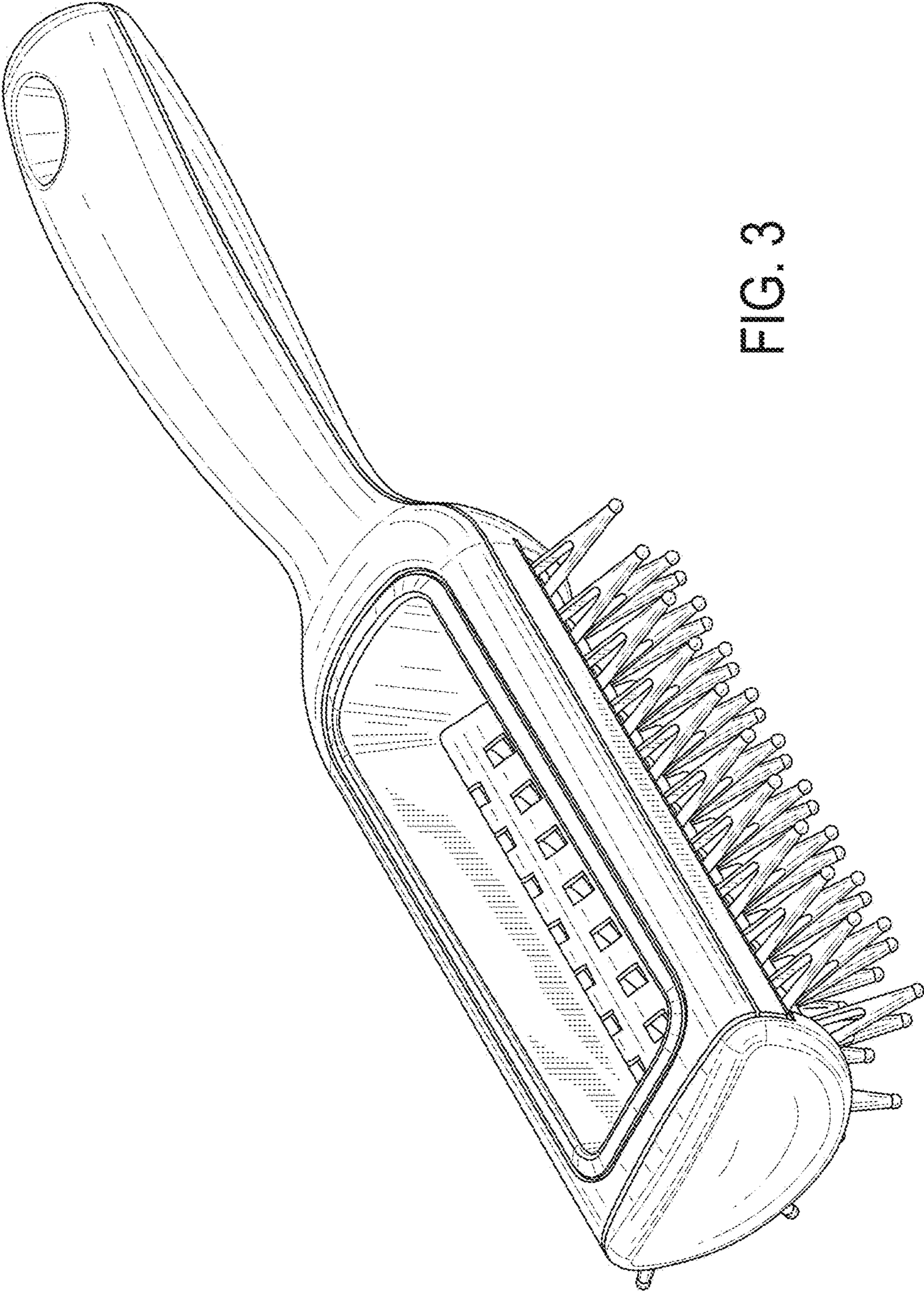


FIG. 3

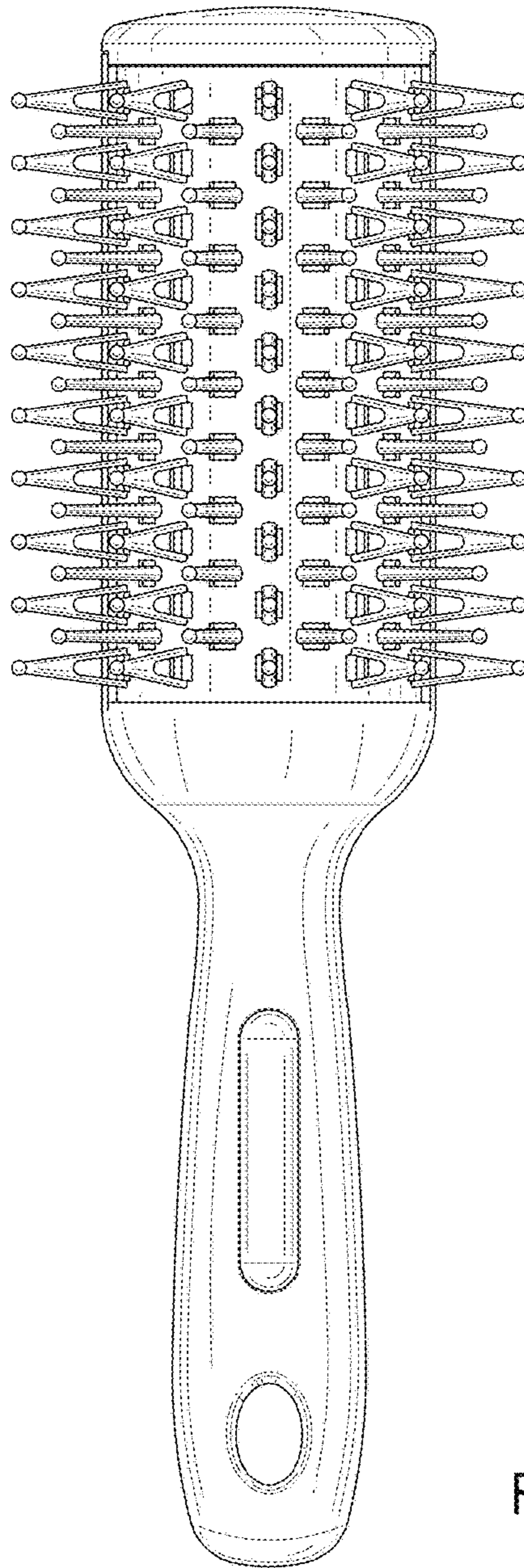


FIG. 4

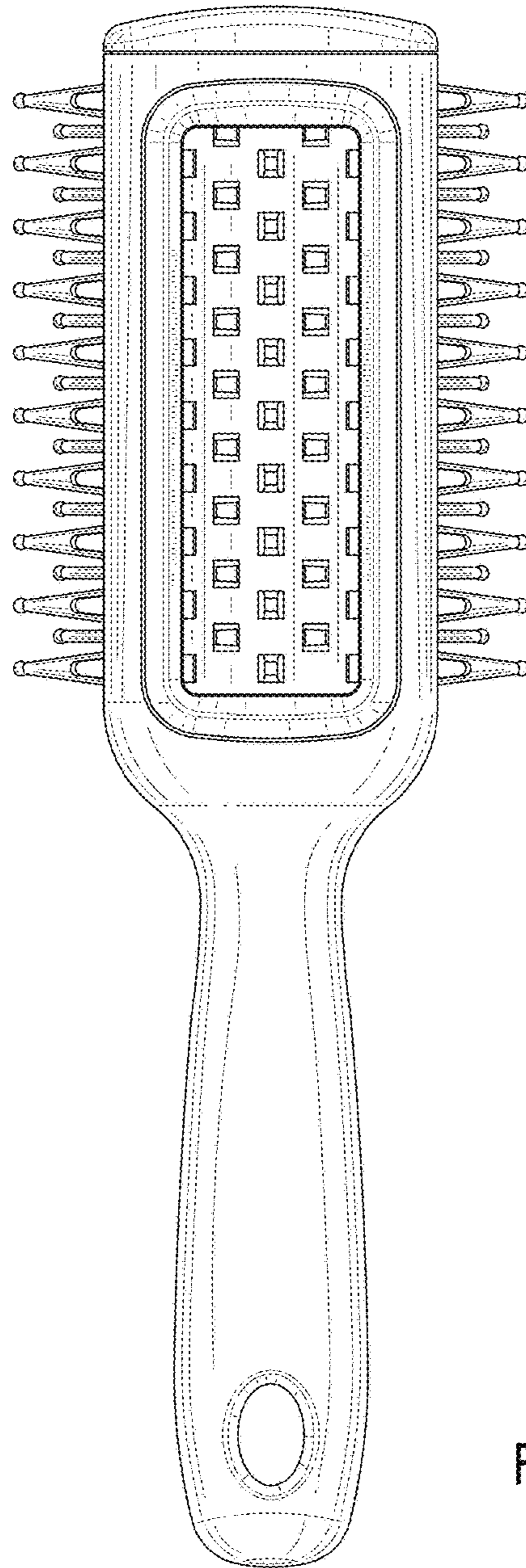


FIG. 5

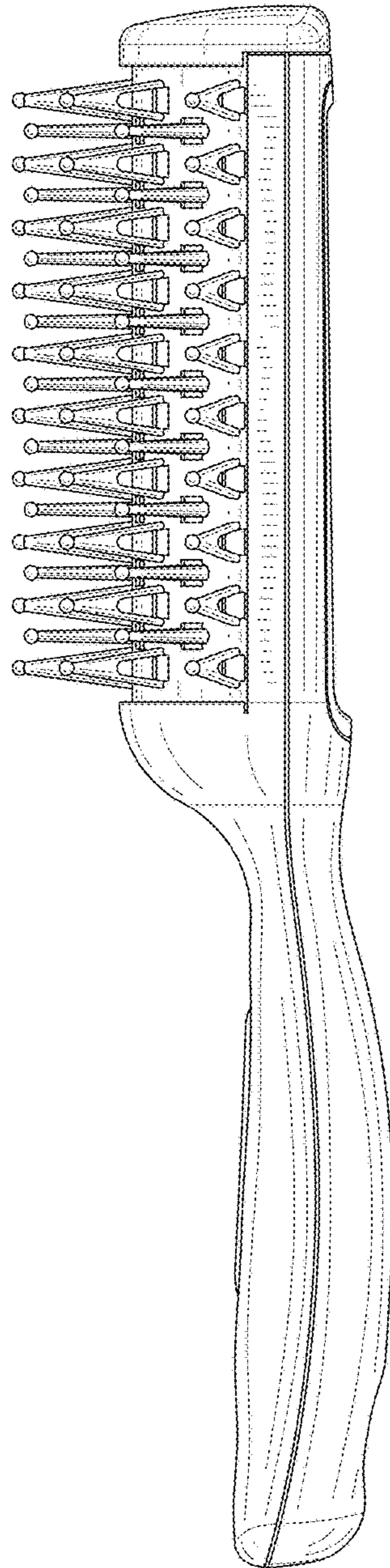


FIG. 6

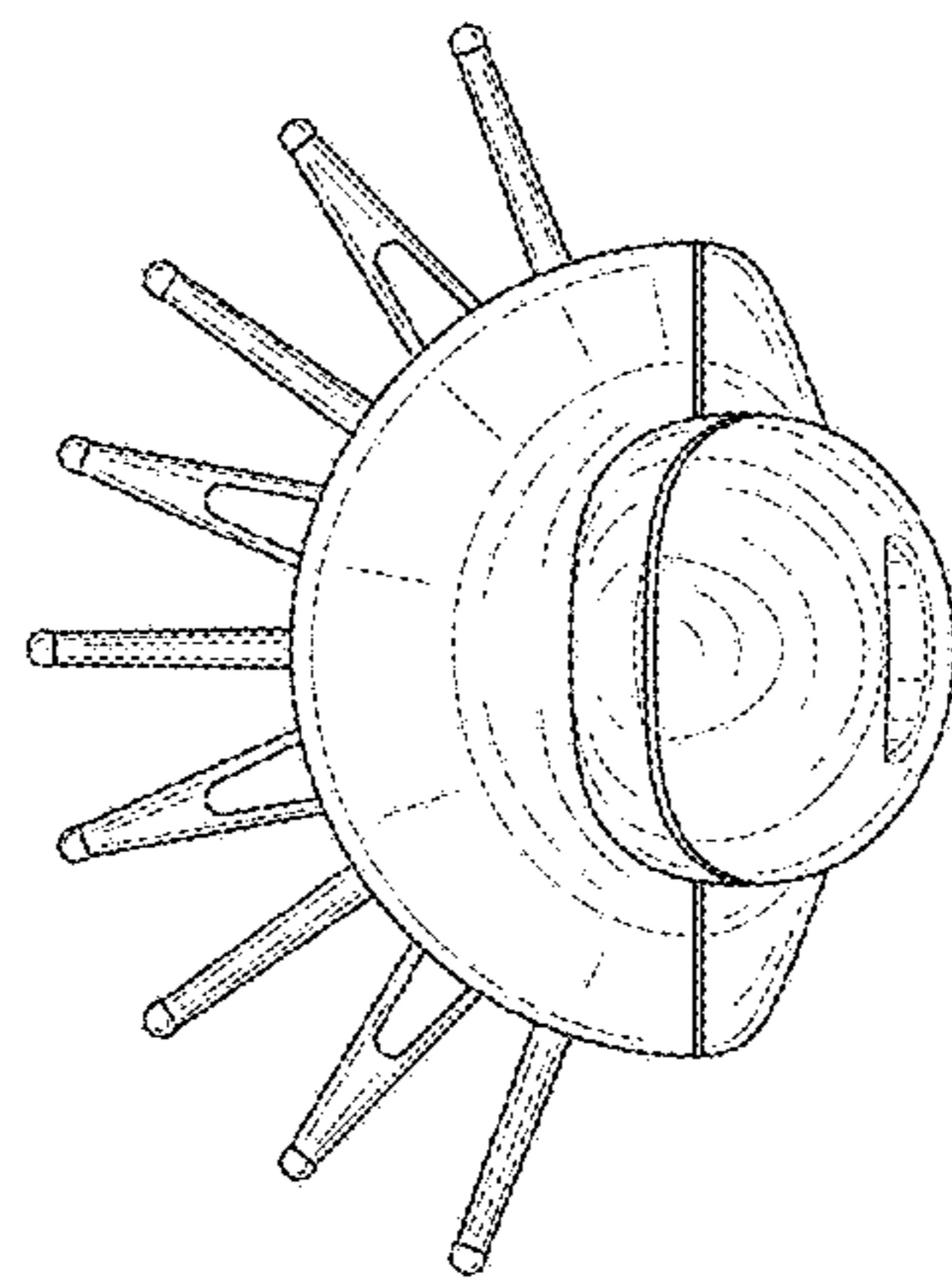


FIG. 8

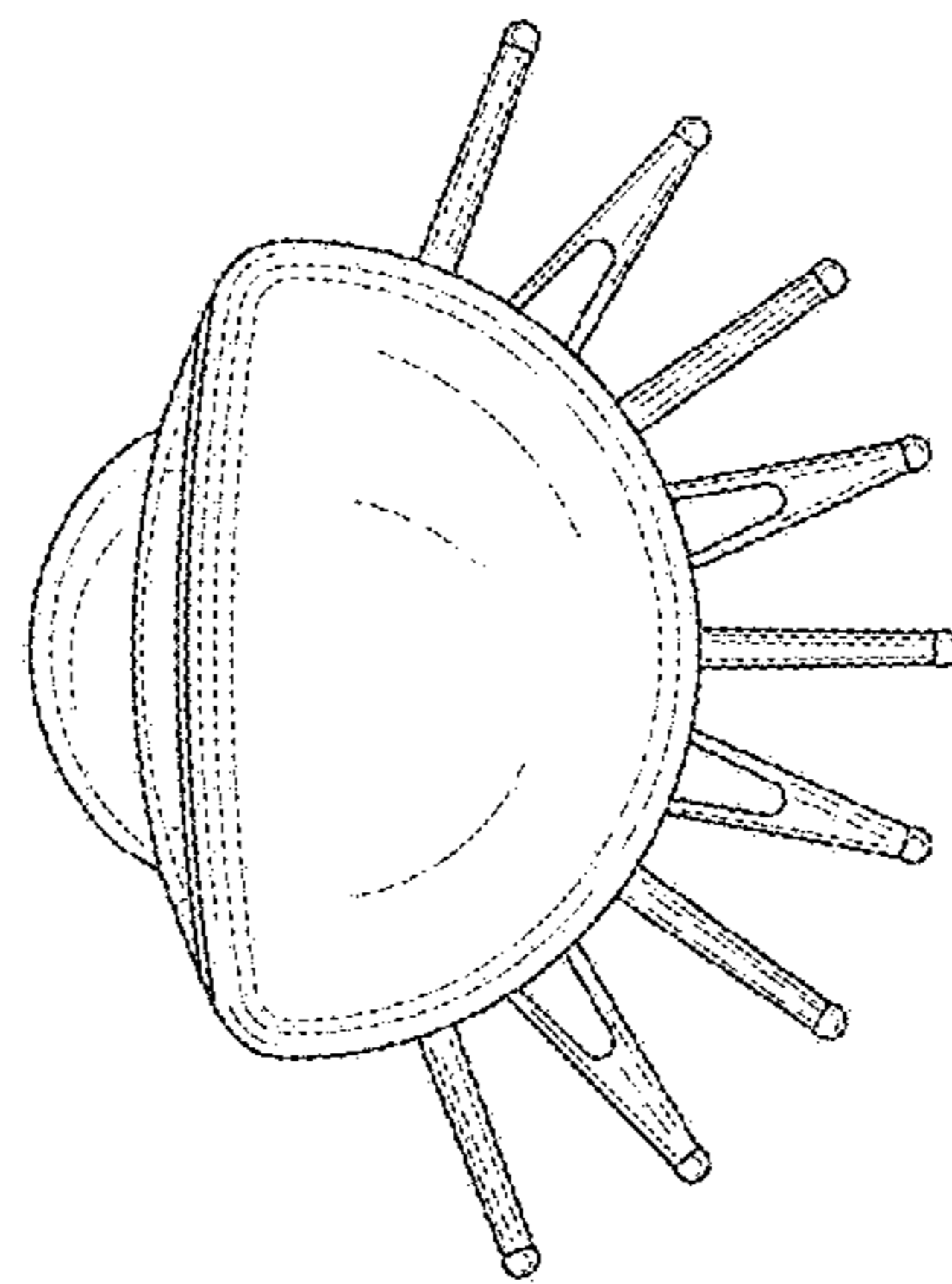


FIG. 7