



US00D839603S

(12) **United States Design Patent**
Szymanski

(10) **Patent No.:** **US D839,603 S**

(45) **Date of Patent:** **** Feb. 5, 2019**

(54) **BRUSH HEAD**

(71) Applicant: **Ningbo Troika Science & Technology Company Limited, Ningbo (CN)**

(72) Inventor: **Aaron Szymanski, Thomaston, CT (US)**

(73) Assignee: **Ningbo Troika Science & Technology Company Limited, Ningbo (CN)**

(**) Term: **15 Years**

(21) Appl. No.: **29/637,668**

(22) Filed: **Feb. 21, 2018**

(51) **LOC (11) Cl.** **14-01**

(52) **U.S. Cl.**
USPC **D4/122**

(58) **Field of Classification Search**
USPC D4/122, 199; D6/317, 566; D8/370, D8/373, 107, 303; 15/27, 230.11; 211/106, 106.01; 248/302; 492/13, 16, 492/17, 19; 16/422, 430, 431, 902, 16/DIG. 12, DIG. 18, DIG. 19
CPC B05C 1/00; B05C 1/02; B05C 17/0205; B44D 2/00
See application file for complete search history.

(56) **References Cited**

U.S. PATENT DOCUMENTS

D311,553 S * 10/1990 Dideriksen D21/526
D562,559 S * 2/2008 Murray D4/102
D601,347 S * 10/2009 Wales D4/122
D627,565 S * 11/2010 Tyce D4/102
D641,555 S * 7/2011 Schochet D4/102

D671,748 S * 12/2012 Guyton D4/122
D690,943 S * 10/2013 Pelo D4/122
D699,445 S * 2/2014 Pelo D4/122

* cited by examiner

Primary Examiner — Austin Murphy

(57) **CLAIM**

The ornamental design for a brush head, as shown and described.

DESCRIPTION

FIG. 1 is a front, left side perspective view of the brush head of my design showing different fills on the bristles indicating different color bristles;

FIG. 2 is a front elevation view of the brush head of my design showing different fills on the bristles indicating different color bristles.

FIG. 3 is a rear elevation view of the brush head of my design showing different fills on the bristles indicating different color bristles.

FIG. 4 is a top view of the brush head of my design.

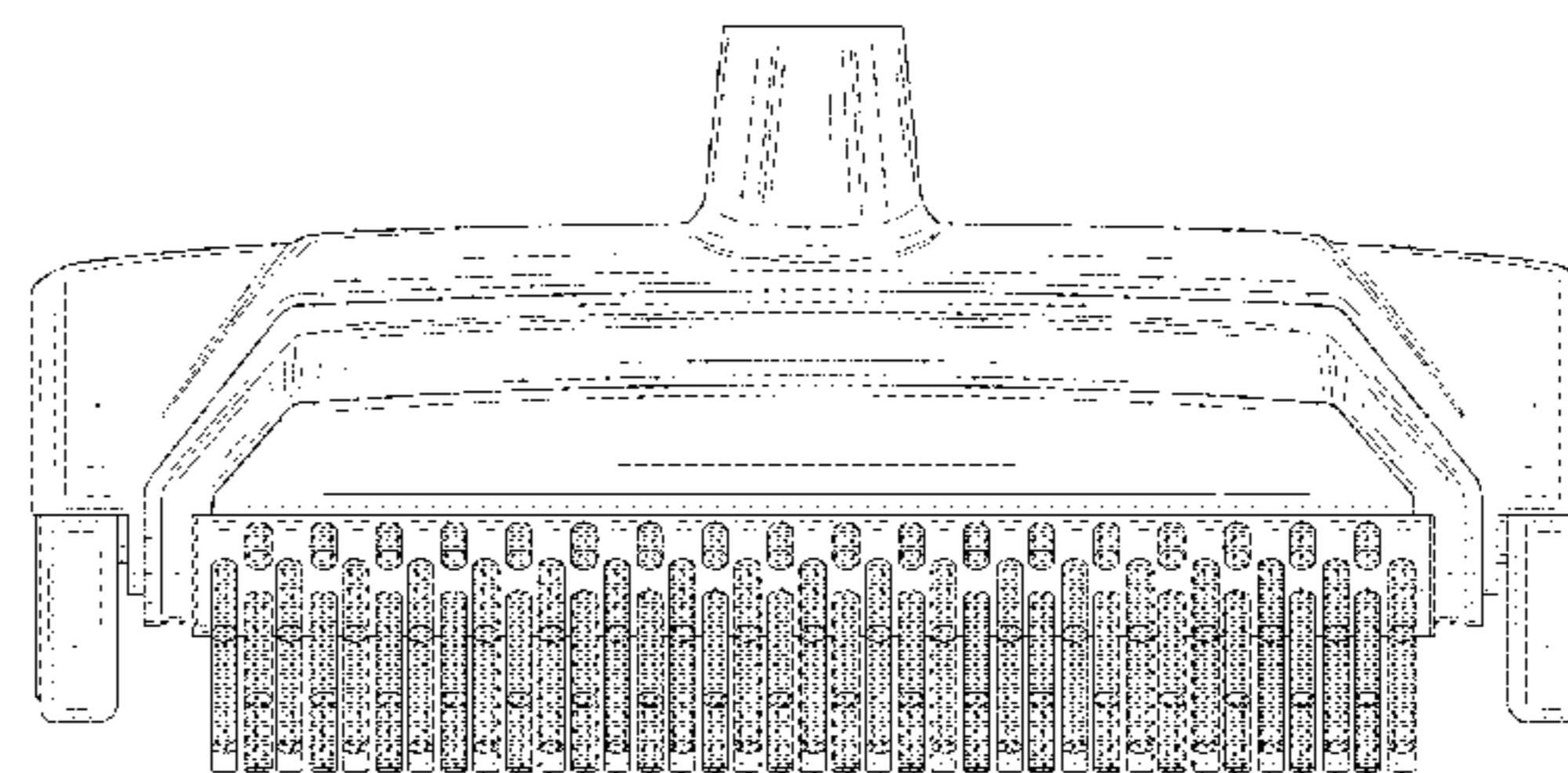
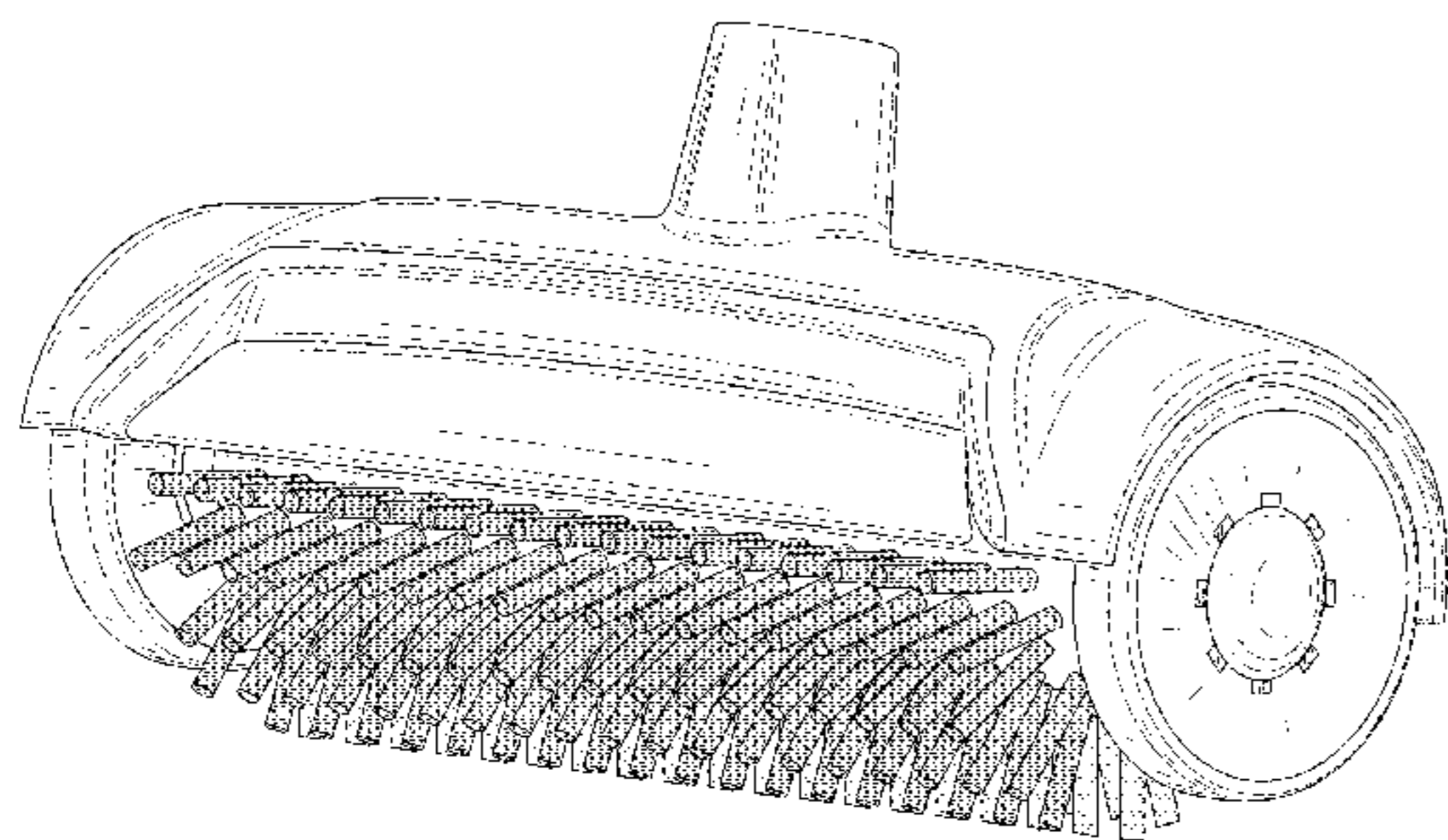
FIG. 5 is a bottom view of the brush head of my design showing different fills on the bristles indicating different color bristles.

FIG. 6 is a right side view of the brush head of my design showing different fills on the bristles indicating different color bristles.

FIG. 7 is a left side view of the brush head of my design showing different fills on the bristles indicating different color bristles; and,

FIG. 8 is an environmental view of the brush head of my design with an extended handle in broken lines and showing different fills on the bristles indicating different color bristles.

1 Claim, 7 Drawing Sheets



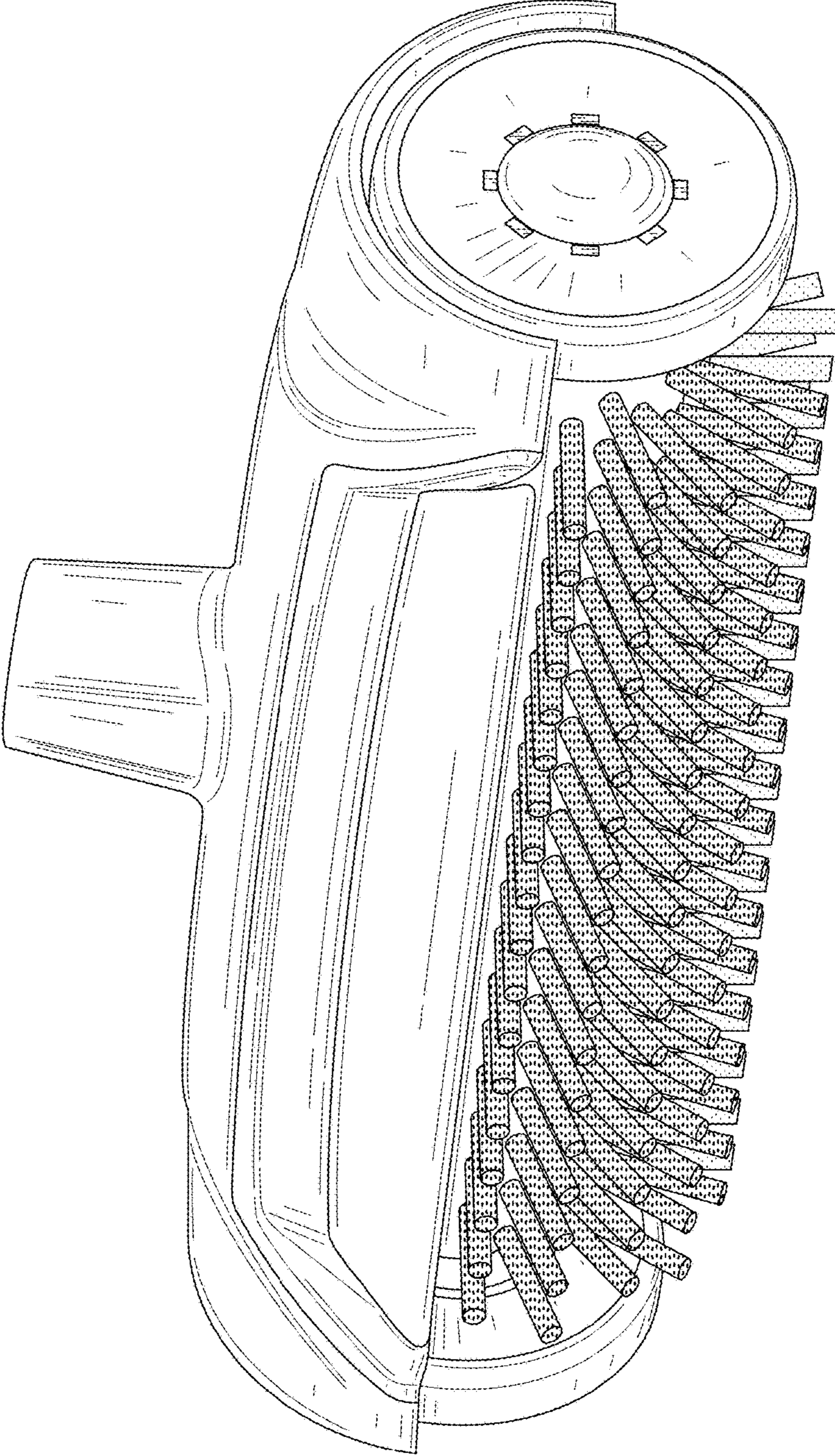


FIG. 1

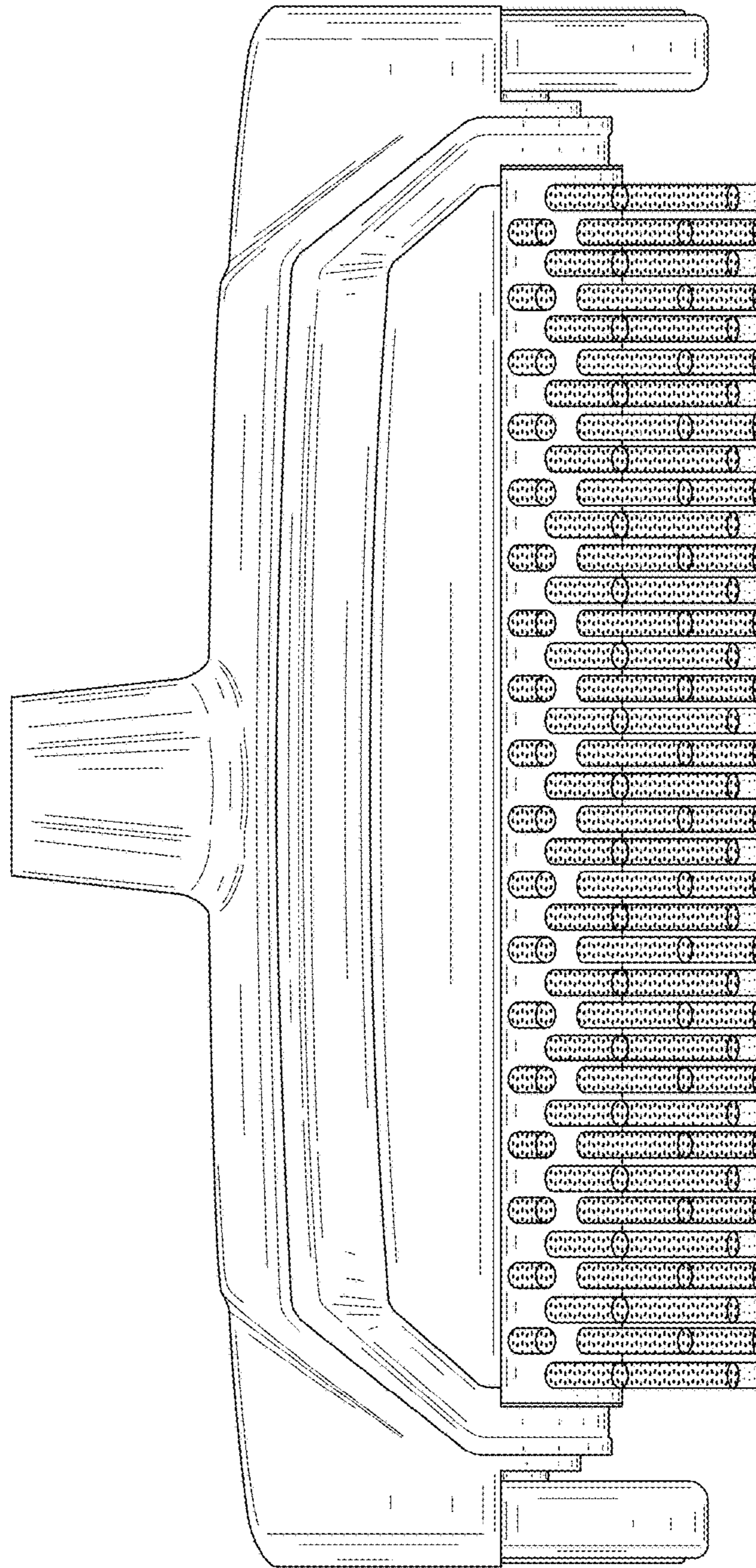


FIG. 2

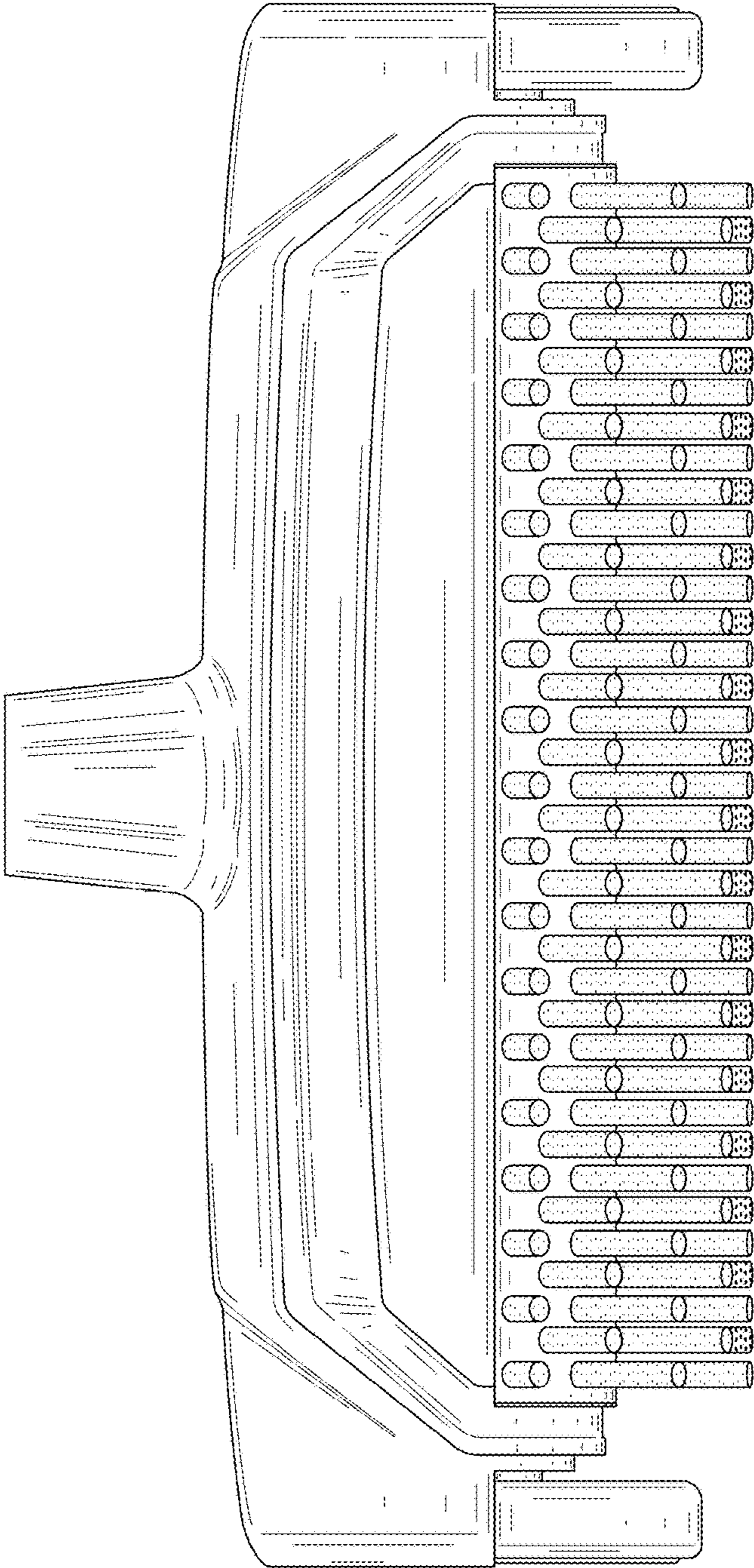


FIG. 3

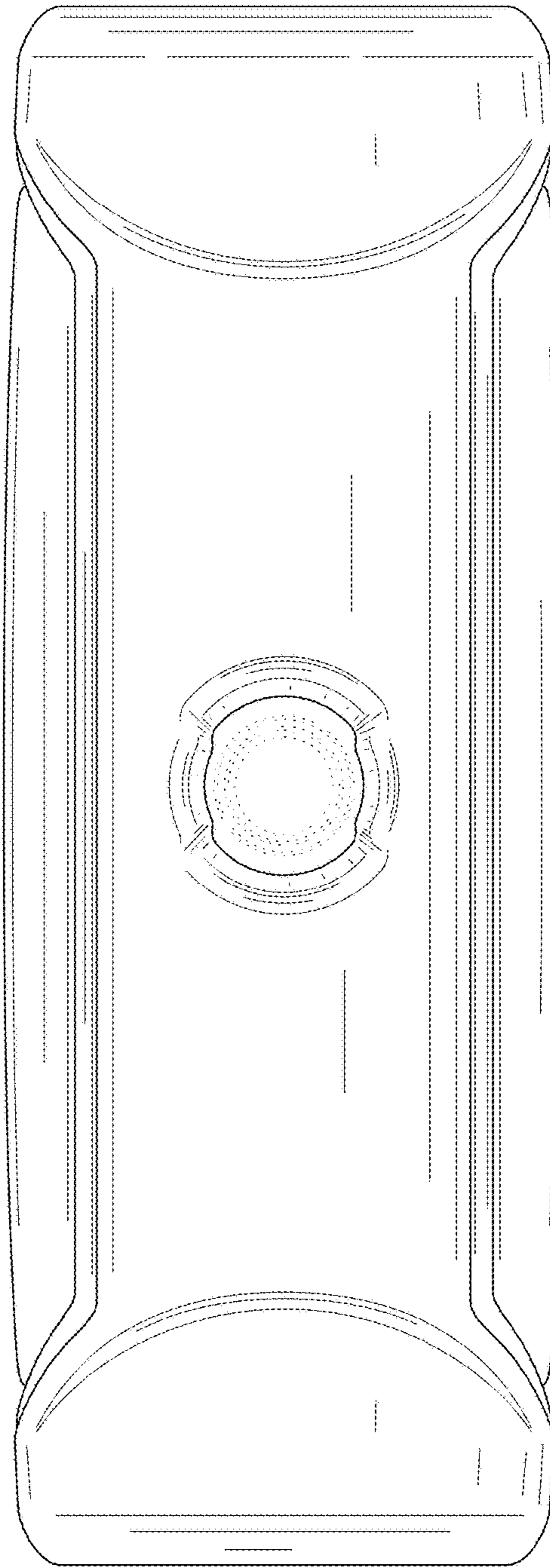


FIG. 4

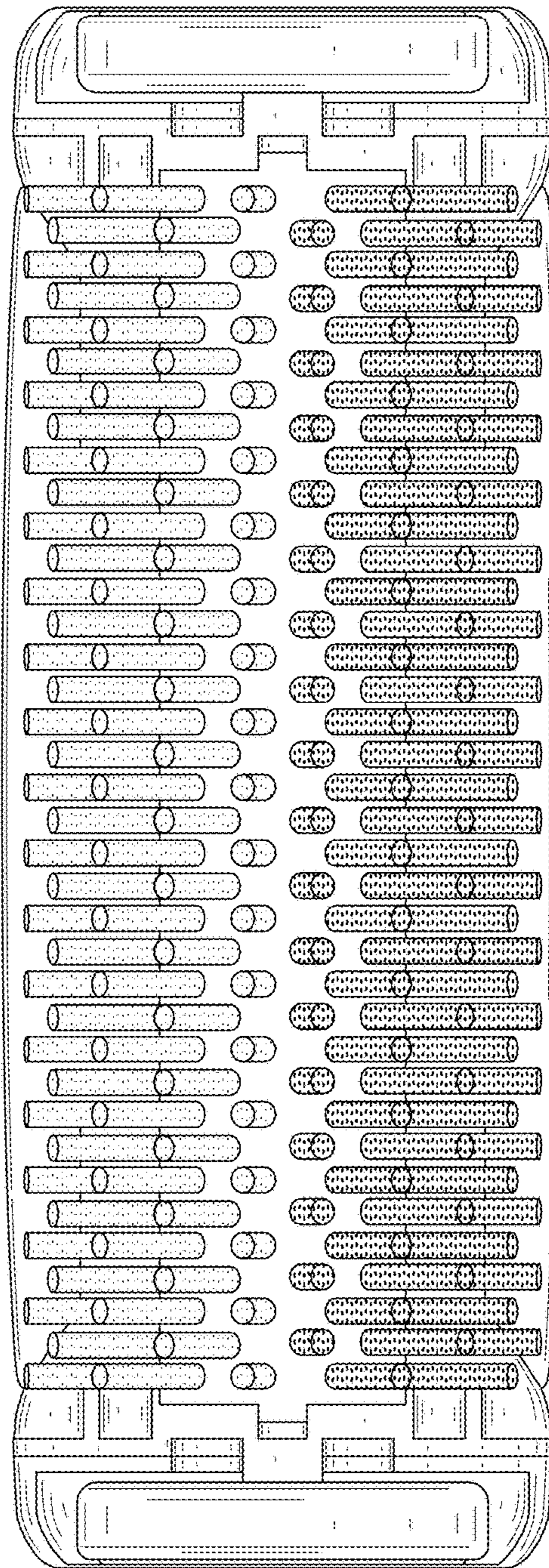


FIG. 5

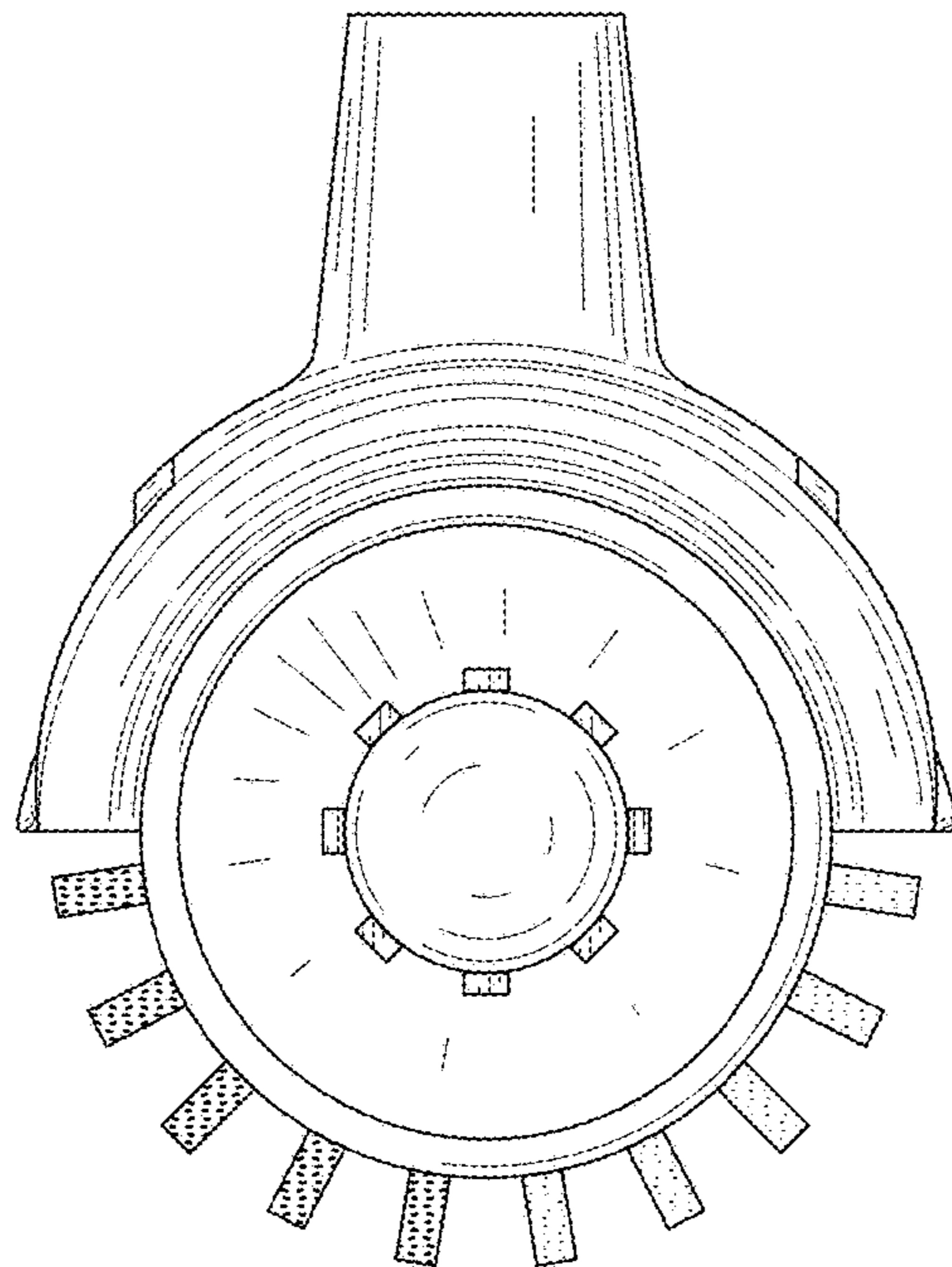


FIG. 6

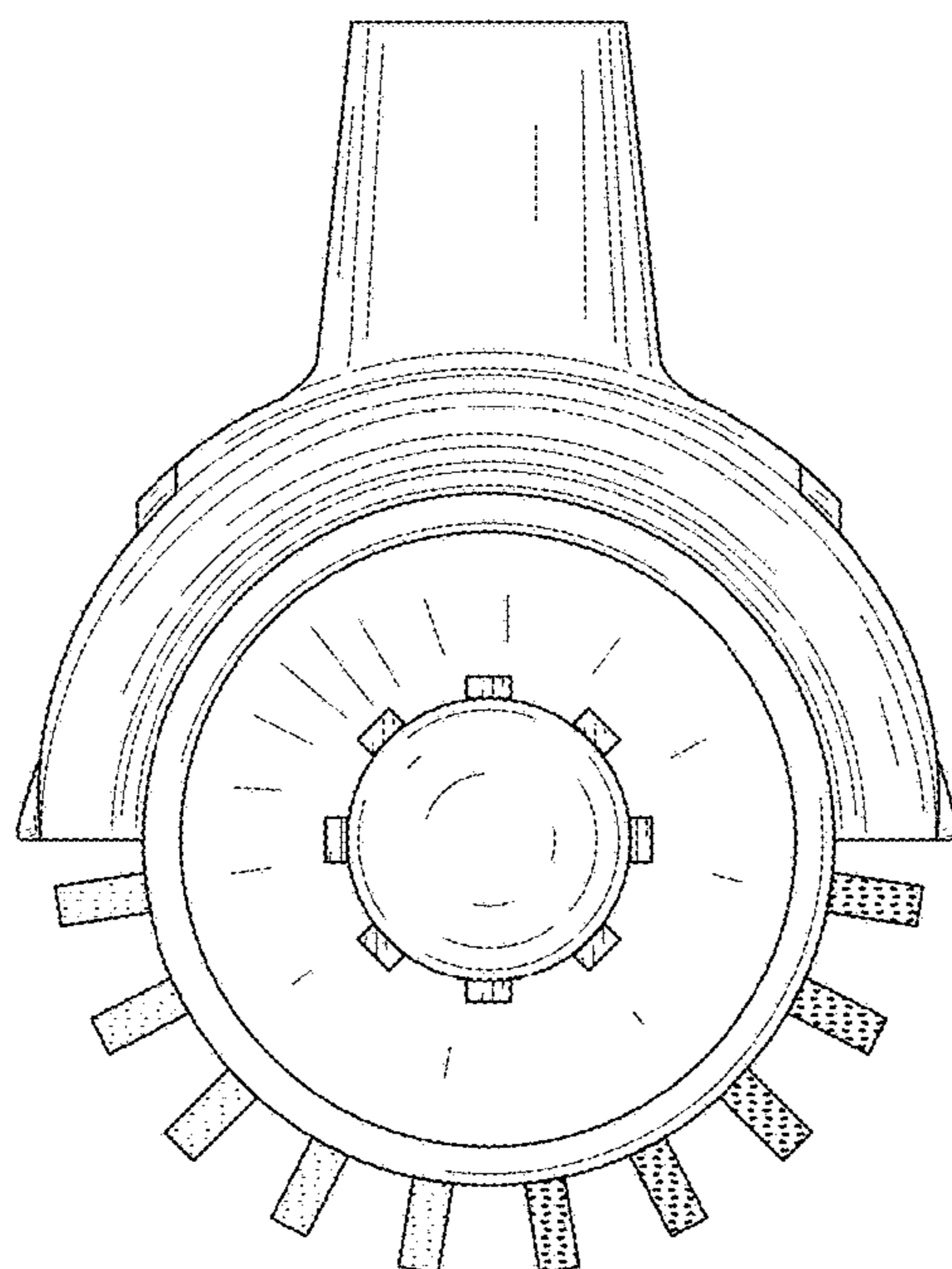


FIG. 7

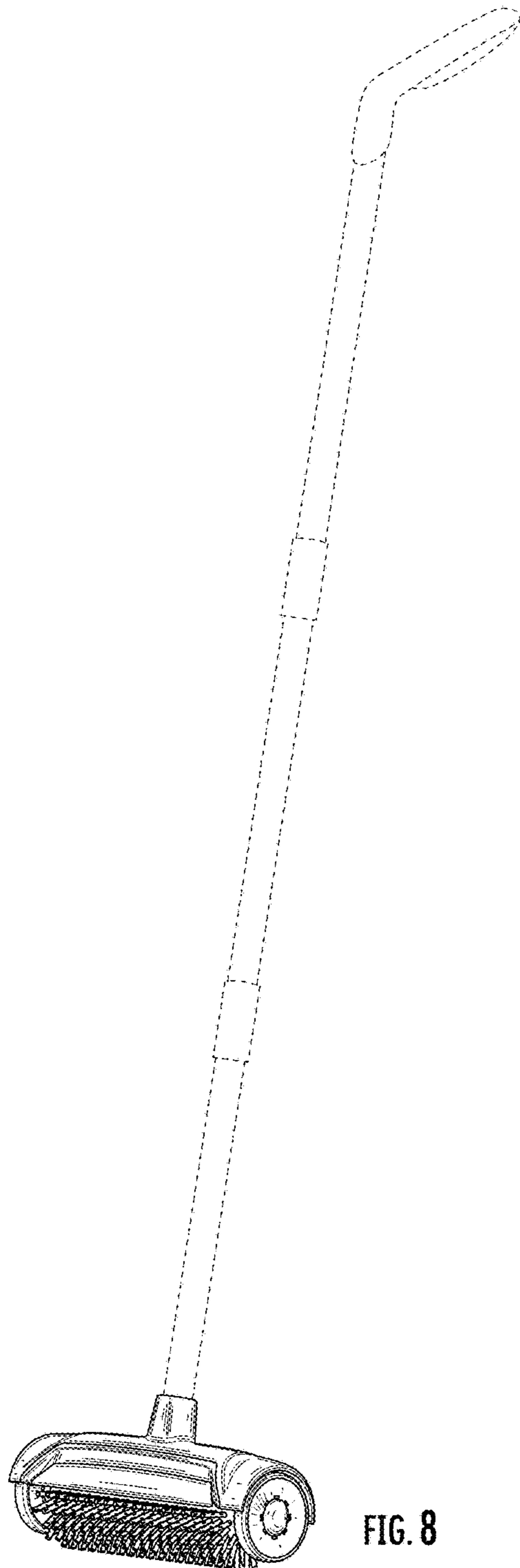


FIG. 8