



US00D839601S

(12) **United States Design Patent**
Fang

(10) **Patent No.:** **US D839,601 S**
(45) **Date of Patent:** **** Feb. 5, 2019**

- (54) **FACIAL BRUSH WITH BRUSH HEAD COVER**
- (71) Applicant: **SHENZHEN COSBEAUTY CO., LTD**, Nanshan, Shenzhen (CN)
- (72) Inventor: **Ziran Fang**, Shenzhen (CN)
- (73) Assignee: **SHENZHEN COSBEAUTY CO., LTD**, Shenzhen (CN)
- (**) Term: **15 Years**
- (21) Appl. No.: **29/570,181**
- (22) Filed: **Jul. 6, 2016**
- (51) **LOC (11) Cl.** **04-02**
- (52) **U.S. Cl.**
USPC **D4/102**
- (58) **Field of Classification Search**
USPC D4/100, 102, 109, 110, 111, 113, 121, D4/127, 128, 130, 131, 132, 133, 134,
(Continued)

(56) **References Cited**

U.S. PATENT DOCUMENTS

- D601,803 S * 10/2009 Reishus D4/102
 - D621,347 S * 8/2010 Aulwes D13/108
- (Continued)

FOREIGN PATENT DOCUMENTS

- CN 301929100 * 5/2012
 - CN 301943684 * 5/2012
- (Continued)

Primary Examiner — Karen E Eldridge Powers

(74) *Attorney, Agent, or Firm* — Johnson | Dalal; Mark C. Johnson

(57) **CLAIM**

The ornamental design for a facial brush with brush head cover, as shown and described.

DESCRIPTION

FIG. 1 is a perspective view of a facial brush with brush head cover disposed within an exemplary base in accordance with the present invention;

FIG. 2 is an elevational front view of the facial brush with brush head cover and base of FIG. 1;
 FIG. 3 is an elevational rear view of the facial brush with brush head cover and base of FIG. 1;
 FIG. 4 is a top plan view of the facial brush with brush head cover and base of FIG. 1;
 FIG. 5 is a bottom plan view of the facial brush with brush head cover and base of FIG. 1;
 FIG. 6 is an elevational front view of the facial brush with brush head cover of FIG. 1 uncoupled with the base of FIG. 1 in accordance with the present invention shown separately for clarity of illustration;
 FIG. 7 is an elevational rear view of the facial brush with brush head cover of FIG. 6 uncoupled with the base in accordance with the present invention shown separately for clarity of illustration;
 FIG. 8 is an elevational left side view of the facial brush of FIG. 6 uncoupled with the base in accordance with the present invention shown separately for clarity of illustration;
 FIG. 9 is an elevational right side view of the facial brush of FIG. 6 uncoupled with the base in accordance with the present invention shown separately for clarity of illustration;
 FIG. 10 is a perspective view of the facial brush of FIG. 6 uncoupled with the base in accordance with the present invention shown separately for clarity of illustration;
 FIG. 11 is a top plan view of the facial brush of FIG. 6 uncoupled with the base in accordance with the present invention shown separately for clarity of illustration;
 FIG. 12 is a bottom plan view of the facial brush of FIG. 6 uncoupled with the base in accordance with the present invention shown separately for clarity of illustration;
 FIG. 13 is an elevational front view of the exemplary base of FIG. 1 uncoupled with the facial brush of FIG. 1 in accordance with the present invention shown separately for clarity of illustration;
 FIG. 14 is an elevational rear view of the exemplary base of FIG. 1 uncoupled with the facial brush of FIG. 1 in accordance with the present invention shown separately for clarity of illustration;
 FIG. 15 is an elevational left side view of the exemplary base of FIG. 1 uncoupled with the facial brush of FIG. 1 in accordance with the present invention shown separately for clarity of illustration;

(Continued)

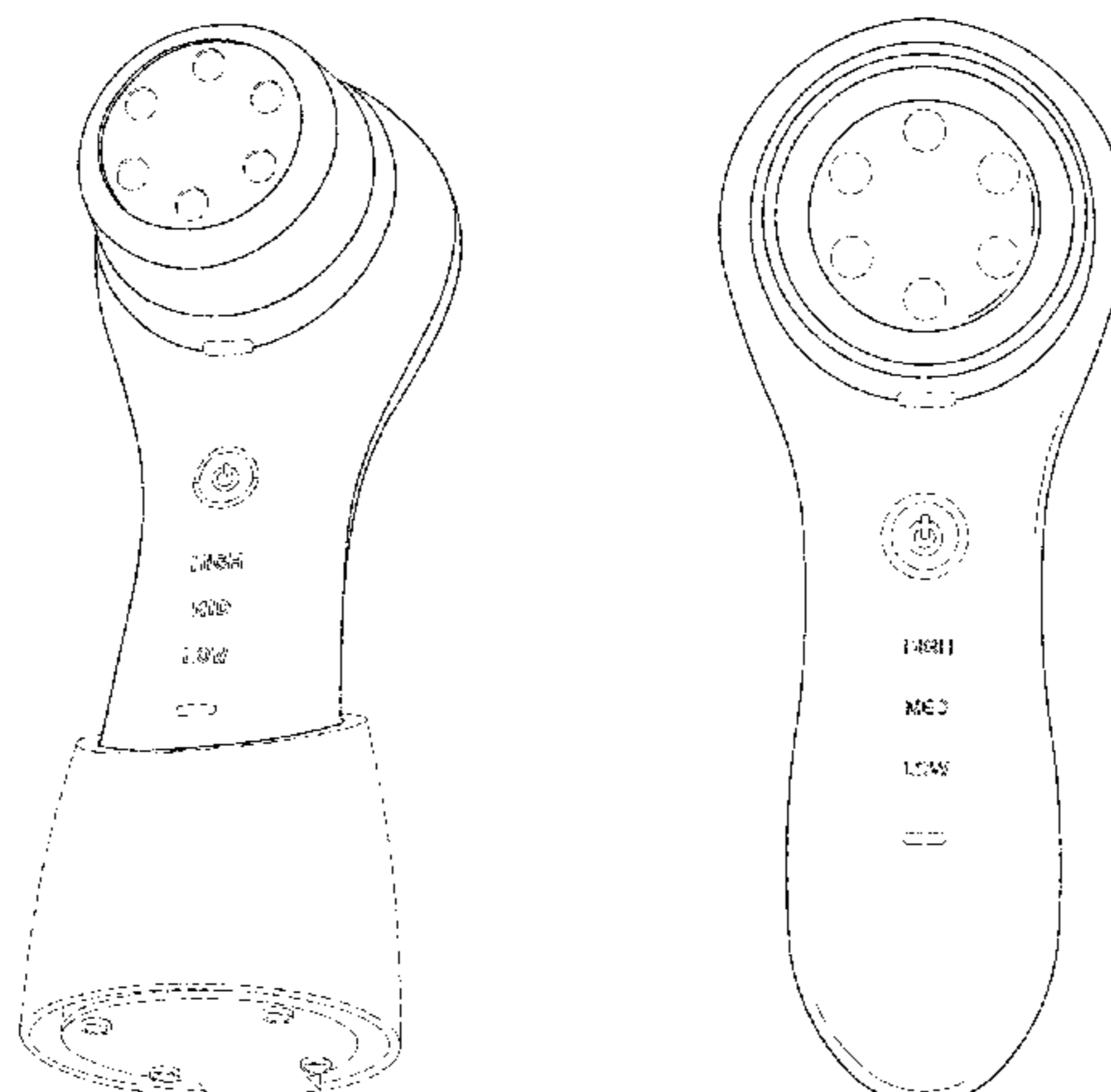


FIG. 16 is an elevational right side view of the exemplary base of FIG. 1 uncoupled with the facial brush of FIG. 1 in accordance with the present invention shown separately for clarity of illustration;

FIG. 17 is a downward-looking perspective view of the exemplary base of FIG. 1 uncoupled with the facial brush of FIG. 1 in accordance with the present invention shown separately for clarity of illustration;

FIG. 18 is a top plan view of the exemplary base of FIG. 1 uncoupled with the facial brush of FIG. 1 in accordance with the present invention shown separately for clarity of illustration; and,

FIG. 19 is a bottom plan view of the exemplary base of FIG. 1 uncoupled with the facial brush of FIG. 1 in accordance with the present invention shown separately for clarity of illustration.

The broken or dashed lines showing connection ports, buttons, or apertures of the facial brush with brush head cover, and the base which may be coupled thereto, depicts environment and/or components of the device that form no part of the claimed design.

1 Claim, 14 Drawing Sheets

(58) **Field of Classification Search**

USPC D4/138, 199; D24/211, 212, 213, 214,
D24/215; D28/63; D30/158, 159;
D32/40, 43
CPC . A46B 13/02; A46B 5/0095; A46B 2200/102;
A46B 5/02; A46B 7/08; A46B 13/00;
A61H 7/005; A61H 7/002; A47K 7/00

See application file for complete search history.

(56)

References Cited

U.S. PATENT DOCUMENTS

D679,502	S	*	4/2013	Itano	D4/102
D683,139	S	*	5/2013	Chikos	D4/102
D693,932	S	*	11/2013	Nichols	D24/214
D715,554	S	*	10/2014	Hosler	D4/102
D715,555	S	*	10/2014	Hosler	D4/102
D735,945	S	*	8/2015	Reishus	D28/73
D736,399	S	*	8/2015	Nichols	D24/214
D742,647	S	*	11/2015	Hosler	D4/102
D753,400	S	*	4/2016	Khoun	D4/102
D764,173	S	*	8/2016	Nichols	D4/102
9,655,480	B2	*	5/2017	Fang	A47K 7/043
9,681,782	B2	*	6/2017	McCauley	A47K 7/043
D803,572	S	*	11/2017	Nichols	D4/102
2013/0046212	A1	*	2/2013	Nichols	A46B 7/04 601/18
2016/0120375	A1	*	5/2016	Philips	A47K 7/043 15/22.1
2017/0202732	A1	*	7/2017	Nichols	A61H 23/02

FOREIGN PATENT DOCUMENTS

CN	302181367	*	11/2012
CN	302283515	*	1/2013
CN	302507541	*	7/2013
CN	302754675	*	3/2014
CN	303173779	*	4/2014
CN	303046471	*	12/2014
CN	303184420	*	4/2015
CN	303370917	*	9/2015
CN	303445220	*	11/2015
EM	002467241-0001	*	9/2014

* cited by examiner

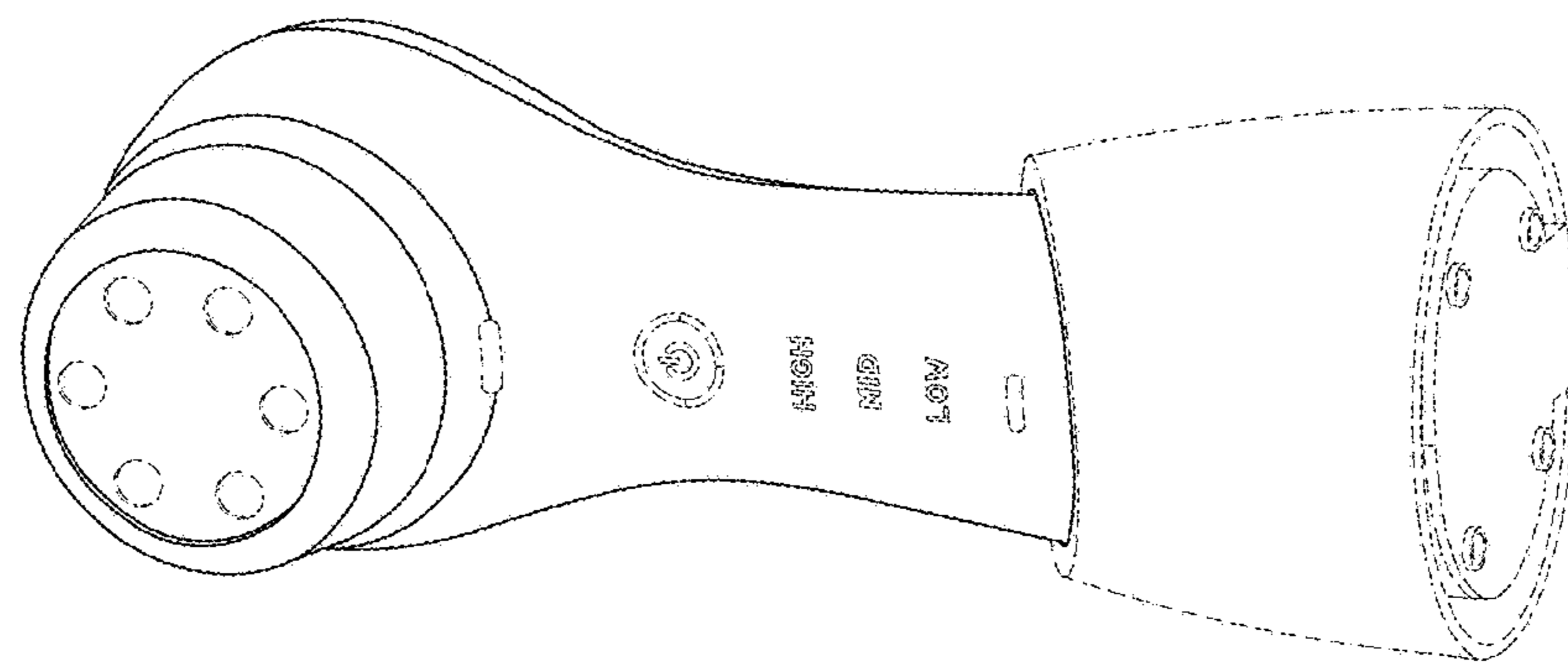


FIG.1

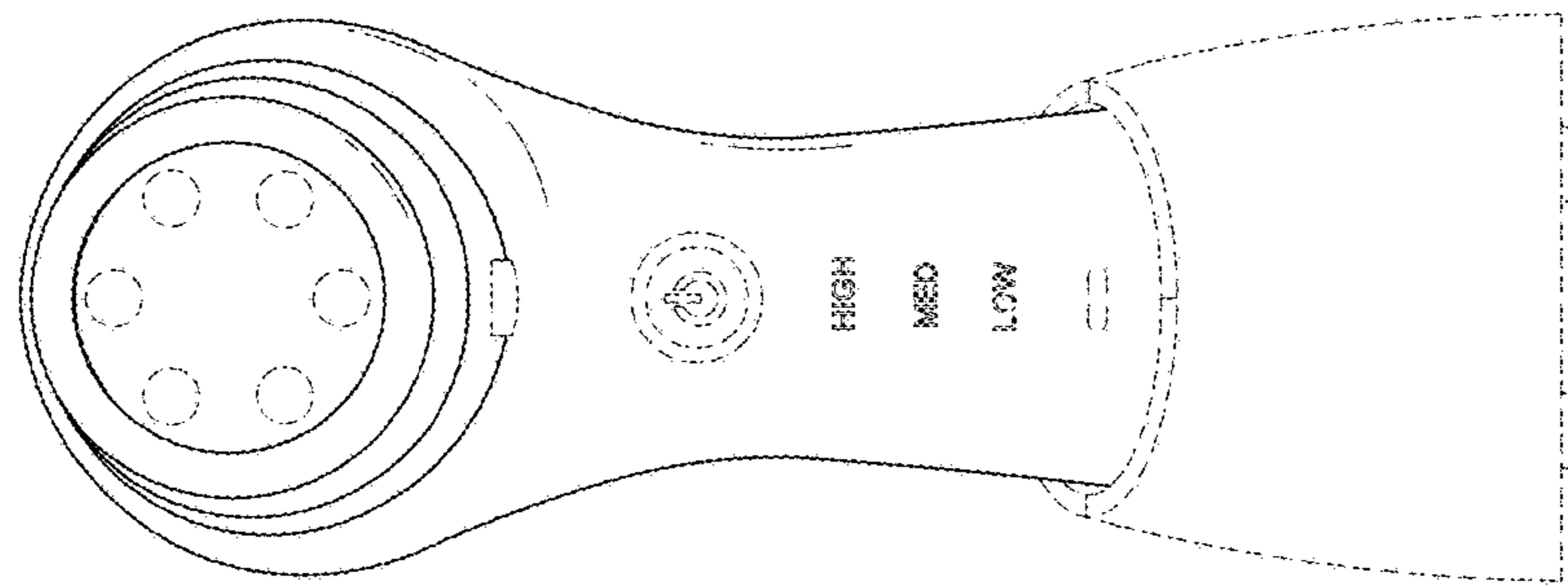


FIG.2

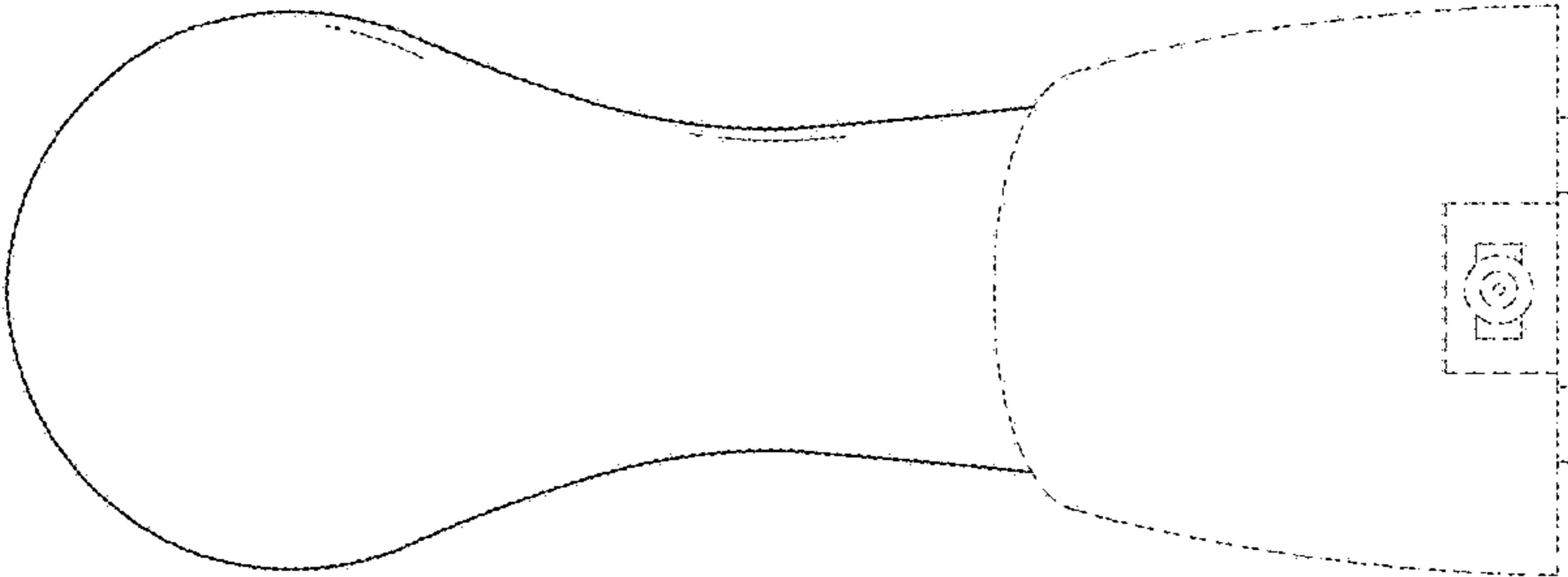


FIG.3

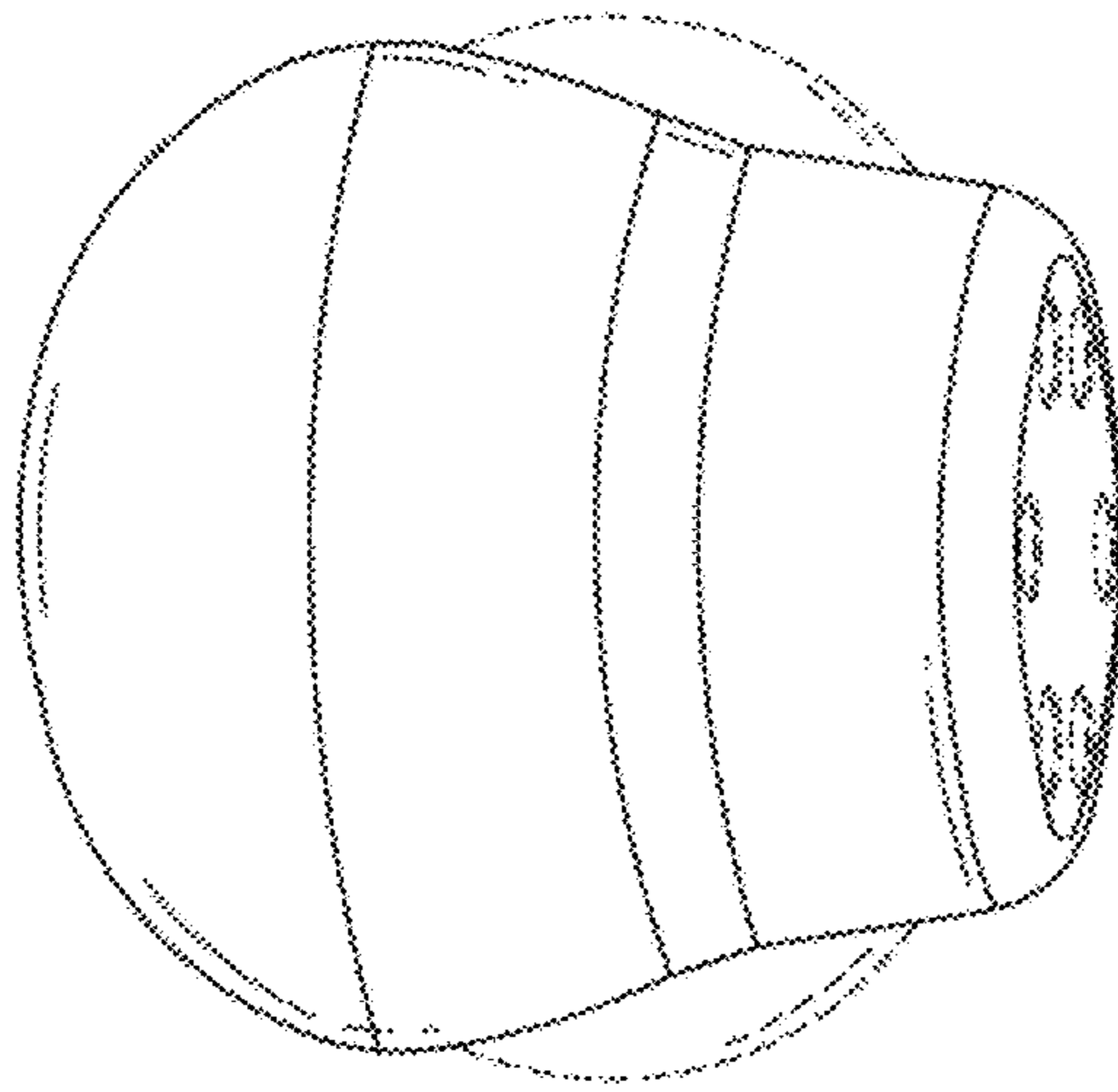


FIG. 4

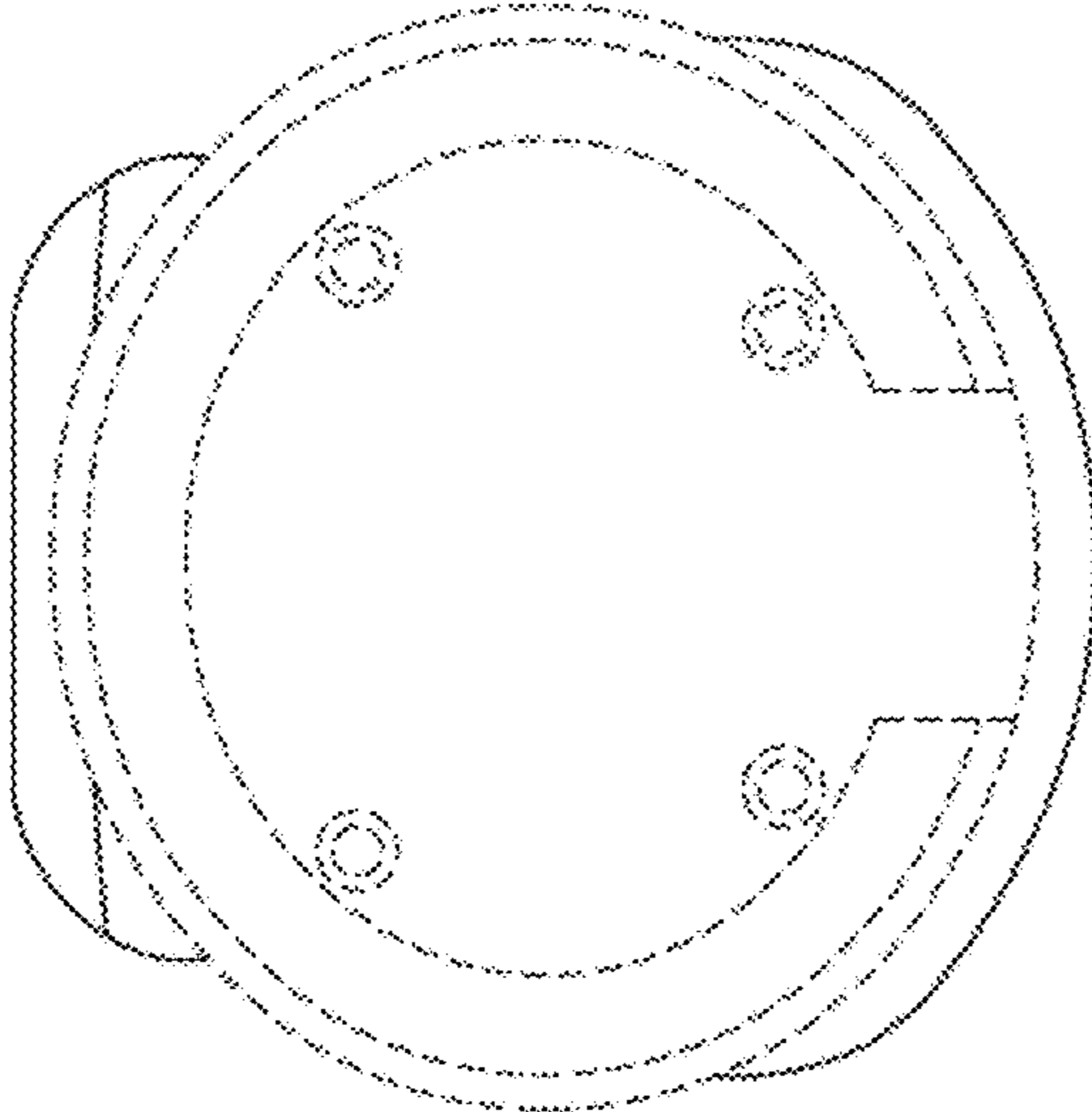


FIG. 5

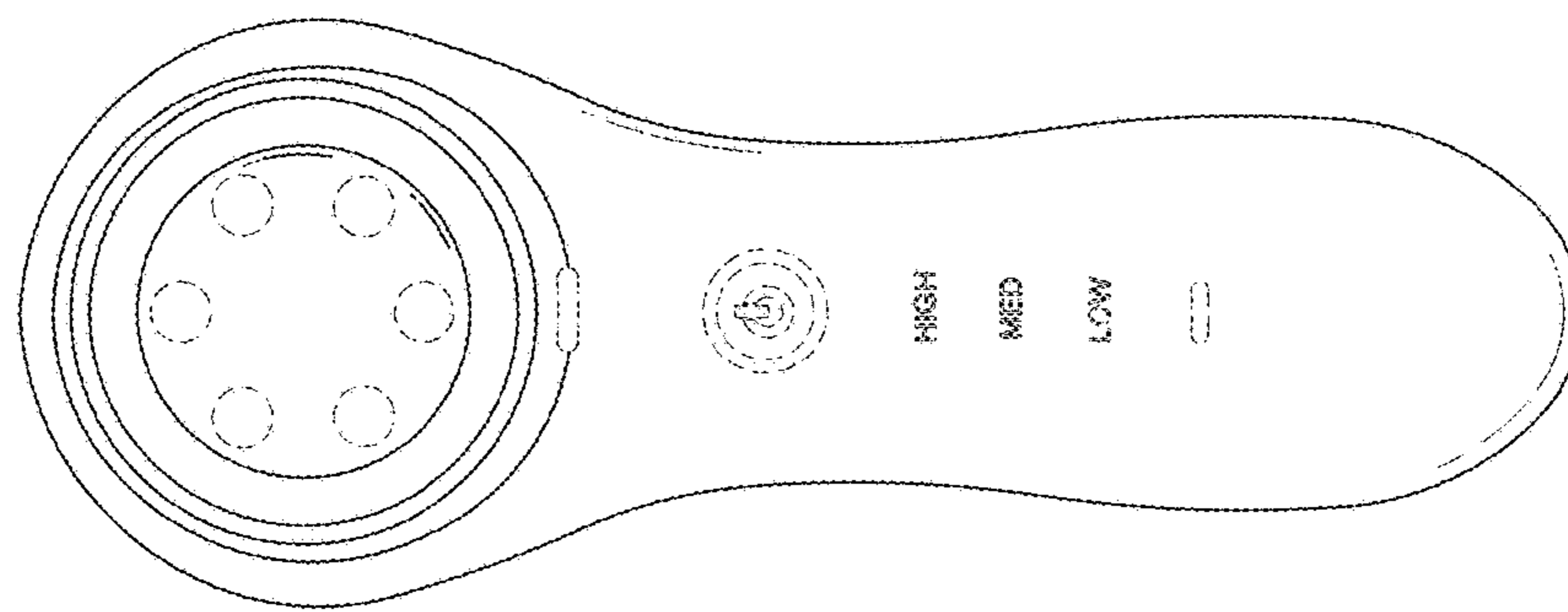


FIG.6

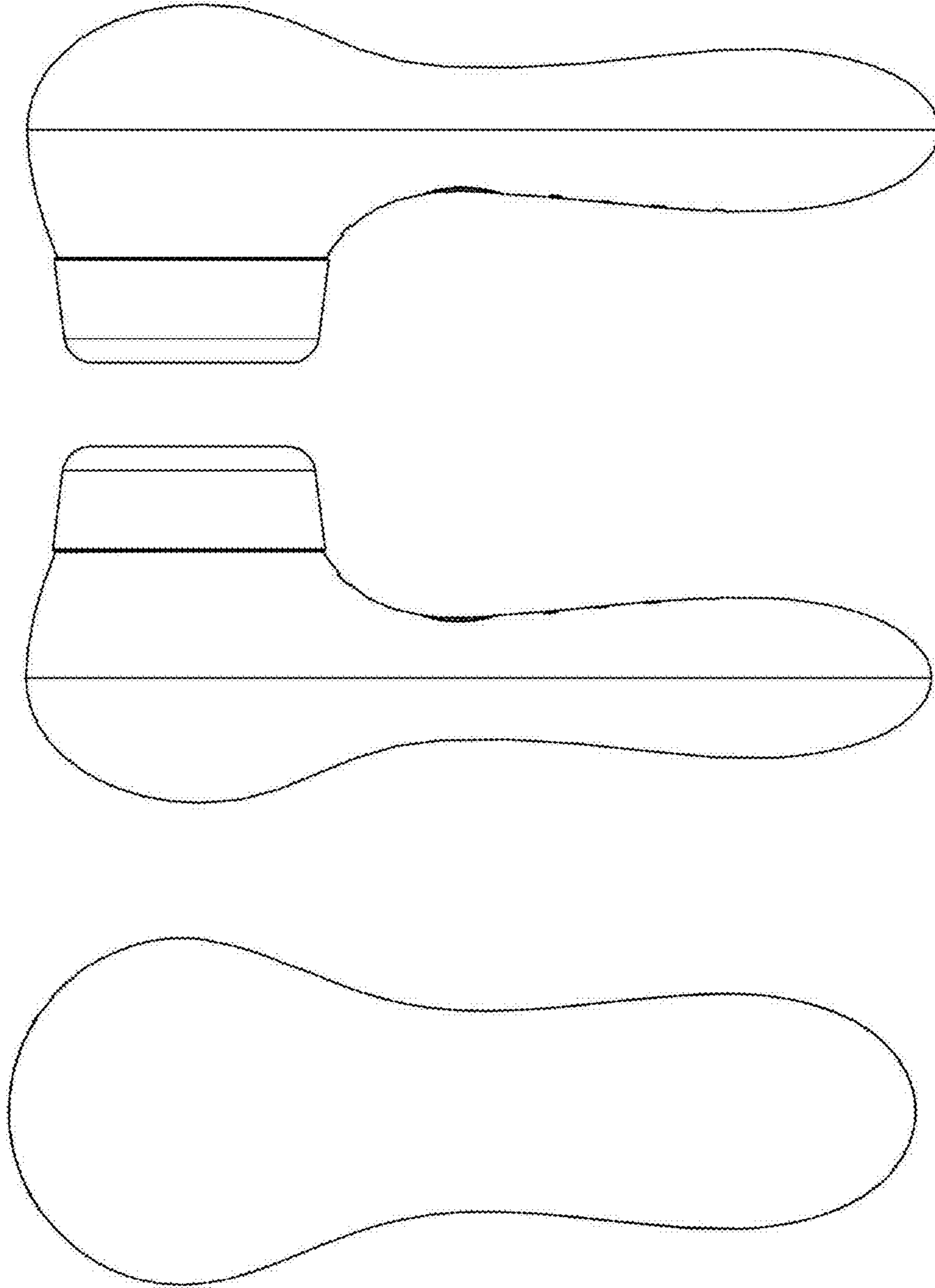


FIG. 9

FIG. 8

FIG. 7

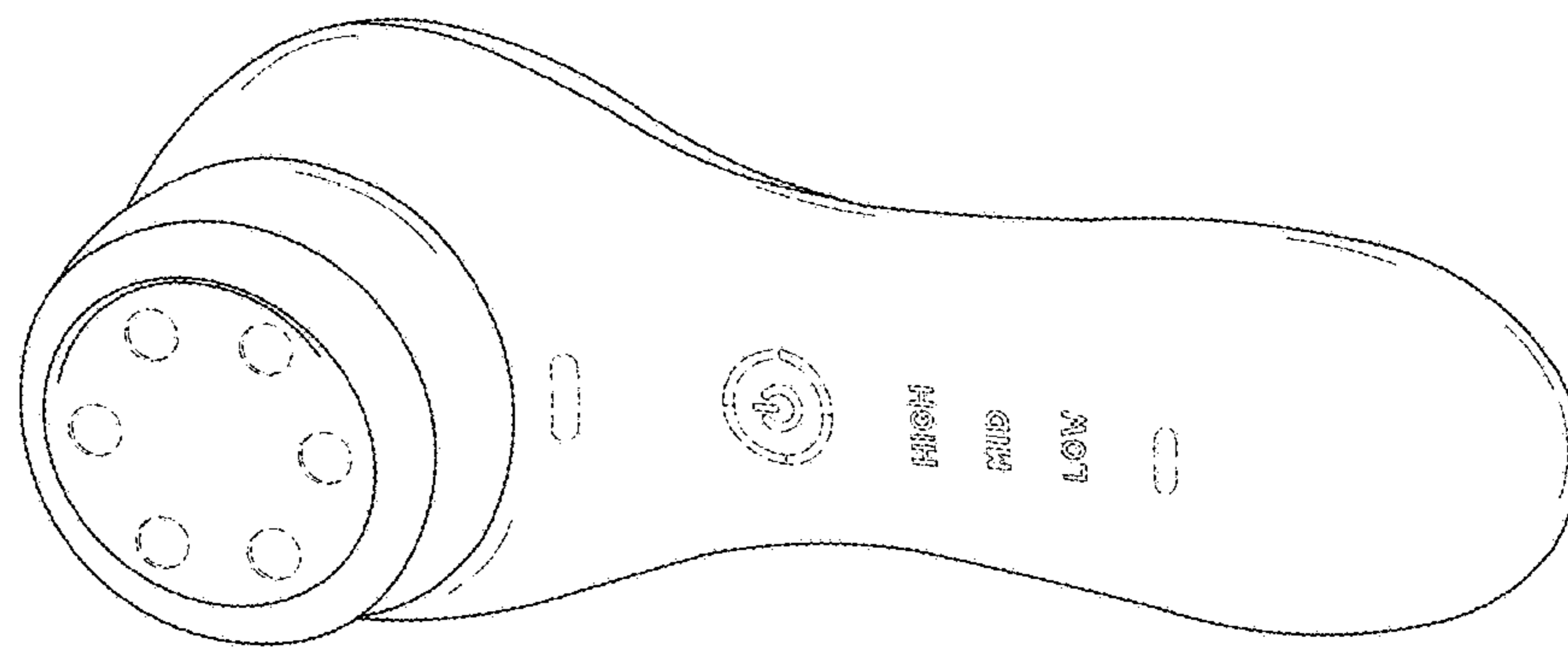


FIG.10

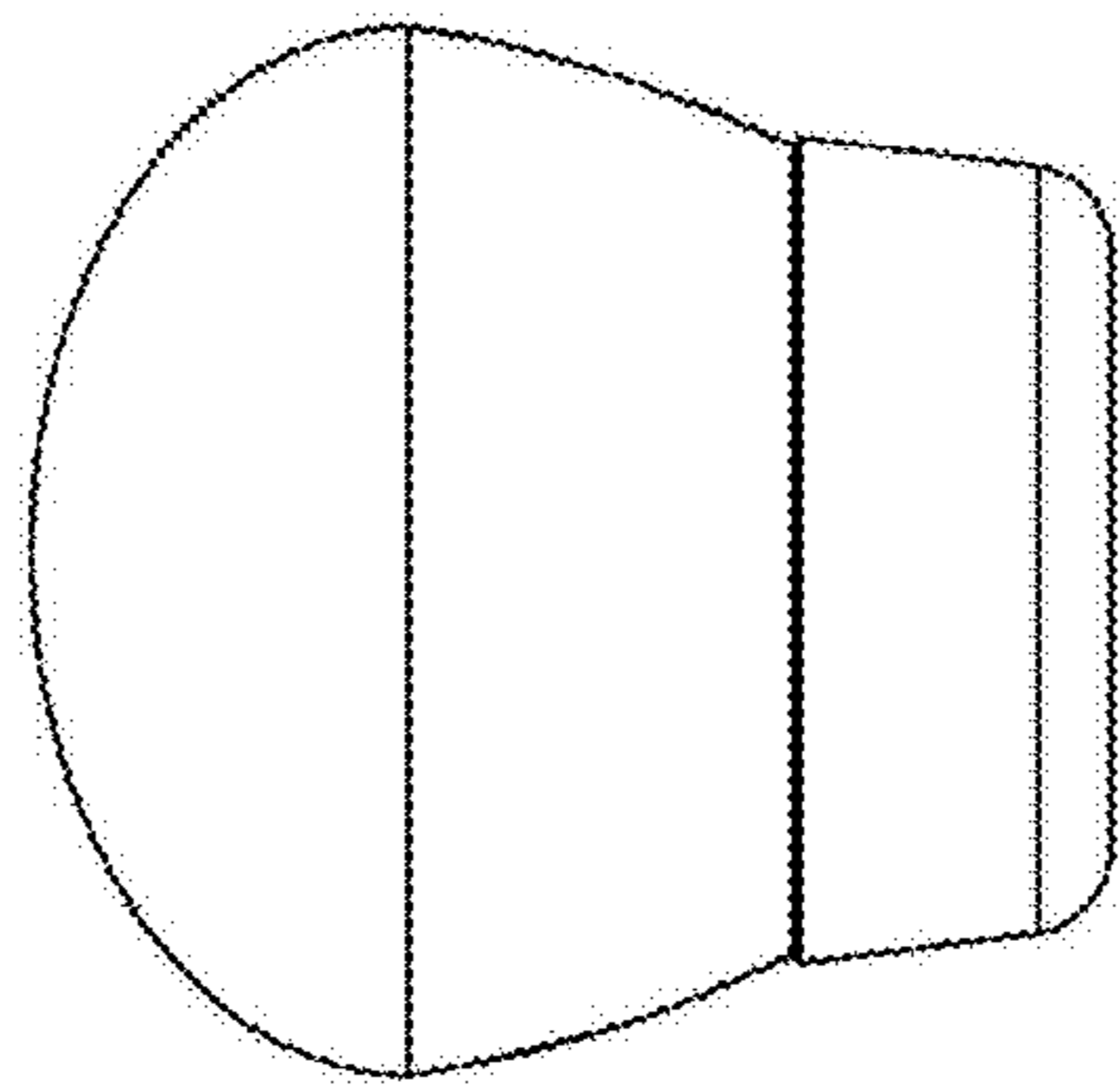


FIG. 11

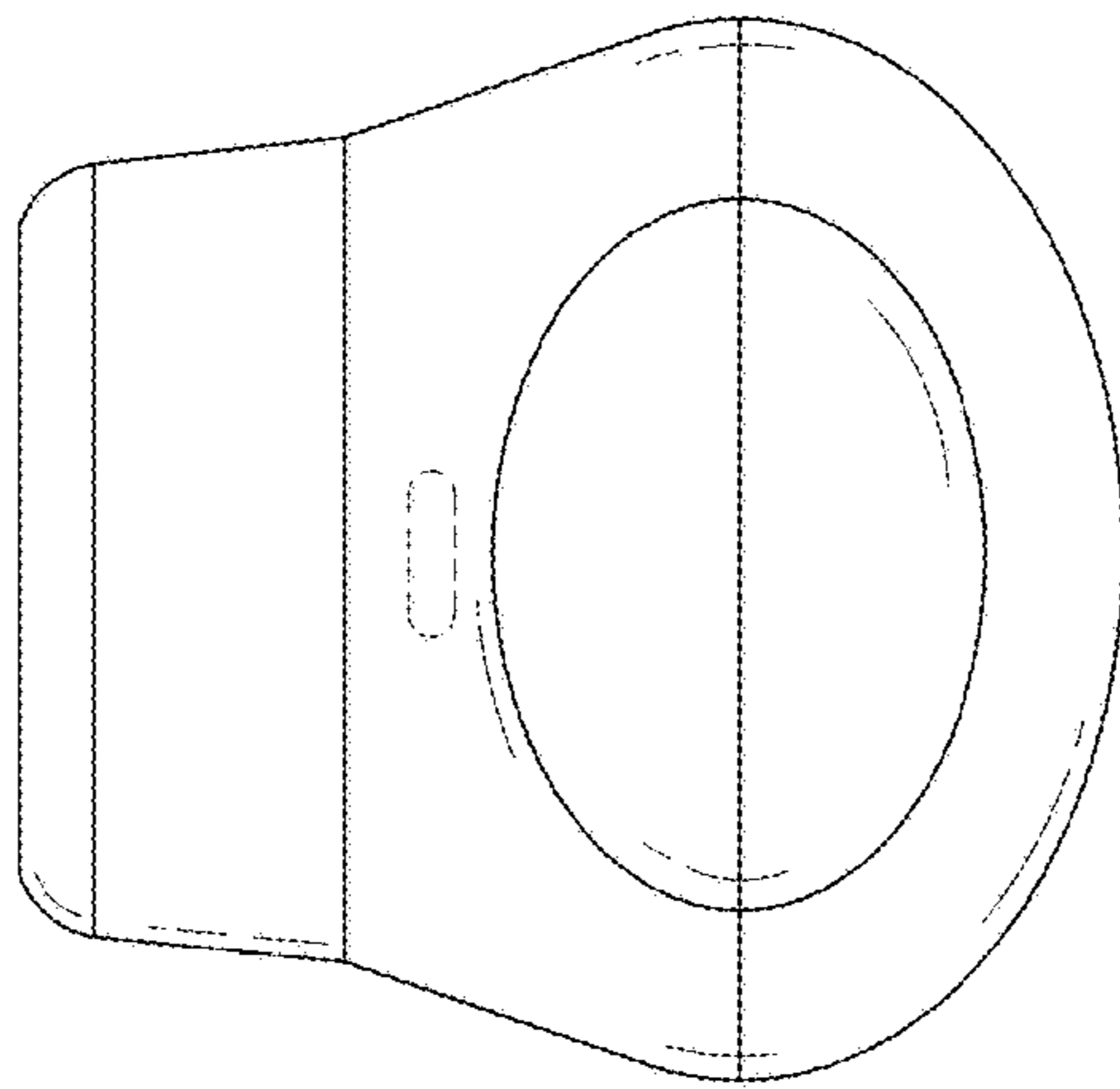


FIG.12

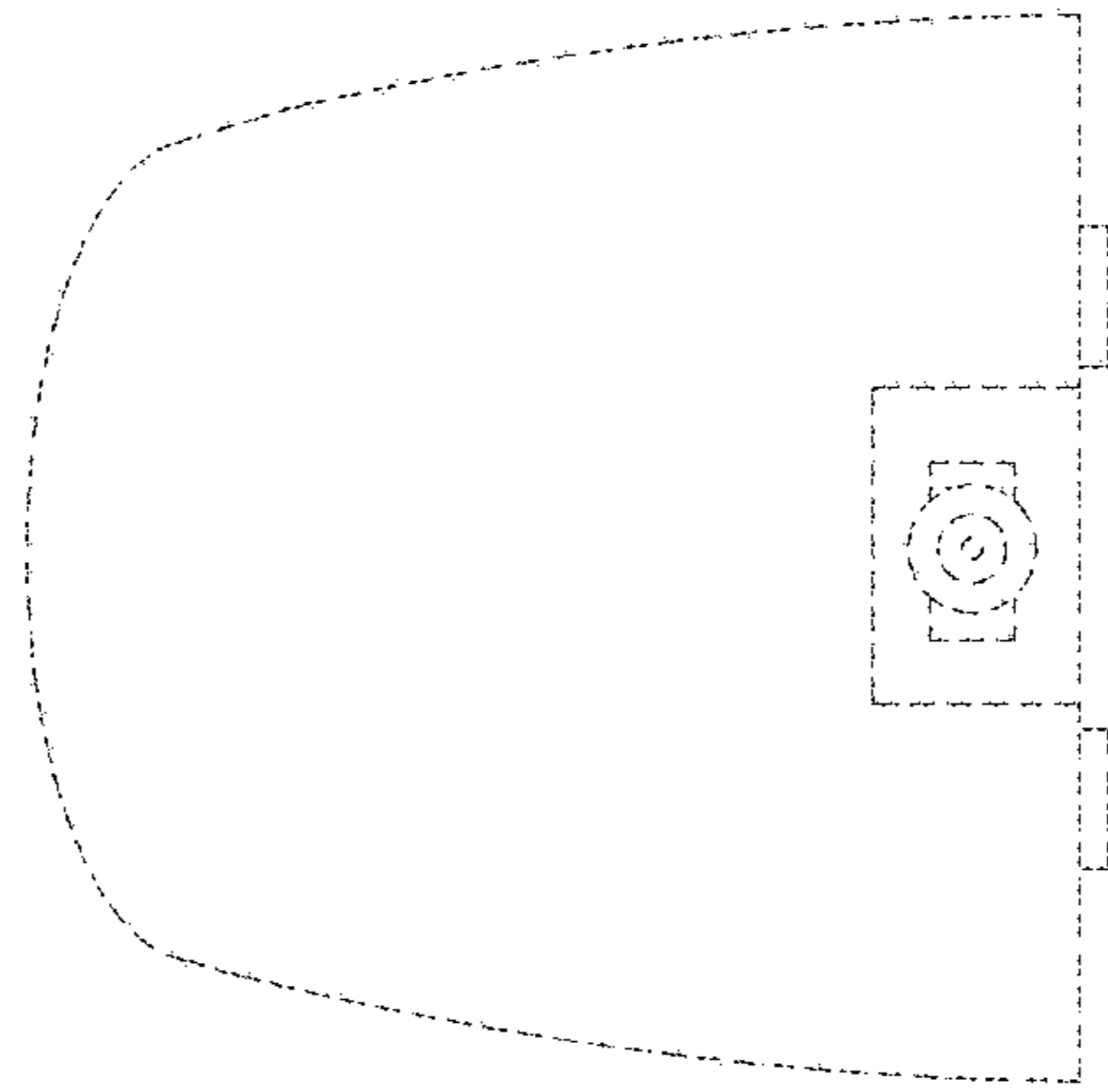


FIG.13

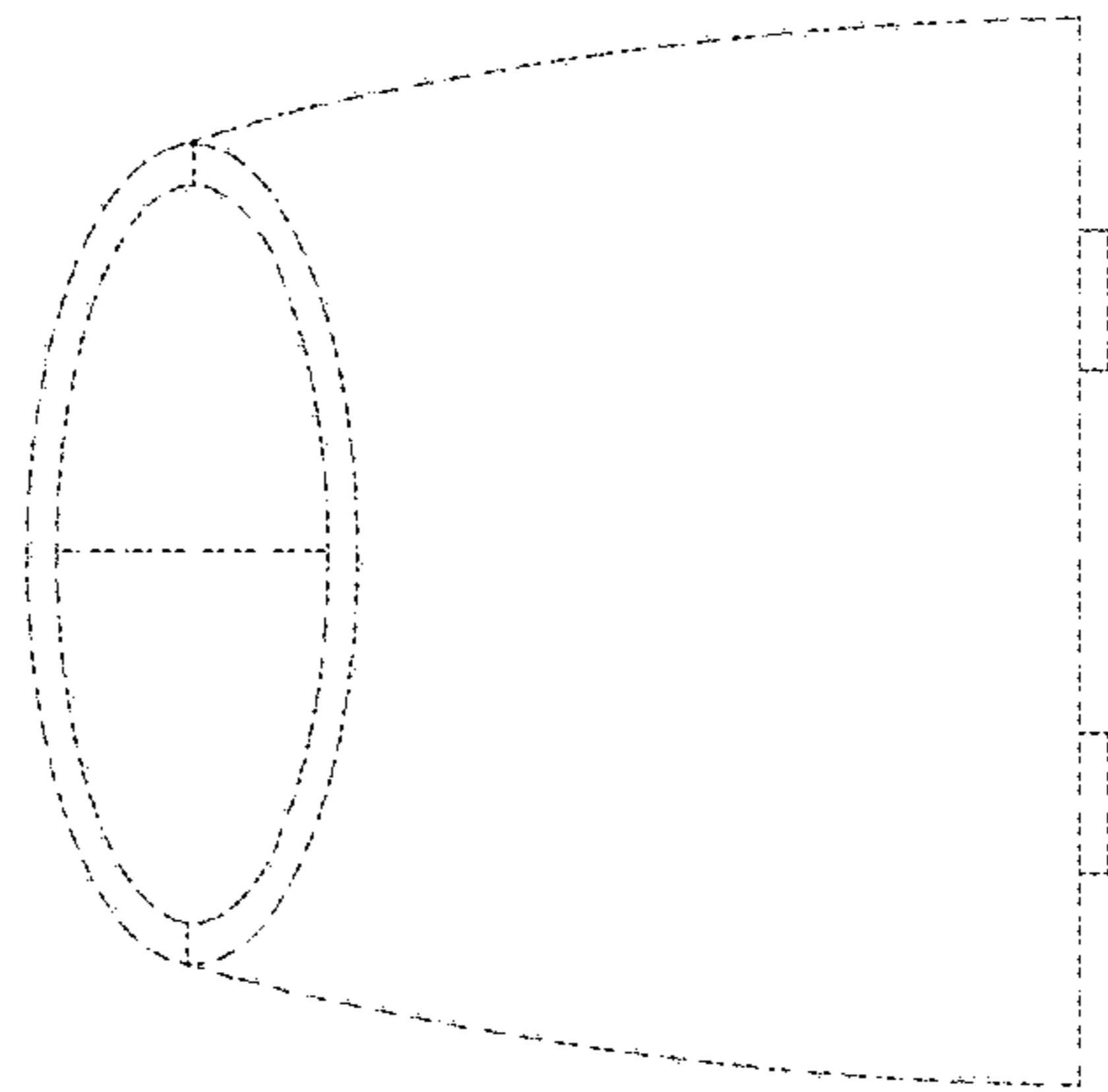


FIG.14

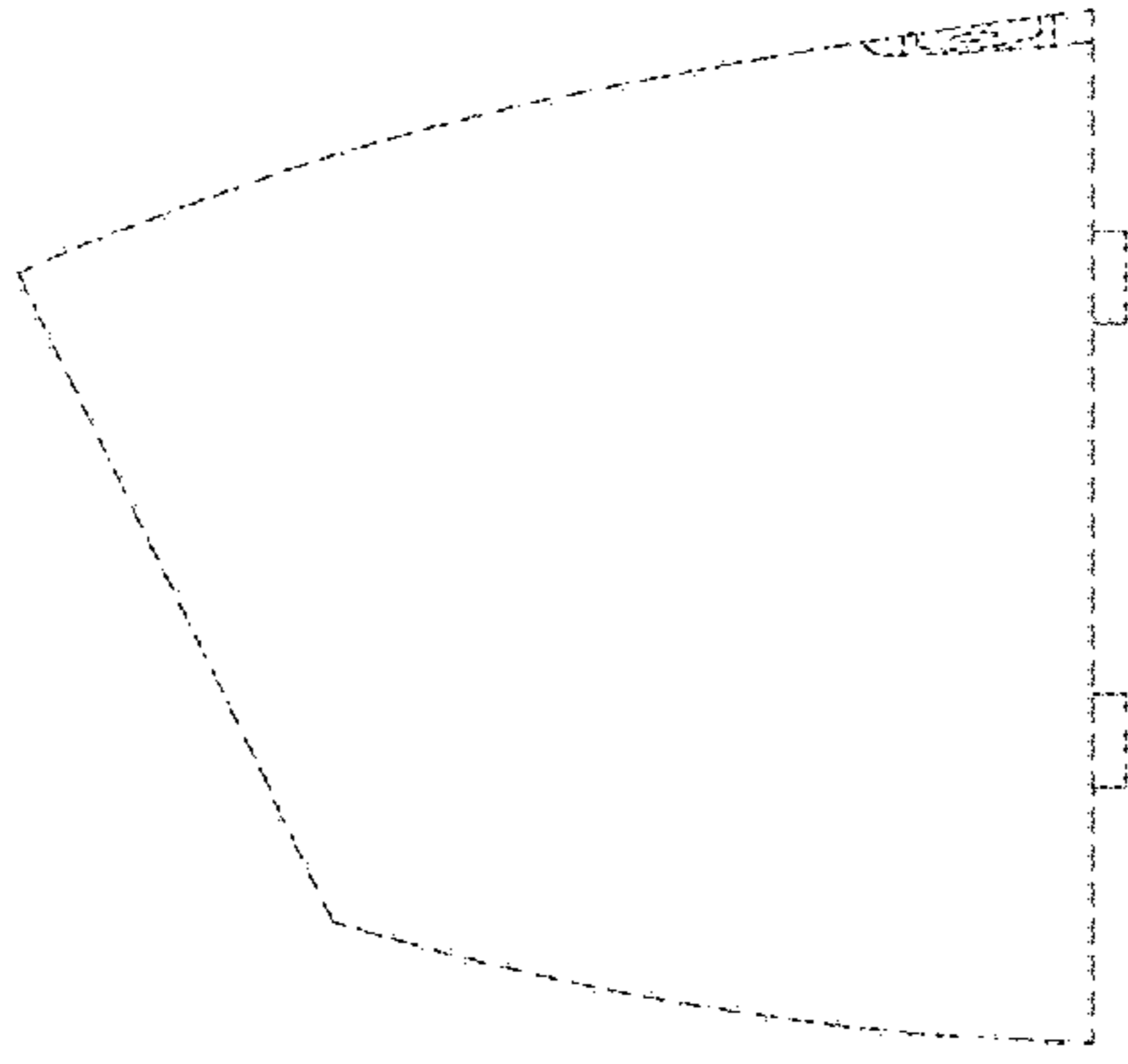


FIG.16

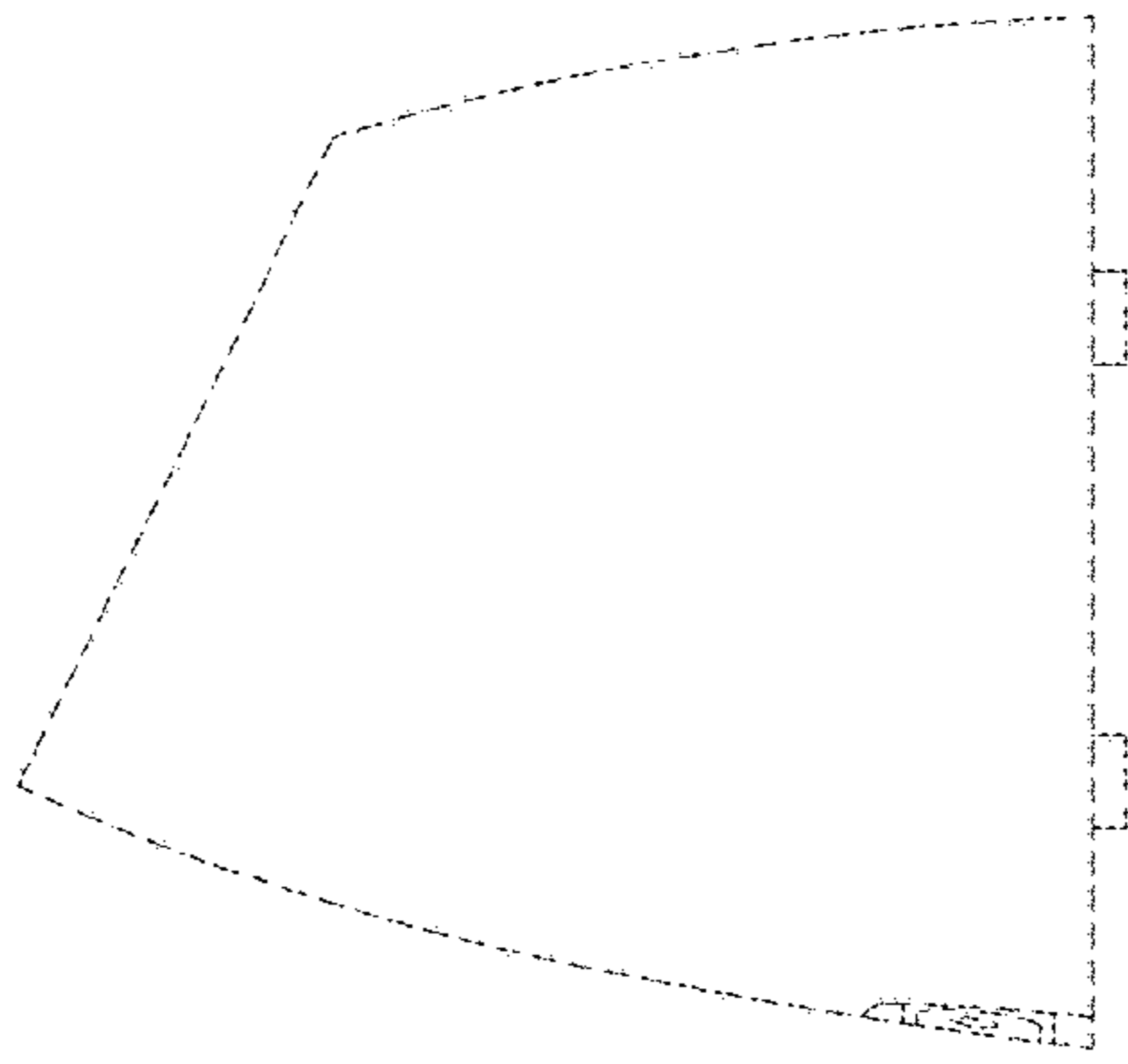


FIG.15

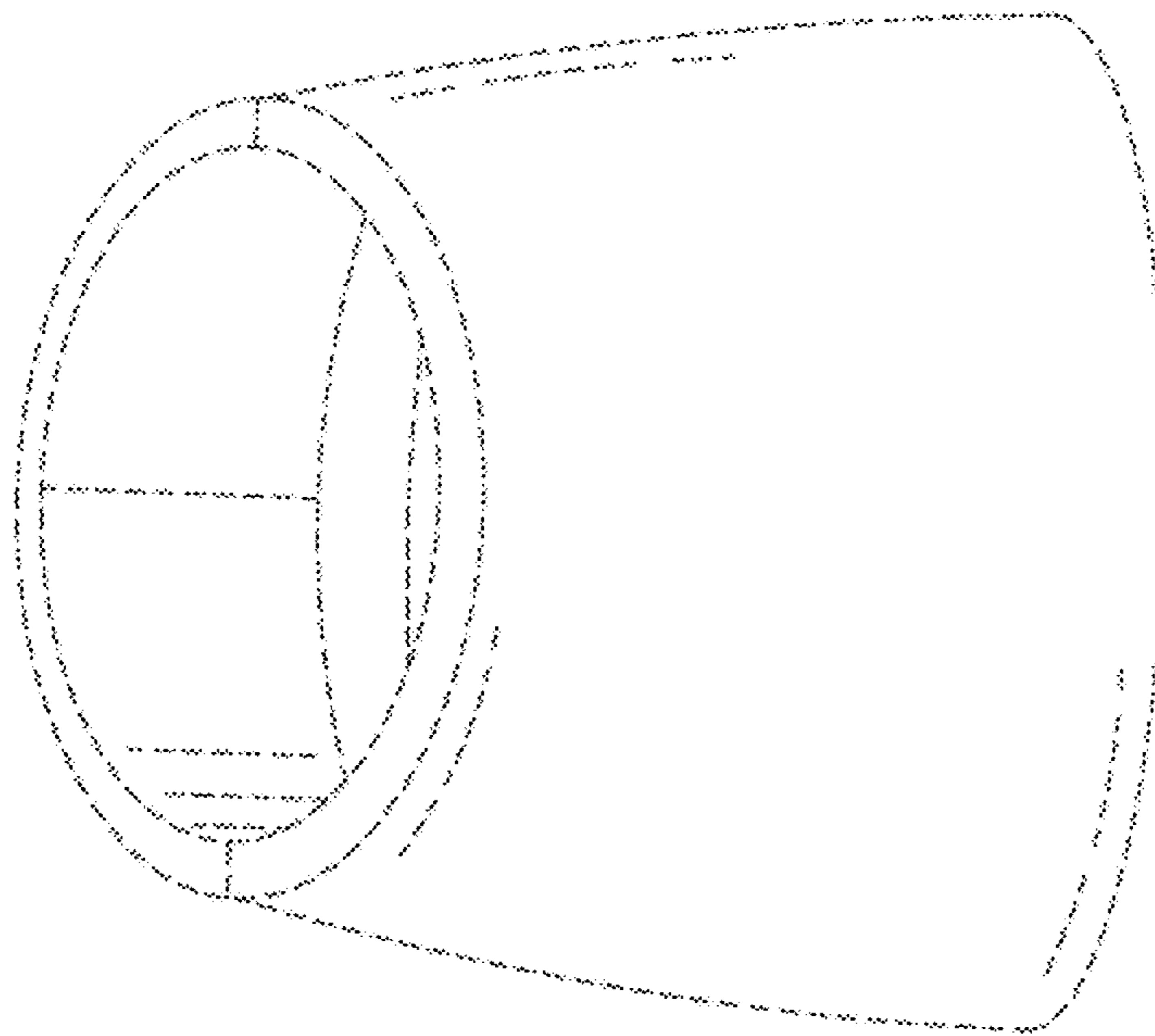


FIG. 17

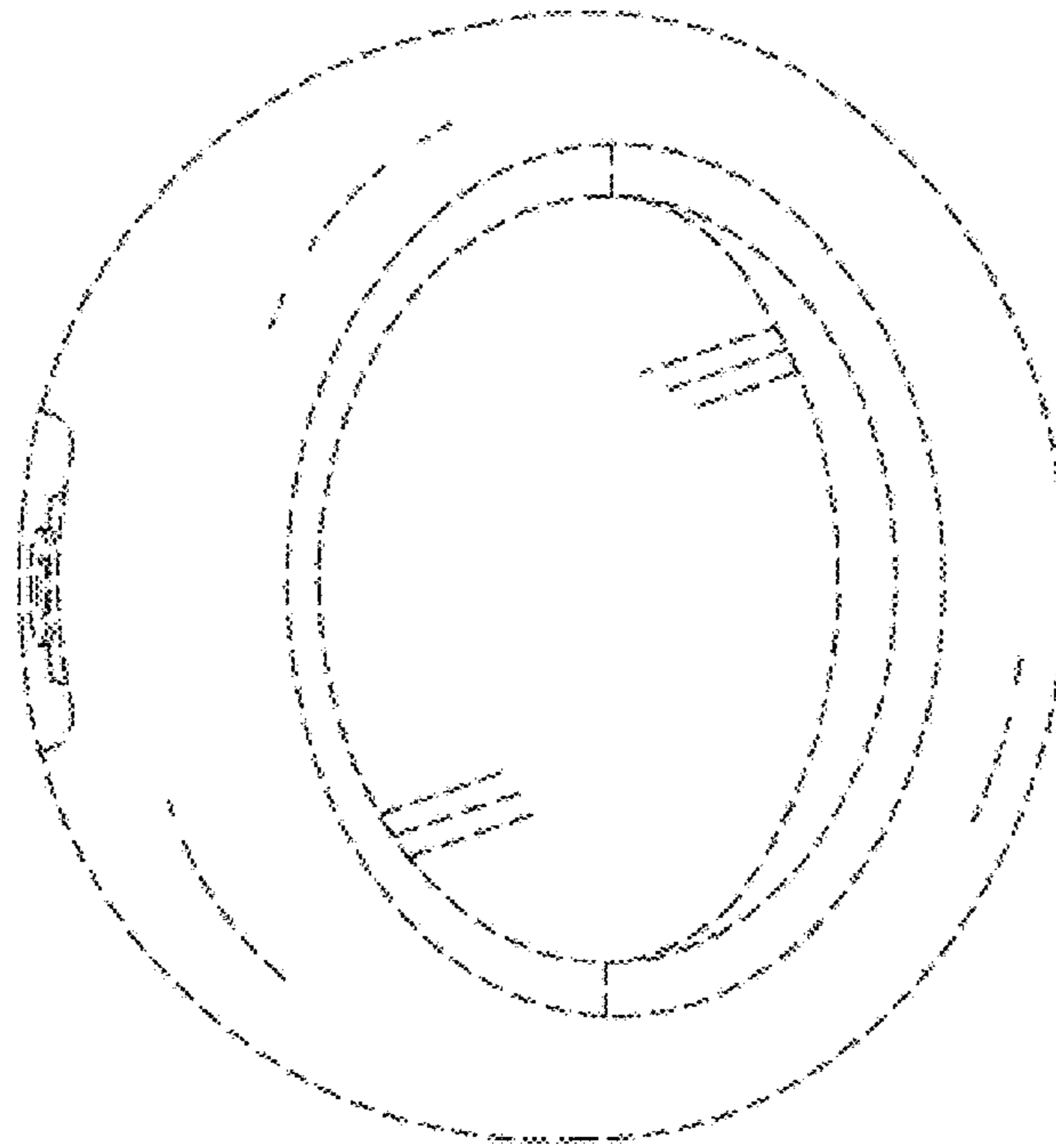


FIG. 18

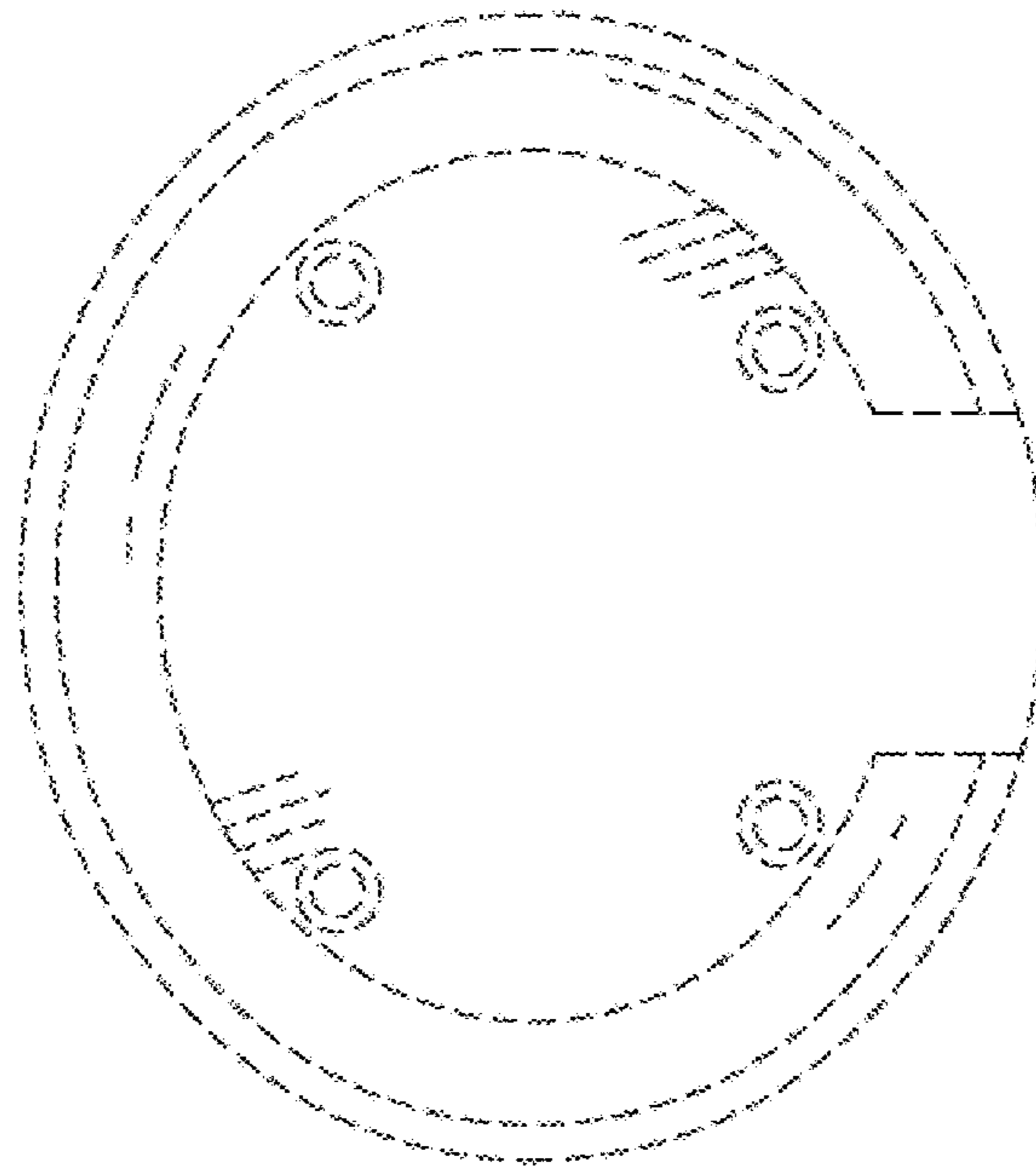


FIG. 19