



US00D839600S

(12) **United States Design Patent** (10) **Patent No.:** **US D839,600 S**
Bloch et al. (45) **Date of Patent:** **** Feb. 5, 2019**

(54) **ELECTRIC TOOTHBRUSH BRUSH HEAD**

(71) Applicant: **COLGATE-PALMOLIVE COMPANY**, New York, NY (US)

(72) Inventors: **Brian Bloch**, Hillsborough, NJ (US);
Lars Ralf Rainer Lieberwirth,
Glashuetten (DE)

(73) Assignee: **Colgate-Palmolive Company**, New York, NY (US)

(**) Term: **15 Years**

(21) Appl. No.: **29/610,546**

(22) Filed: **Jul. 13, 2017**

Related U.S. Application Data

(62) Division of application No. 29/546,718, filed on Nov. 25, 2015, now Pat. No. Des. 794,333.

(51) **LOC (11) Cl.** **04-02**

(52) **U.S. Cl.**
USPC **D4/101**

(58) **Field of Classification Search**
USPC D4/101, 102, 104, 105, 109, 110, 111,
D4/127, 128, 138; 15/167.1
CPC A46B 15/0097; A46B 9/005; A46B 9/026;
A46B 3/22; A46B 5/0095; A46B 5/021;
A46B 2200/1066; A61C 17/222
See application file for complete search history.

(56) **References Cited**

U.S. PATENT DOCUMENTS

- 4,277,862 A 7/1981 Vowles
- D353,490 S 12/1994 Hartwein
- 5,448,792 A 9/1995 Wiedemann et al.
- 5,453,644 A 9/1995 Yap et al.
- 5,524,312 A * 6/1996 Tan A61C 17/349
15/22.1
- 5,577,285 A 11/1996 Drossler

- 5,778,474 A 7/1998 Shek
- D411,769 S 7/1999 Wright
- 6,000,083 A 12/1999 Blaustein et al.
- 6,151,745 A 11/2000 Roberts et al.
- 6,189,693 B1 2/2001 Blaustein et al.
- 6,311,358 B1 11/2001 Soetewey et al.
- D458,029 S 6/2002 Li
- D470,660 S 2/2003 Schaber

(Continued)

FOREIGN PATENT DOCUMENTS

- CA 2145065 11/2002
- CA 2727682 5/2003

(Continued)

OTHER PUBLICATIONS

US 6,598,254, 7/2003, Blaustein et al. (withdrawn)

Primary Examiner — Karen E Eldridge Powers

(57) **CLAIM**

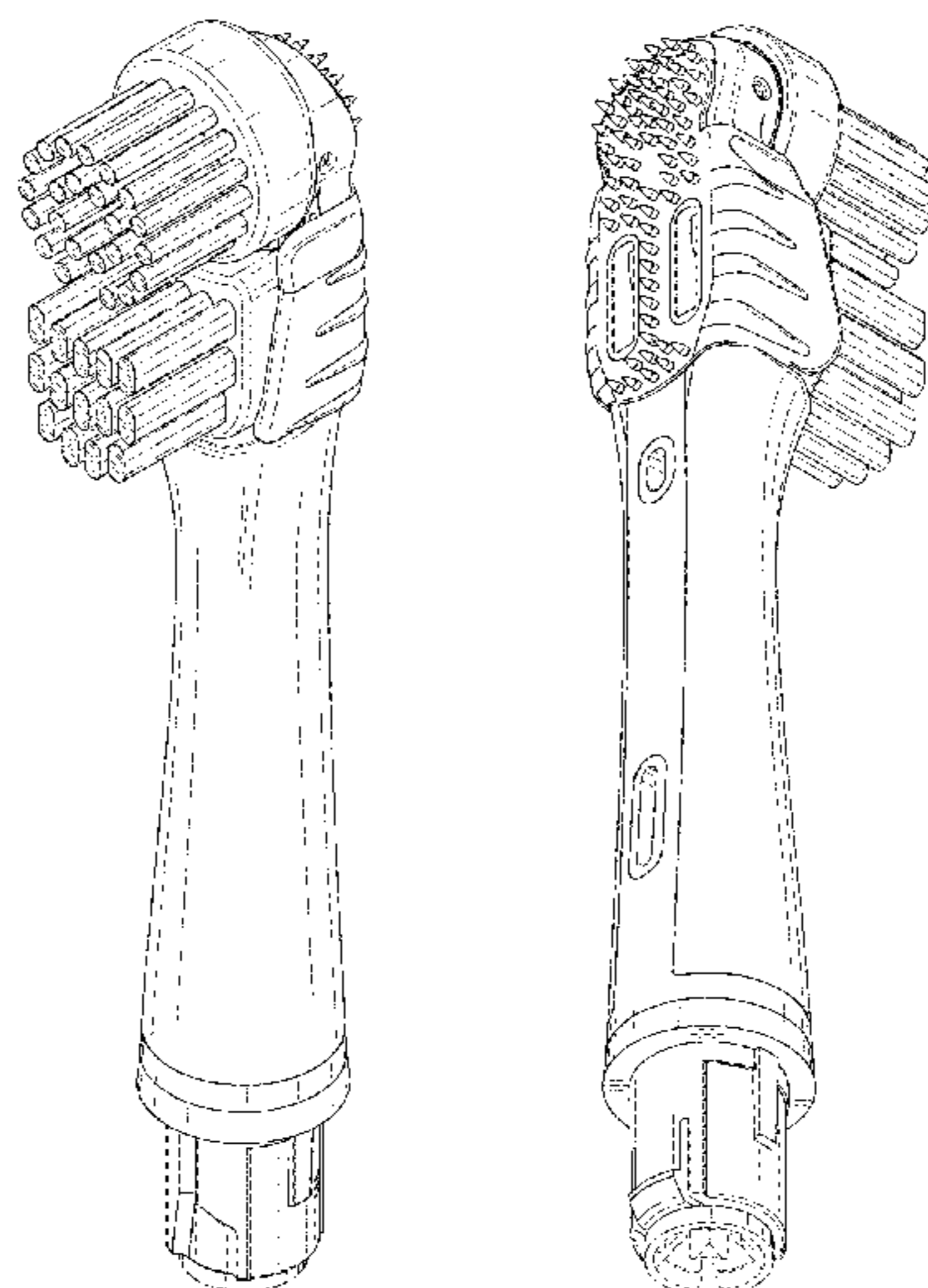
The ornamental design for an electric toothbrush brush head, as shown and described.

DESCRIPTION

FIG. 1 is a front right perspective view of an electric toothbrush brush head according to the new design; FIG. 2 is a rear left perspective view thereof; FIG. 3 is a front elevation view thereof; FIG. 4 is a rear elevation view thereof; FIG. 5 is a right side elevation view thereof; FIG. 6 is a left side elevation view thereof; FIG. 7 is a top plan view thereof; and, FIG. 8 is a bottom plan view thereof.

All broken lines shown in the drawings illustrate environmental structure and form no part of the claimed design. The long-short-long broken lines in the drawings define a boundary of the claimed design and form no part thereof.

1 Claim, 4 Drawing Sheets



(56)

References Cited

U.S. PATENT DOCUMENTS

6,574,820	B1	6/2003	DePuydt et al.	CA	D106401	6/2004
D480,563	S	10/2003	Hensel	CA	2644300	11/2004
D487,349	S	3/2004	Julian	CA	D103743	1/2005
6,725,490	B2	4/2004	Blaustein et al.	CA	2221796	5/2005
D500,208	S	12/2004	Vu	CA	2374479	12/2005
D503,852	S	4/2005	Hensel	CA	D111559	7/2006
6,886,207	B1	5/2005	Solanki	CA	2199970	5/2007
6,889,401	B2 *	5/2005	Fattori A46B 13/02	CA	2634392	6/2007
			15/22.1	CA	2649473	11/2007
				CA	2803801	8/2008
				CA	2550728	10/2008
D510,662	S	10/2005	Kling et al.	CA	2465486	1/2009
6,952,854	B2	10/2005	Blaustein et al.	CA	2465488	1/2009
6,988,777	B2	1/2006	Pfenniger et al.	CA	D121892	1/2009
D527,903	S	9/2006	Chan	CA	D121894	1/2009
7,124,461	B2	10/2006	Blaustein et al.	CA	2532727	2/2009
D534,725	S	1/2007	Vu	CA	2494755	5/2009
D536,876	S	2/2007	Chan et al.	CA	2523180	7/2009
7,197,784	B2	4/2007	Wong	CA	2462435	10/2009
D547,051	S	7/2007	Kirk, III et al.	CA	2477314	10/2009
7,269,872	B2	9/2007	Fattori et al.	CA	2591699	11/2009
D563,106	S	3/2008	Chan et al.	CA	2742912	5/2010
D577,198	S	9/2008	Jimenez et al.	CA	2755997	9/2010
7,451,514	B2	11/2008	Blaustein et al.	CA	2760067	10/2010
7,458,647	B2	12/2008	Fischer et al.	CA	2766373	12/2010
D611,712	S	3/2010	Stoerkel et al.	CA	2497733	2/2011
7,707,676	B2	5/2010	Solanki	CA	2465902	5/2011
D625,104	S	10/2010	Winkler	CA	2579039	5/2011
D625,105	S	10/2010	Winkler	CA	2589607	5/2011
7,861,348	B2 *	1/2011	Chan A61C 17/349	CA	2644304	6/2011
			15/22.1	CA	2781242	6/2011
				CA	2781245	6/2011
				CA	2518405	7/2011
D632,894	S	2/2011	Shigeno et al.	CA	D140845	1/2012
7,941,886	B2	5/2011	Chenvainu et al.	CA	D140847	1/2012
7,954,192	B2 *	6/2011	Gatzemeyer A46B 13/02	CA	D142396	1/2012
			15/22.1	CA	2479945	8/2012
				CA	2521848	8/2012
7,975,344	B2	7/2011	Braun et al.	CA	2514911	11/2012
7,992,244	B2	8/2011	Prineppi	CA	2781418	12/2012
8,060,970	B2	11/2011	Solanki	CA	D135253	12/2012
D651,805	S	1/2012	Hay et al.	CA	2548425	1/2013
D653,035	S	1/2012	Gebbski	CA	2549461	2/2013
8,234,742	B2	8/2012	Blaustein et al.	CA	2759094	4/2013
D669,687	S	10/2012	Heil et al.	CD	000037007-0001	6/2003
8,332,982	B2	12/2012	Braun et al.	CD	000065255-0001	7/2003
8,332,985	B2	12/2012	Solanki	CD	000065255-0002	7/2003
D673,775	S	1/2013	Jimenez et al.	CD	000065255-0003	7/2003
D676,662	S	2/2013	Jimenez et al.	CD	000101076-0001	2/2004
8,370,984	B2	2/2013	Farrell et al.	CD	000101076-0002	2/2004
8,418,301	B2	4/2013	Kressner	CD	000774484-0003	1/2008
8,434,183	B2	5/2013	Fritsch et al.	CD	001127815-0001	6/2009
8,468,634	B2	6/2013	Iwahori et al.	CD	001775412-0001	10/2010
8,528,148	B2	9/2013	Brown, Jr. et al.	CD	002078147-0001	7/2012
8,584,299	B2	11/2013	Chan et al.	CD	002163675-0001	1/2013
D790,860	S *	7/2017	Bloch D4/102	CD	002174730-0001	1/2013
D794,333	S *	8/2017	Bloch D4/101	CD	002174730-0002	1/2013
9,872,558	B2 *	1/2018	Hohlbein A46B 15/0081	CN	1424001	6/2003
2002/0084550	A1	7/2002	Roberts et al.	CN	2636836	9/2004
2003/0084524	A1	5/2003	Blaustein et al.	CN	1548011	11/2004
2004/0087882	A1	5/2004	Roberts et al.	CN	2652351	11/2004
2004/0154113	A1 *	8/2004	Drossler A61C 17/3436	CN	1568901	1/2005
			15/22.1	CN	201042465	4/2008
2004/0177458	A1	9/2004	Chan et al.	CN	300909803	4/2009
2004/0200016	A1	10/2004	Chan et al.	CN	300966813	7/2009
2005/0086753	A1	4/2005	Roberts et al.	CN	201370645	12/2009
2006/0085931	A1	4/2006	Roberts et al.	CN	301354565 S	9/2010
2007/0234496	A1	10/2007	Roberts et al.	CN	201727600	2/2011
2010/0083288	A1	4/2010	Lichtenfeld et al.	CN	201727601	2/2011
2010/0251493	A1	10/2010	Sale et al.	CN	301548727 S	5/2011
2011/0047729	A1	3/2011	Iwahori et al.	CN	301555643 S	5/2011
2012/0036655	A1	2/2012	Fritsch et al.	CN	201870760	6/2011
2012/0204365	A1	8/2012	Kressner	CN	202113181	1/2012
2012/0246846	A1	10/2012	Hall	EM	000102827-0007	7/2005
				EM	001413199-001	6/2014

FOREIGN PATENT DOCUMENTS

CA	2727867	5/2003		EP	0360766	3/1990
CA	D106400	6/2004		EP	0628291	12/1994
				EP	1776893	1/2001
				EP	1093770	4/2001

(56)

References Cited

FOREIGN PATENT DOCUMENTS

EP	1485039	11/2002
EP	1641602	6/2004
EP	2092845	9/2004
EP	2111181	12/2007
EP	2441159	6/2010
EP	2289463	3/2011
GB	395624	7/1933
GB	2303855	3/1997
RU	57329	8/2005
RU	57797	9/2005
RU	68516	12/2008
RU	69783	4/2009
RU	74165	3/2010
RU	75350	7/2010
RU	75625	7/2010
WO	WO 1996/31171	10/1996
WO	WO 1996/37164	11/1996
WO	WO 1998/01083	1/1998
WO	WO 1999/37181	7/1999
WO	WO 2000/44259	8/2000
WO	WO 2001/19281	3/2001
WO	WO 2001/28452	4/2001
WO	WO 2003/017861	3/2003
WO	WO 2003/024353	3/2003
WO	WO 2003/039393	5/2003
WO	WO 2003/039396	5/2003

WO	WO 2003/039397	5/2003
WO	WO 2003/055351	7/2003
WO	WO 2003/075712	9/2003
WO	WO 2004/045448	6/2004
WO	WO 2004/056235	7/2004
WO	WO 2004/080330	9/2004
WO	WO 2004/091340	10/2004
WO	WO 2004/093719	11/2004
WO	WO 2005/009274	2/2005
WO	WO 2005/032398	4/2005
WO	WO 2005/063143	7/2005
WO	WO 2005/063144	7/2005
WO	WO 2005/115196	12/2005
WO	WO 2006/029235	3/2006
WO	WO 2006/063226	6/2006
WO	WO 2008/029377	3/2008
WO	WO 2010/023644	3/2010
WO	WO 2010/025820	3/2010
WO	WO 2010/051080	5/2010
WO	WO 2010/106522	9/2010
WO	WO 2010/113140	10/2010
WO	WO 2010/143166	12/2010
WO	WO 2010/151582	12/2010
WO	WO 2011/072865	6/2011
WO	WO 2011/077290	6/2011
WO	WO 2011/116935	9/2011
WO	WO 2012/030908	3/2012
WO	WO 2012/042493	4/2012
WO	WO 2013/021716	2/2013

* cited by examiner

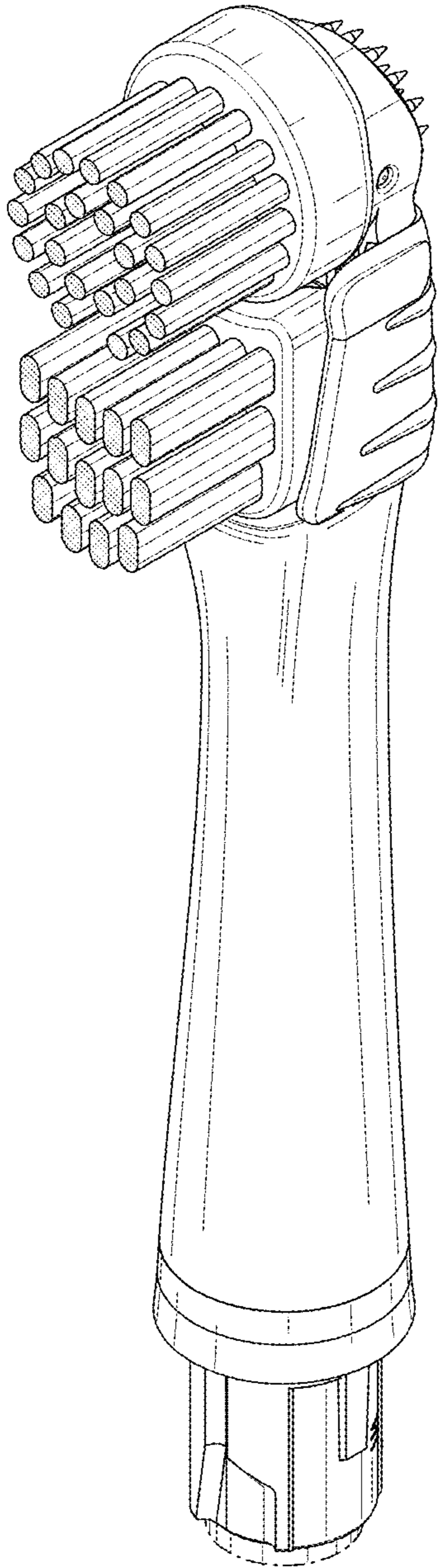


FIG. 1

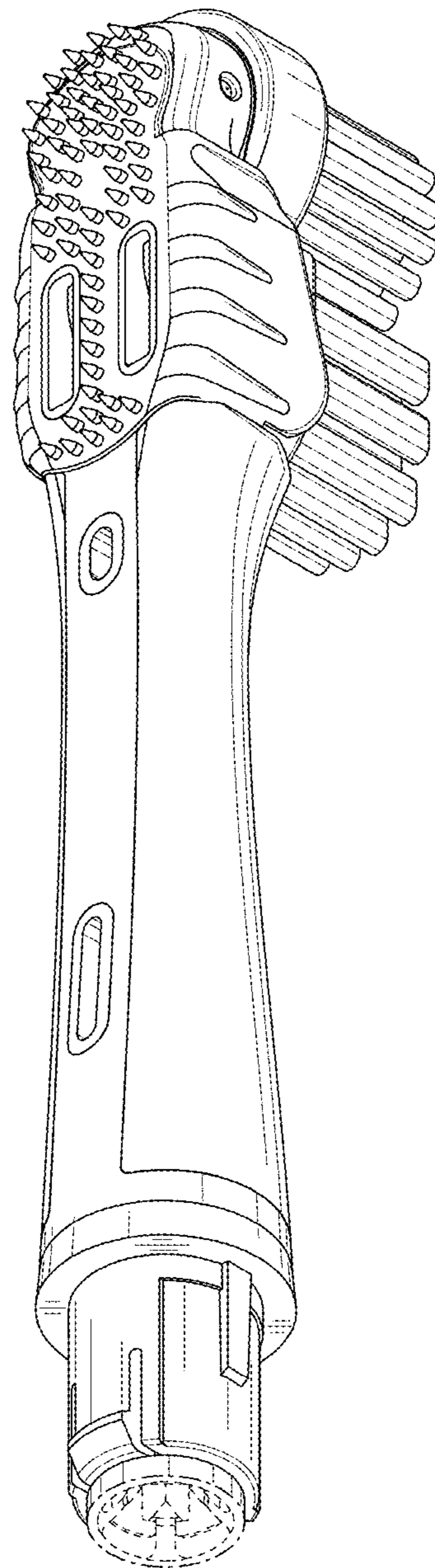


FIG. 2

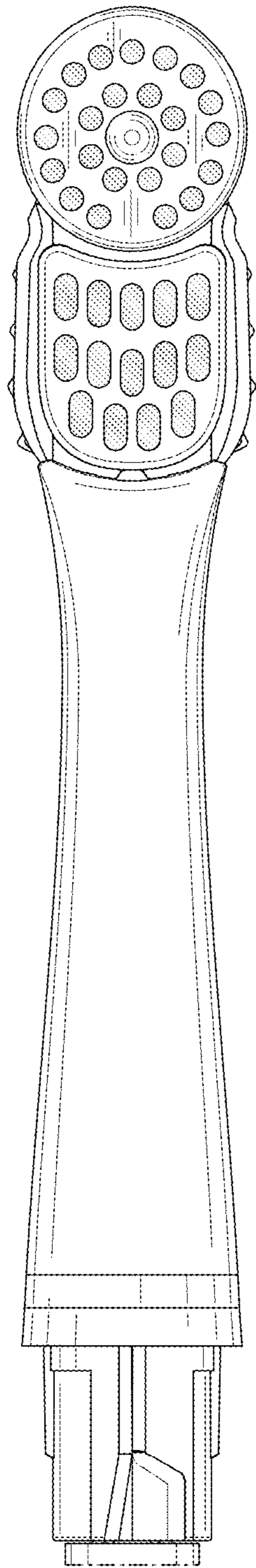


FIG. 3

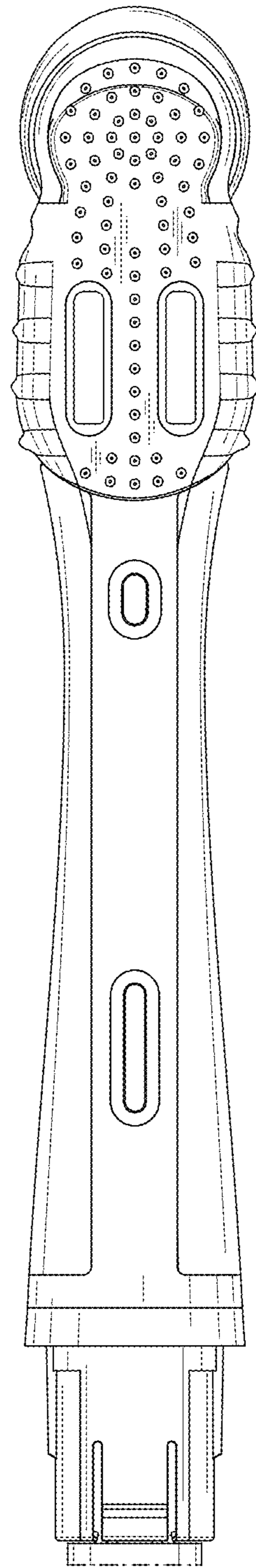


FIG. 4

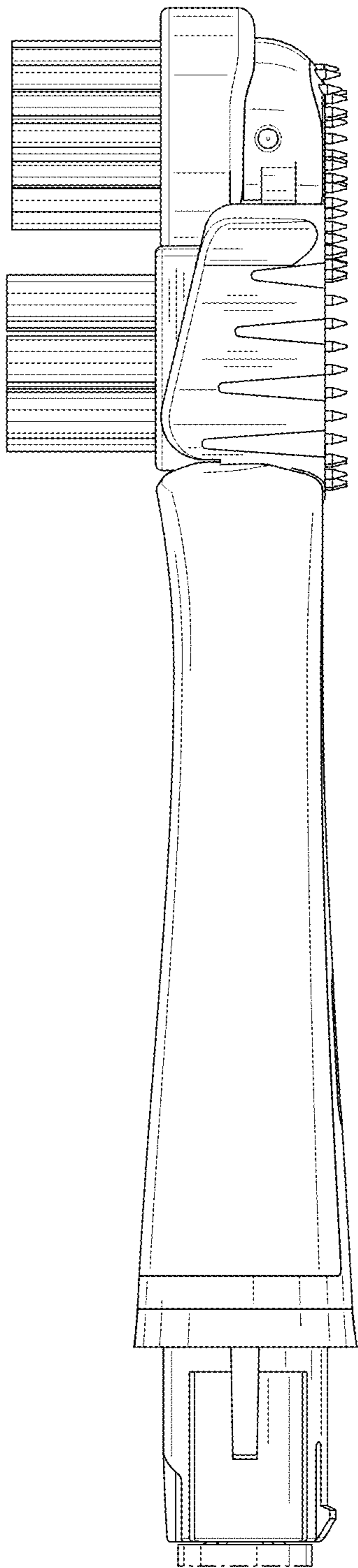


FIG. 5

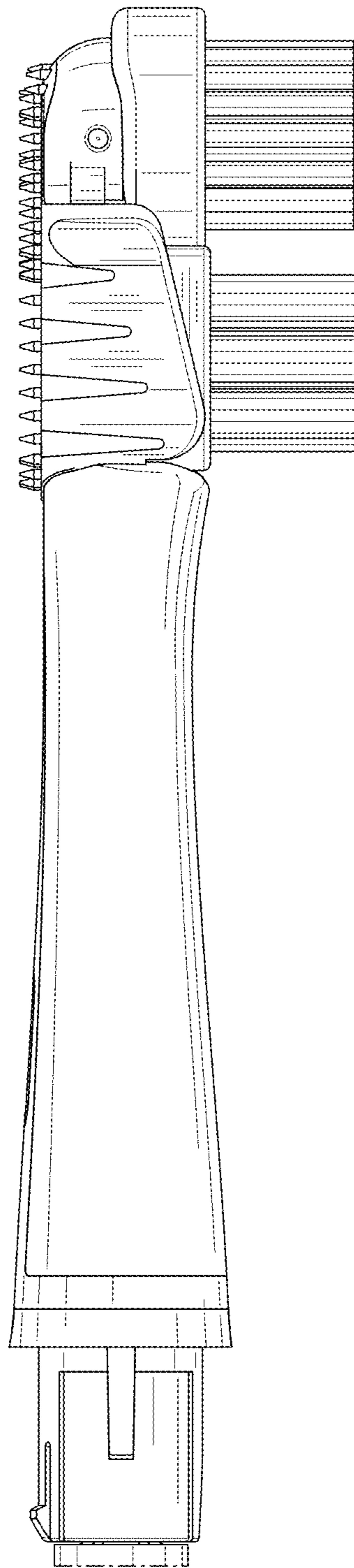


FIG. 6

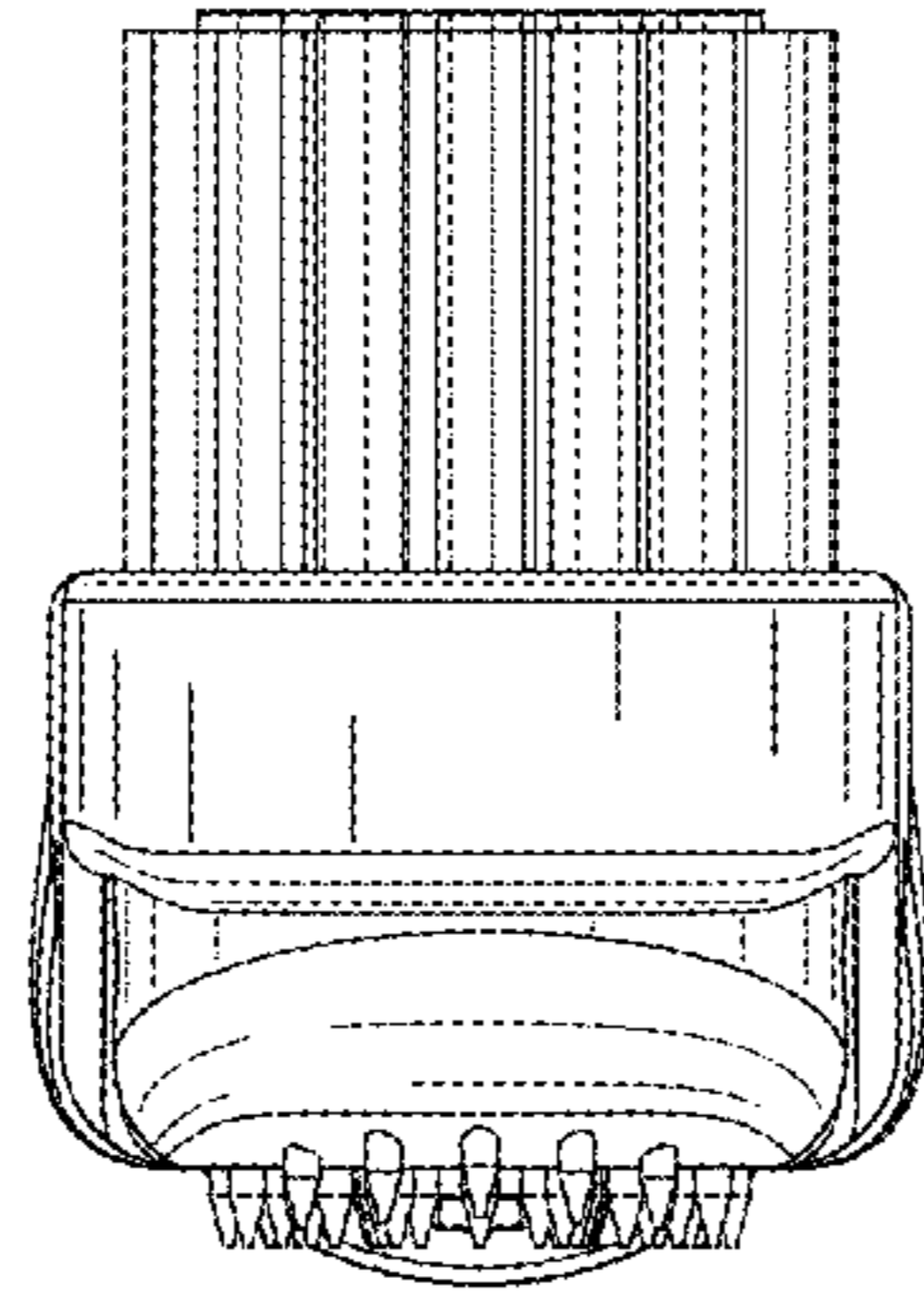


FIG. 7

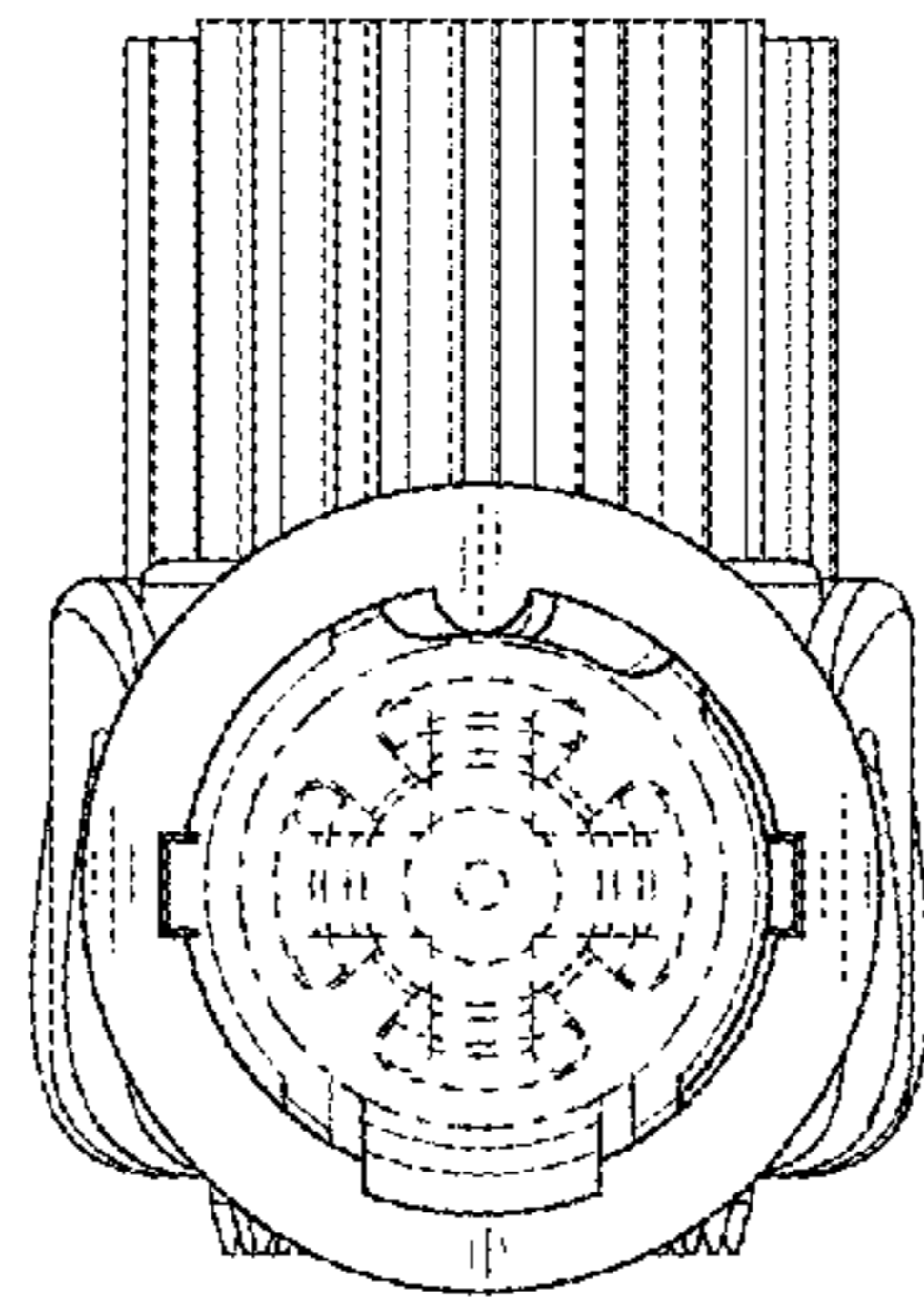


FIG. 8