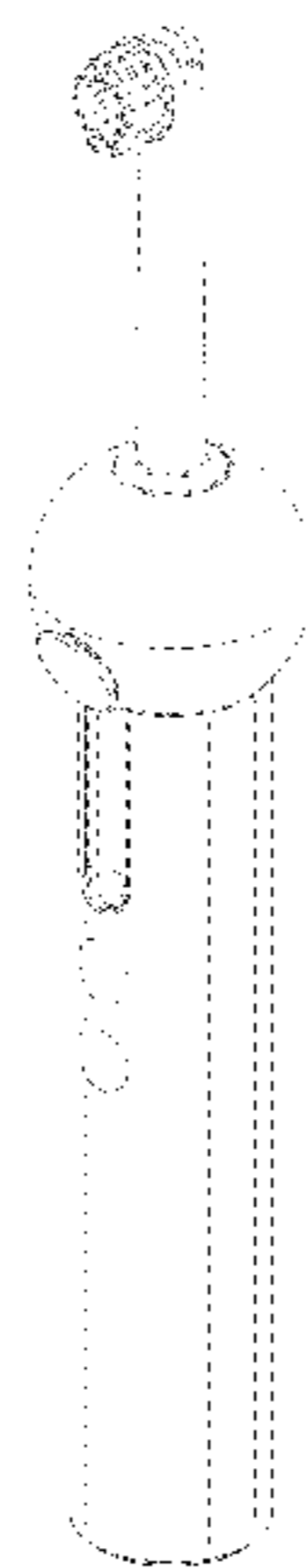




US00D839597S

(12) **United States Design Patent** (10) **Patent No.:** **US D839,597 S**
Courtney et al. (45) **Date of Patent:** **** *Feb. 5, 2019**

(54) DENTAL CLEANING APPLIANCE	1,847,495 A	3/1932	Priest
	1,959,601 A	5/1934	Schulse
(71) Applicant: Dyson Technology Limited , Wiltshire (GB)	2,036,706 A	4/1936	Law
	D113,432 S	2/1939	Newman
	2,318,460 A	5/1943	Brief
(72) Inventors: Stephen Benjamin Courtney , Bath (GB); Timothy Nicholas Stickney , Gloucester (GB); Jonathan George Marsh , Swindon (GB); Adam James Bates , Oxford (GB); Peter David Gammack , Gloucester (GB)	D153,130 S	3/1949	Fischer
	2,490,185 A	12/1949	Work
	D197,763 S	3/1964	Aymar
	3,370,415 A	2/1968	McIlvaine
	3,728,035 A	4/1973	Reitknecht
	3,734,106 A	5/1973	Zimmerman
	D230,654 S	3/1974	Fishbein
	D258,237 S	2/1981	Anspach
(73) Assignee: Dyson Technology Limited , Malmesbury, Wiltshire (GB)	4,277,194 A	7/1981	Smith
	D264,359 S	5/1982	Grubb et al.
	4,344,184 A *	8/1982	Edwards H04B 1/04 343/702
(*) Notice: This patent is subject to a terminal disclaimer.	D276,935 S	12/1984	Fattaleh
	4,761,138 A	8/1988	Niesyn
	D301,400 S	6/1989	Berendsen et al.
(**) Term: 15 Years	4,949,875 A	8/1990	Kuo
	D310,368 S *	9/1990	Derhaag D14/225
(21) Appl. No.: 29/602,344	D315,831 S	4/1991	Kawano
	D319,170 S	8/1991	Franke
(22) Filed: May 1, 2017	D320,275 S *	9/1991	Wada D24/119
	D321,285 S	11/1991	Hirabayashi
(30) Foreign Application Priority Data	5,062,728 A	11/1991	Kuo
Nov. 2, 2016 (GB) 6002248	D323,326 S *	1/1992	Takawo D14/160
(51) LOC (11) Cl. 28-03	D323,745 S *	2/1992	Stuart D4/104
(52) U.S. Cl.	D336,567 S	6/1993	Glover et al.
USPC D4/101	5,303,109 A *	4/1994	Takao G11B 25/06 360/1
(58) Field of Classification Search	5,349,480 A *	9/1994	Takao G10H 1/361 360/1
USPC D1/106, 199; D4/100-104, 108-111, D4/127, 128, 132-136, 138, 199; D8/61; D13/107, 108; D14/288; D24/119, 146, D24/180; D30/158, 159	D353,490 S	12/1994	Hartwein
CPC A46B 5/00; A46B 9/04; A46B 9/10; A46B 7/00; A46B 2200/1066; A46B 2200/1073; A46B 2200/1086	D354,168 S	1/1995	Hartwein
See application file for complete search history.	5,379,271 A	1/1995	Moedt
	D357,016 S *	4/1995	Li D14/155
(56) References Cited	D359,607 S *	6/1995	Yun 426/115
U.S. PATENT DOCUMENTS	D379,472 S	5/1997	Smith
1,051,815 A 1/1913 Morgan	D384,207 S	9/1997	Underwood
D84,131 S 5/1931 D' Ayrenx et al.	D385,702 S	11/1997	Okada
	D387,805 S	12/1997	Hsu
	D388,958 S	1/1998	Hartwein
	D393,016 S	3/1998	Young
	D396,957 S	8/1998	Allende
	5,815,872 A	10/1998	Meginniss, III et al.
	D401,270 S	11/1998	Cockram
	D403,864 S	1/1999	Holland et al.
	D411,483 S	6/1999	Greene, Jr.
	D411,769 S	7/1999	Wright
	D413,729 S	9/1999	Jansheski, Jr.
	D417,082 S	11/1999	Classen et al.



US D839,597 S

D419,305 S	1/2000	Porter et al.	D621,455 S	8/2010	Chernick et al.
6,047,429 A	4/2000	Wu	D627,971 S	11/2010	Battaglia
D423,784 S	5/2000	Joulin	D634,547 S	3/2011	Botelho
D428,704 S	8/2000	Wildman	D636,604 S	4/2011	Zhuan
D433,232 S	11/2000	Stützer et al.	D637,817 S	5/2011	Smith
D433,813 S	11/2000	Stützer et al.	D645,922 S	9/2011	Wu
D433,814 S	11/2000	Blaustein et al.	D649,787 S	12/2011	Ivarsson
D436,254 S	1/2001	Kling et al.	D657,954 S	4/2012	Gebski
D440,766 S	4/2001	Hartwein et al.	D658,883 S	5/2012	Winkler et al.
6,220,772 B1	4/2001	Taylor	D669,274 S *	10/2012	Meurrens D32/35
D445,831 S	7/2001	Lindner	D669,978 S	10/2012	Gebski et al.
D446,022 S	8/2001	Vonarburg et al.	8,317,424 B2	11/2012	Chenvainu et al.
D451,244 S	11/2001	Chen et al.	D673,225 S	12/2012	Heidrich
6,332,233 B1	12/2001	Proulx	8,434,190 B2	5/2013	Stief et al.
D453,996 S	3/2002	Kling et al.	8,444,416 B2	5/2013	Chenvainu et al.
D455,010 S	4/2002	Kling	D688,464 S	8/2013	Hara
D455,556 S	4/2002	Kling	D688,877 S	9/2013	Li
D456,608 S	5/2002	Lim	D689,125 S	9/2013	Lochen
D456,996 S	5/2002	McCurrach	D689,698 S	9/2013	Dickie et al.
D458,028 S	6/2002	McCurrach	D690,369 S	9/2013	Wu
D458,029 S	6/2002	Li	D693,581 S	11/2013	Ballmaier et al.
6,422,974 B1	7/2002	Schimmel	D694,524 S	12/2013	Erskine-Smith
D462,174 S	9/2002	Schaber	D696,024 S	12/2013	Shigeno et al.
6,461,164 B1	10/2002	Ramelli	D696,517 S	12/2013	Gebski
D465,279 S	11/2002	Etter et al.	D701,388 S	3/2014	Chuanzhou et al.
D468,422 S	1/2003	McCurrach	D702,946 S	4/2014	Shigeno et al.
D476,156 S	6/2003	Ferber et al.	D704,337 S	5/2014	Dunn
D477,716 S	7/2003	Roberson	D706,033 S	6/2014	Dickie et al.
D478,212 S	8/2003	Winkler	D707,764 S	6/2014	Deveaux
D478,214 S	8/2003	Winkler et al.	D708,440 S	7/2014	Owen et al.
D478,423 S	8/2003	Mulder et al.	D711,988 S	8/2014	Gubany
D483,182 S	12/2003	Blaustein et al.	D712,988 S	9/2014	Sagedahl
D487,911 S	3/2004	Cheney	D713,391 S *	9/2014	Ibuki D14/228
D492,717 S	7/2004	Cohen	D718,056 S	11/2014	Massee et al.
D492,996 S	7/2004	Rehkemper et al.	D718,057 S	11/2014	Massee et al.
6,766,549 B2	7/2004	Klupt	D719,737 S	12/2014	Adriaenssen et al.
D497,481 S	10/2004	Porter et al.	D724,679 S	3/2015	Martyn
D499,554 S	12/2004	Ramelli	D727,445 S	4/2015	Viramontez
D500,136 S	12/2004	Rehkemper et al.	9,039,642 B2	5/2015	Lee
D500,209 S	12/2004	Kellogg	D735,280 S	7/2015	O'Malley
D500,599 S	1/2005	Callaghan	D736,870 S	8/2015	Nagi
D501,605 S	2/2005	Brown, Jr. et al.	D738,968 S	9/2015	Oz
D503,852 S	4/2005	Hensel	D741,423 S	10/2015	Holland
D504,911 S	5/2005	Ng	9,154,025 B2	10/2015	Schaefer et al.
D508,776 S	8/2005	Kling et al.	D742,649 S	11/2015	Thompson
D509,362 S	9/2005	Maeda	D749,851 S	2/2016	Watkins
7,007,331 B2	3/2006	Davics et al.	D749,852 S	2/2016	Since
D521,681 S	5/2006	Xu	9,265,334 B1	2/2016	Fung-A-Wing
D527,187 S	8/2006	Ramelli	D751,821 S	3/2016	Since
D527,527 S	9/2006	Ramelli	D752,868 S	4/2016	McGarry et al.
D528,176 S	9/2006	Milliken	D757,439 S	5/2016	Shigeno et al.
D531,240 S	10/2006	Geisendorfer	D758,079 S	6/2016	Since
D531,811 S *	11/2006	Cochran D4/108	D758,080 S	6/2016	Since
D532,974 S *	12/2006	Zhuan D4/101	D758,736 S	6/2016	Shigeno et al.
D533,720 S *	12/2006	Vu D4/101	D759,382 S	6/2016	Watkins
D534,728 S *	1/2007	Vu D4/101	D761,567 S	7/2016	Uchida
D541,049 S	4/2007	Huang	D766,580 S	9/2016	Kollar et al.
D549,209 S *	8/2007	Bauman D14/155	D766,581 S	9/2016	Bloch et al.
D556,453 S	12/2007	Sprosta et al.	D767,895 S	10/2016	Stebila et al.
D556,455 S	12/2007	Williams	D768,386 S *	10/2016	Demarest D4/100
D562,488 S	2/2008	Weiser	D773,192 S	12/2016	Nabavi
D569,623 S	5/2008	Beedham	D773,822 S	12/2016	Sikora et al.
7,389,781 B2	6/2008	Kemp et al.	D774,144 S	12/2016	Fjelstad
D572,007 S	7/2008	Lamason et al.	D775,288 S	12/2016	Spiegler
D577,199 S	9/2008	Zhuan	D777,442 S	1/2017	White et al.
D579,664 S	11/2008	Fisher et al.	D780,456 S	3/2017	Shigeno et al.
D579,666 S	11/2008	Jamson	D787,189 S	5/2017	Fretwell et al.
D580,173 S	11/2008	Beedham	9,668,598 B2	6/2017	Wartersian et al.
D583,052 S	12/2008	Kagawa	D790,859 S	7/2017	McGarry et al.
D586,125 S	2/2009	Winkler et al.	D790,861 S	7/2017	Demarest et al.
D588,364 S	3/2009	Nanda	D791,485 S	7/2017	McGarry et al.
D589,255 S	3/2009	Taylor et al.	9,700,129 B2	7/2017	Follows et al.
7,527,446 B2	5/2009	Johnson Papa et al.	D795,419 S	8/2017	Kohler
D595,366 S	6/2009	Katzke	9,743,749 B2	8/2017	Follows et al.
D595,771 S	7/2009	Oas	D798,060 S	9/2017	Shigeno et al.
D598,653 S	8/2009	Crossman	D799,217 S	10/2017	Massee
D598,806 S	8/2009	Rosenkötter	D799,756 S	10/2017	Fox
D599,555 S	9/2009	Oliphant	D801,696 S	11/2017	McGarry et al.
D612,611 S	3/2010	Brown, Jr. et al.	9,814,302 B2	11/2017	Follows et al.

9,820,563	B2	11/2017	Follows et al.
D804,918	S	12/2017	Lipford
D806,228	S	12/2017	Yan
9,839,284	B2	12/2017	Follows et al.
D810,513	S	2/2018	McCoy et al.
D814,195	S	4/2018	Sikora et al.
2001/0034917	A1	11/2001	DuCey
2004/0187889	A1	9/2004	Kemp et al.
2006/0078844	A1	4/2006	Goldman et al.
2006/0133885	A1	6/2006	Kaminski
2009/0007357	A1	1/2009	Meadows et al.
2012/0272468	A1	11/2012	Weisman et al.
2013/0007969	A1	1/2013	Driesen et al.
2013/0091645	A1	4/2013	Suwanbutr
2014/0246049	A1	9/2014	Ikkink et al.
2014/0259474	A1	9/2014	Sokol et al.
2015/0150664	A1	6/2015	Crossman et al.
2015/0230898	A1	8/2015	Miller
2015/0310763	A1	10/2015	Miller et al.
2016/0015163	A1	1/2016	Newman et al.
2016/0157596	A1	6/2016	Fifield
2016/0331113	A1*	11/2016	Follows A61C 17/0202
2016/0331114	A1*	11/2016	Follows A61C 17/02
2016/0331115	A1*	11/2016	Follows A61C 17/0202
2016/0331116	A1*	11/2016	Follows A46B 11/001
2016/0331117	A1*	11/2016	Follows A61C 17/02
2016/0331497	A1*	11/2016	Follows A61C 17/227
2016/0331498	A1*	11/2016	Follows A61C 17/227
2017/0119510	A1	5/2017	Tomori et al.
2018/0021116	A1	1/2018	Störkel et al.
2018/0055212	A1*	3/2018	Follows A61C 17/40
2018/0084898	A1	3/2018	Vincent et al.
2018/0085207	A1*	3/2018	Tweedie A61C 17/36

FOREIGN PATENT DOCUMENTS

CN	304361403	11/2017
GB	2538299	11/2016
GB	2538308	11/2016
GB	2538309	11/2016
JP	1595568	1/2018
JP	1595649	1/2018
WO	WO-2005/076818	8/2005

OTHER PUBLICATIONS

Electric Teeth | Dyson is designing an electric toothbrush, posted on Nov. 27, 2016 by Jon Love, © 2018 Electric Teeth [online], [site visited Apr. 24, 2018]. Available from Internet, <URL: <http://www.electriceeth.co.uk/dyson-is-designing-an-electric-toothbrush/>>.*

Courtney et al., U.S. Office Action dated May 16, 2018, directed to U.S. Appl. No. 29/602,343; 9 pages.

Courtney et al., U.S. Office Action dated May 16, 2018, directed to U.S. Appl. No. 29/602,351; 9 pages.

Courtney et al., U.S. Office Action dated May 16, 2018, directed to U.S. Appl. No. 29/602,360; 7 pages.

Courtney et al., U.S. Office Action dated Apr. 19, 2018, directed to U.S. Appl. No. 29/602,366; 14 pages.

Courtney et al., U.S. Office Action dated Apr. 20, 2018, directed to U.S. Appl. No. 29/602,376; 16 pages.

Courtney et al., U.S. Office Action dated Apr. 19, 2018, directed to U.S. Appl. No. 29/602,381; 17 pages.

Courtney et al., U.S. Office Action dated May 18, 2018, directed to U.S. Appl. No. 29/602,340; 13 pages.

Courtney et al., U.S. Office Action dated May 18, 2018, directed to U.S. Appl. No. 29/602,342; 12 pages.

Courtney et al., U.S. Office Action dated May 16, 2018, directed to U.S. Appl. No. 29/602,345; 9 pages.

Courtney et al., U.S. Office Action dated May 16, 2018, directed to U.S. Appl. No. 29/602,349; 9 pages.

Courtney et al., U.S. Office Action dated May 16, 2018, directed to U.S. Appl. No. 29/602,319; 6 pages.

Courtney et al., U.S. Office Action dated May 16, 2018, directed to U.S. Appl. No. 29/602,320; 6 pages.

Courtney et al., U.S. Office Action dated May 16, 2018, directed to U.S. Appl. No. 29/602,323; 7 pages.

Courtney et al., U.S. Office Action dated May 16, 2018, directed to U.S. Appl. No. 29/602,326; 7 pages.

Courtney et al., U.S. Office Action dated Apr. 23, 2018, directed to U.S. Appl. No. 29/602,389; 16 pages.

Courtney et al., U.S. Office Action dated Feb. 23, 2018, directed to U.S. Appl. No. 29/602,395; 10 pages.

Courtney et al., U.S. Office Action dated Feb. 23, 2018, directed to U.S. Appl. No. 29/602,397; 10 pages.

Courtney et al., U.S. Office Action dated Apr. 20, 2018, directed to U.S. Appl. No. 29/602,387; 17 pages.

Courtney et al., U.S. Office Action dated Apr. 20, 2018, directed to U.S. Appl. No. 29/602,390; 17 pages.

Courtney et al., U.S. Office Action dated Mar. 8, 2018, directed to U.S. Appl. No. 29/602,391; 12 pages.

Courtney et al., U.S. Office Action dated Mar. 8, 2018, directed to U.S. Appl. No. 29/602,393; 9 pages.

Courtney et al., U.S. Office Action dated Feb. 22, 2018, directed to U.S. Appl. No. 29/602,394; 16 pages.

Courtney et al., U.S. Office Action dated Feb. 22, 2018, directed to U.S. Appl. No. 29/602,396; 17 pages.

Courtney et al., U.S. Office Action dated Feb. 22, 2018, directed to U.S. Appl. No. 29/602,402; 20 pages.

Courtney et al., U.S. Office Action dated Feb. 22, 2018, directed to U.S. Appl. No. 29/602,403; 20 pages.

Courtney et al., U.S. Office Action dated Feb. 21, 2018, directed to U.S. Appl. No. 29/602,405; 7 pages.

Courtney et al., U.S. Office Action dated Feb. 21, 2018, directed to U.S. Appl. No. 29/602,407; 7 pages.

Courtney et al., U.S. Office Action dated Feb. 22, 2018, directed to U.S. Appl. No. 29/602,409; 16 pages.

Courtney et al., U.S. Office Action dated Feb. 23, 2018, directed to U.S. Appl. No. 29/602,411; 17 pages.

Courtney et al., U.S. Office Action dated May 17, 2018, directed to U.S. Appl. No. 29/602,327; 14 pages.

Courtney et al., U.S. Office Action dated Apr. 25, 2018, directed to U.S. Appl. No. 29/602,330; 10 pages.

Courtney et al., U.S. Office Action dated Apr. 25, 2018, directed to U.S. Appl. No. 29/602,339; 11 pages.

Courtney et al., U.S. Office Action dated Feb. 21, 2018, directed to U.S. Appl. No. 29/602,416; 8 pages.

Courtney et al., U.S. Office Action dated Feb. 21, 2018, directed to U.S. Appl. No. 29/602,418; 8 pages.

Courtney et al., U.S. Office Action dated May 18, 2018, directed to U.S. Appl. No. 29/602,355; 12 pages.

Courtney et al., U.S. Office Action dated May 18, 2018, directed to U.S. Appl. No. 29/602,357; 11 pages.

Courtney et al., U.S. Office Action dated Apr. 19, 2018, directed to U.S. Appl. No. 29/602,367; 13 pages.

Courtney et al., U.S. Office Action dated May 25, 2018, directed to U.S. Appl. No. 29/602,422; 15 pages.

Courtney et al., U.S. Office Action dated Apr. 19, 2018, directed to U.S. Appl. No. 29/602,370; 16 pages.

Courtney et al., U.S. Office Action dated Apr. 23, 2018, directed to U.S. Appl. No. 29/602,374; 16 pages.

Courtney et al., U.S. Office Action dated Apr. 19, 2018, directed to U.S. Appl. No. 29/602,378; 14 pages.

Courtney et al., U.S. Office Action dated Apr. 20, 2018, directed to U.S. Appl. No. 29/602,384; 14 pages.

Courtney et al., U.S. Office Action dated Apr. 20, 2018, directed to U.S. Appl. No. 29/602,388; 15 pages.

Courtney et al., U.S. Office Action dated Apr. 20, 2018, directed to U.S. Appl. No. 29/602,386; 14 pages.

Courtney et al., U.S. Office Action dated Mar. 7, 2018, directed to U.S. Appl. No. 29/602,426; 11 pages.

Courtney et al., U.S. Office Action dated Mar. 8, 2018, directed to U.S. Appl. No. 29/602,427; 12 pages.

Courtney et al., U.S. Office Action dated Mar. 8, 2018, directed to U.S. Appl. No. 29/602,430; 12 pages.

Courtney et al., U.S. Office Action dated Mar. 8, 2018, directed to U.S. Appl. No. 29/602,431; 11 pages.

Courtney et al., U.S. Office Action dated Mar. 8, 2018, directed to U.S. Appl. No. 29/602,435; 12 pages.
 Courtney et al., U.S. Office Action dated Mar. 8, 2018, directed to U.S. Appl. No. 29/602,436; 10 pages.
 Courtney et al., U.S. Office Action dated Mar. 8, 2018, directed to U.S. Appl. No. 29/602,385; 10 pages.
 Courtney et al., U.S. Office Action dated Mar. 8, 2018, directed to U.S. Appl. No. 29/602,383; 10 pages.
 Courtney et al., U.S. Office Action dated Apr. 19, 2018, directed to U.S. Appl. No. 29/602,382; 14 pages.
 Courtney et al., U.S. Office Action dated Mar. 8, 2018, directed to U.S. Appl. No. 29/602,437; 11 pages.
 Courtney et al., U.S. Office Action dated Mar. 8, 2018, directed to U.S. Appl. No. 29/602,438; 12 pages.
 Courtney et al., U.S. Office Action dated Apr. 19, 2018, directed to U.S. Appl. No. 29/602,369; 16 pages.
 Courtney et al., U.S. Office Action dated May 16, 2018, directed to U.S. Appl. No. 29/602,365; 10 pages.
 Courtney et al., U.S. Office Action dated May 16, 2018, directed to U.S. Appl. No. 29/602,363; 10 pages.
 Courtney et al., U.S. Office Action dated May 16, 2018, directed to U.S. Appl. No. 29/602,359; 8 pages.
 Courtney et al., U.S. Office Action dated May 16, 2018, directed to U.S. Appl. No. 29/602,347; 8 pages.
 Courtney et al., U.S. Office Action dated May 18, 2018, directed to U.S. Appl. No. 29/602,341; 16 pages.
 Courtney et al., U.S. Office Action dated May 18, 2018, directed to U.S. Appl. No. 29/602,333; 14 pages.
 Courtney et al., U.S. Office Action dated May 17, 2018, directed to U.S. Appl. No. 29/602,331; 13 pages.
 Courtney et al., U.S. Office Action dated May 18, 2018, directed to U.S. Appl. No. 29/602,328; 15 pages.
 Courtney et al., U.S. Office Action dated Apr. 25, 2018, directed to U.S. Appl. No. 29/602,325; 13 pages.
 Courtney et al., U.S. Office Action dated Apr. 25, 2018, directed to U.S. Appl. No. 29/602,321; 13 pages.
 Courtney et al., U.S. Office Action dated Mar. 8, 2018, directed to U.S. Appl. No. 29/602,440; 12 pages.

Courtney et al., U.S. Office Action dated Mar. 8, 2018, directed to U.S. Appl. No. 29/602,443; 12 pages.

Pettit, H. (Nov. 24, 2016). "Dyson's next device could be a smart Toothbrush that flosses your teeth with high-powered jets of water," located at <<http://www.dailymail.co.uk/sciencetech/article-3968756/Dyson-s-invention-smart-TOOTBRUSH-flosses-teeth-water-clean-them.html>> (5 pages).

* cited by examiner

Primary Examiner — Philip S Hyder
Assistant Examiner — Cary M Robinson
 (74) *Attorney, Agent, or Firm* — Morrison & Foerster LLP

(57) **CLAIM**

We claim the ornamental design for a dental cleaning appliance, as shown and described.

DESCRIPTION

FIG. 1 is a perspective view of a dental cleaning appliance showing our new design;
 FIG. 2 is a front view thereof;
 FIG. 3 is a rear view thereof;
 FIG. 4 is a side view thereof;
 FIG. 5 is a side view of the opposite side of FIG. 4;
 FIG. 6 is a top view thereof; and,
 FIG. 7 is a bottom view thereof.
 The broken lines shown in the drawings illustrate portions of a dental cleaning appliance that form no part of the claimed design.

1 Claim, 7 Drawing Sheets

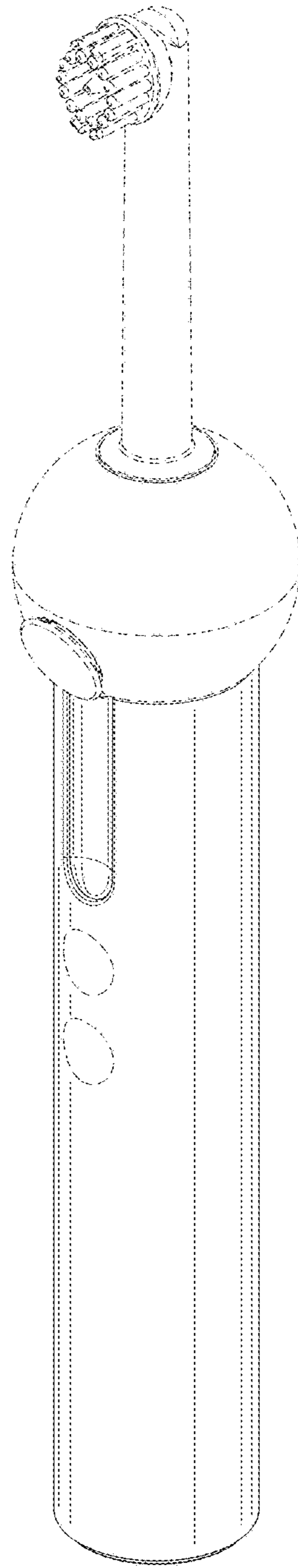


FIG. 1

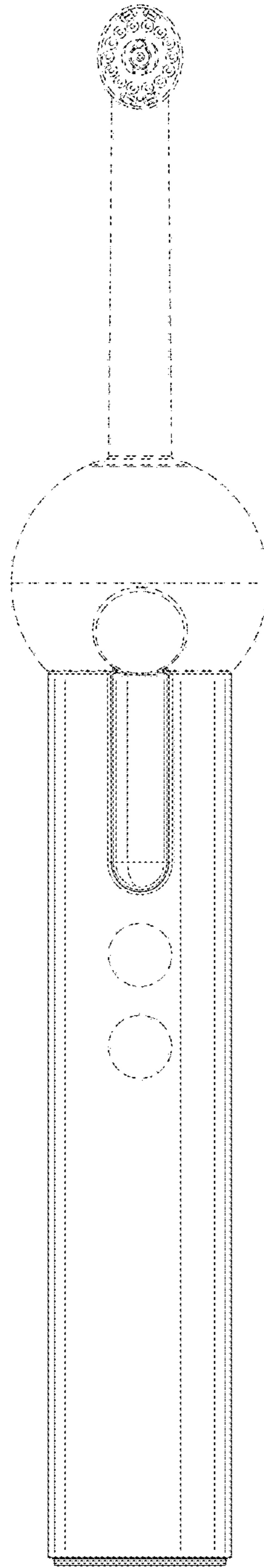


FIG. 2

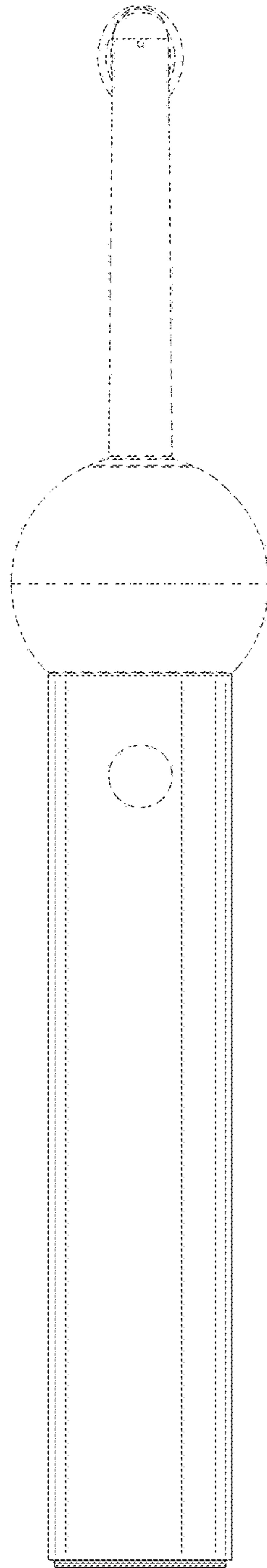


FIG. 3

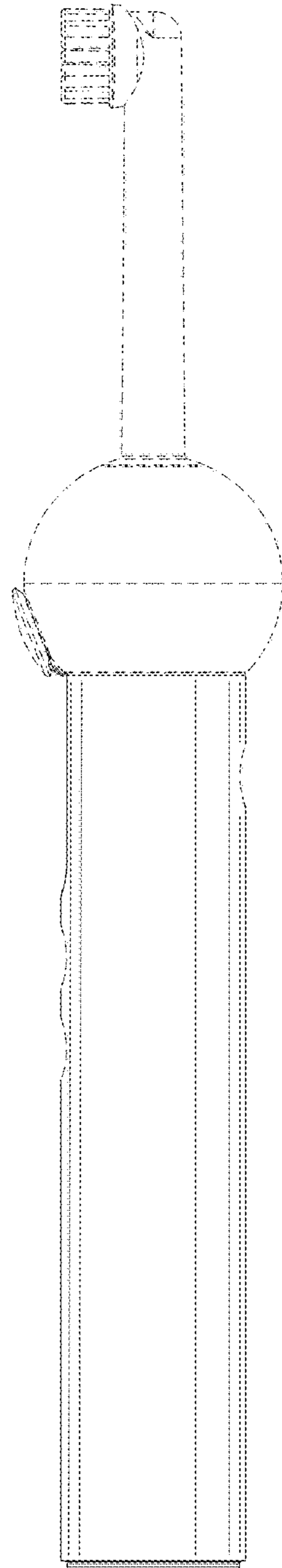


FIG. 4

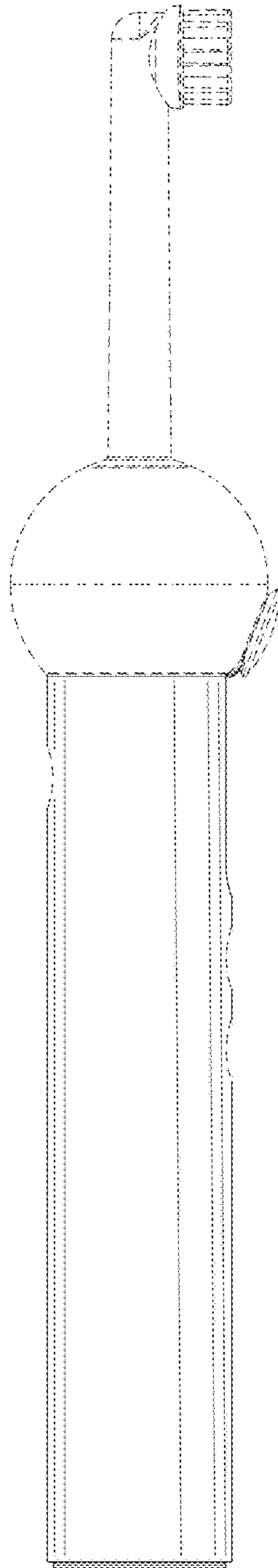


FIG. 5

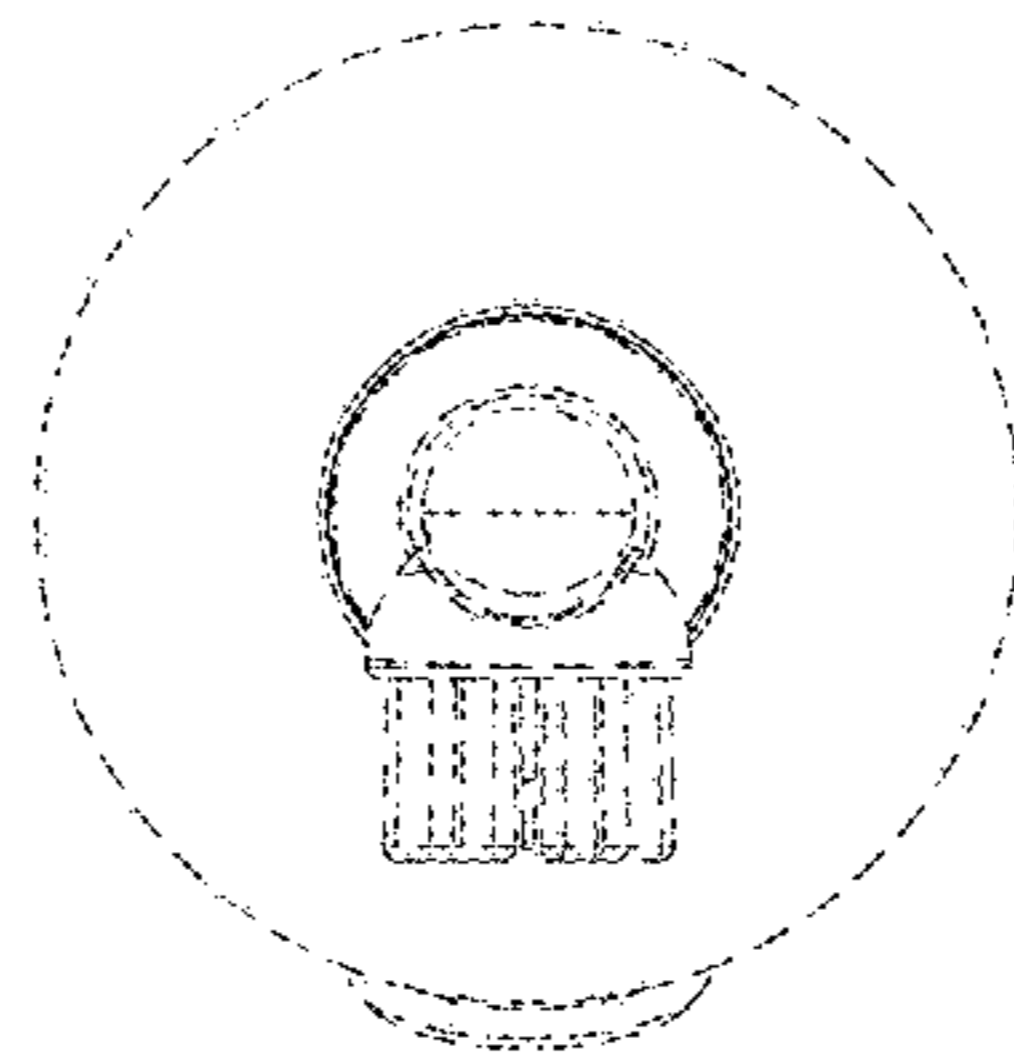


FIG. 6

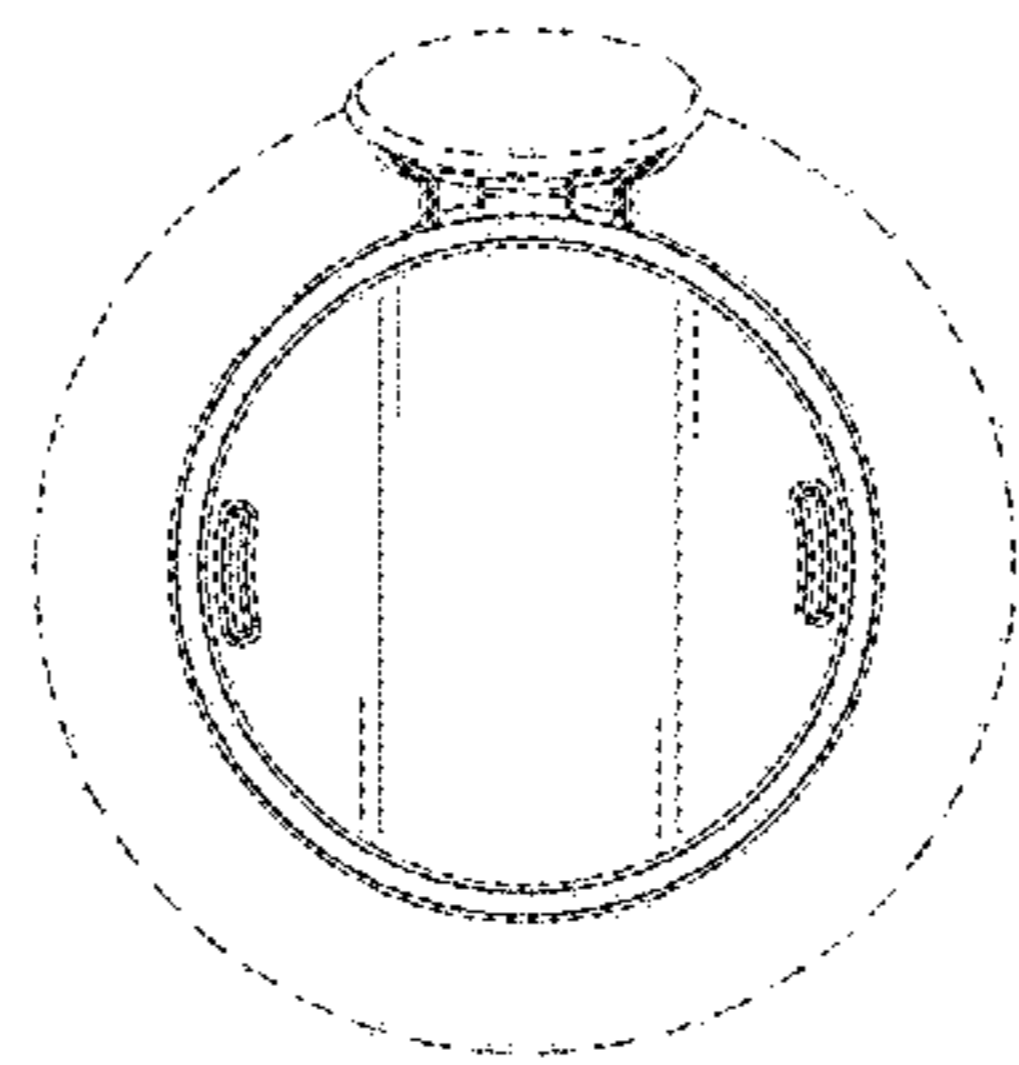


FIG. 7