



US00D839595S

(12) **United States Design Patent** (10) **Patent No.:** **US D839,595 S**
Asher (45) **Date of Patent:** **** Feb. 5, 2019**

(54) **STORAGE BOX FOR FALSE EYELASH TILES**

(71) Applicant: **Elena Asher**, Miami, FL (US)

(72) Inventor: **Elena Asher**, Miami, FL (US)

(**) Term: **15 Years**

(21) Appl. No.: **29/587,175**

(22) Filed: **Dec. 11, 2016**

(51) **LOC (11) Cl.** **03-01**

(52) **U.S. Cl.**
USPC **D3/295**

(58) **Field of Classification Search**
USPC D3/294, 295, 274, 313, 901; D6/657;
D21/483, 484, 489-491, 529, 468,
(Continued)

(56) **References Cited**

U.S. PATENT DOCUMENTS

640,315 A * 1/1900 Parmelee B65D 25/04
211/134
2,695,112 A * 11/1954 Bonnevey A45C 13/02
132/315

(Continued)

FOREIGN PATENT DOCUMENTS

CA 175029 * 11/2017
CA 176364 * 11/2017

(Continued)

OTHER PUBLICATIONS

Lash Makers 10 Tile Lash Box, available Apr. 1, 2016, [online], [site visited Jun. 25, 2018]. Available from internet, <URL: <https://www.lashmakers.com/product/10-tile-lash-box/> (Year: 2016).*

(Continued)

Primary Examiner — Cathron C Brooks
Assistant Examiner — W. A. Teddy Falloway

(74) *Attorney, Agent, or Firm* — The Concept Law Group, PA; Scott D. Smiley; Scott M. Garrett

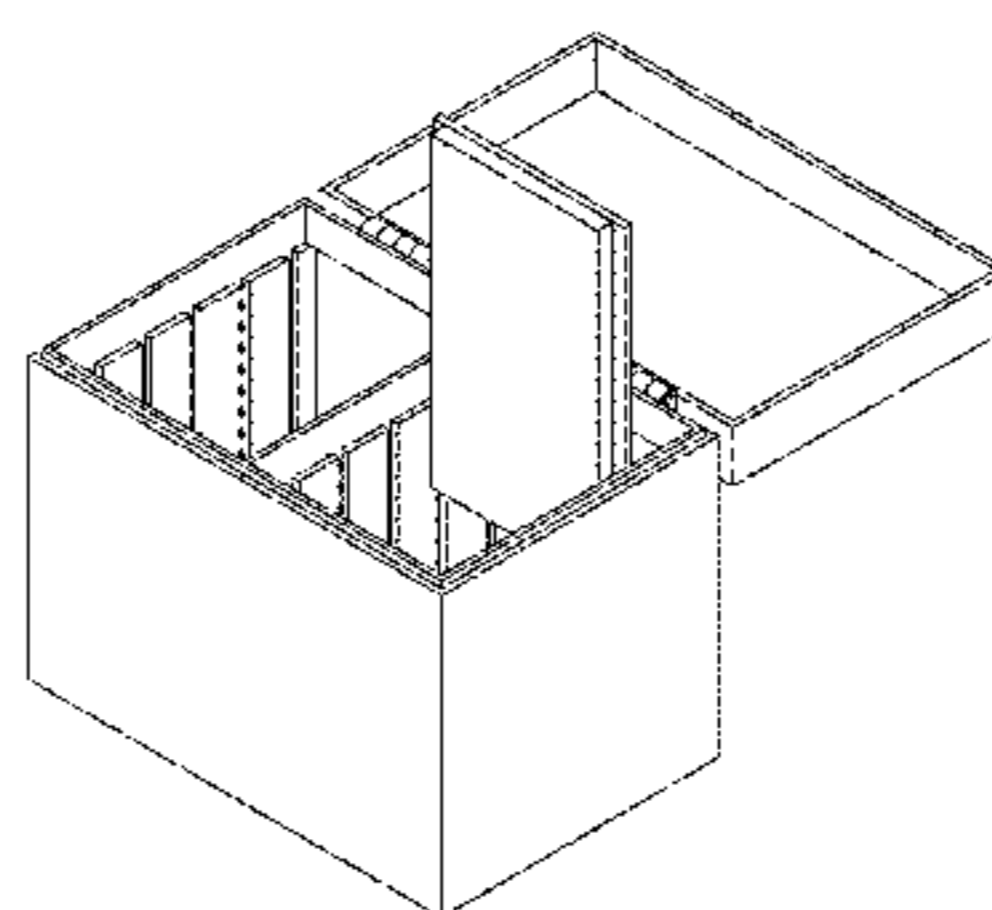
(57) **CLAIM**

The ornamental design for a storage box for false eyelash tiles, as shown and described.

DESCRIPTION

FIG. 1 is a front view of a storage box for false eyelash tiles; FIG. 2 is a side view thereof, the other side being a mirror image;
FIG. 3 is a rear view thereof;
FIG. 4 is a top view thereof;
FIG. 5 is a bottom view thereof;
FIG. 6 is a front, top perspective view thereof;
FIG. 7 is a bottom, rear perspective view thereof;
FIG. 8 is a front view thereof, shown in an open configuration;
FIG. 9 is a side view thereof, the other side being a mirror image;
FIG. 10 is a rear view thereof;
FIG. 11 is a top view thereof, shown with a false eyelash storage tile;
FIG. 12 is a bottom view thereof;
FIG. 13 is a front, top perspective view thereof;
FIG. 14 is another front, top perspective view thereof, shown with the false eyelash storage tile in a different position;
FIG. 15 is rear, bottom perspective view thereof;
FIG. 16 is a top view of the storage box, shown separately for completeness of illustration;
FIG. 17 is a front, top perspective view thereof;
FIG. 18 is a is a front perspective view of the false eyelash storage tile, shown separately for completeness of illustration;
FIG. 19 is a front view thereof;
FIG. 20 is a side view thereof;
FIG. 21 is a rear view thereof; and,
FIG. 22 is a top view thereof.
The claimed surface indicia, including text and numerals, that is shown in FIGS. 18 and 19 is not shown in FIGS. 13 and 14 merely because of the small scale of those figures.

1 Claim, 22 Drawing Sheets



(58) **Field of Classification Search**

USPC D21/478-480; 118/503; 211/120;
 206/456, 425, 561, 745, 776, 782;
 53/475; 40/735, 743, 765, 766, 790, 737,
 40/700-703, 709, 720, 768, 777, 797-799
 CPC G11B 23/0236; G11B 33/0438; G11B
 33/0455; B42F 17/12; B42F 7/145; A41G
 5/02; B25H 3/00; B65D 25/02; B65D
 25/04; B65D 25/107; G02B 21/34
 See application file for complete search history.

(56) **References Cited**

U.S. PATENT DOCUMENTS

3,410,391 A * 11/1968 Kanter B65D 25/02
 206/1.5
 3,554,429 A * 1/1971 Cohen B65D 5/48046
 206/456
 3,710,900 A * 1/1973 Fink A45C 13/02
 190/110
 D230,528 S * 2/1974 Berkman D6/631
 4,003,468 A * 1/1977 Berkman G11B 23/0236
 190/28
 4,023,691 A * 5/1977 Perel H01L 21/67313
 206/454
 D249,743 S * 9/1978 Berkman D3/284
 4,914,545 A * 4/1990 Price F21V 23/04
 362/155
 4,927,016 A * 5/1990 Fuller A01K 97/06
 206/315.11
 D311,800 S * 10/1990 Kiiski D3/304
 5,103,986 A * 4/1992 Marlowe G11B 23/0236
 206/387.15
 D330,975 S * 11/1992 Stafford D3/270
 5,238,112 A * 8/1993 Massey B65D 11/18
 206/387.15
 5,299,688 A * 4/1994 McKay B42F 17/02
 206/425
 D347,338 S * 5/1994 Randle D6/661
 D357,807 S * 5/1995 Meyer D3/276
 5,544,742 A * 8/1996 Li G11B 33/0438
 206/307
 5,716,117 A * 2/1998 Yu G11B 33/0455
 206/308.1
 D394,874 S * 6/1998 Aguilar D19/26
 5,934,463 A * 8/1999 Yu G11B 33/0438
 206/307.1
 5,941,388 A * 8/1999 Spielberg B65D 25/107
 206/419

D414,334 S * 9/1999 Remington D3/276
 D422,846 S * 4/2000 Swick D7/601
 D433,842 S * 11/2000 Hawang D6/671
 6,224,173 B1 * 5/2001 Yu A47B 87/007
 206/308.1
 6,305,543 B1 * 10/2001 Lafond G02B 21/34
 206/425
 D450,971 S * 11/2001 Lee D6/630
 6,533,166 B1 * 3/2003 Kaiss B42F 17/02
 206/425
 6,557,710 B1 * 5/2003 Levine G11B 23/0236
 211/40
 6,997,310 B1 * 2/2006 Fenley B42F 7/145
 206/214
 7,520,386 B1 * 4/2009 Griffin B25H 3/00
 206/303
 D607,209 S * 1/2010 Boggi D3/295
 8,006,842 B1 * 8/2011 Loughlin, Jr. B65D 1/36
 206/449
 D675,908 S * 2/2013 Neuhaus D9/414
 D702,939 S * 4/2014 Thurston D3/274
 D734,611 S * 7/2015 Baruch D3/313
 2001/0030137 A1 * 10/2001 Ishii G11B 33/0438
 206/308.1
 2004/0124162 A1 * 7/2004 Yi G11B 33/0455
 211/40
 2009/0032428 A1 * 2/2009 Laipply B01L 9/52
 206/456
 2018/0065779 A1 * 3/2018 Chiba B65D 25/10

FOREIGN PATENT DOCUMENTS

GB 6013835 * 6/2017
 GB 6013836 * 6/2017
 GB 6013837 * 6/2017

OTHER PUBLICATIONS

Bellestore Fransbox med 10 plattor, available Jun. 25, 2018, [online], [site visited Jun. 25, 2018]. Available from internet, <URL: <https://bellestore.se/no/oyevipper/forvaring/lashplate/fransbox-med-10-plattor/> (Year: 2018).*

Exotique Lash Tray Storage Chest, available Mar. 10, 2018, [online], [site visited Jun. 25, 2018]. Available from internet, <URL: <https://web.archive.org/web/20180310202438/https://exotiquelashes.com.au/products/lash-tray-storage-chest-10-tiles> (Year: 2018).*

Lash Tribe Organiser, available Aug. 23, 2017, [online], [site visited Jun. 25, 2018]. Available from internet, <URL: <https://lashtribe.com.au/shop/sets/lash-tribe-lash-organizer/> (Year: 2017).*

* cited by examiner

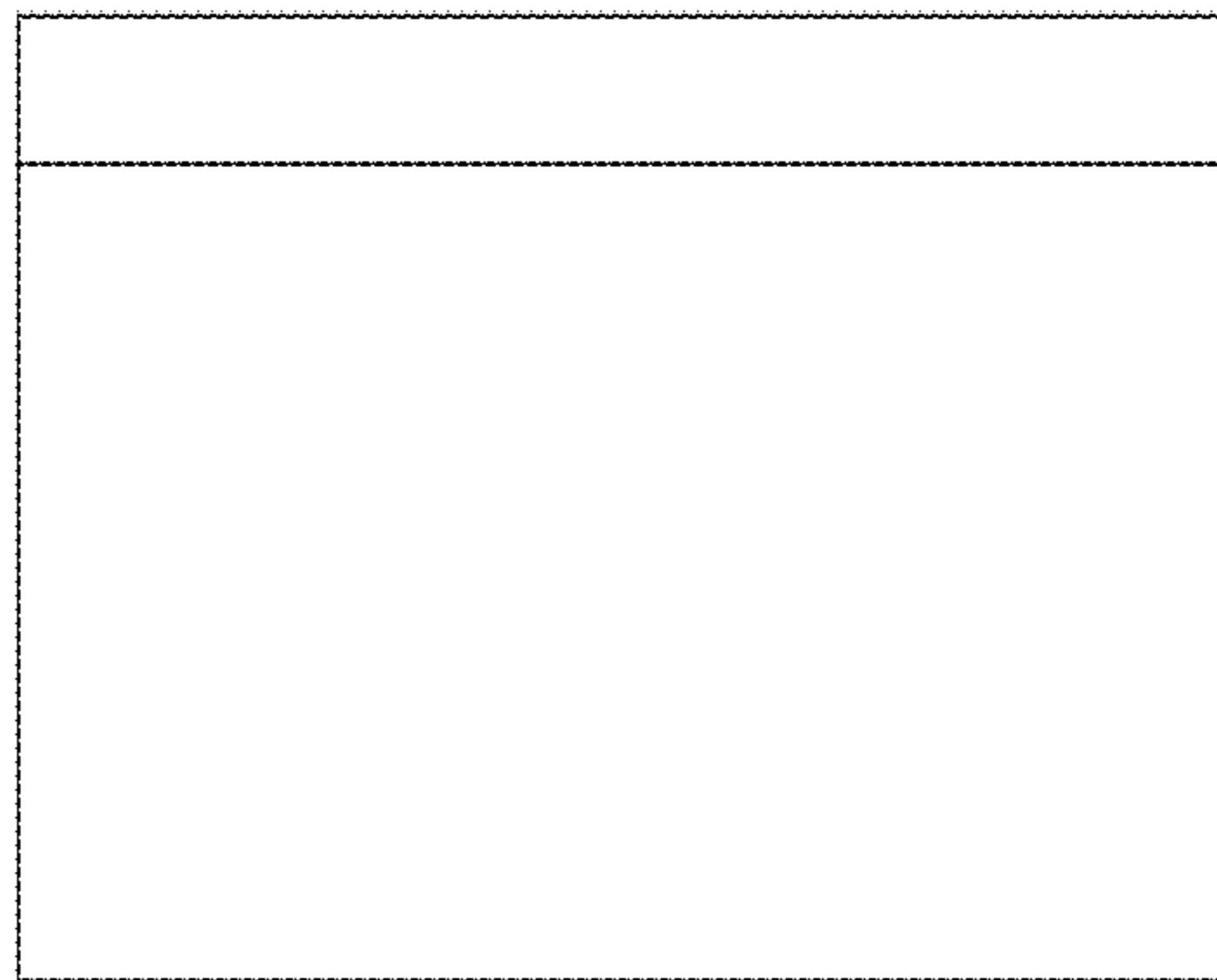


FIG. 1

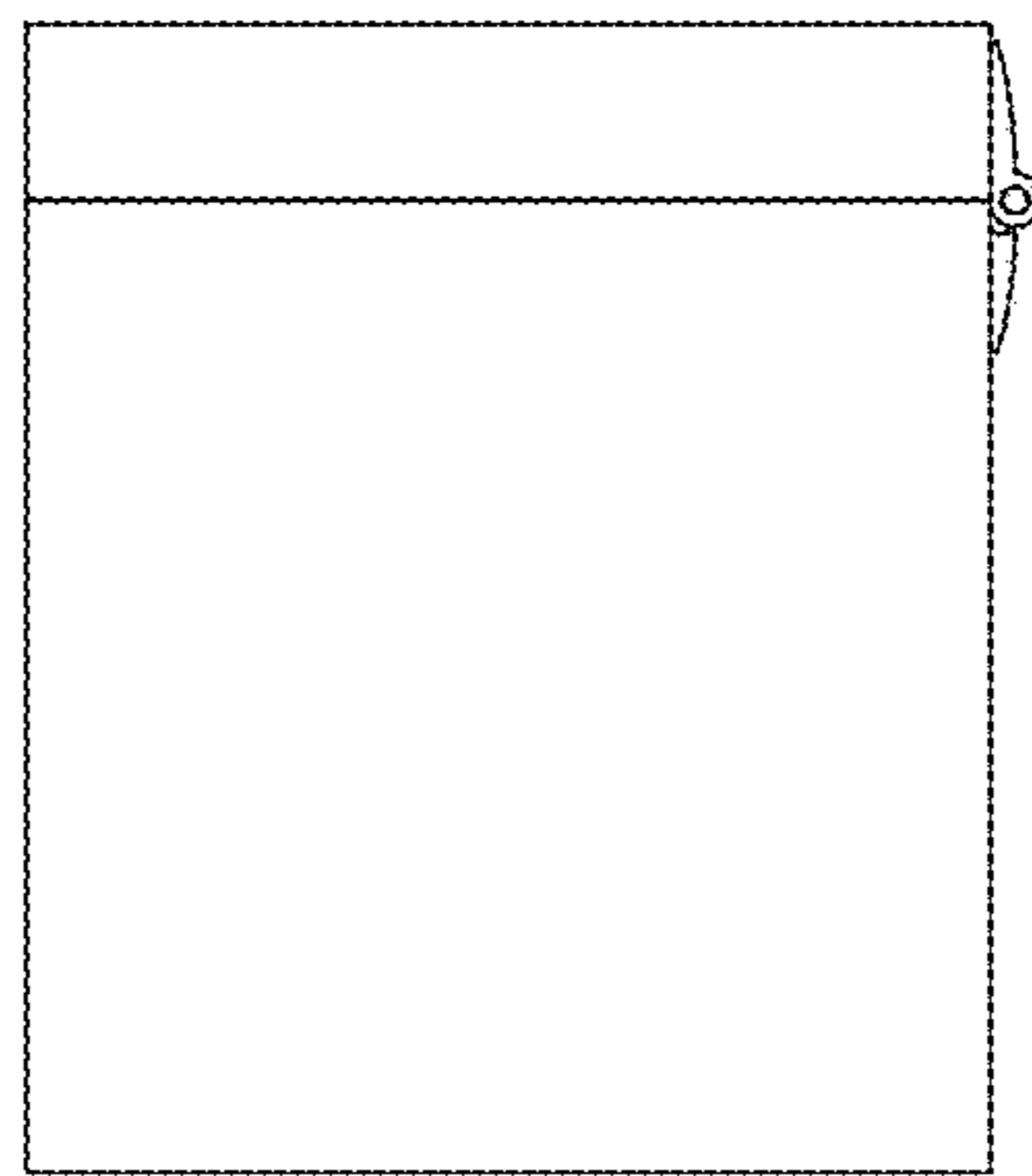


FIG. 2

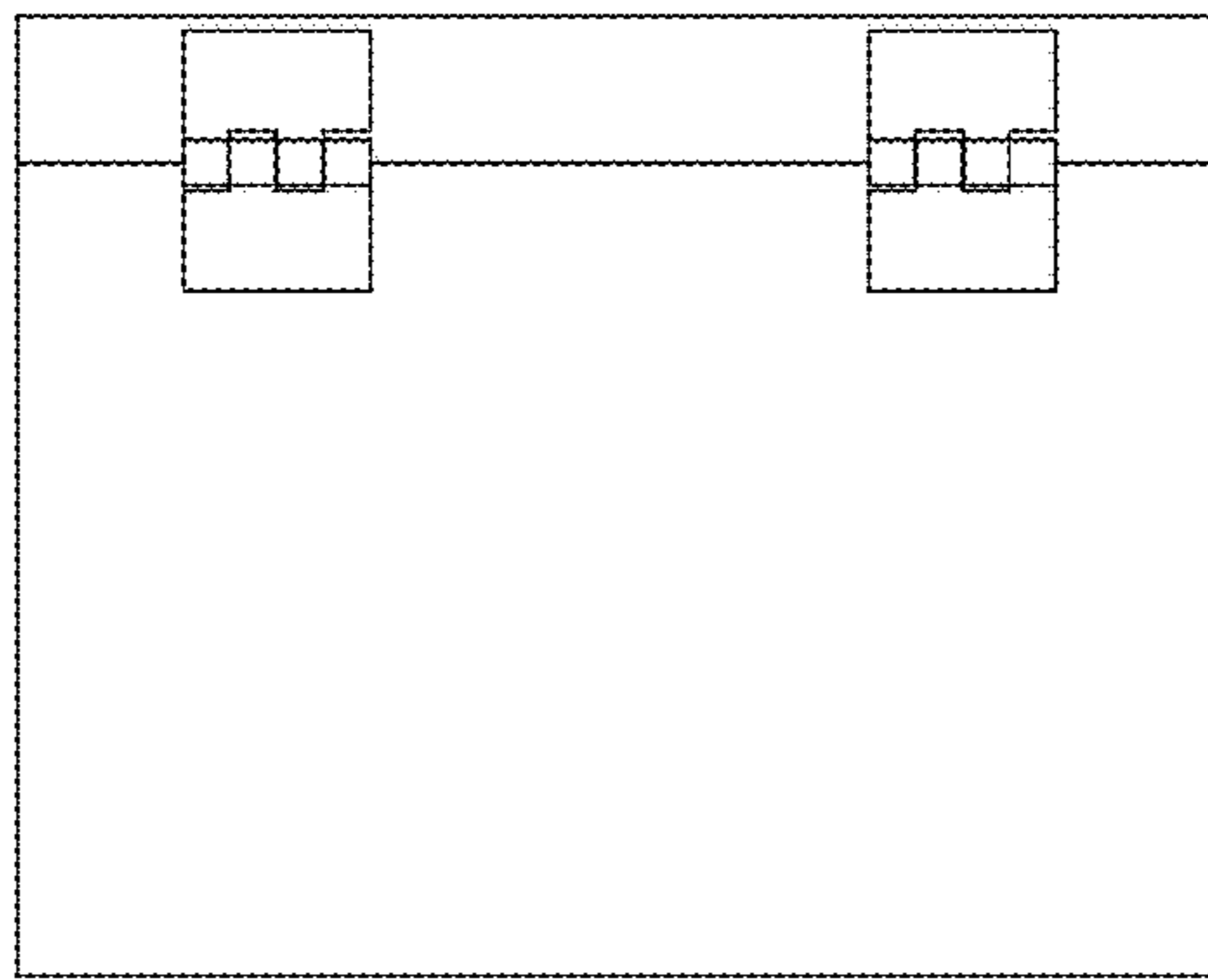


FIG. 3

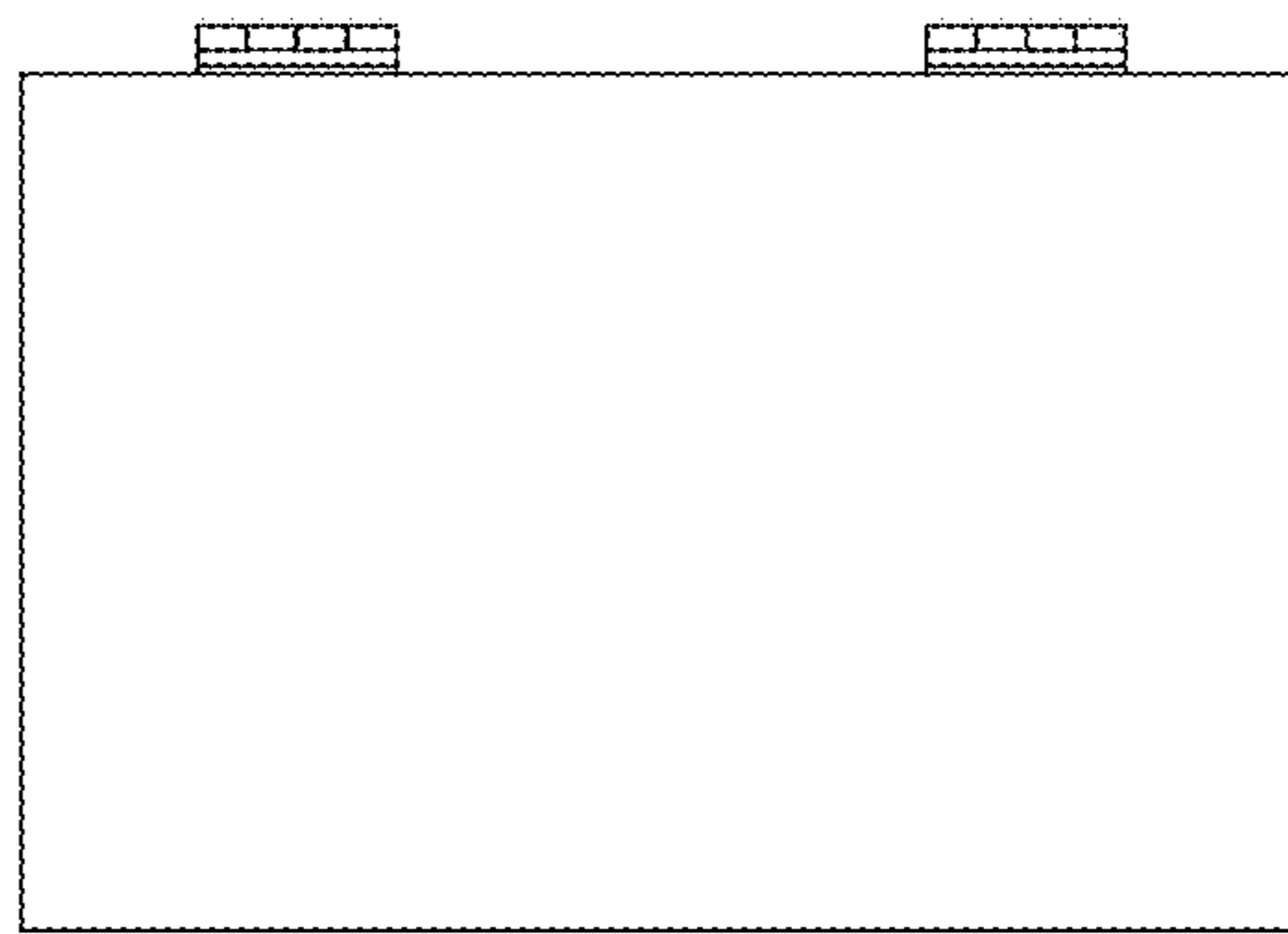


FIG. 4

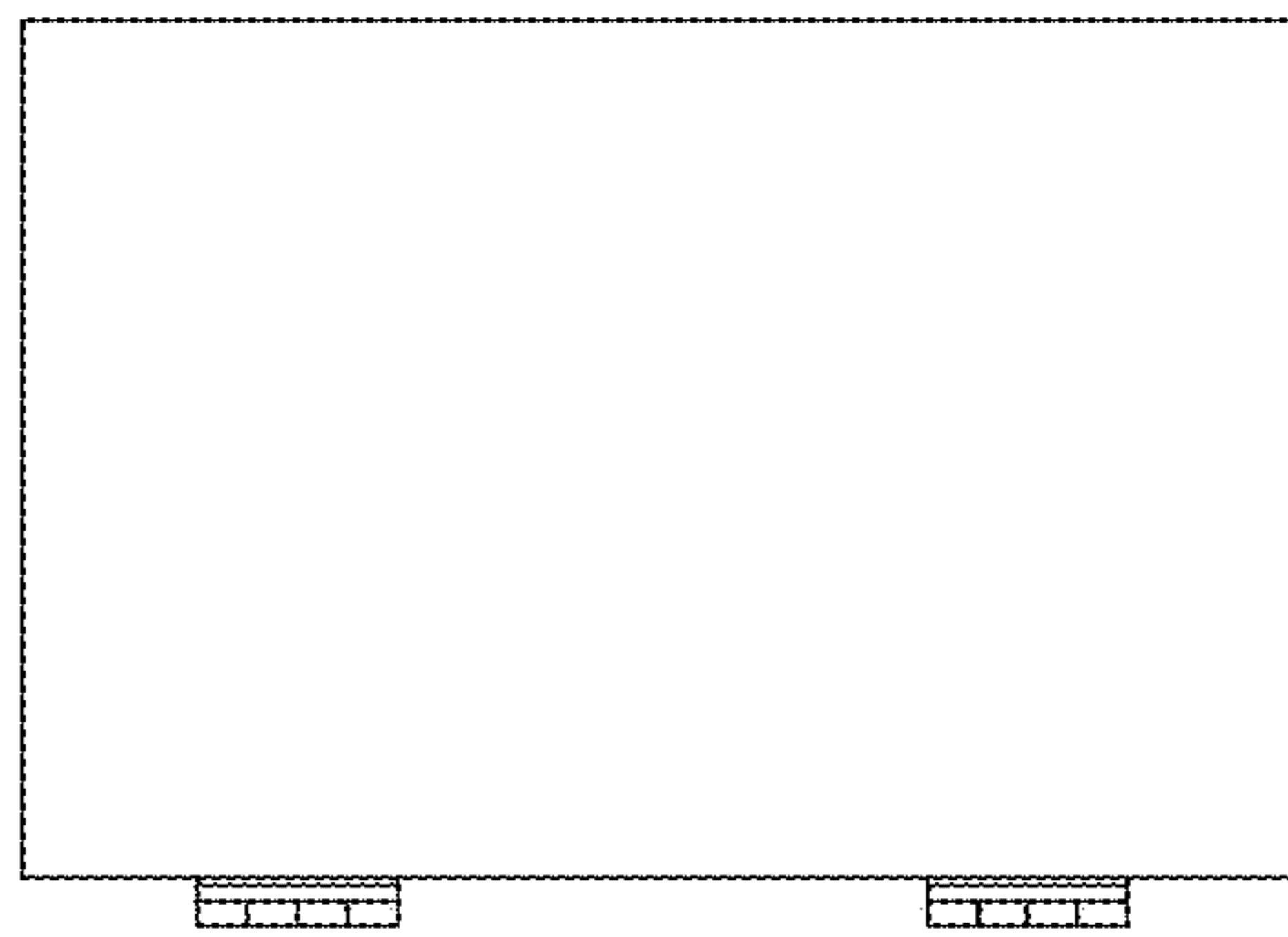


FIG. 5

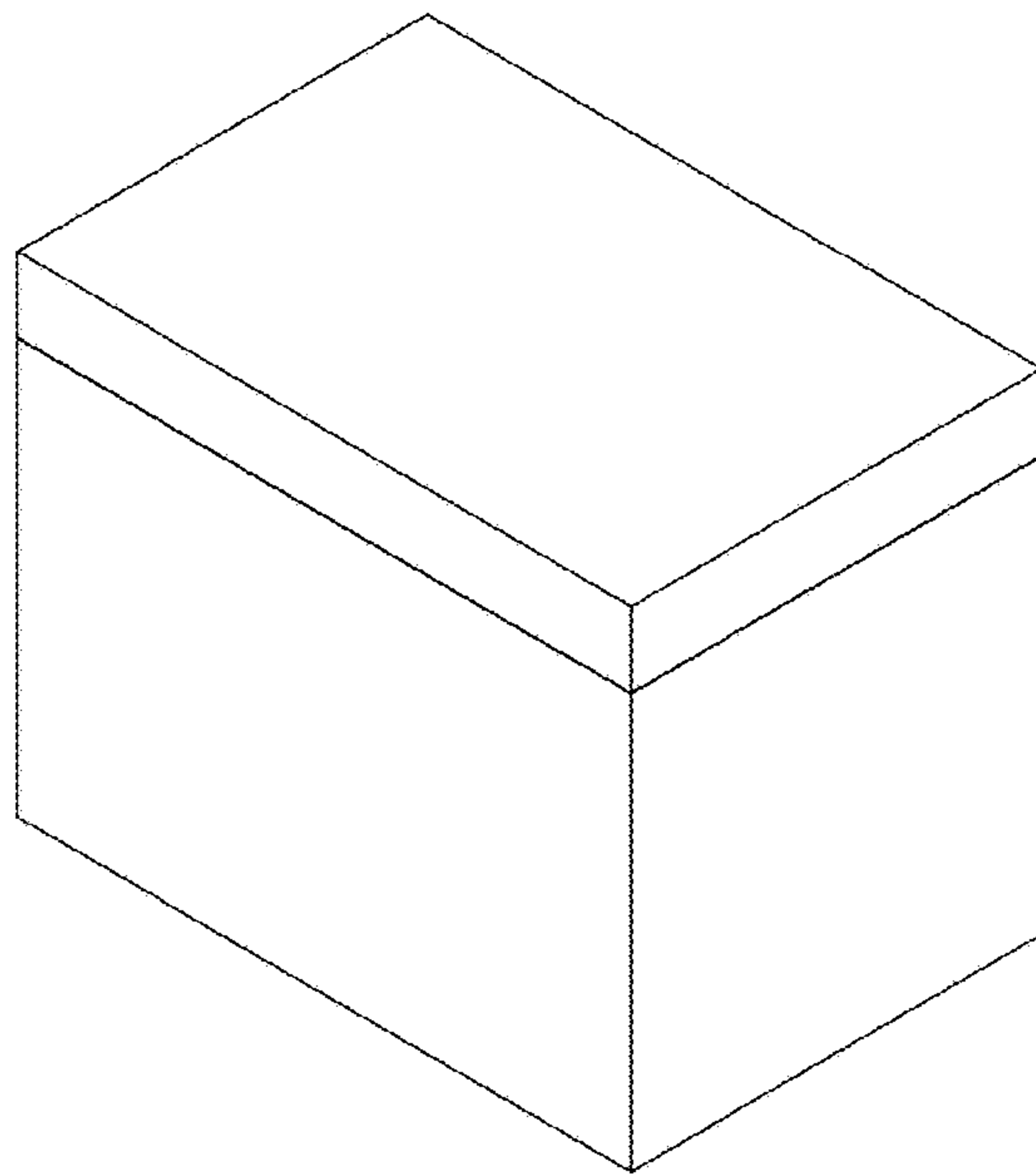


FIG. 6

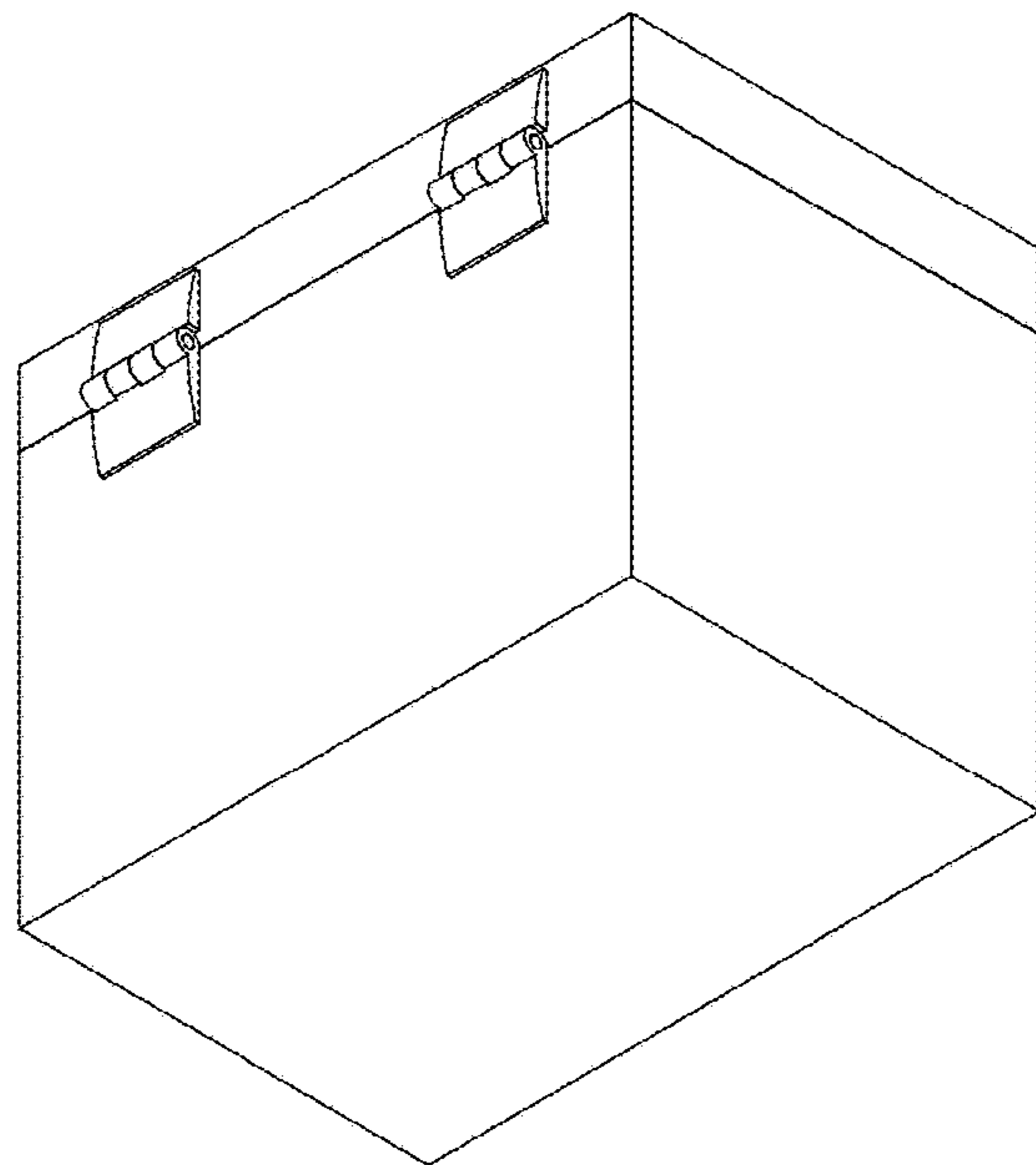


FIG. 7

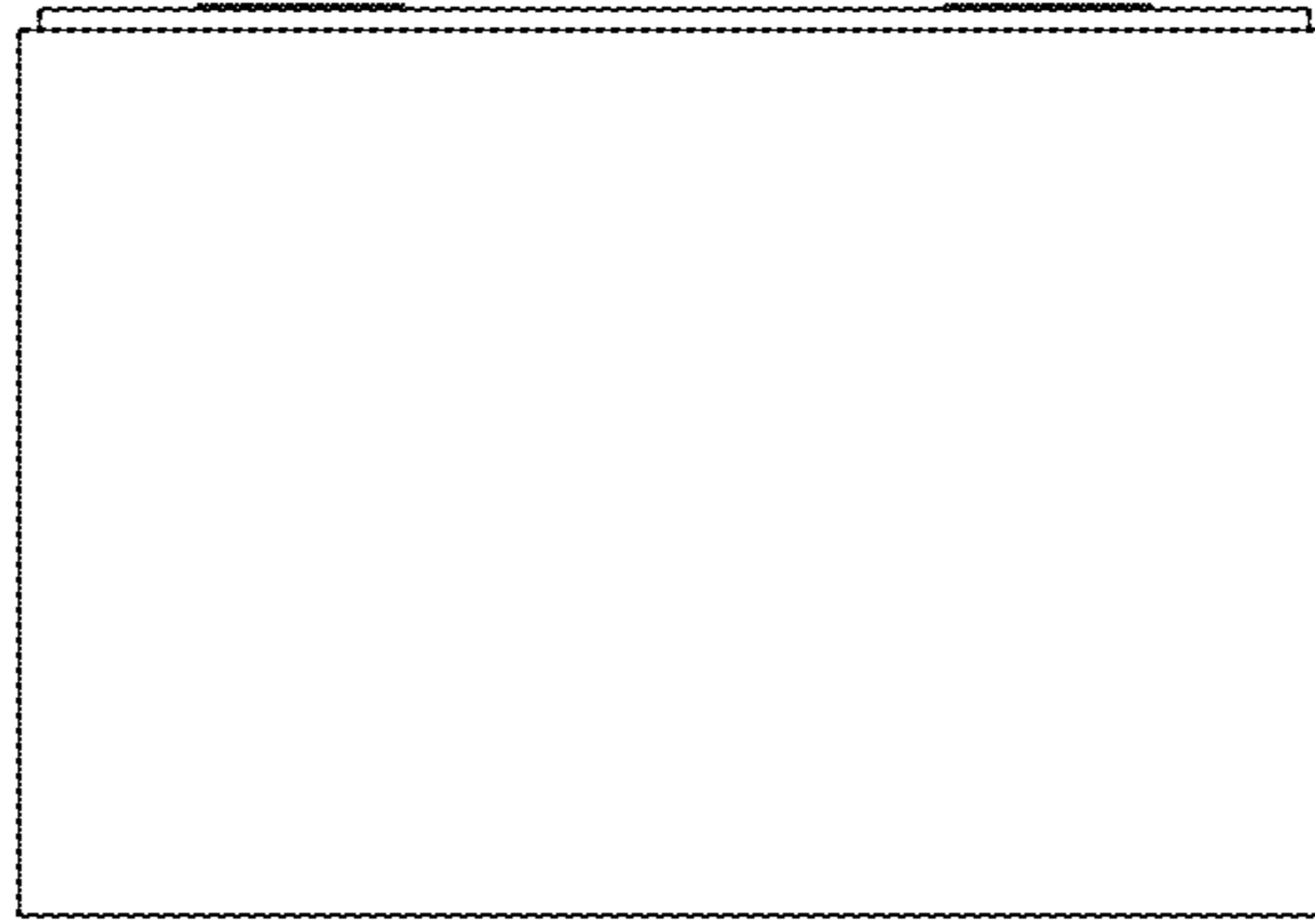


FIG. 8

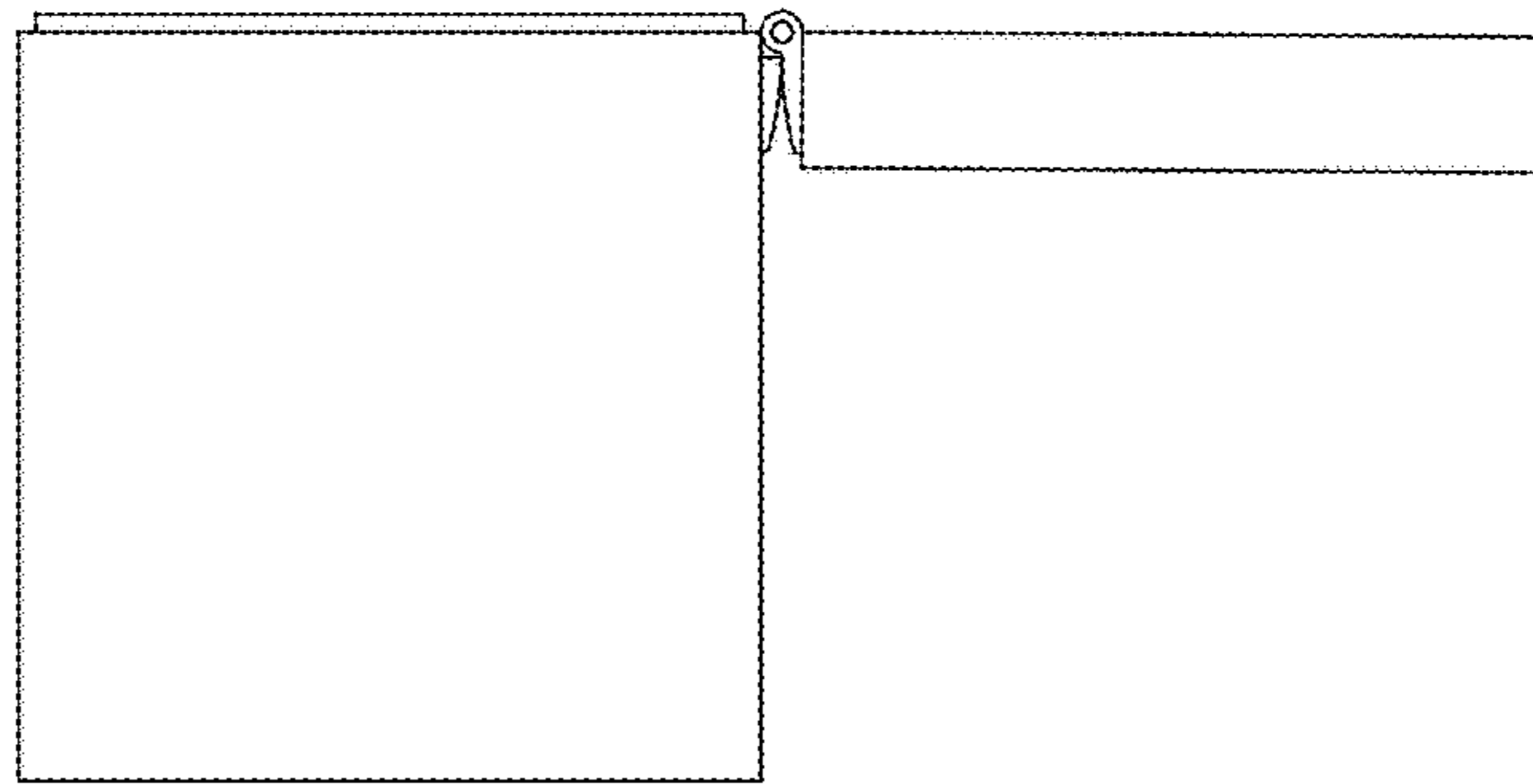


FIG. 9

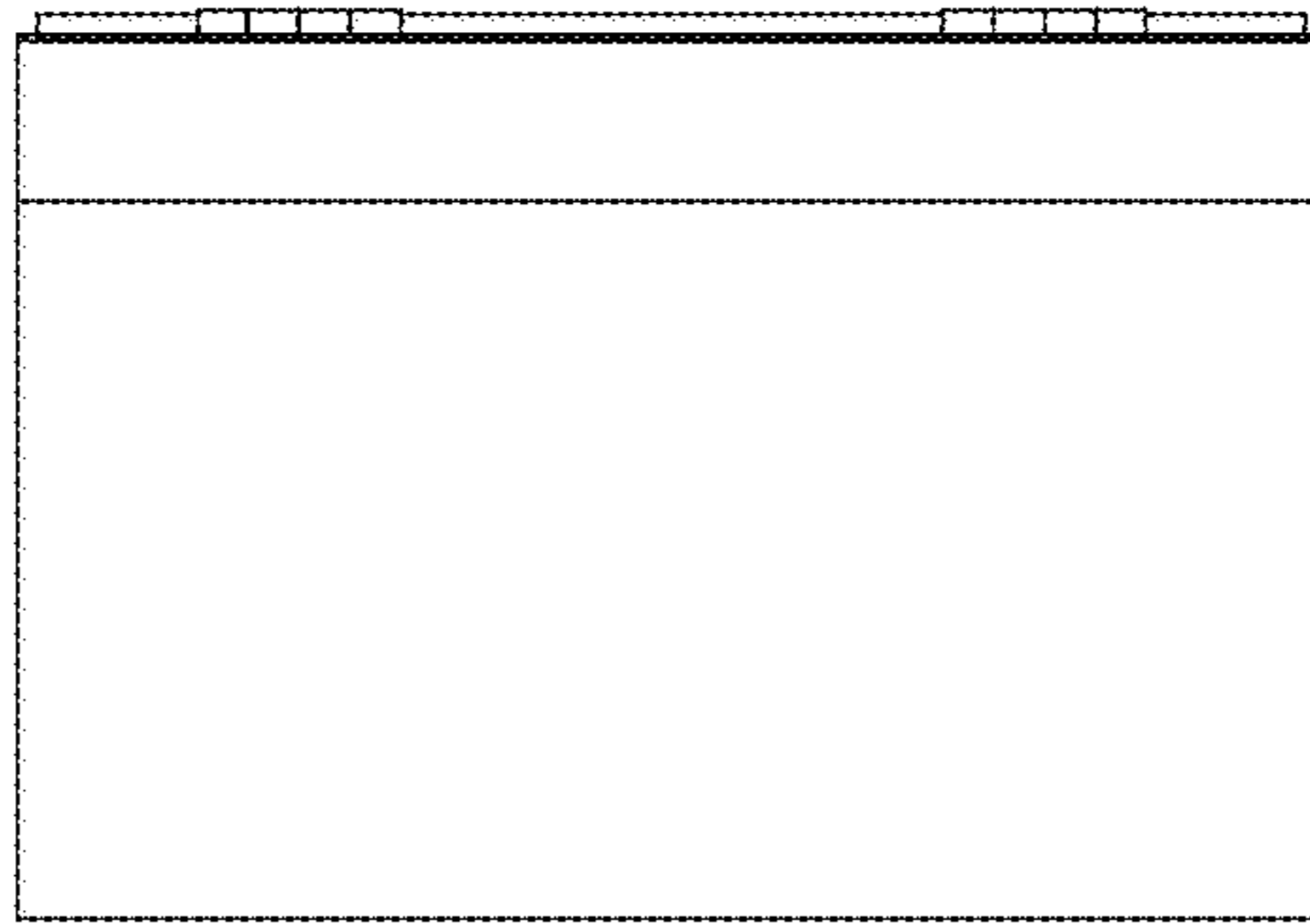


FIG. 10

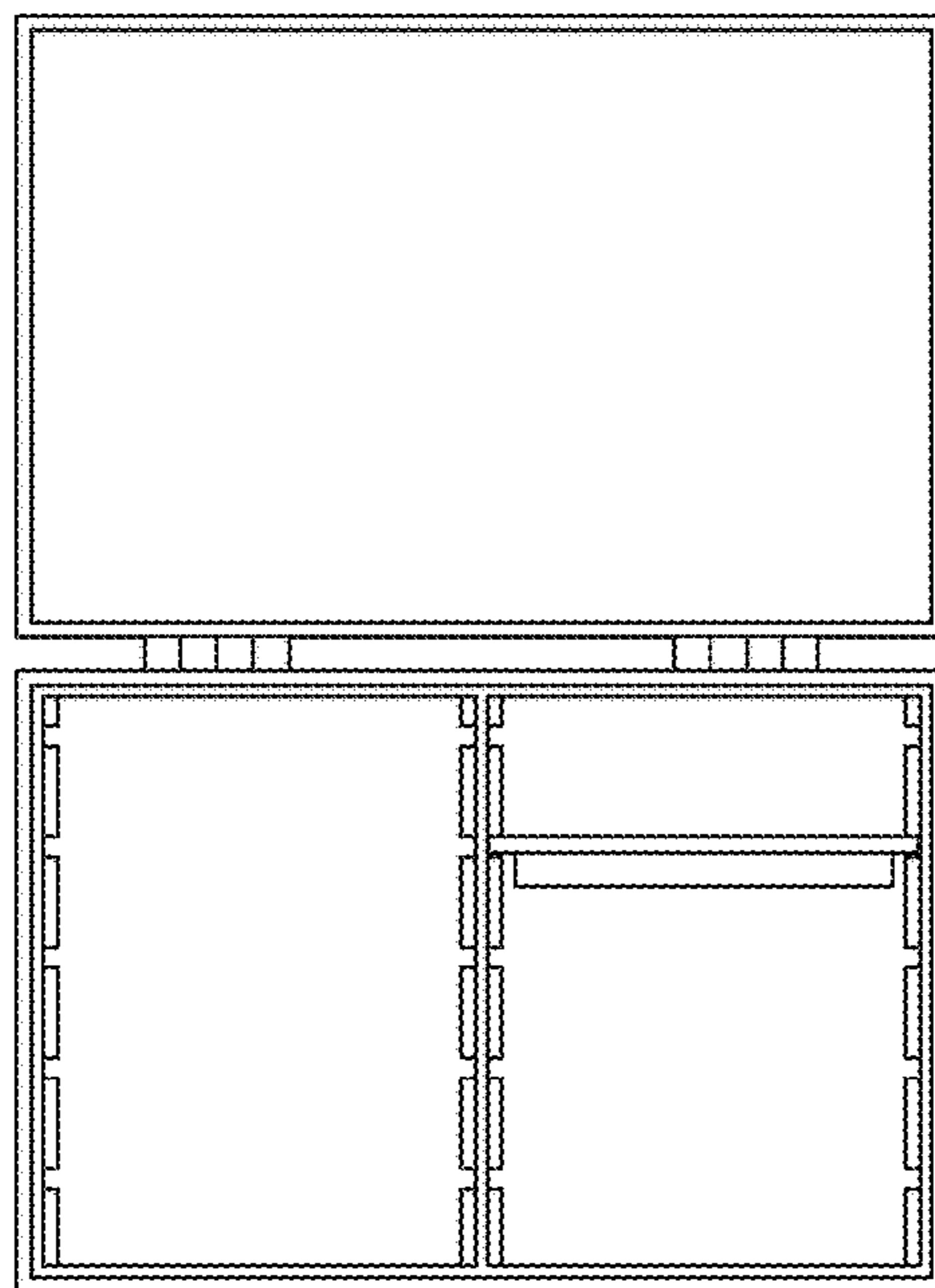


FIG. 11

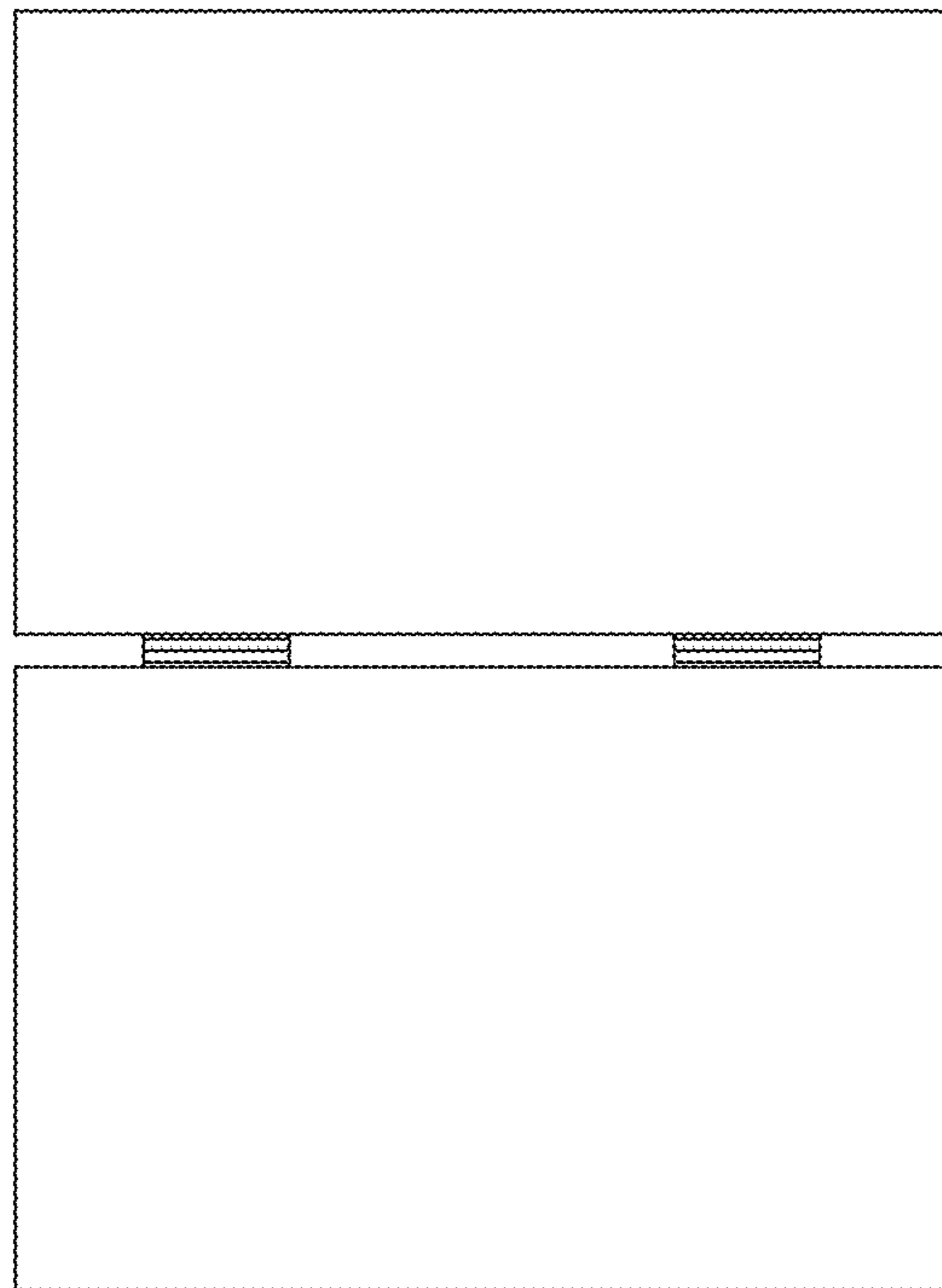


FIG. 12

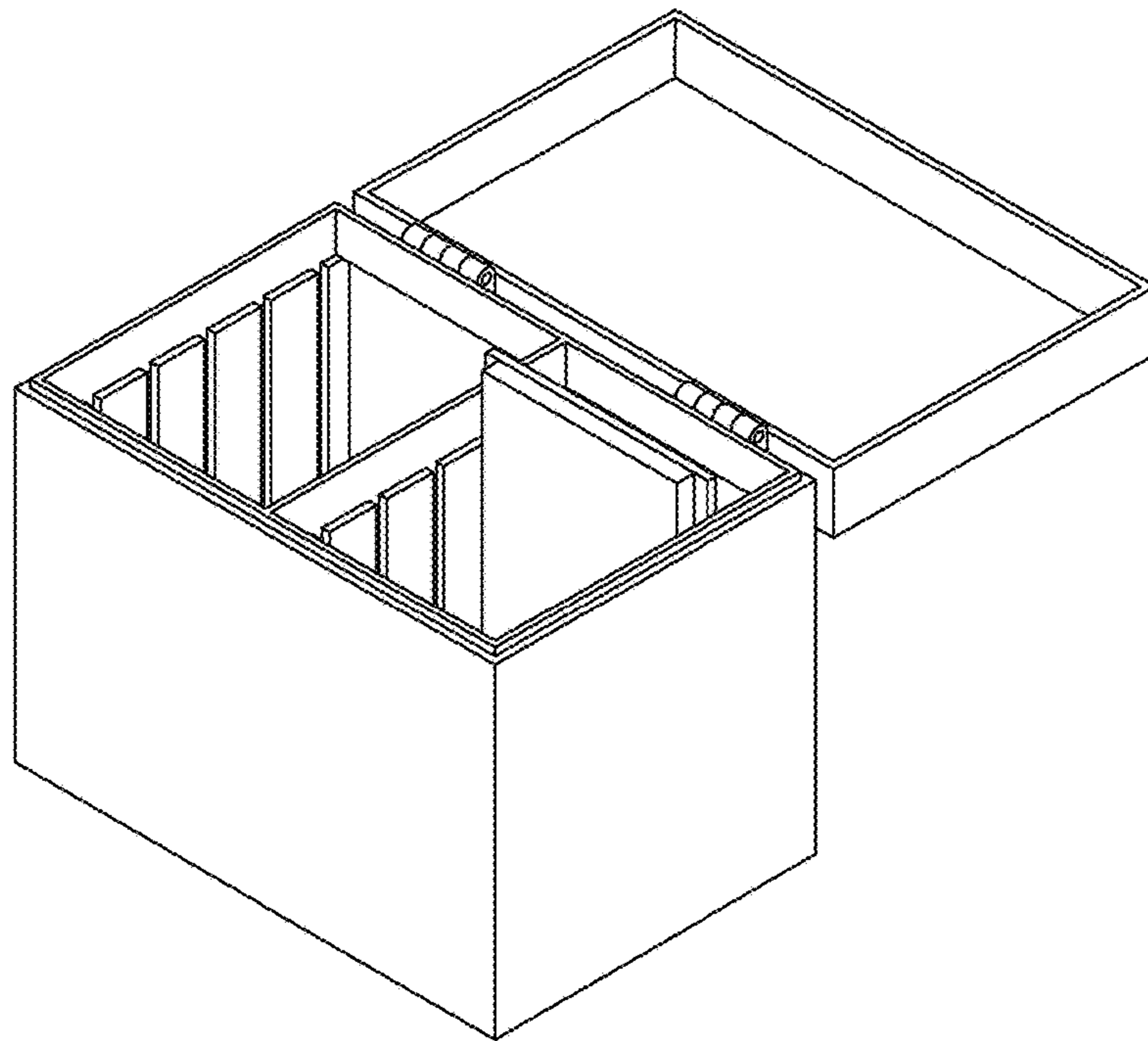


FIG. 13

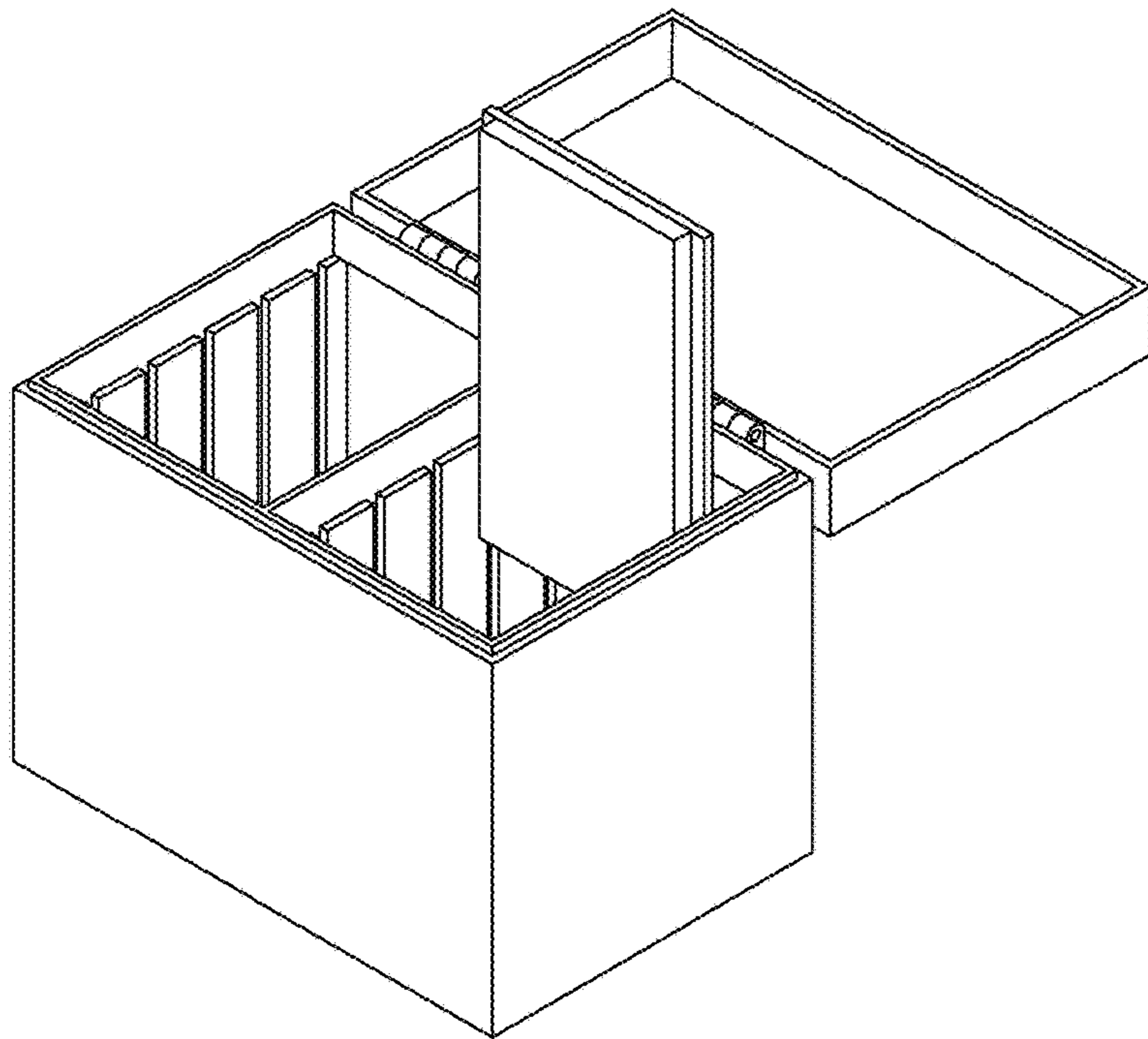


FIG. 14

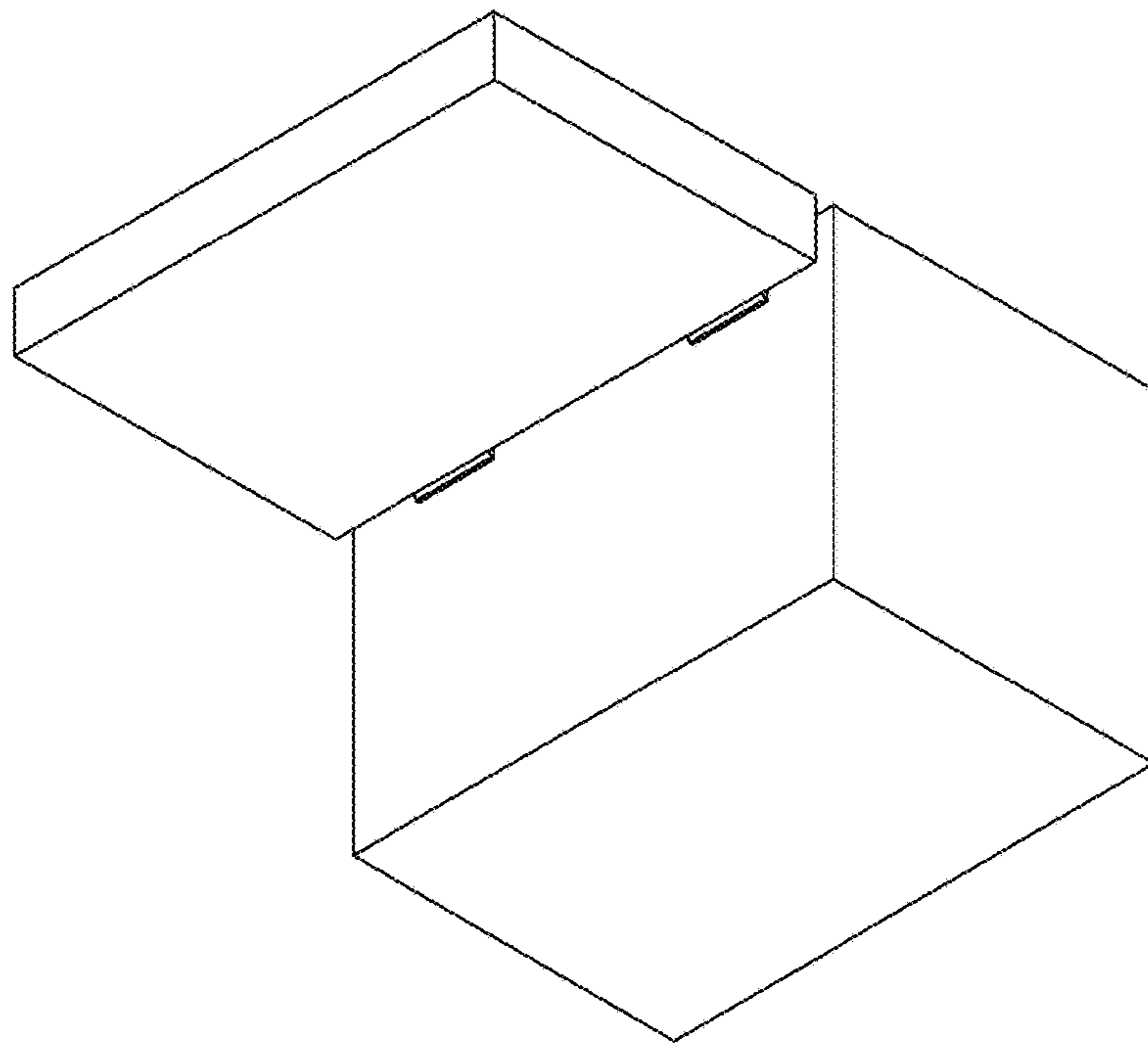


FIG. 15

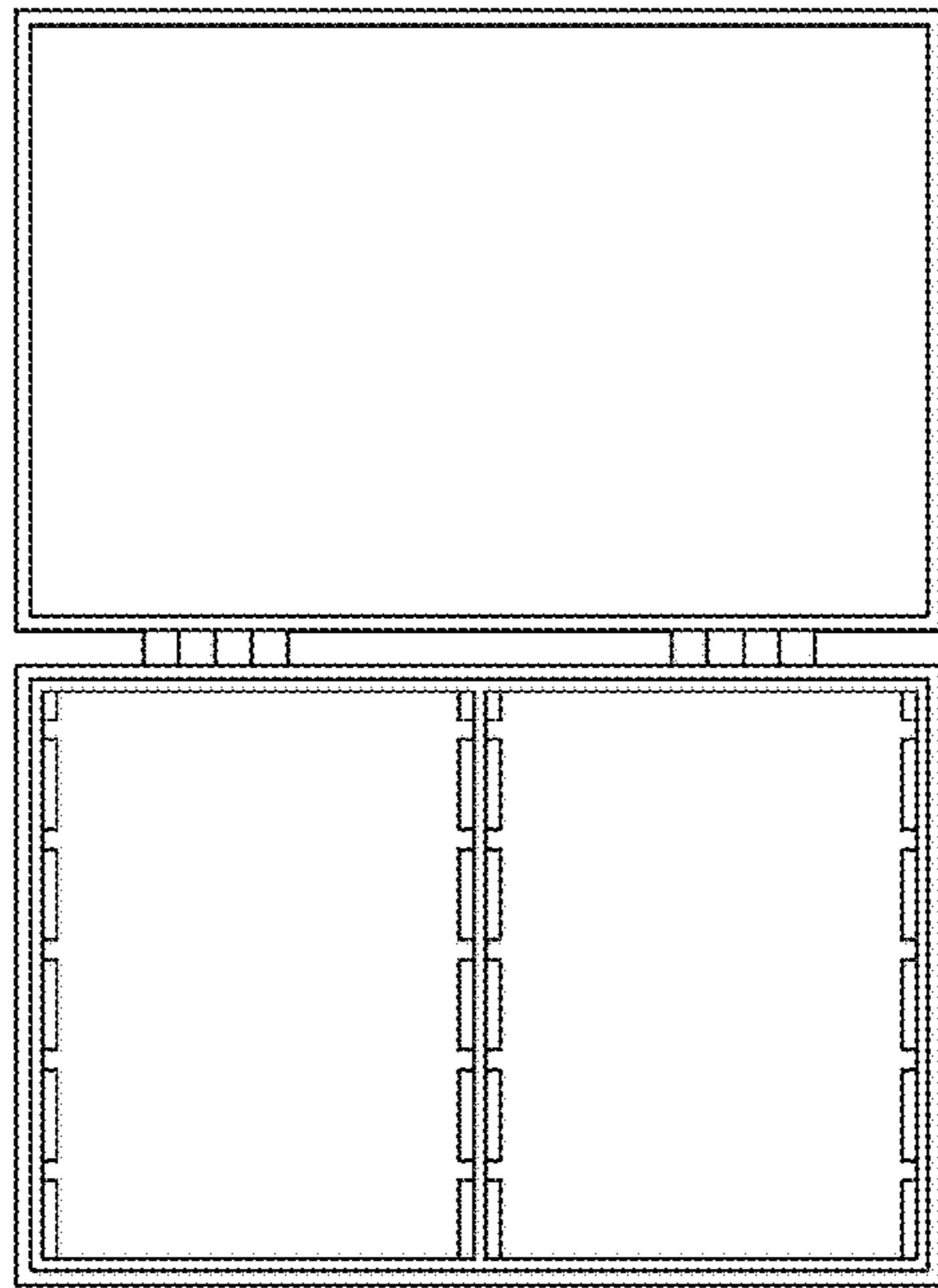


FIG. 16

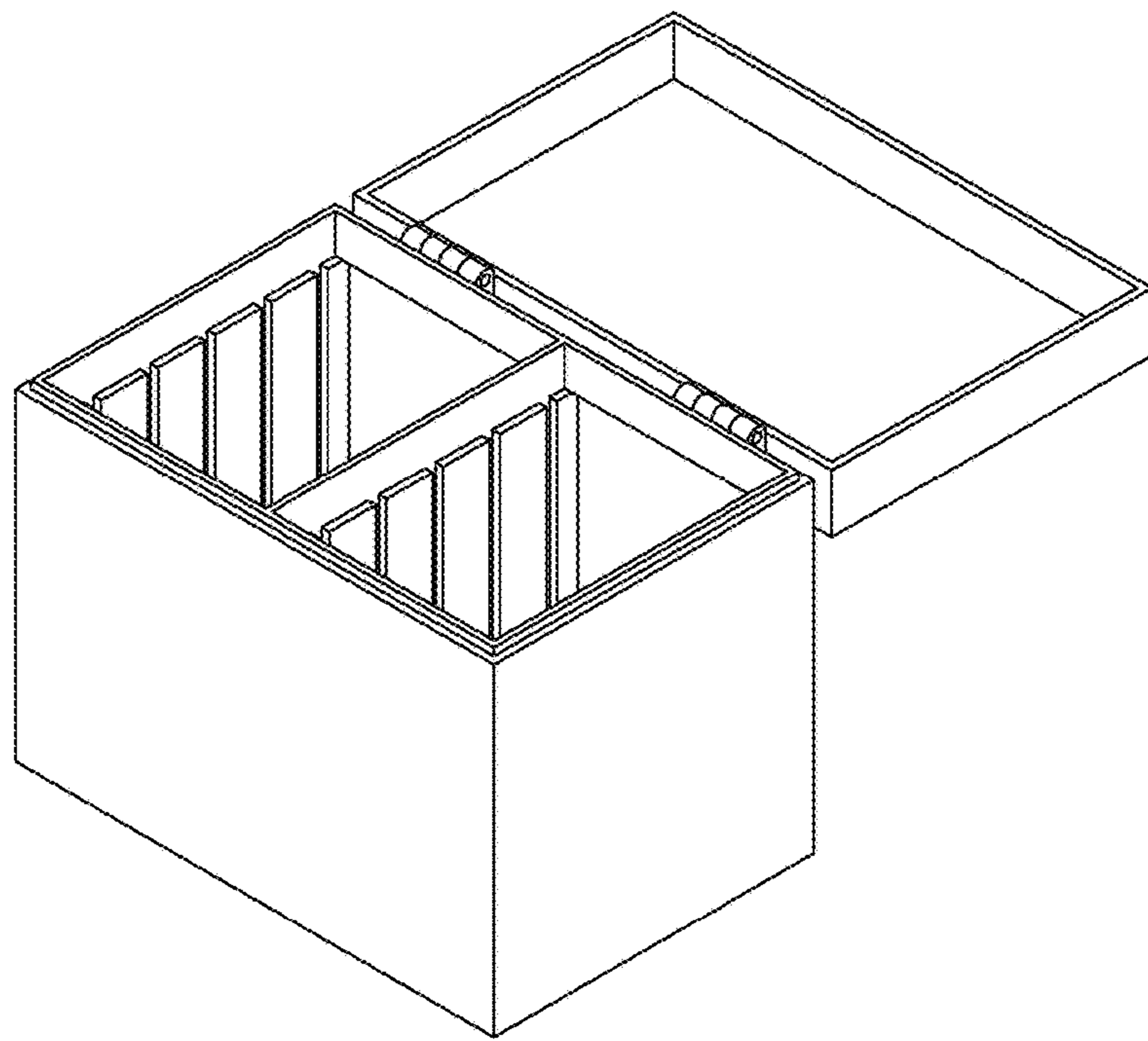


FIG. 17

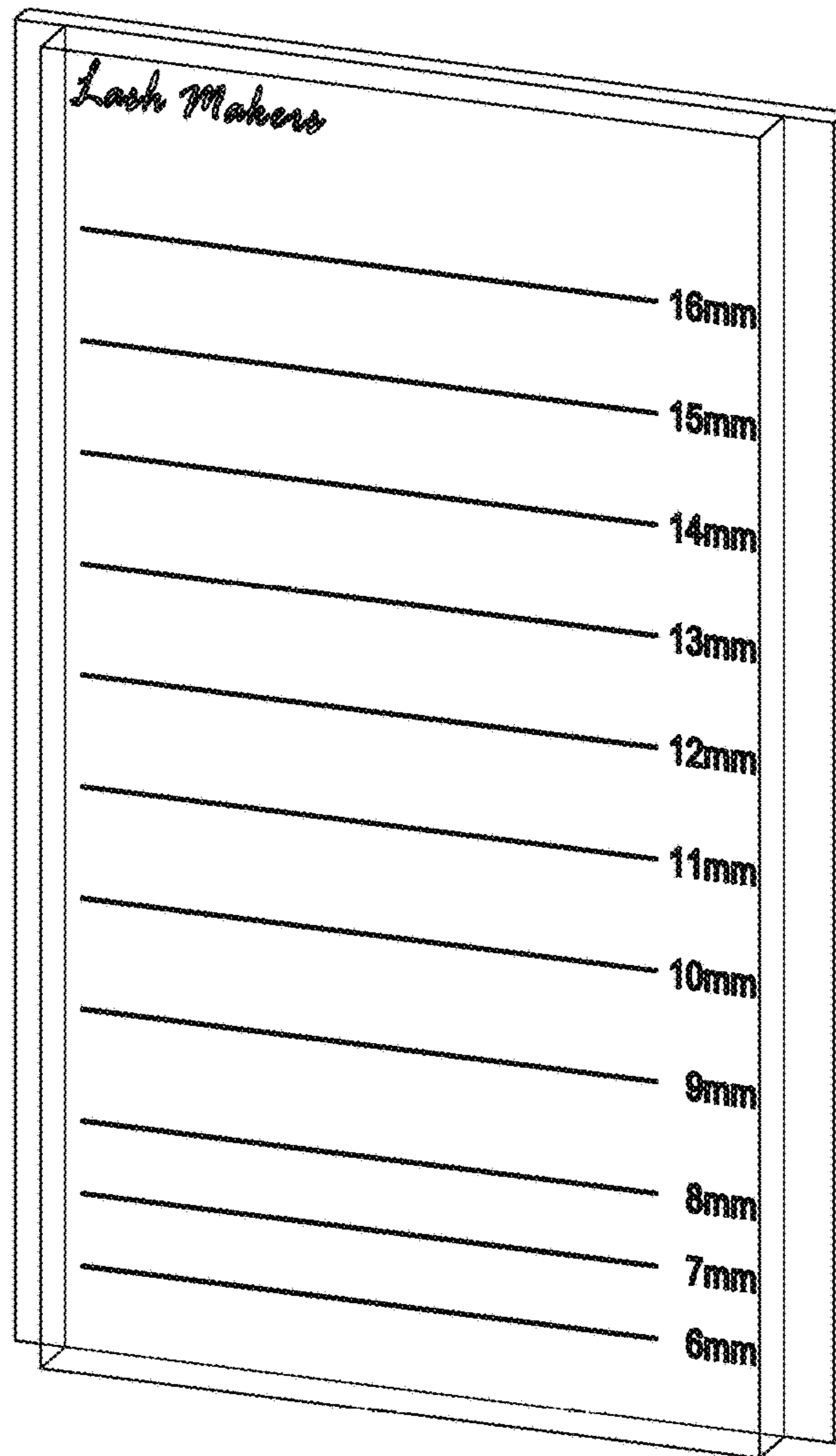


FIG. 18

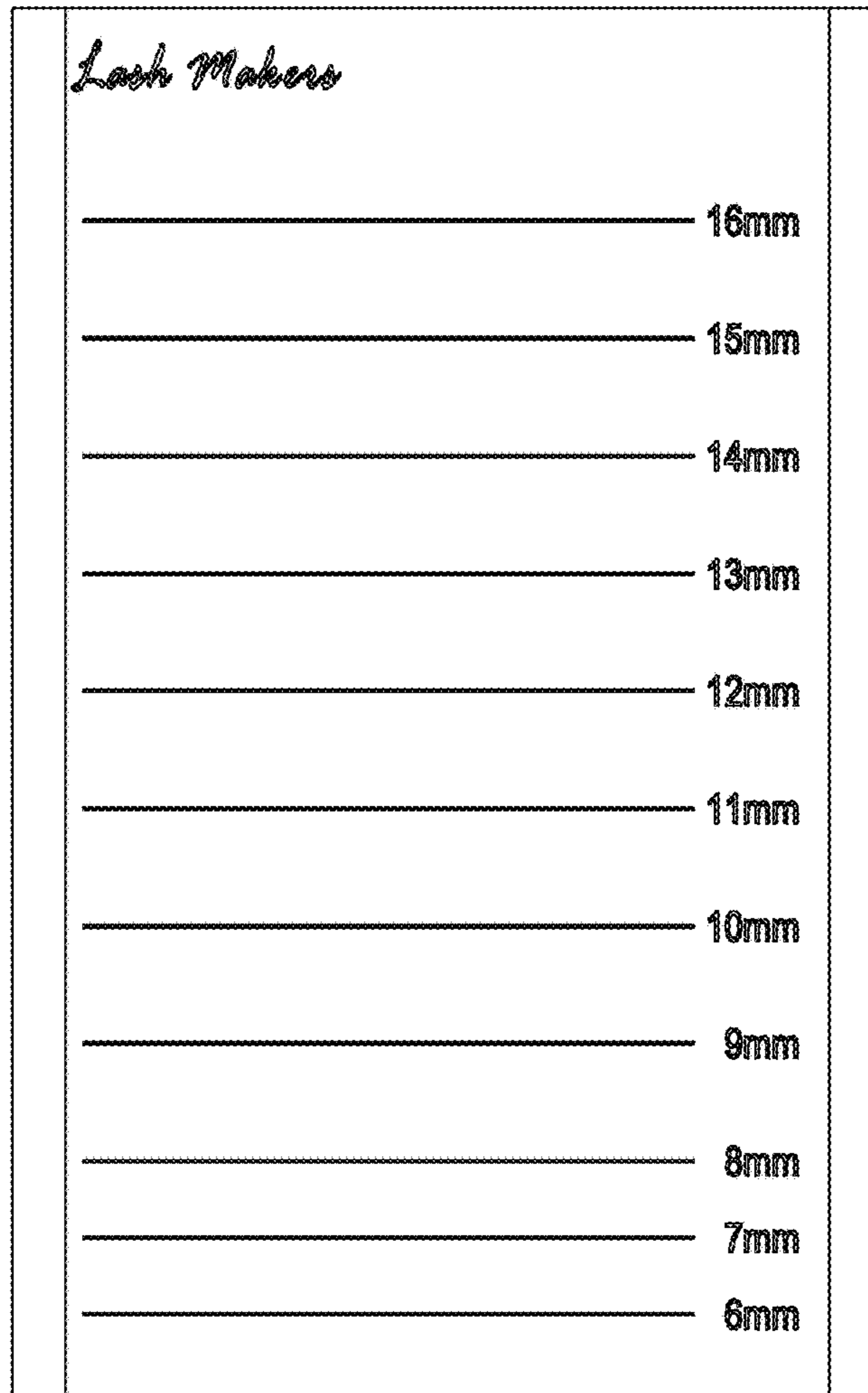


FIG. 19



FIG. 20

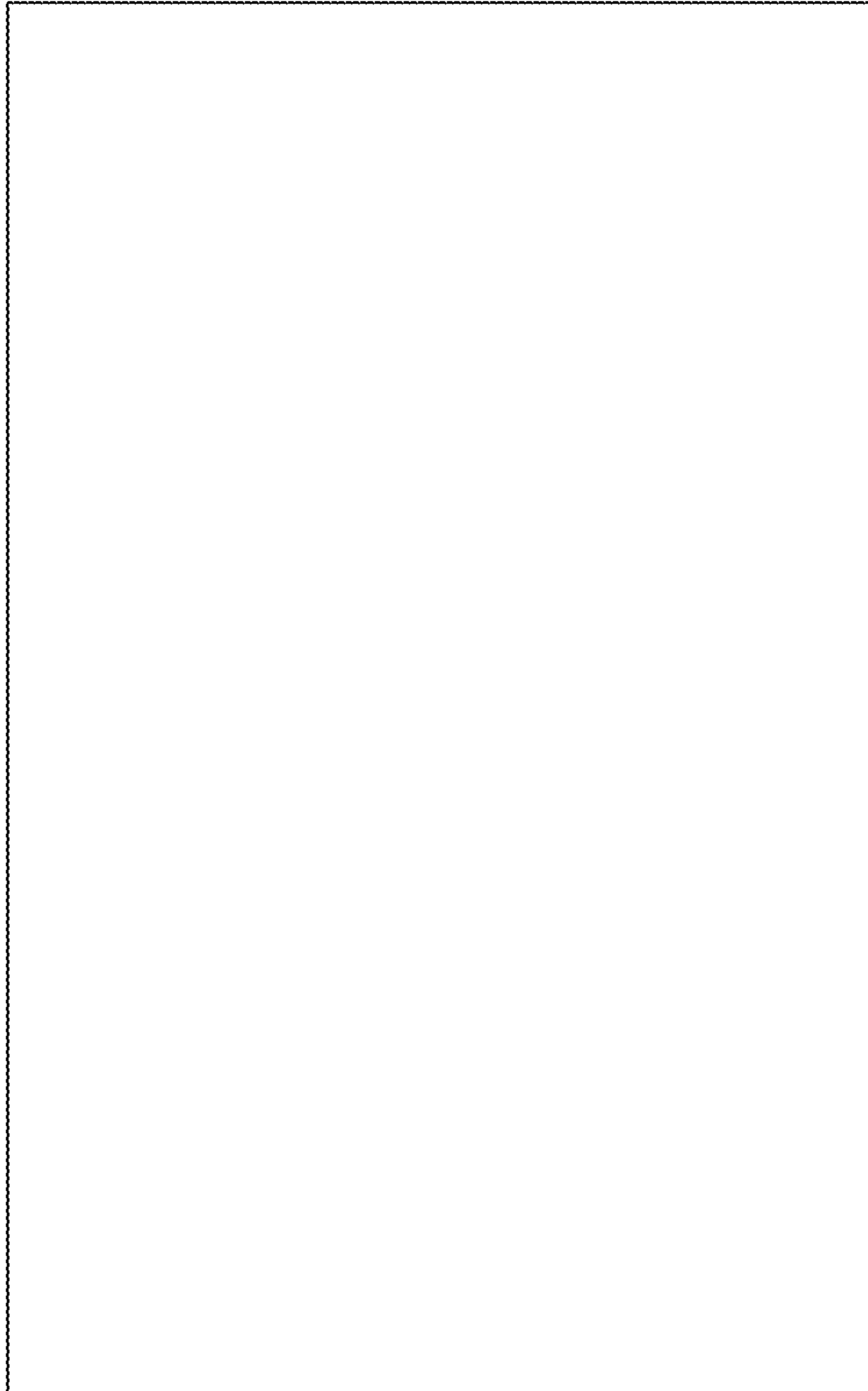


FIG. 21



FIG. 22