



US00D839594S

(12) **United States Design Patent**  
**Molnar**

(10) **Patent No.:** **US D839,594 S**

(45) **Date of Patent:** **\*\* Feb. 5, 2019**

(54) **LIGHTABLE GYM BAG**

(71) Applicant: **Hollis Molnar**, Albany, OH (US)

(72) Inventor: **Hollis Molnar**, Albany, OH (US)

(\*\*) Term: **15 Years**

(21) Appl. No.: **29/609,513**

(22) Filed: **Jun. 30, 2017**

(51) **LOC (11) Cl.** ..... **03-01**

(52) **U.S. Cl.**

USPC ..... **D3/274; D3/254; D3/276; D3/289**

(58) **Field of Classification Search**

USPC ..... D3/201, 203.1, 205, 221, 226, 254, 276,  
D3/283, 285, 289, 303, 318

CPC .... A45C 3/00; A45C 5/00; A45C 7/00; A45C  
11/00; A45C 7/0022; A45C 5/06; A45C  
2200/00

See application file for complete search history.

(56) **References Cited**

**U.S. PATENT DOCUMENTS**

- 1,200,344 A \* 10/1916 Hanan ..... A45C 7/0022  
190/103
- 1,596,349 A \* 8/1926 Guenther ..... A45C 3/00  
190/119
- D267,522 S \* 1/1983 Stark ..... D3/289
- 4,561,525 A \* 12/1985 Shidner ..... A45C 3/00  
190/106
- D361,662 S \* 8/1995 King ..... D3/276
- D447,632 S \* 9/2001 Gisser ..... D3/276
- 6,338,180 B1 \* 1/2002 Massard ..... A45C 13/26  
16/110.1
- D465,924 S \* 11/2002 Gisser ..... D3/276
- D492,111 S \* 6/2004 Santy ..... D3/276

- D507,879 S \* 8/2005 Santy ..... D3/289
- D509,959 S \* 9/2005 Nykoluk ..... D3/289
- D528,792 S \* 9/2006 Marttila ..... D3/276
- D725,903 S \* 4/2015 Kuster ..... D3/245
- D800,443 S \* 10/2017 Burton ..... D3/203.1
- D800,444 S \* 10/2017 Burton ..... D3/203.1

\* cited by examiner

*Primary Examiner* — Mitchell I. Siegel

(74) *Attorney, Agent, or Firm* — Fay Sharpe LLP

(57) **CLAIM**

The ornamental design for a lightable gym bag of FIG. 1, as shown and described.

**DESCRIPTION**

FIG. 1 is a top perspective view of a lightable gym bag showing my new design;

FIG. 2 is a front elevational view of the lightable gym bag of FIG. 1;

FIG. 3 is a top plan view of the lightable gym bag of FIG. 1;

FIG. 4 is a bottom plan view of the lightable gym bag of FIG. 1;

FIG. 5 is a side plan view of the lightable gym bag of FIG. 1;

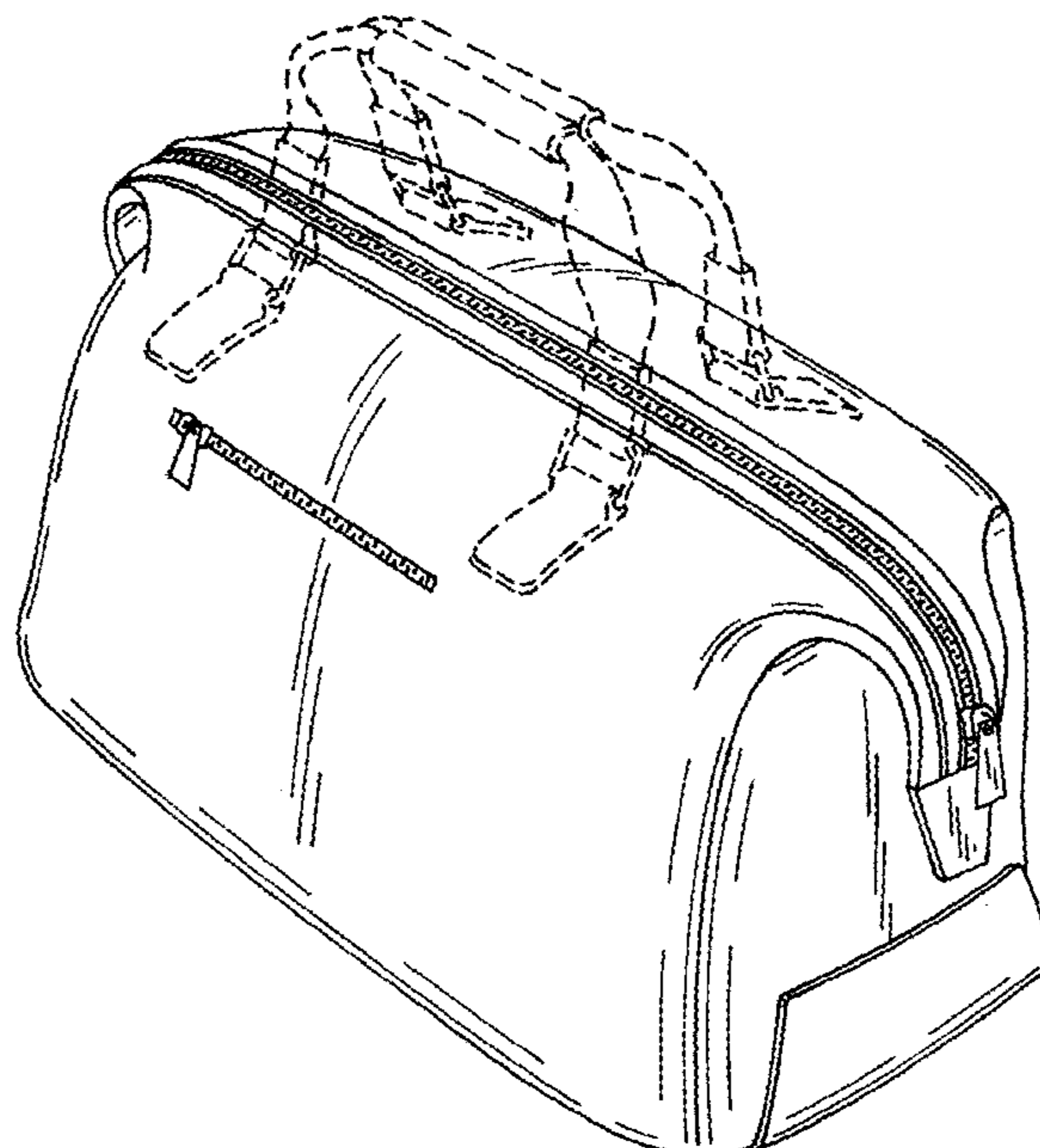
FIG. 6 is an opposite side plan view of the lightable gym Bag of FIG. 1;

FIG. 7 is a rear elevational view of the lightable gym bag of FIG. 1; and,

FIG. 8 is a top perspective view of a lightable gym bag being shown in an open position.

The broken lines are included for the purpose of illustrating non-claimed subject matter and form no part of the claimed design.

**1 Claim, 5 Drawing Sheets**



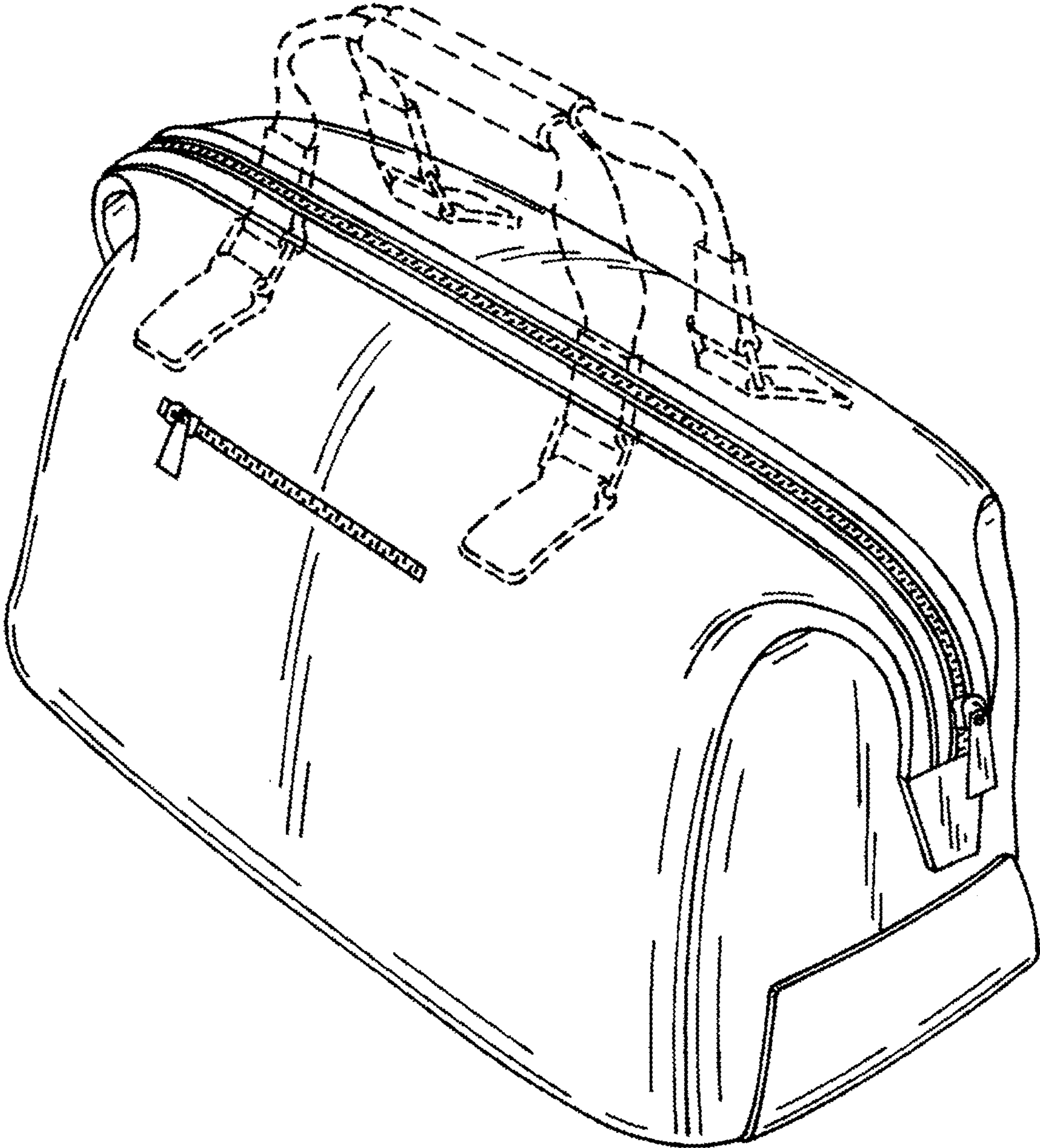


FIG. 1

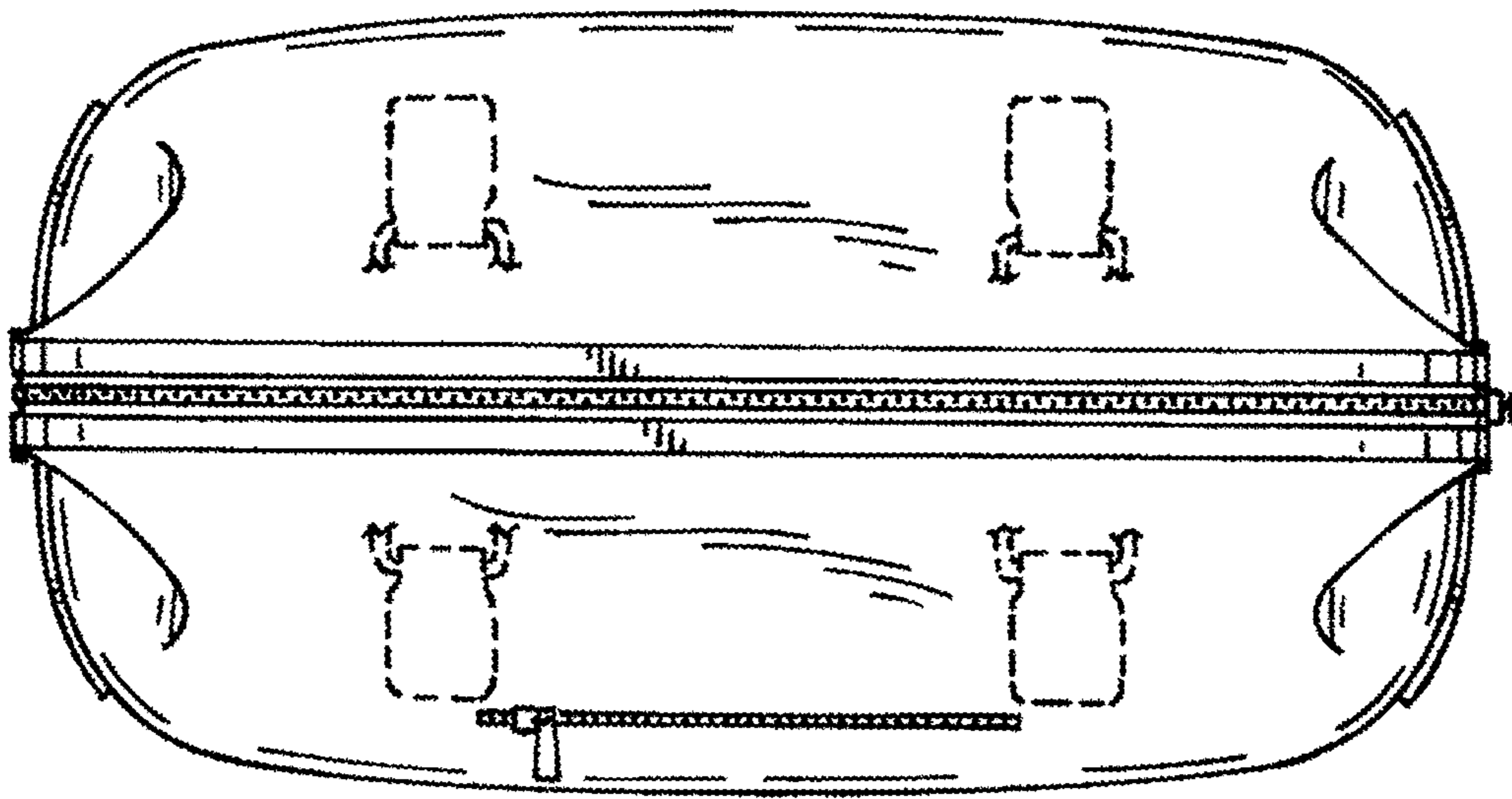


FIG. 3

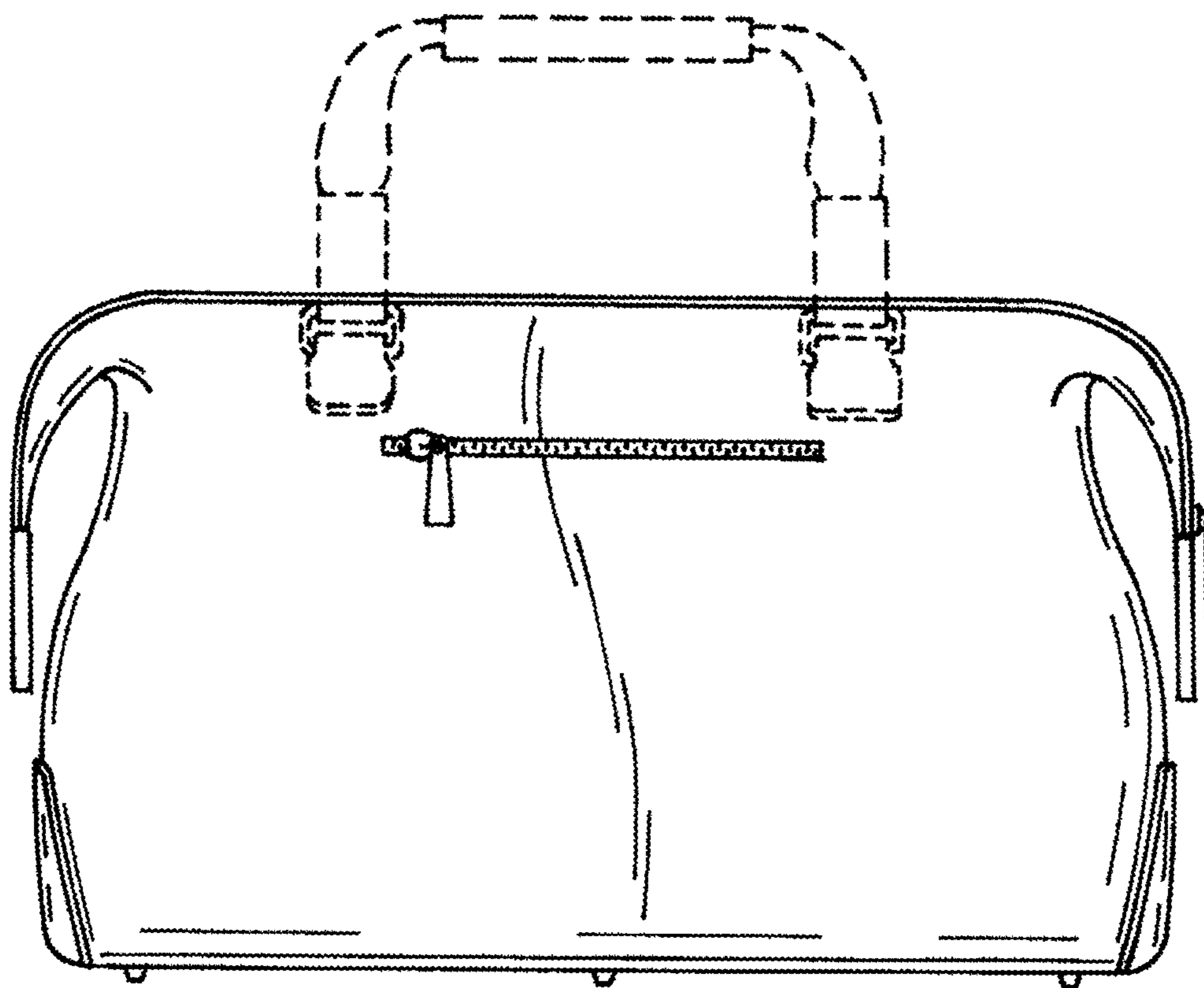


FIG. 2



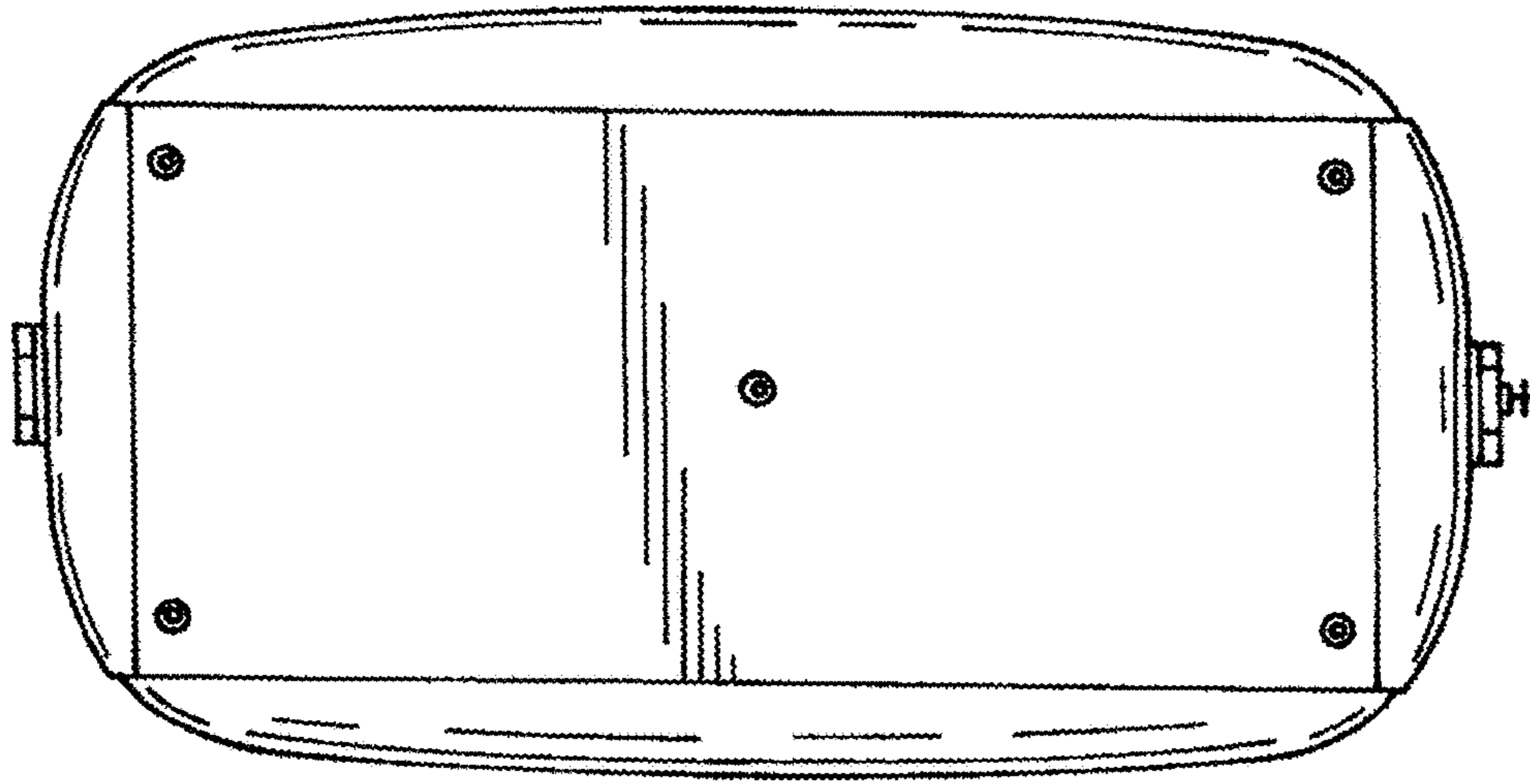


FIG. 4

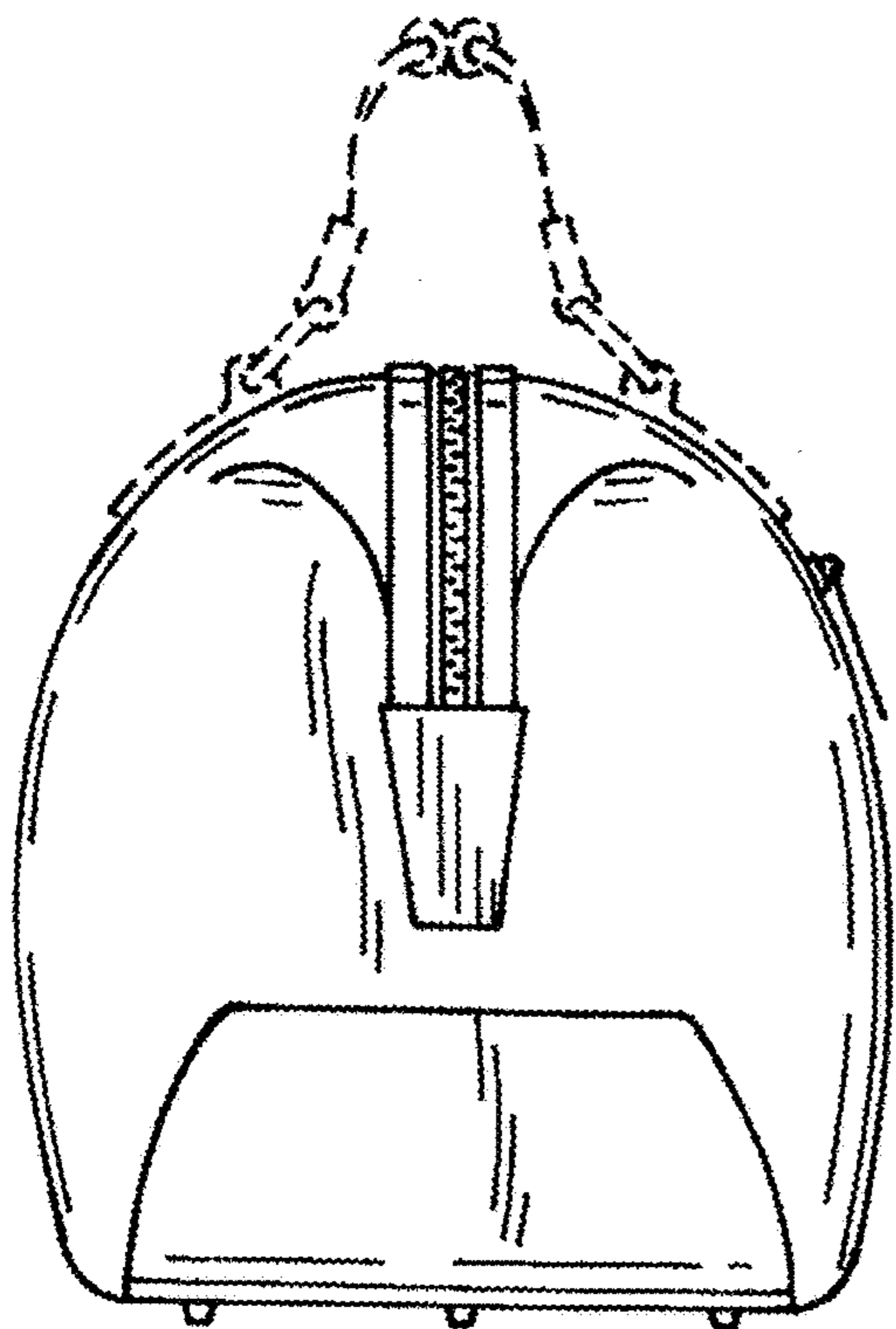


FIG. 5

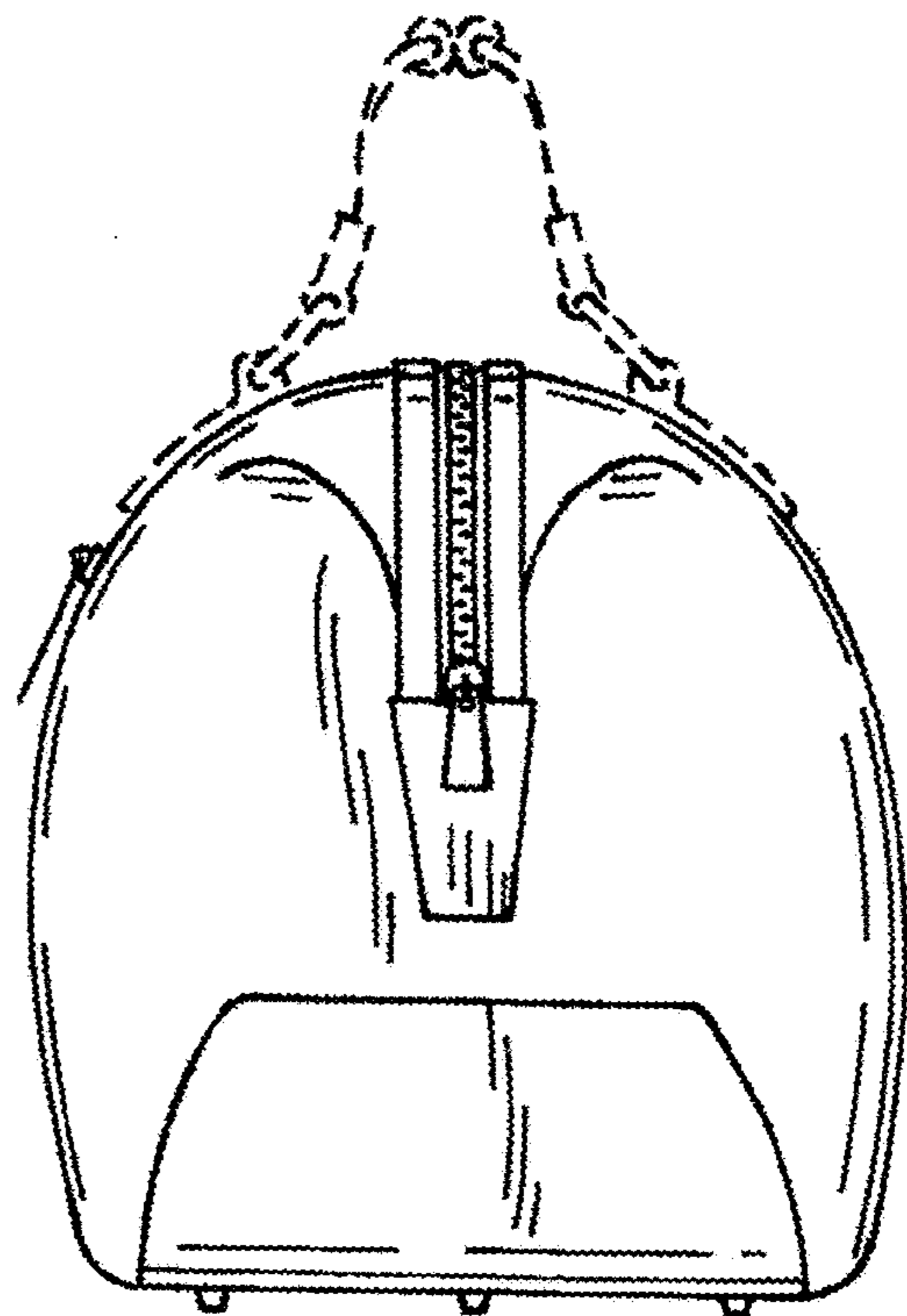


FIG. 6

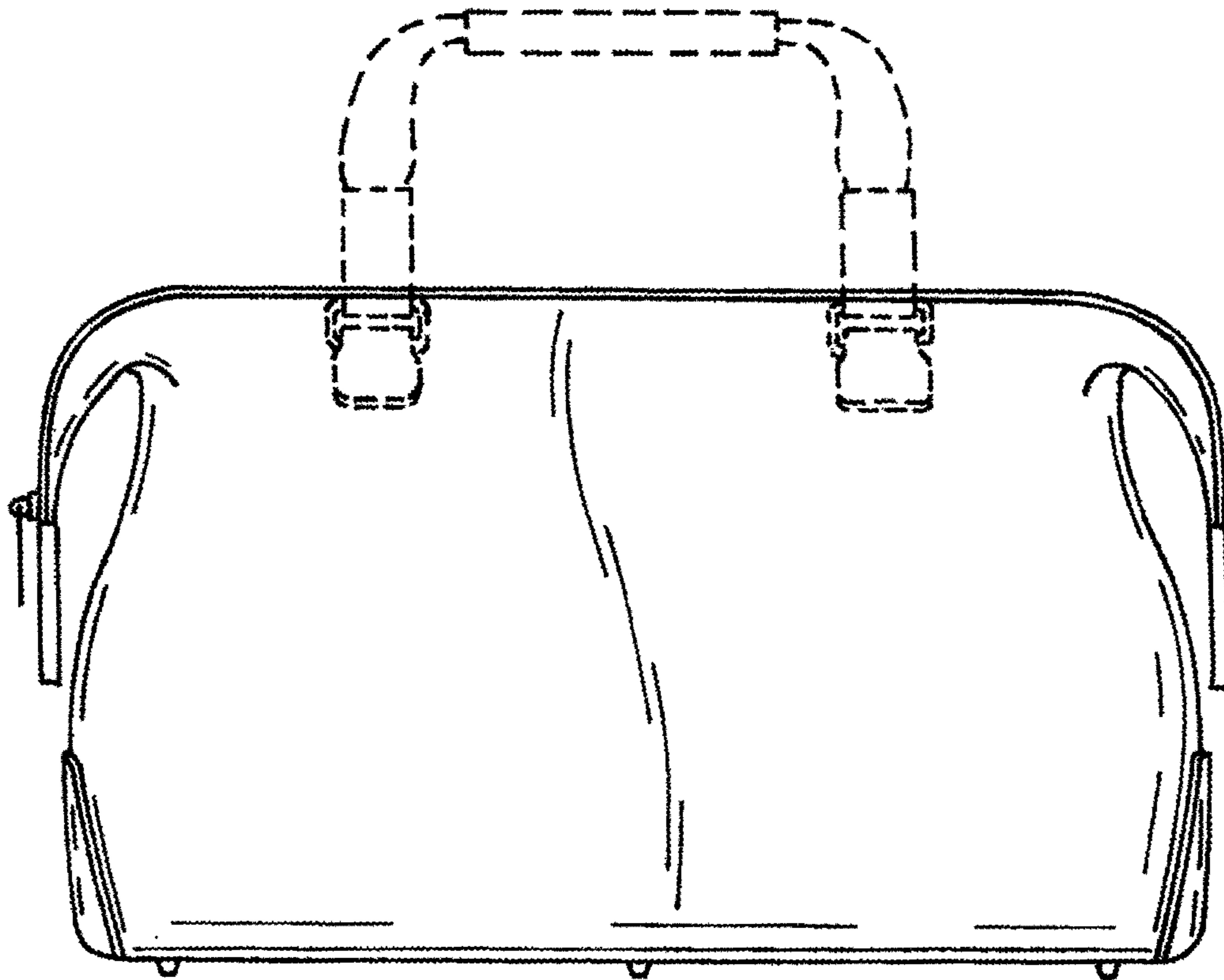


FIG. 7

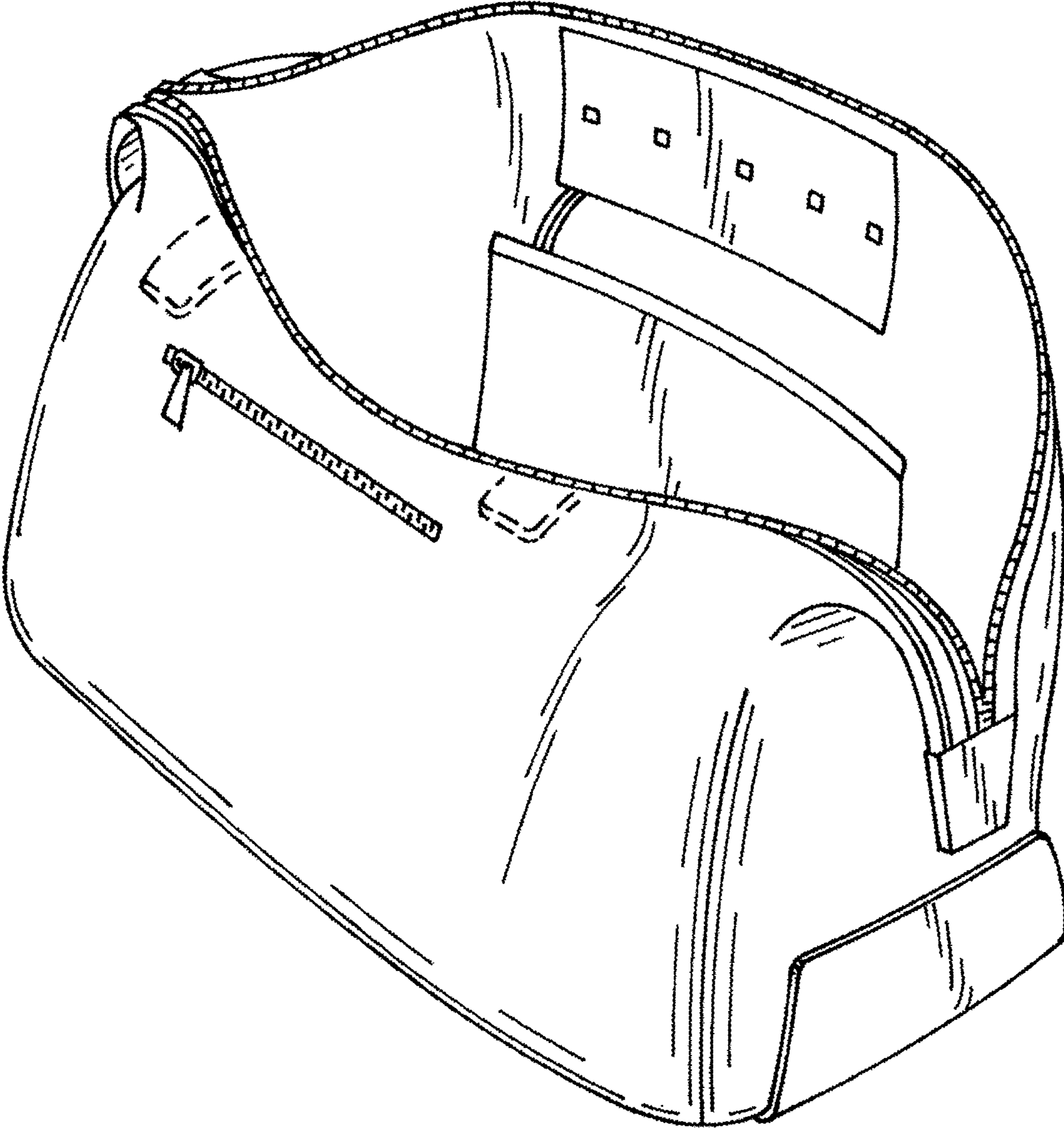


FIG. 8