

US00D839592S

(12) **United States Design Patent** (10) **Patent No.:** **US D839,592 S**
Balchunas et al. (45) **Date of Patent:** **** Feb. 5, 2019**

(54) **WATER BOTTLE CARRIER**

D509,354 S * 9/2005 Tannenhauser D3/229
D517,314 S * 3/2006 Moyer D3/229

(71) Applicant: **NITE IZE, INC.**, Boulder, CO (US)

* cited by examiner

(72) Inventors: **Dennis Balchunas**, Longmont, CO (US); **Michael Boyd**, Boulder, CO (US)

Primary Examiner — Catherine R Oliver-Garcia
(74) *Attorney, Agent, or Firm* — Haynes and Boone, LLP

(73) Assignee: **Nite Ize, Inc.**, Boulder, CO (US)

(57) **CLAIM**

(**) Term: **15 Years**

The ornamental design for the water bottle carrier, as shown and described.

(21) Appl. No.: **29/628,638**

DESCRIPTION

(22) Filed: **Dec. 6, 2017**

FIG. 1 shows a front perspective view of a water bottle carrier;

(51) **LOC (11) Cl.** **03-01**

FIG. 2 shows a rear perspective view of the water bottle carrier of FIG. 1;

(52) **U.S. Cl.**
USPC **D3/229**

FIG. 3 shows a front view of the water bottle carrier of FIG. 1;

(58) **Field of Classification Search**
USPC D3/229, 215, 218, 228, 202; 224/148.4, 224/148.5, 148.6, 148.7, 250, 269, 901, 224/901.2, 901.4, 901.6, 901.8; D7/619.1, 620, 622; 248/311.2

FIG. 4 shows a rear view of the water bottle carrier of FIG. 1;

CPC A45F 5/00; A45F 5/021
See application file for complete search history.

FIG. 5 shows left side view of the water bottle carrier of FIG. 1;

(56) **References Cited**

U.S. PATENT DOCUMENTS

D240,572 S * 7/1976 Worsham D3/228
D437,999 S * 2/2001 Williamson D3/228

FIG. 6 shows right side view of the water bottle carrier of FIG. 1;

FIG. 7 shows a top view of the water bottle carrier of FIG. 1; and,

FIG. 8 shows a bottom view of the water bottle carrier of FIG. 1.

1 Claim, 8 Drawing Sheets

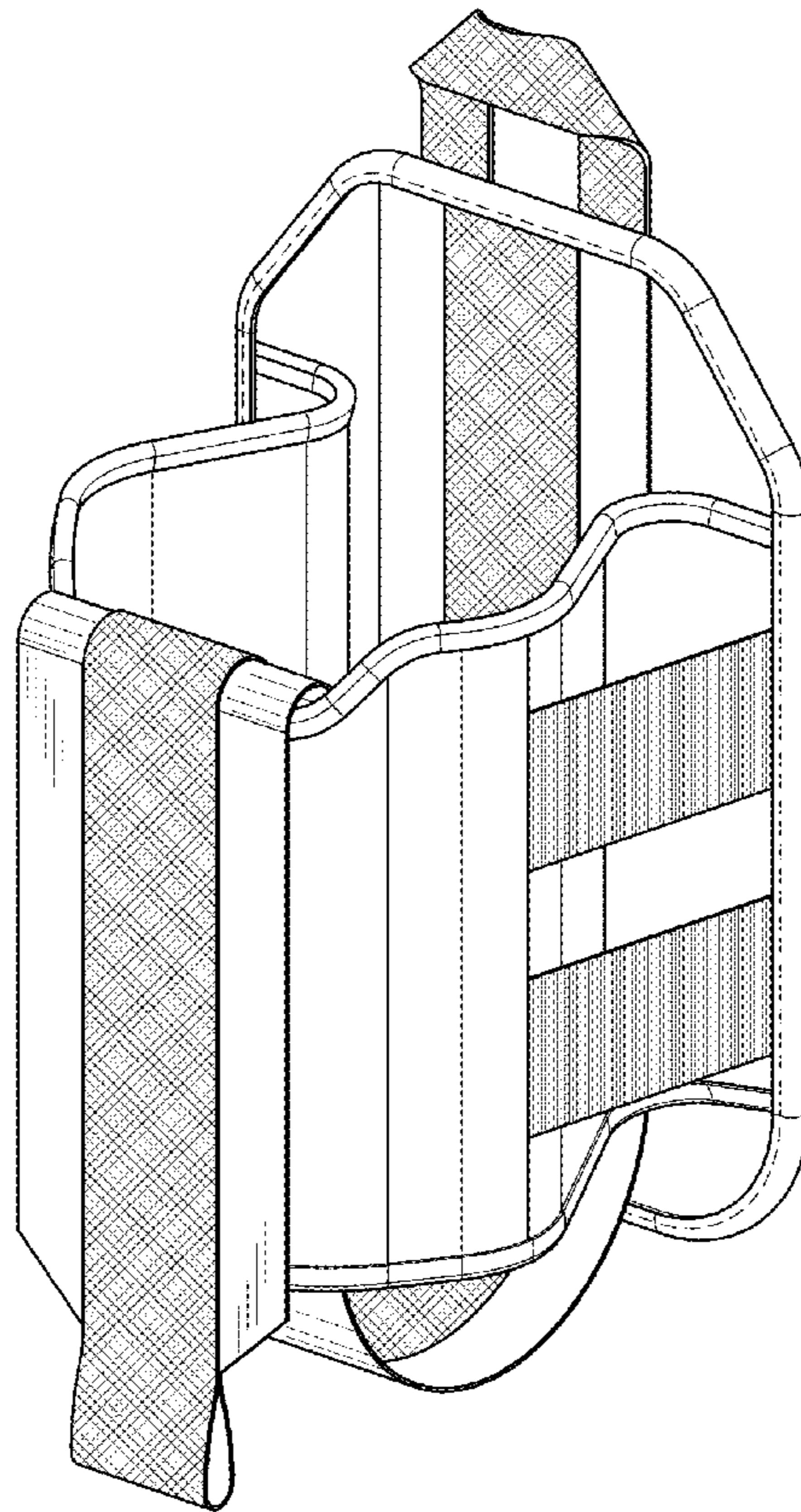


FIG. 1

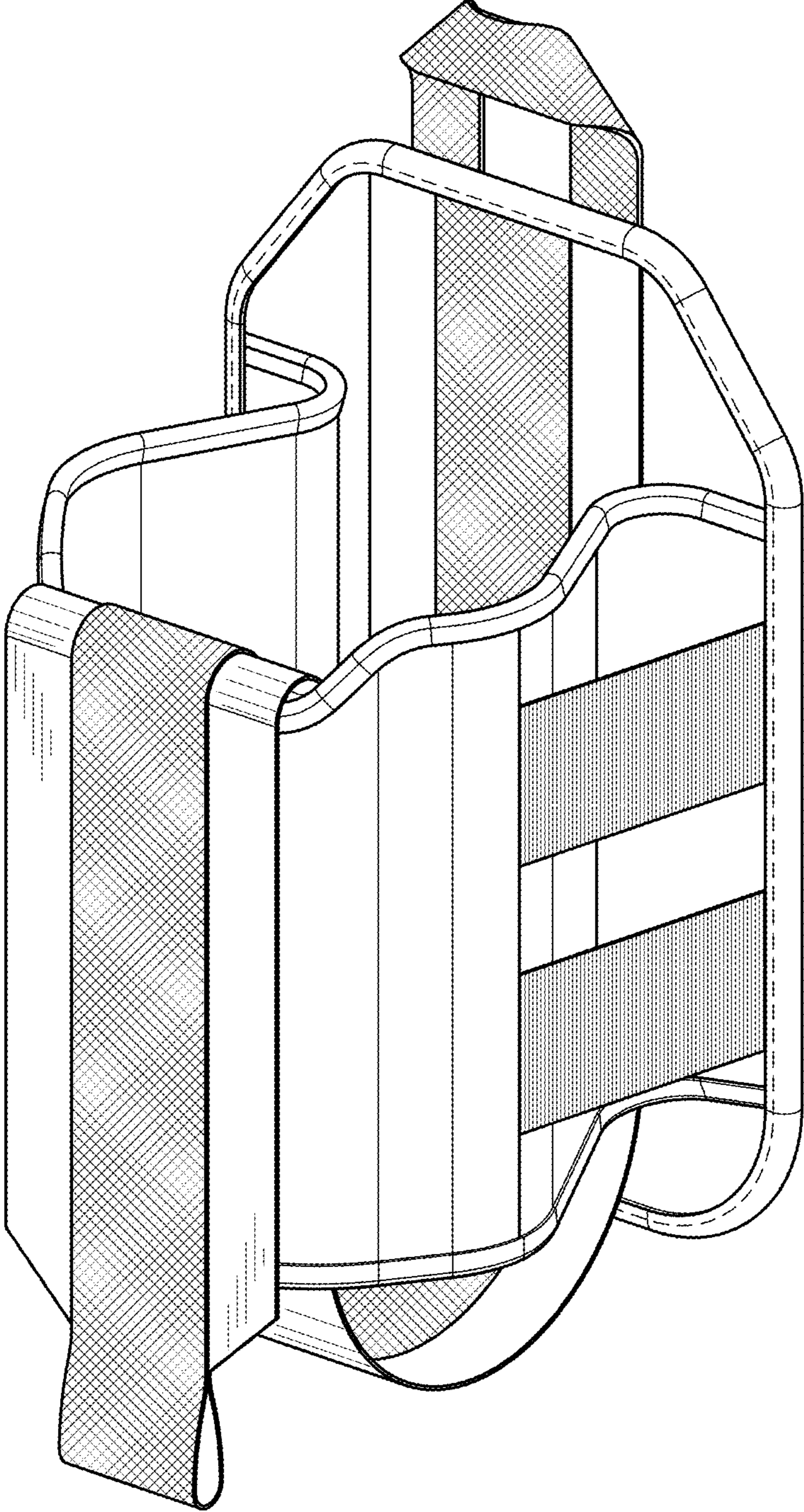


FIG. 2

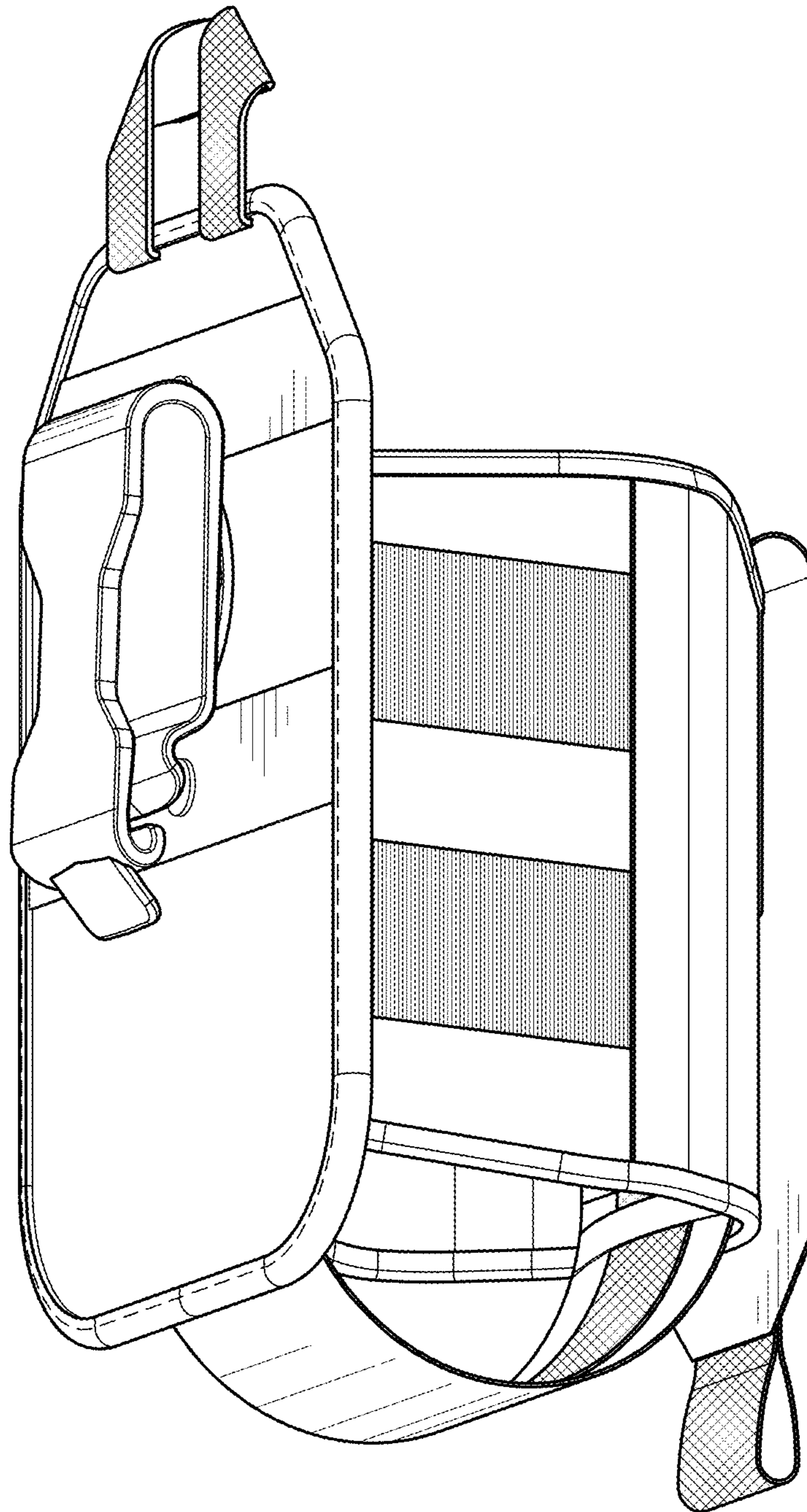


FIG. 3

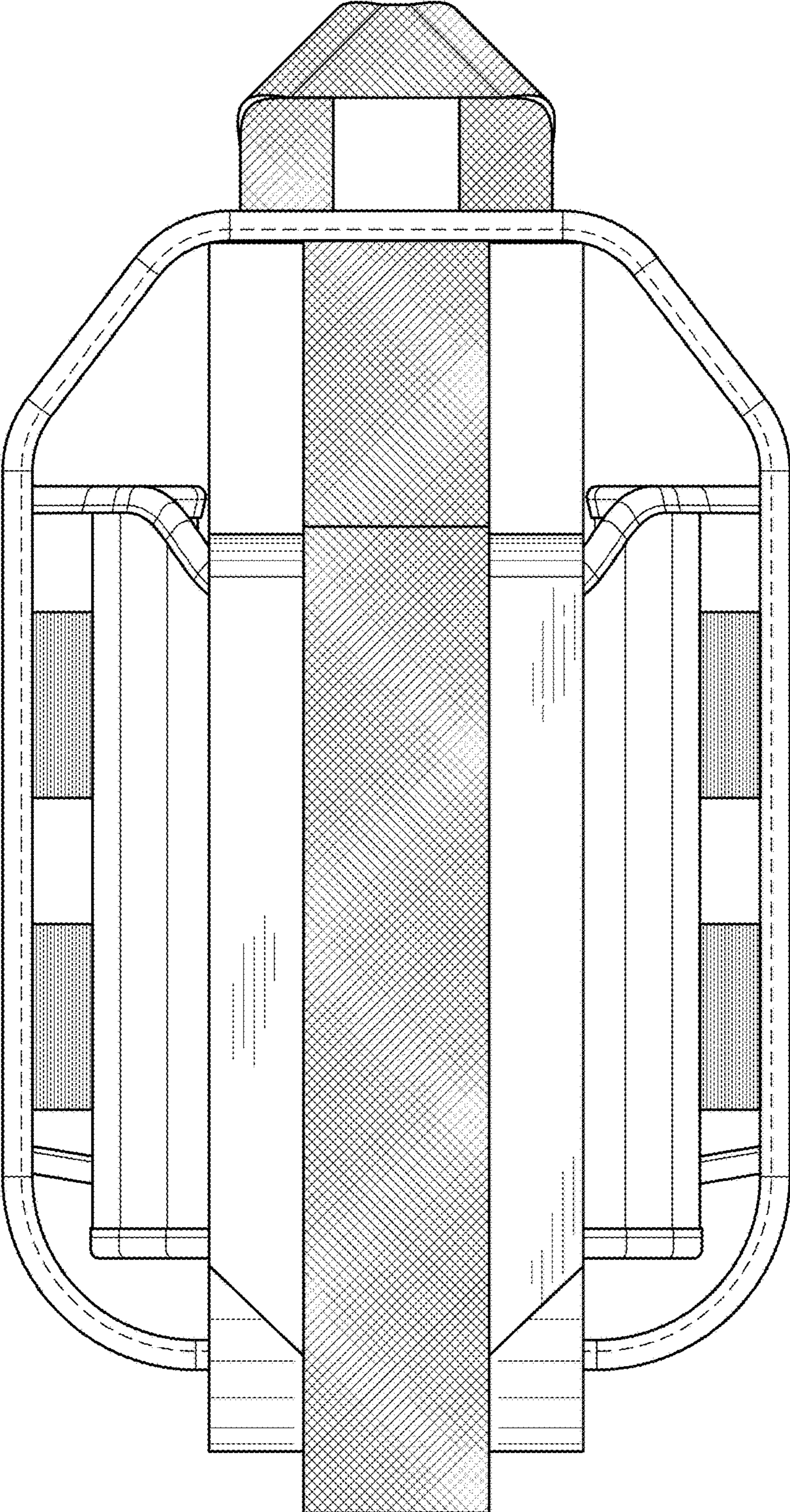


FIG. 4

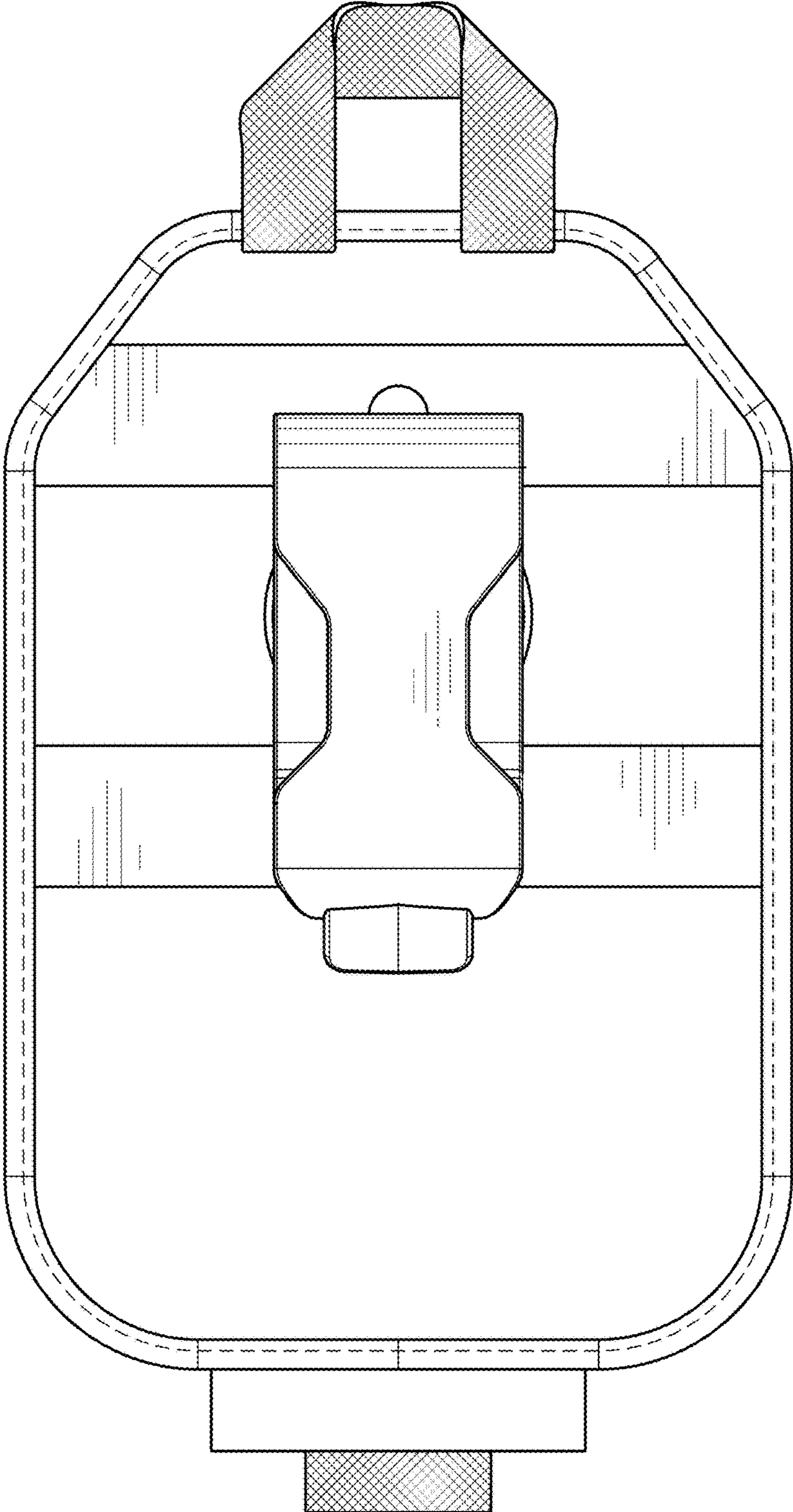


FIG. 5

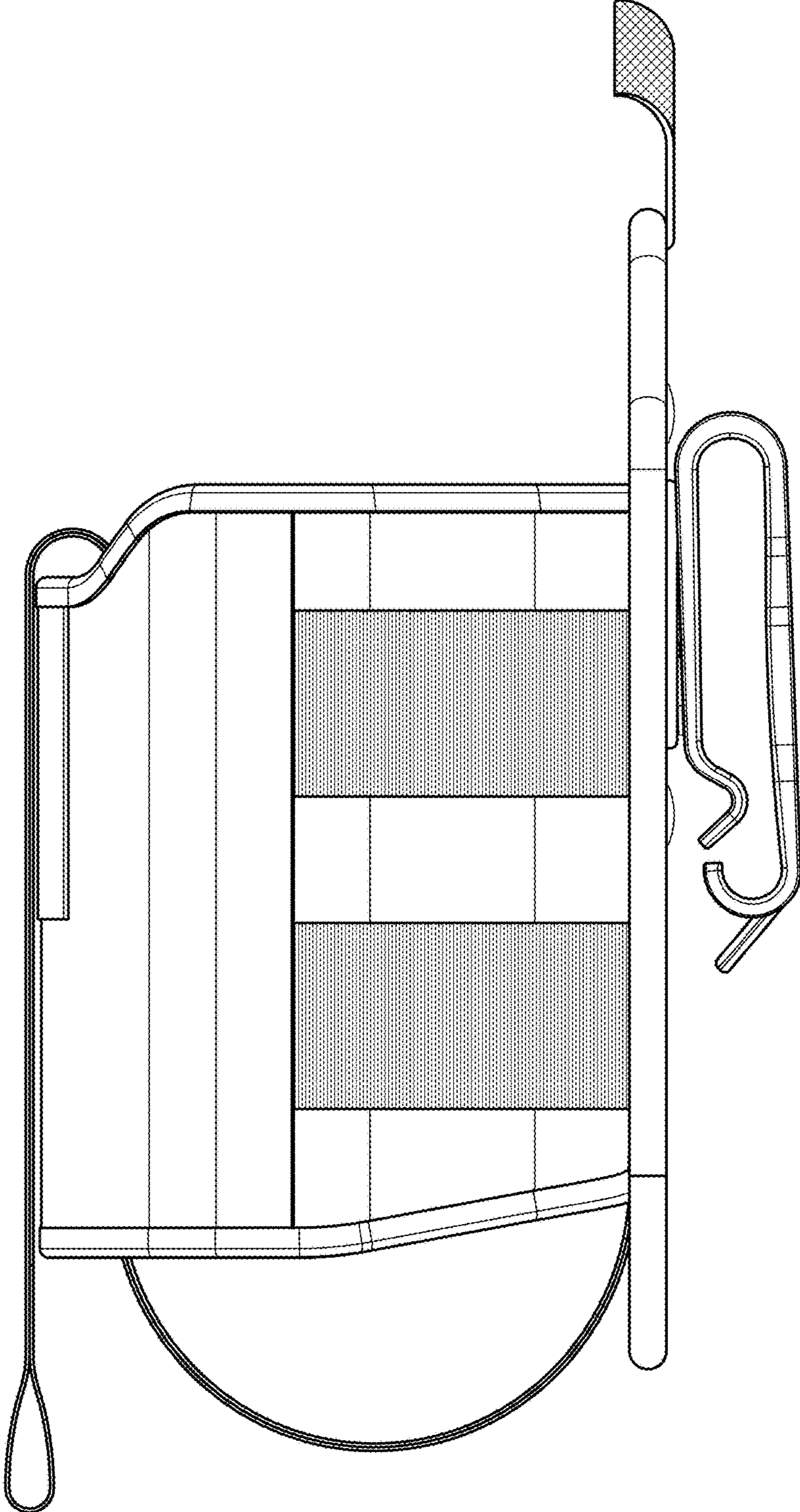


FIG. 6

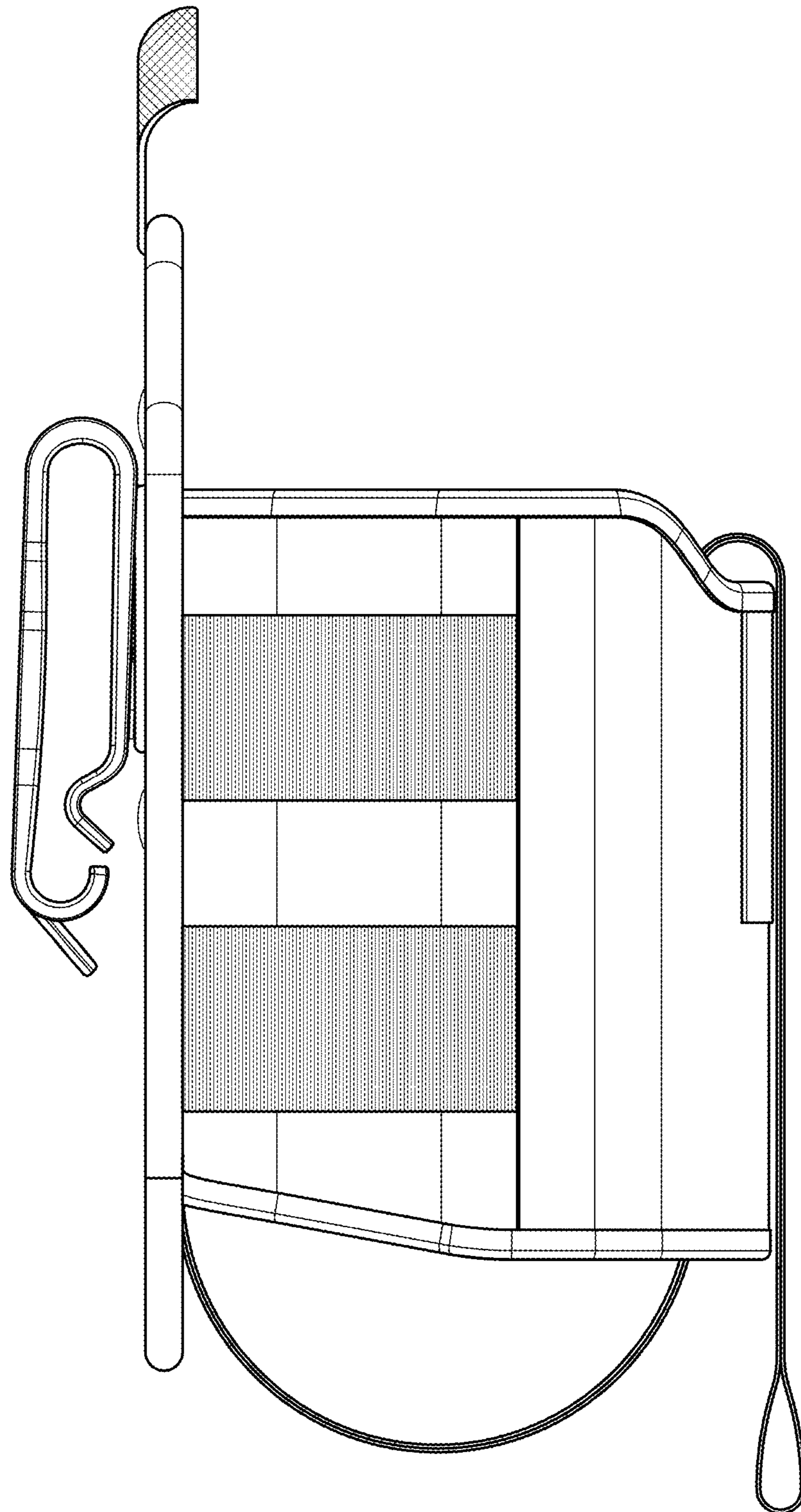


FIG. 7

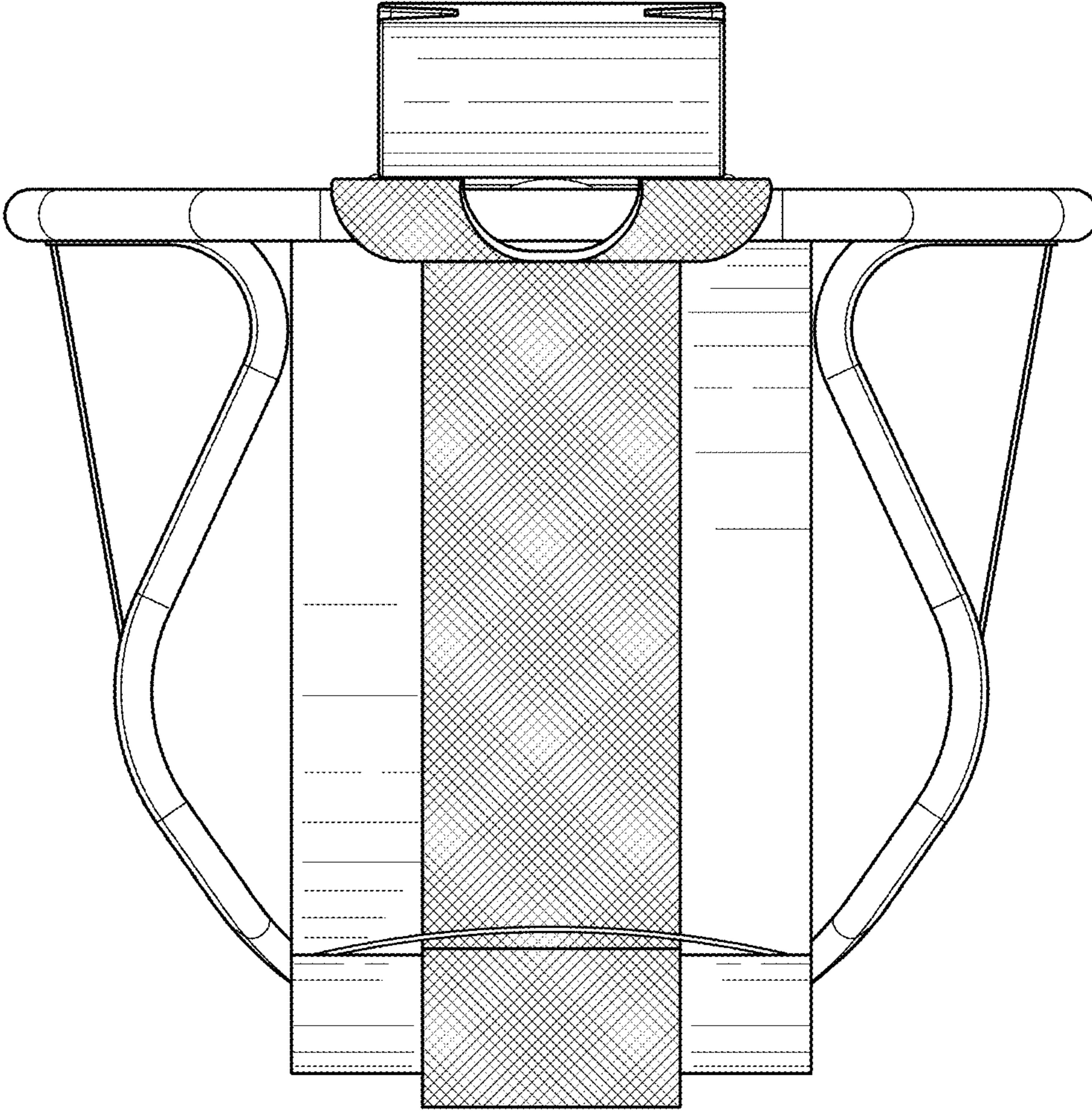


FIG. 8

