



US00D839591S

(12) **United States Design Patent**  
**Yamanaka**

(10) **Patent No.:** **US D839,591 S**

(45) **Date of Patent:** **\*\* Feb. 5, 2019**

(54) **BELT**

(71) Applicant: **Roger Yamanaka**, Los Angeles, CA  
(US)

(72) Inventor: **Roger Yamanaka**, Los Angeles, CA  
(US)

(\*\*) Term: **15 Years**

(21) Appl. No.: **29/630,162**

(22) Filed: **Dec. 19, 2017**

(51) **LOC (11) Cl.** ..... **03-01**

(52) **U.S. Cl.**  
USPC ..... **D3/226**

(58) **Field of Classification Search**  
USPC ..... D3/226, 224, 221, 228, 230; 224/236,  
224/240, 245, 222, 264, 662, 665, 668,  
224/684, 901.4, 901, 6, 904;  
D2/627-631; 206/315.11  
CPC ... A01K 97/06; A45F 3/00; A45F 5/00; A45F  
5/021; A41D 13/04; A41D 13/05; A45C  
15/00

See application file for complete search history.

(56) **References Cited**

**U.S. PATENT DOCUMENTS**

5,397,040 A \* 3/1995 Lee ..... A01K 97/06  
206/315.11  
6,508,391 B2 \* 1/2003 Gilbert ..... A45F 3/00  
224/245  
D538,036 S \* 3/2007 Buck ..... D3/224

D695,008 S \* 12/2013 Pomerantz ..... D3/221  
D789,683 S \* 6/2017 Bartlett ..... D3/226  
D791,473 S \* 7/2017 Herrera ..... D3/217  
D804,169 S \* 12/2017 Hamra ..... D3/224  
D809,288 S \* 2/2018 Preseren ..... D3/224

\* cited by examiner

*Primary Examiner* — Catherine R Oliver-Garcia

(74) *Attorney, Agent, or Firm* — Colin P. Abrahams

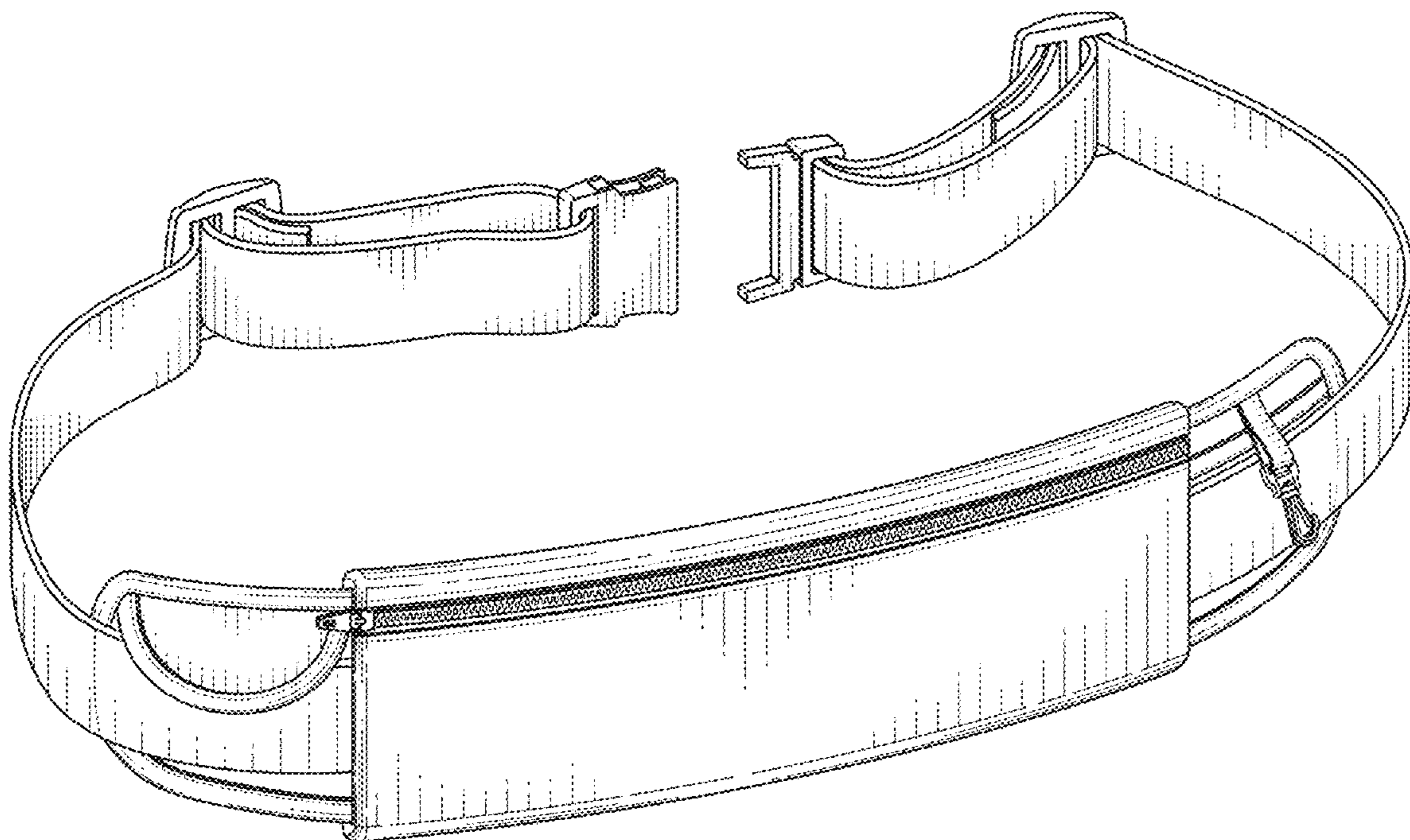
(57) **CLAIM**

The ornamental design for a belt, as shown.

**DESCRIPTION**

FIG. 1 is a top perspective view of a belt according to the design;  
FIG. 2 is a front view of the belt shown in FIG. 1 of the drawings;  
FIG. 3 is a rear view of the belt shown in FIG. 1 of the drawings;  
FIG. 4 is a right side view of the belt shown in FIG. 1 of the drawings;  
FIG. 5 is a left side view of the belt shown in FIG. 1 of the drawings;  
FIG. 6 is a top view of the belt shown in FIG. 1 of the drawings;  
FIG. 7 is a bottom view of the belt shown in FIG. 1 of the drawings;  
FIG. 8 is a top perspective view of the belt shown in FIG. 1 of the drawings, with the buckle unlatched; and,  
FIG. 9 is a front view of the belt shown in FIG. 1 of the drawings.

**1 Claim, 9 Drawing Sheets**



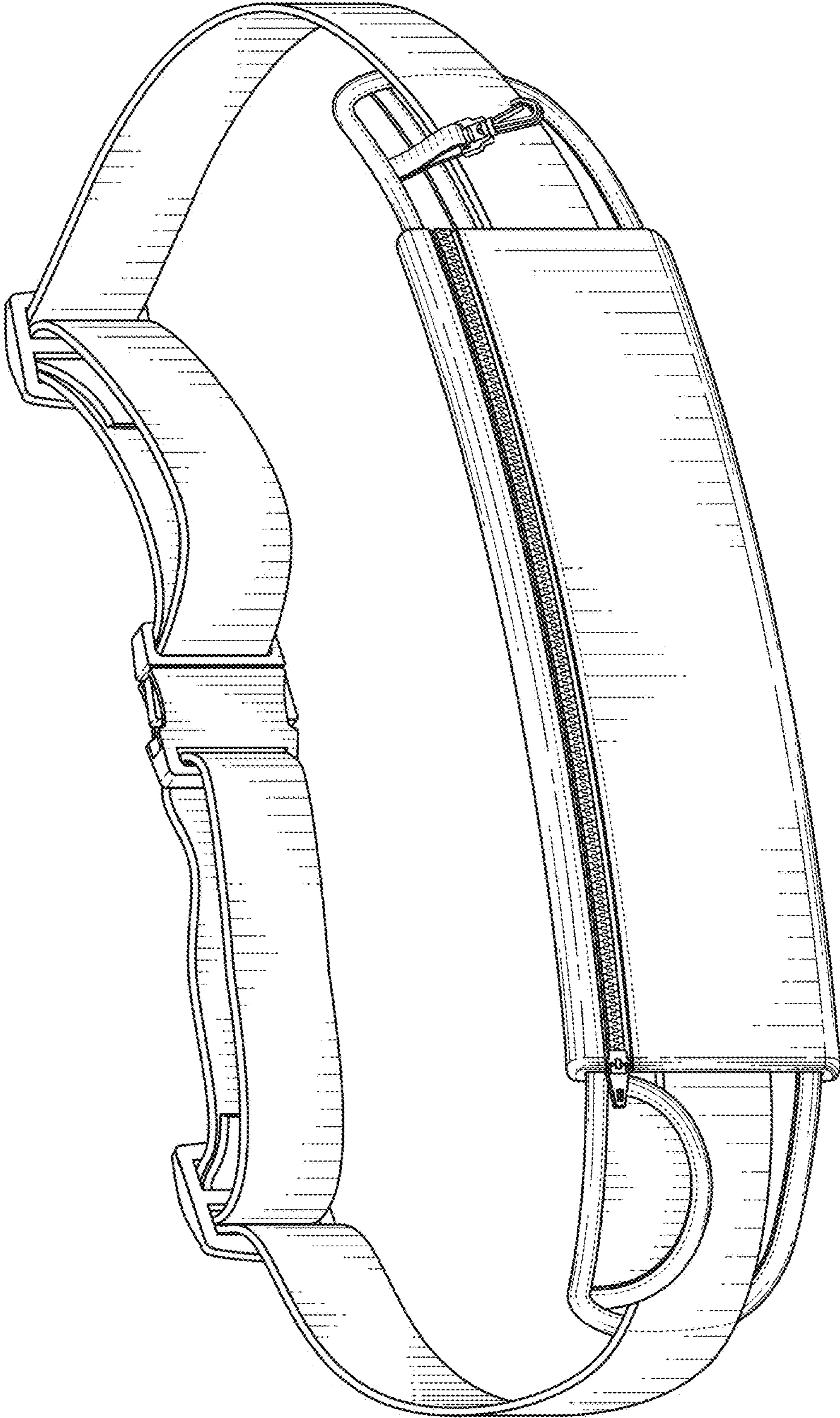


FIG. 1

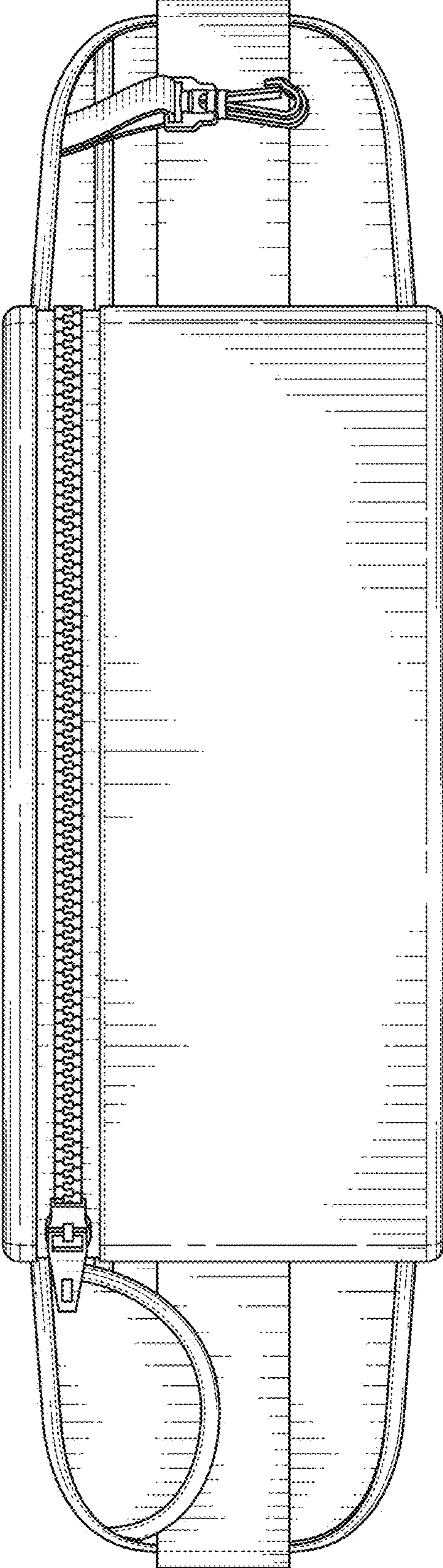


FIG. 2

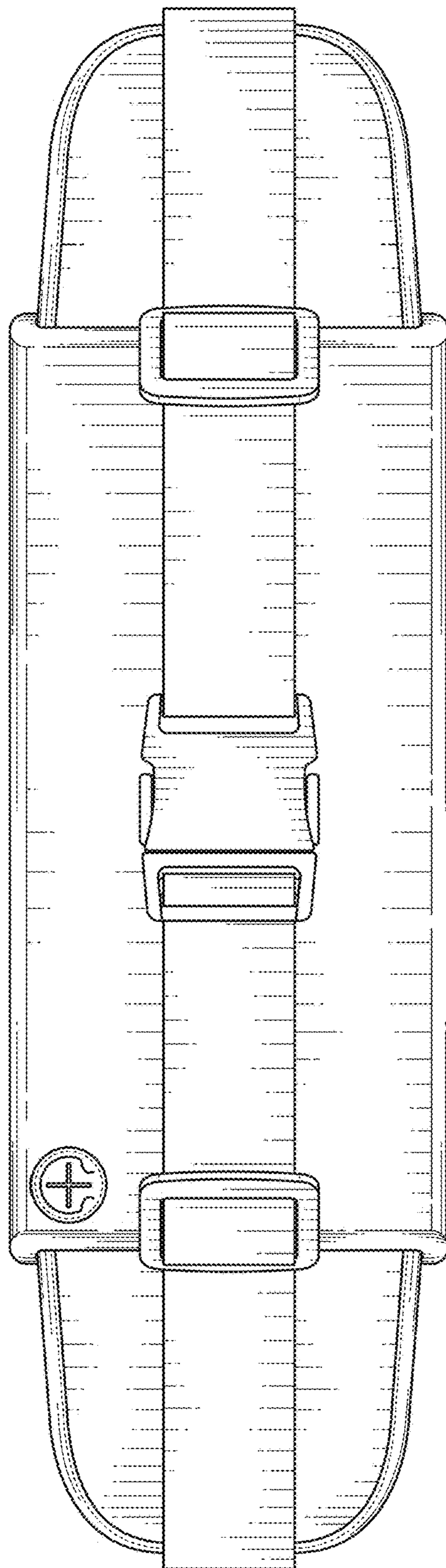


FIG. 3

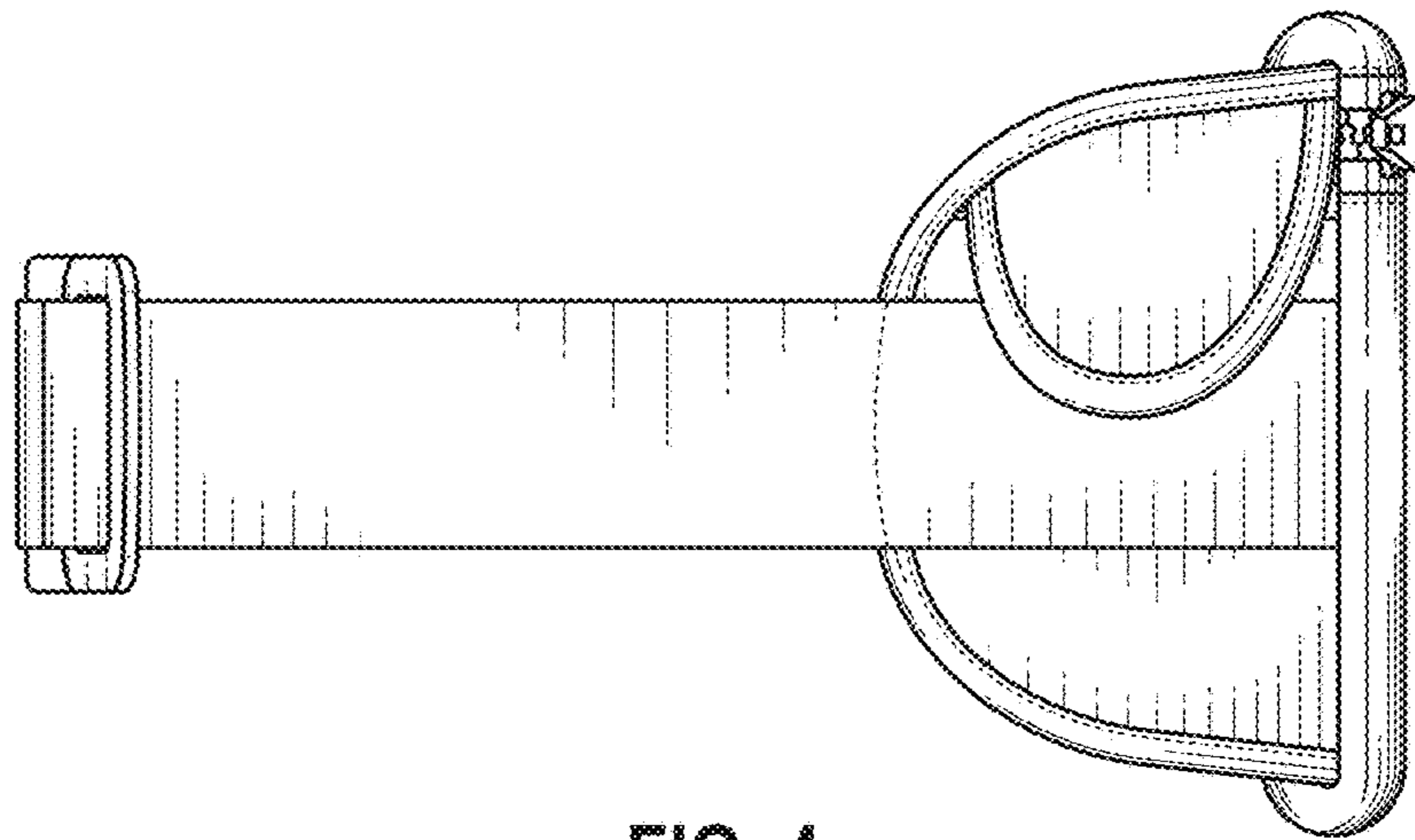


FIG. 4

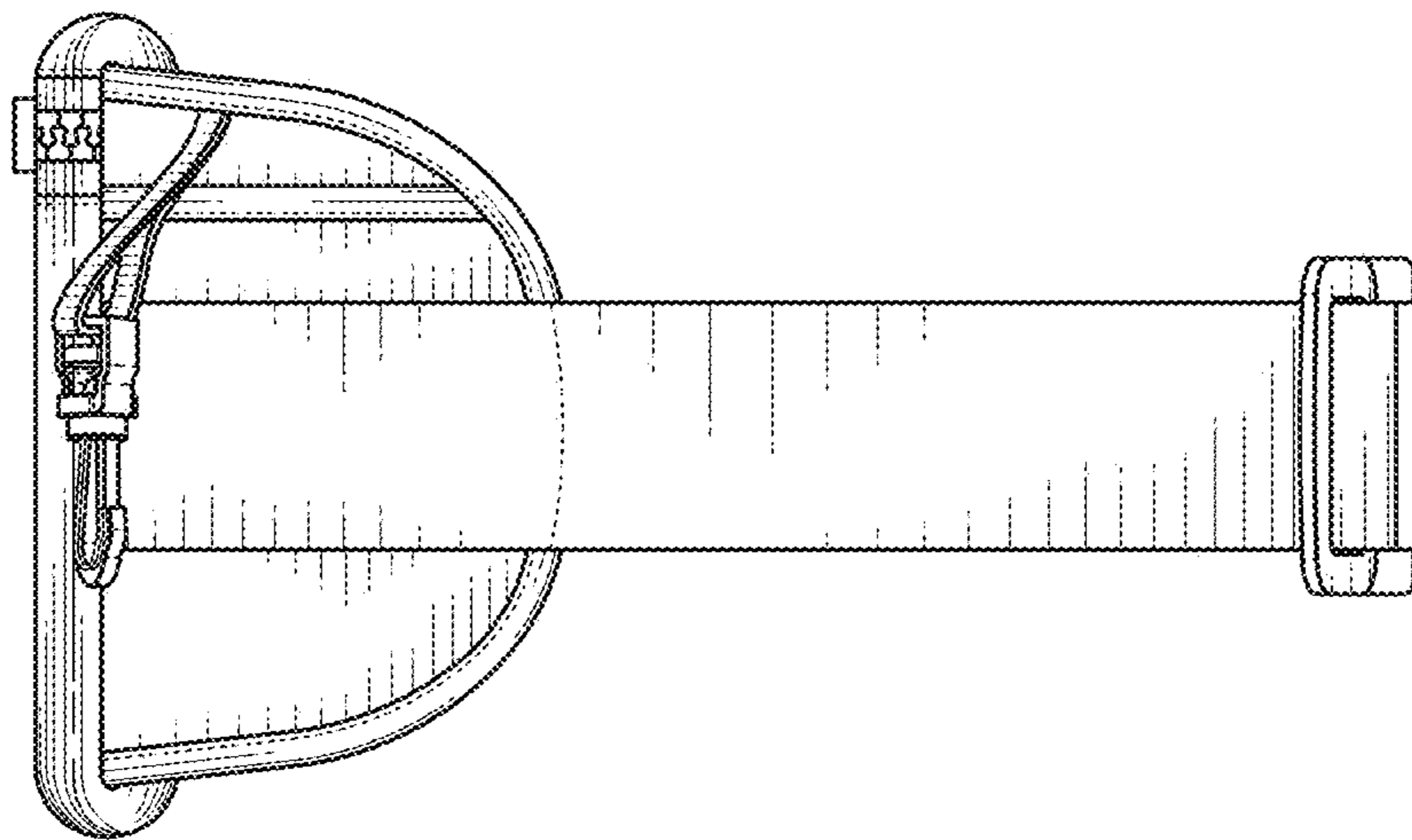


FIG. 5

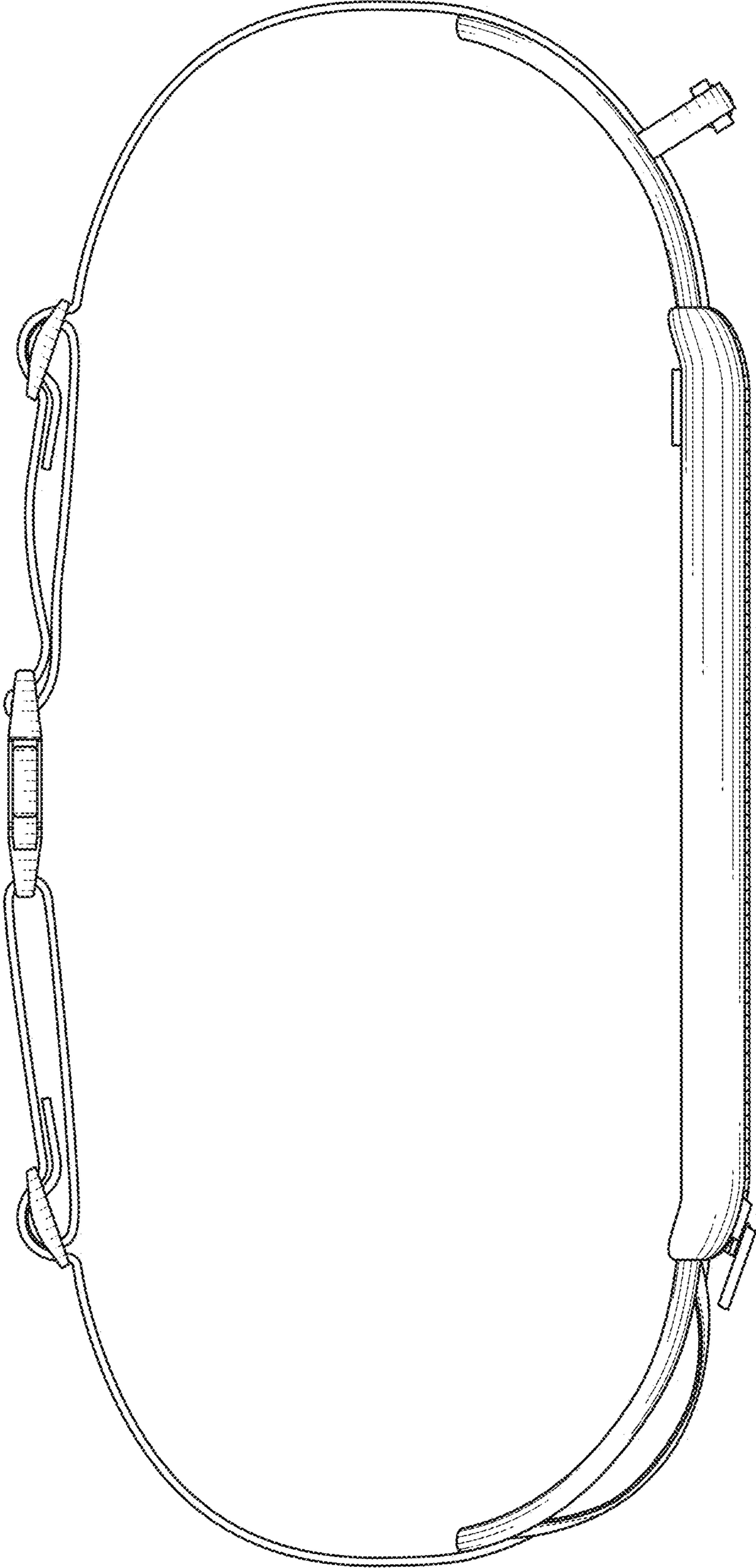


FIG. 6

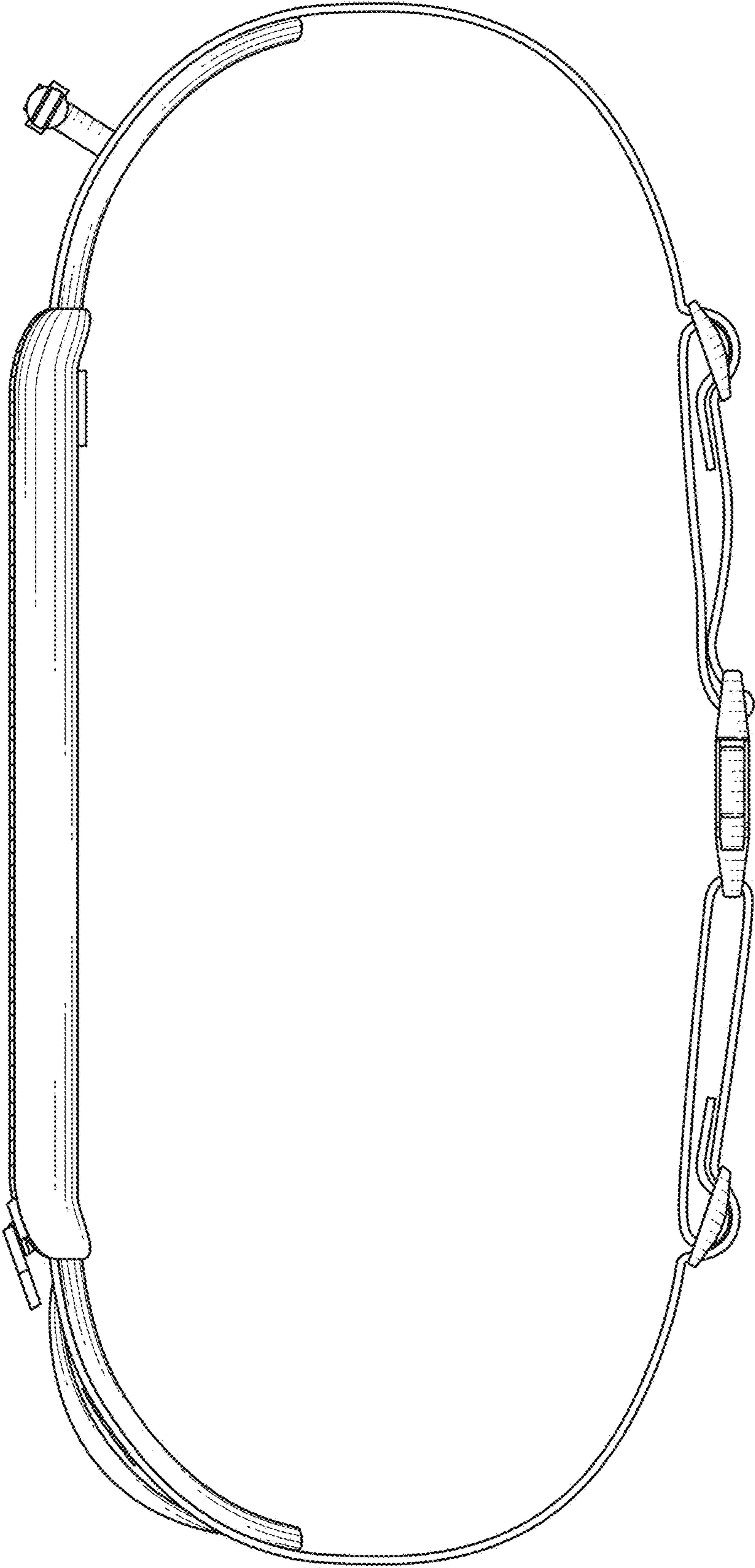


FIG. 7



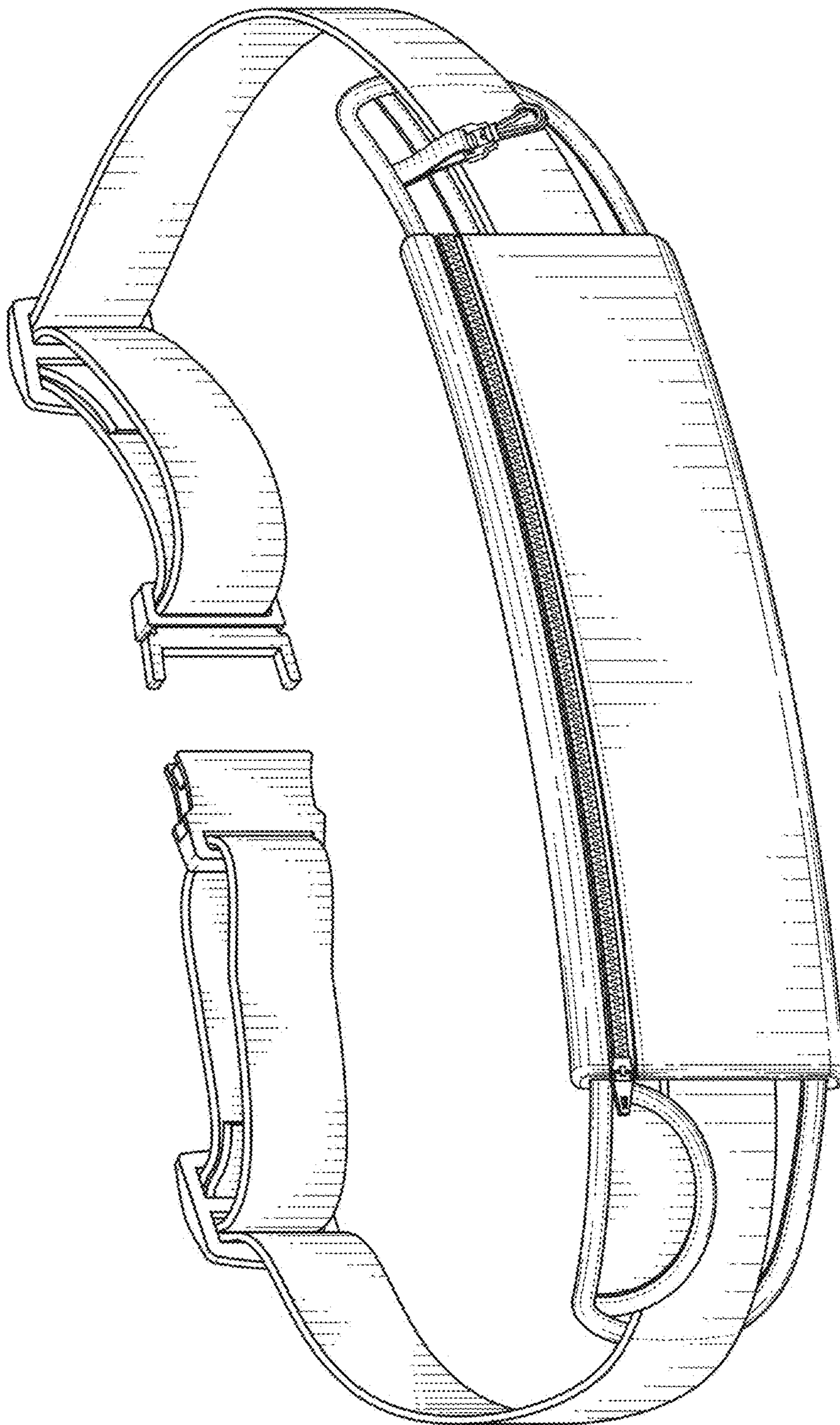


FIG. 8

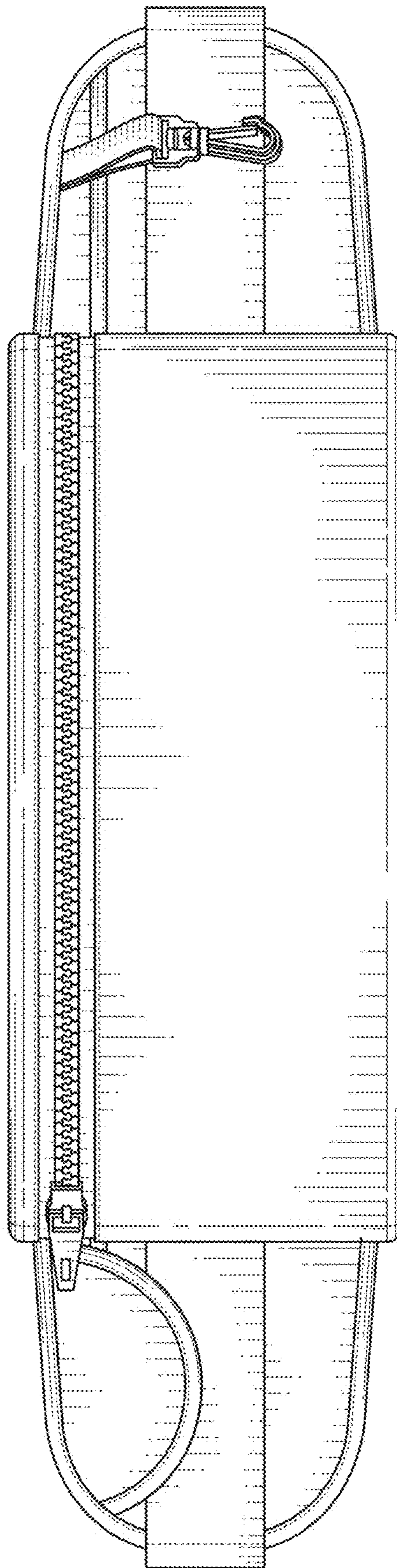


FIG. 9