



US00D839590S

(12) **United States Design Patent** (10) **Patent No.:** **US D839,590 S**  
**Vedder** (45) **Date of Patent:** **\*\* Feb. 5, 2019**

(54) **HOLSTER CLIP**  
(71) Applicant: **Michael Vedder**, Mount Dora, FL (US)  
(72) Inventor: **Michael Vedder**, Mount Dora, FL (US)  
(\*\*) Term: **15 Years**  
(21) Appl. No.: **29/619,913**  
(22) Filed: **Oct. 3, 2017**  
(51) **LOC (11) Cl.** ..... **03-01**  
(52) **U.S. Cl.**  
USPC ..... **D3/222; D3/215**  
(58) **Field of Classification Search**  
USPC ..... D3/222-223, 215, 218, 221, 228;  
24/578.11, DIG. 60, 507-511, 580.11,  
24/663, 667, 669, 682.1; 224/191-198,  
224/240, 242-243, 245, 268, 271-272,  
224/666-667, 672, 674, 677-678;  
248/311.2  
CPC ..... A45F 5/02; A45F 5/021; A45C 2011/002;  
F16B 45/00; F41C 33/045; F41C  
33/0227; Y10S 24/60; Y10T 24/45042  
See application file for complete search history.

D745,776 S \* 12/2015 Perreault ..... D3/215  
D774,748 S \* 12/2016 VanHeusen ..... D3/215  
D807,028 S \* 1/2018 Resca ..... D3/222

**OTHER PUBLICATIONS**

Vedder Holsters (Applicant), Vedder Holsters LightTruck, Nov. 27, 2015, <https://www.youtube.com/watch?v=pW5yDW-qNKU>.†  
Vedder Holsters (Applicant), IWB/LightTuck Kydex IWB, Dec. 20, 2015, [webarchive.org/www.vedderholsters.com/iwb](http://webarchive.org/www.vedderholsters.com/iwb).†

\* cited by examiner  
† cited by third party

*Primary Examiner* — Catherine R Oliver-Garcia  
(74) *Attorney, Agent, or Firm* — The Rapacke Law Group, P.A.

(57) **CLAIM**

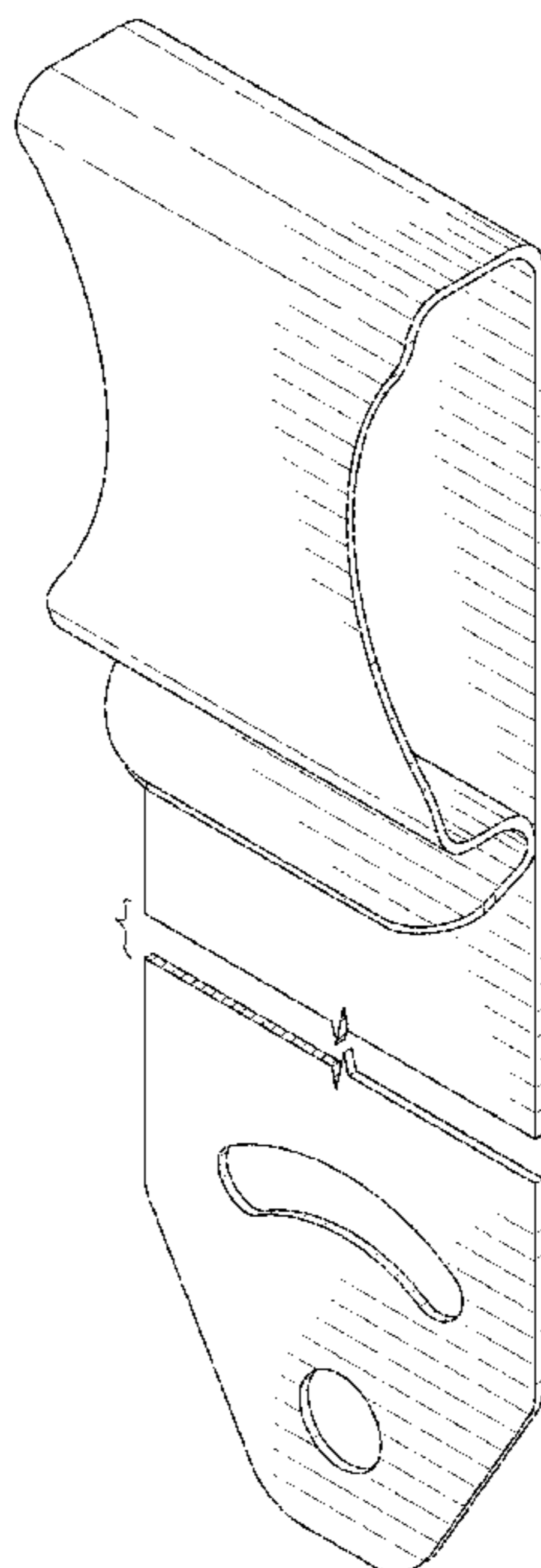
The ornamental design for an holster clip, as shown and described.

**DESCRIPTION**

FIG. 1 is a perspective view of the holster clip showing the new design;  
FIG. 2 is a front view of the holster clip thereof;  
FIG. 3 is a rear view of the holster clip thereof;  
FIG. 4 is a right side view of the holster clip thereof;  
FIG. 5 is a left side view of the holster clip thereof;  
FIG. 6 is a top view of the holster clip thereof; and,  
FIG. 7 is a bottom view of the holster clip thereof.  
The broken lines in the drawings illustrate environmental subject matter and form no part of the claimed design.  
The break lines indicate that no particular length is claimed and any portion shown in between forms no part of the claimed design.

(56) **References Cited**  
U.S. PATENT DOCUMENTS  
D382,105 S \* 8/1997 Bonaldi ..... D3/215  
6,098,858 A \* 8/2000 Laugesen ..... A45F 5/02  
224/197  
D433,563 S \* 11/2000 Capanna ..... D3/215  
D555,896 S \* 11/2007 Ward-Llewellyn ..... D3/215  
7,819,370 B2 \* 10/2010 Ho ..... F16B 45/00  
224/197  
D670,903 S \* 11/2012 Ormsbee ..... D3/215  
D710,595 S \* 8/2014 Clifton, Jr. .... F41C 33/045  
D3/215

**1 Claim, 4 Drawing Sheets**



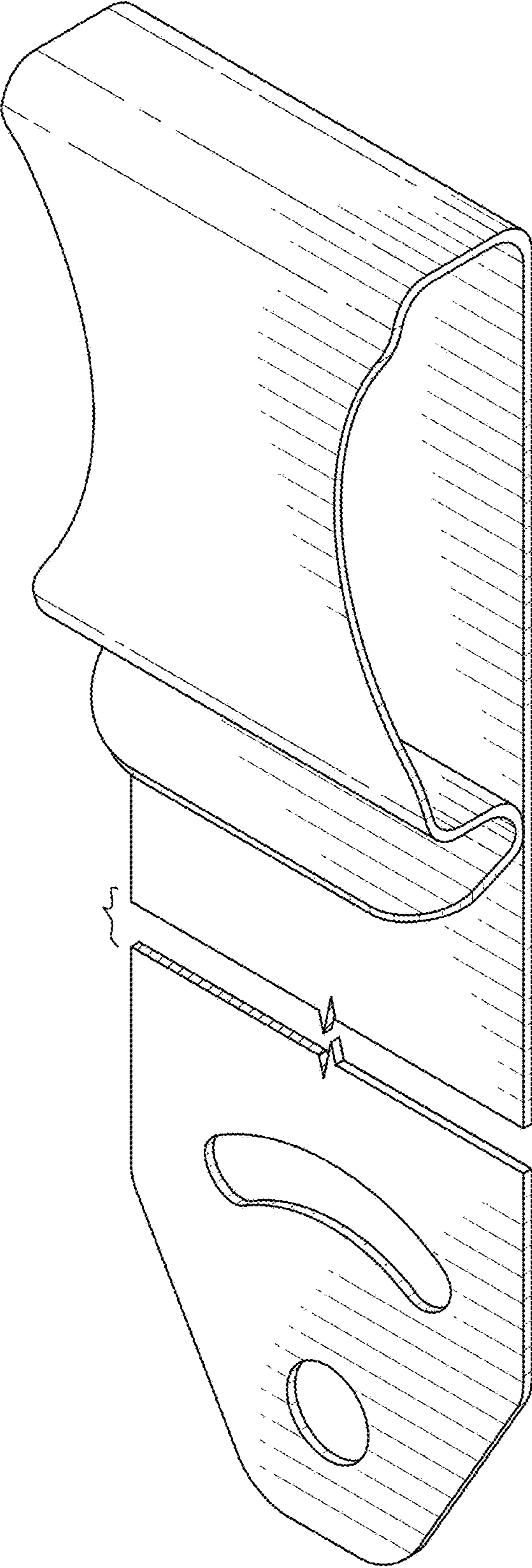
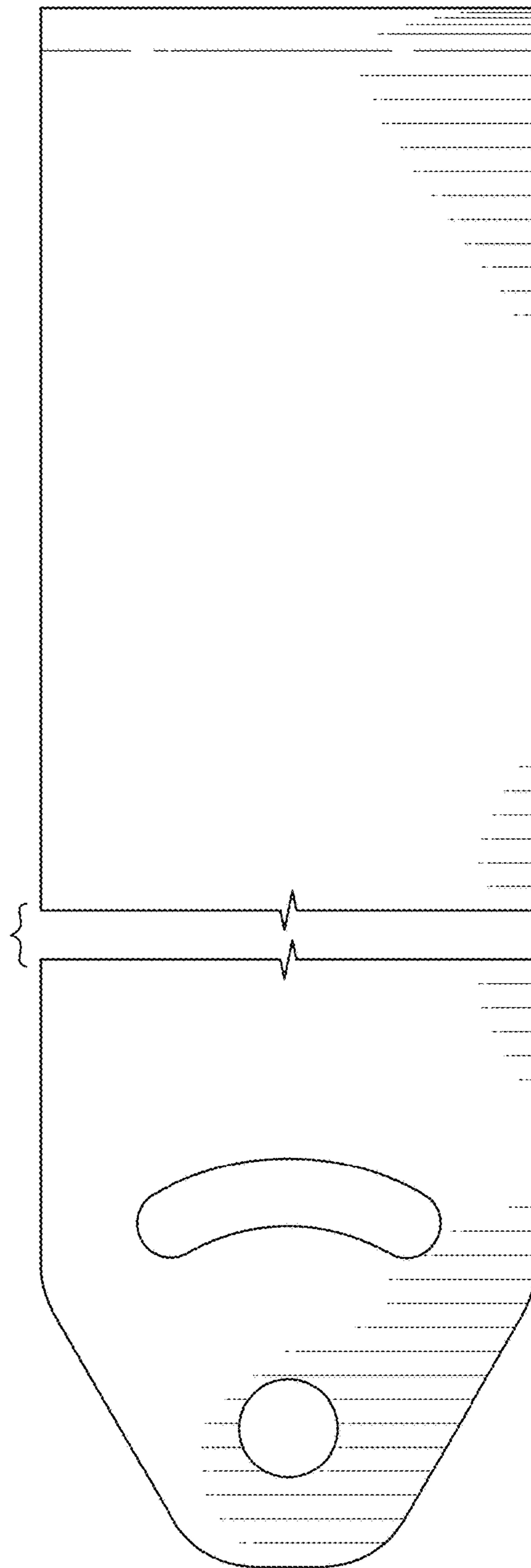
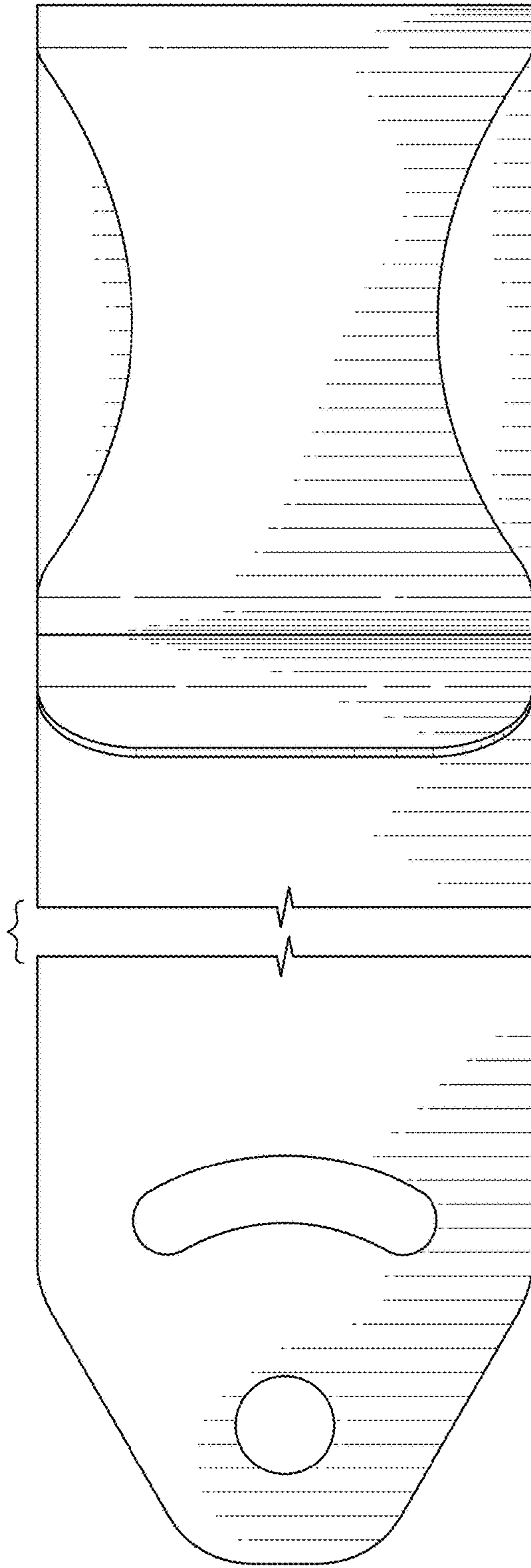
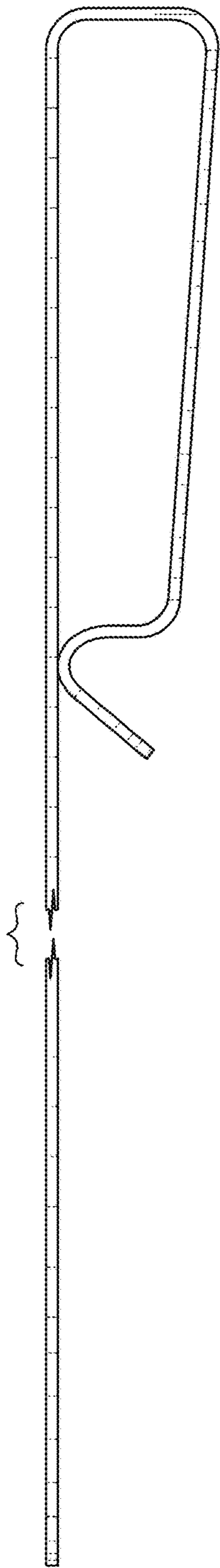
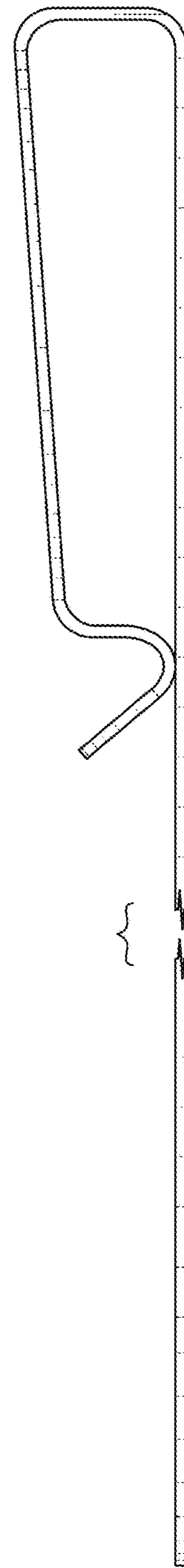


FIG. 1

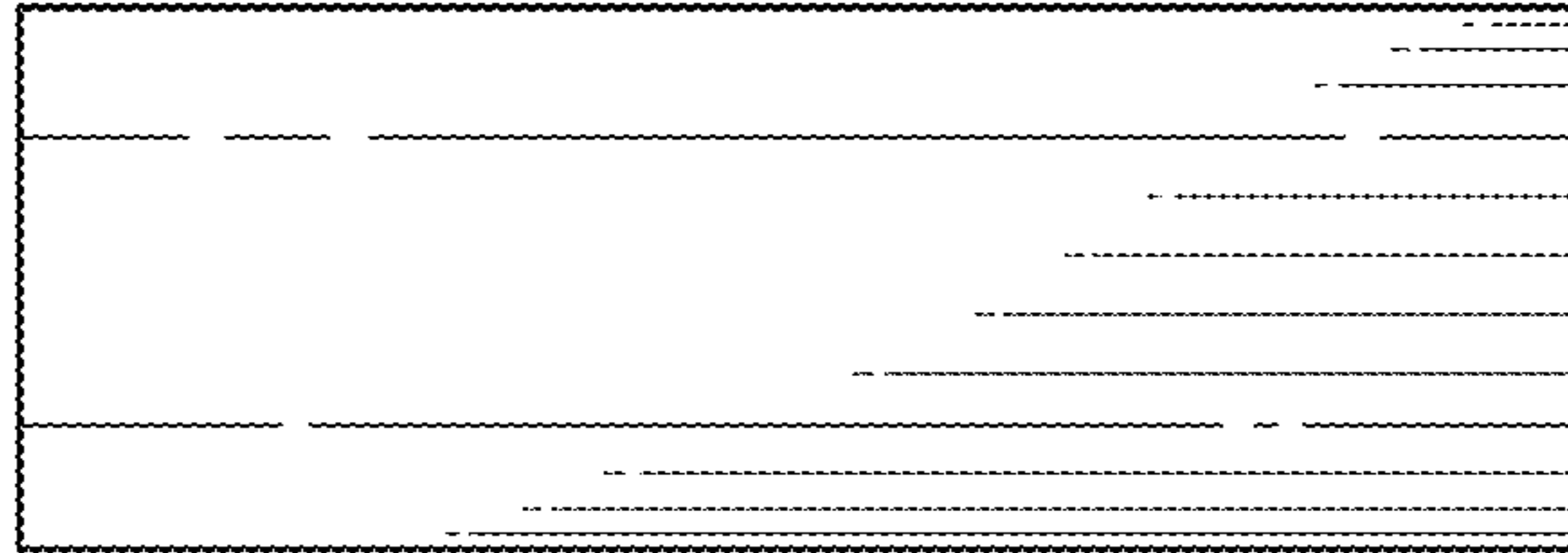




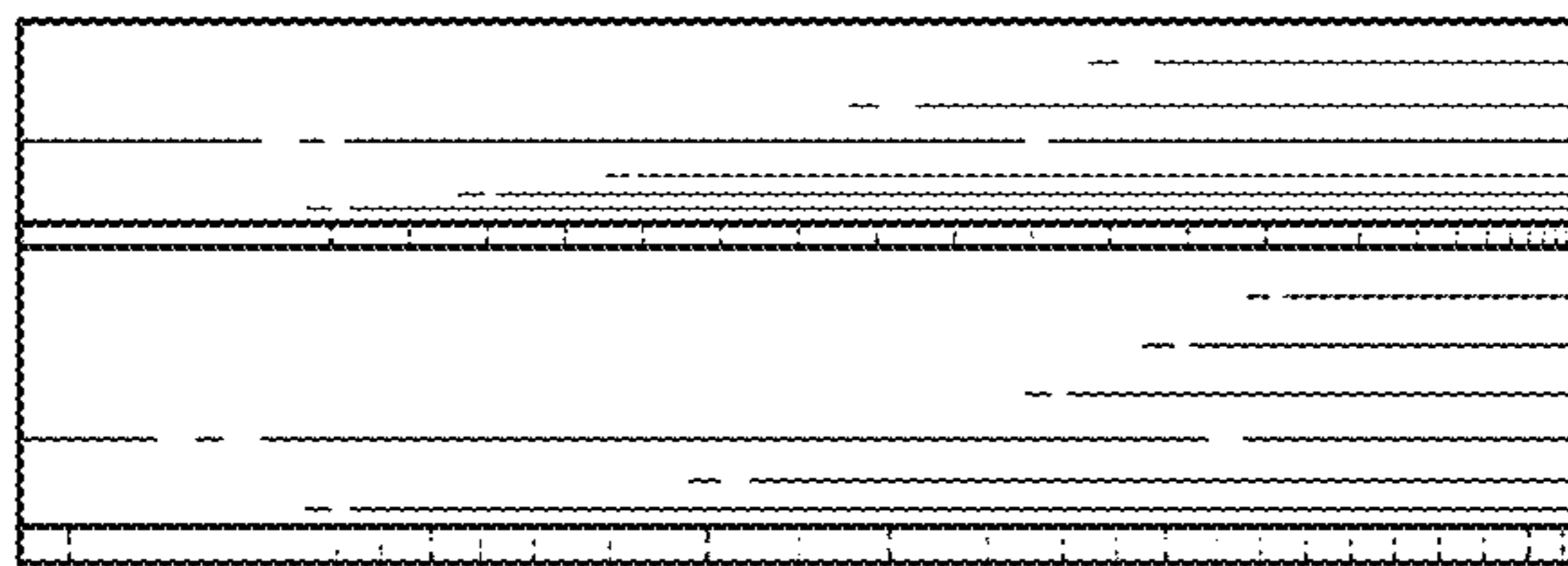
**FIG. 4**



**FIG. 5**



**FIG. 6**



**FIG. 7**