



US00D839587S

(12) **United States Design Patent** (10) **Patent No.:** **US D839,587 S**
Beilman (45) **Date of Patent:** **** Feb. 5, 2019**

(54) **COSMETIC CASE**
(71) Applicant: **Debra L. Beilman**, Aventura, FL (US)
(72) Inventor: **Debra L. Beilman**, Aventura, FL (US)
(**) Term: **15 Years**
(21) Appl. No.: **29/614,982**

D308,756 S 6/1990 Turner
D321,284 S 11/1991 Marsella et al.
D342,156 S 12/1993 Turner
D344,412 S 2/1994 Barnhart
5,363,969 A 11/1994 Shen
D370,342 S 6/1996 Gwyther
5,813,420 A 9/1998 Sussman
D411,648 S 6/1999 Markham
D413,627 S 9/1999 Gray

(Continued)

(22) Filed: **Aug. 24, 2017**
(51) **LOC (11) Cl.** **03-02**
(52) **U.S. Cl.**
USPC **D3/205**
(58) **Field of Classification Search**
USPC D3/205, 206, 315-317
CPC A45C 11/00
See application file for complete search history.

FOREIGN PATENT DOCUMENTS

GB 2363712 1/2002

OTHER PUBLICATIONS

The Cosmetic Center Advertising Circular, 1991, Second Page Item Q on Lower Left.

(Continued)

(56) **References Cited**
U.S. PATENT DOCUMENTS

1,414,899 A 5/1922 Sabatelli
1,592,457 A 7/1926 Greenberg
2,003,824 A 6/1935 Cavalero
2,084,292 A 6/1937 Steiner
D108,590 S 2/1938 Zell
2,117,140 A 5/1938 Bowen
D111,177 S 9/1938 Gamble
2,278,866 A 4/1942 Dell'elba
D139,428 S 11/1944 Morris
D162,402 S 3/1951 Gold
2,570,314 A 10/1951 Brand
2,649,799 A 8/1953 Spertus
2,916,841 A 12/1959 Denis
D202,160 S 8/1965 Territo
D224,921 S 10/1972 Daniels et al.
D230,773 S 3/1974 Arnold
3,921,649 A 11/1975 Milbrath
4,509,622 A * 4/1985 Morszeck A45C 13/10
190/119
4,526,273 A 7/1985 Tsuji et al.
4,574,944 A 3/1986 Gregory
D293,724 S 1/1988 Kingsford et al.

Primary Examiner — Charles D Hanson
(74) *Attorney, Agent, or Firm* — Malloy & Malloy, PL

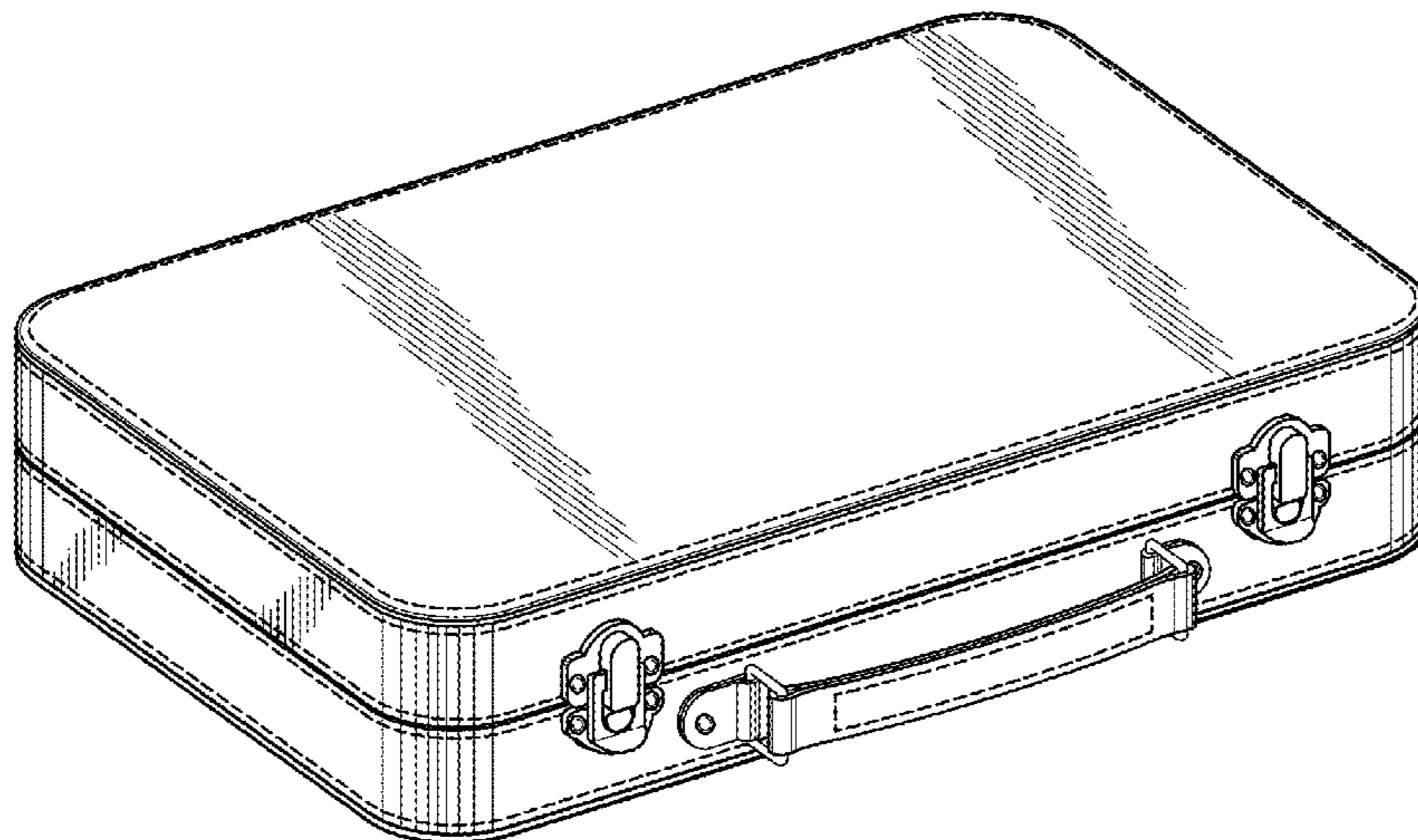
(57) **CLAIM**

The ornamental design for cosmetic case, as shown and described.

DESCRIPTION

FIG. 1 is a front perspective view illustrating my design for a cosmetic case;
FIG. 2 is a front elevation view thereof;
FIG. 3 is a left side view thereof;
FIG. 4 is a top view thereof;
FIG. 5 is a right side view thereof;
FIG. 6 is a bottom view thereof;
FIG. 7 is a rear view thereof; and,
FIG. 8 is a partially open front perspective view thereof.
The broken lines illustrate stitching and form part of the claimed design.

1 Claim, 8 Drawing Sheets



(56)

References Cited

U.S. PATENT DOCUMENTS

D415,614	S	10/1999	Akaike	
D417,783	S	12/1999	Wolf	
6,045,202	A	4/2000	Simon	
D444,596	S	7/2001	Lai	
6,349,494	B1	2/2002	Haggarty-Robbins	
D454,687	S	3/2002	Wolf	
D455,550	S	4/2002	Wolf	
D455,902	S	4/2002	Wolf	
D457,687	S	5/2002	Millar	
D467,428	S	12/2002	Wolf	
D471,010	S	3/2003	Wolf	
D475,197	S	6/2003	Stoddard	
D475,811	S	6/2003	Bontempo	
D480,211	S	10/2003	Wolf	
D482,210	S	11/2003	Bishop	
D485,018	S	1/2004	Beilman	
D485,066	S	1/2004	Wolf	
D485,067	S	1/2004	Wolf	
D485,682	S	1/2004	Wolf	
D493,919	S	8/2004	Beilman	
D496,791	S	10/2004	Perella et al.	
D499,883	S	* 12/2004	Perella	D3/276
D504,039	S	4/2005	Perella	
D510,189	S	10/2005	Greiner	
D517,737	S	3/2006	Lai	
D522,746	S	6/2006	Perella	
D524,989	S	7/2006	Lombardi	
D527,521	S	9/2006	Sijmons	
D542,475	S	5/2007	Martinez	
D561,462	S	* 2/2008	Perella	D3/206
D577,196	S	9/2008	Hayden	
D588,810	S	3/2009	Rowlett et al.	
D631,201	S	1/2011	Lai	
D642,373	S	* 8/2011	Decarlo	D3/204
D657,915	S	4/2012	Lai	
D671,742	S	4/2012	Cenzano et al.	
D688,006	S	8/2013	Lai	
D688,831	S	8/2013	Giardina	
D692,183	S	10/2013	Lai	
D723,794	S	3/2015	Lai	
D728,860	S	5/2015	Blanch	
D734,549	S	7/2015	Waller	
D735,993	S	8/2015	Koepke et al.	
D736,519	S	8/2015	Chui	
D740,019	S	* 10/2015	Hynek	D3/205
D745,276	S	12/2015	Wang	
D752,290	S	3/2016	Beilman et al.	
D757,434	S	5/2016	Beilman et al.	
D770,770	S	* 11/2016	White	D3/295
D773,185	S	12/2016	Beilman et al.	
D773,186	S	12/2016	Beilman et al.	
D774,759	S	12/2016	Beilman et al.	
D779,201	S	2/2017	Beilman et al.	

2004/0003825	A1	1/2004	Kelly
2004/0188275	A1	9/2004	Wolf
2007/0235056	A1	10/2007	Vintimiglia et al.
2009/0139878	A1	6/2009	Wejrowski
2014/0299151	A1	10/2014	Stroud
2015/0114852	A1	4/2015	Torline

OTHER PUBLICATIONS

Hong Kong Enterprise Jun. 1993, p. 202: Item No. G902OB.
 Hong Kong Enterprise October 1994, p. 760: Item No. M17D.
 Cameo Cosmetics. "M229 Train Case". Accessed Nov. 2, 2015. (<http://www.cameocosmetic.com/m229-train-case/>).
 Google Image Search. "Ulta Sparkle Shine Kit", Accessed Nov. 2, 2015. (https://www.google.com/search?q=ulta+sparkle+shine+kit&es_sm=122&source=Inms&tbm=isch&sa=X&ved=0CAgQ_AUoAmoVChMlu4T-5Y_yyAIVgWomCh0mWgkD&biw=1920&bih=1067#imgrc=uWr-Z3gEyjn0MM%3A).
 Amazon.com, "Ivation All-In-One Makeup Kit in Highly Fashionable Red Leather-look Train Case". Reviewed Sep. 21, 2014. Accessed Oct. 30, 2015. (http://www.amazon.com/Ivation-All-In-One-Makeup-Fashionable-Leather-look/dp/B00N9A78HG/ref=cm_cr_pr_product_top?ie=UTF8).
 Amazon.com, "Shany All in One Makeup Kit". Reviewed Nov. 12, 2012. Accessed Sep. 30, 2015. (http://www.amazon.com/SHANY-Eyeshadow-Blushes-Lipstick-Exclusive/dp/B008PW0PY6/ref=cm_cr_pr_product_top?ie=UTF8).
 Giordano Colors, "Catalog" p. 2, item indicated with arrow. Accessed Oct. 30, 2015. (<http://www.giordanocolors.com/#!/products/c24vq>).
 youtube.com user "Supermodel Secrets", "Listen Listen Listen! Shany USA Home and Professional Make Up Sets Review" Video published Jan. 2, 2013. Accessed Oct. 30, 2015. (<https://www.youtube.com/watch?v=9NbzcG2D2U>).
 Avon Lady of NJ Blog. "Are you set to give?!", posted Nov. 23, 2013. Accessed Nov. 2, 2015. "p. 2 Gilded Treasures Makeup Set" (<http://avonladynj.com/2013/11/23/are-you-set-to-give/>).
 YouTube, "Giveaway Prize Details! Ulta Be Discovered 67 Piece Collection", (3:50-8:32 relevant), Posted Nov. 20, 2015, Accessed Apr. 6, 2016, (<https://www.youtube.com/watch?v=Azu7Qdta8Po>).
 AliExpress, ". . . Yellow Jewelry holder Elliptic Large space jewelry box", Accessed Apr. 13, 2016, (<http://www.aliexpress.com/...pendants-yellowjewelry-holder-Elliptic-Large-space-jewelry/1388033940.html?spm=2114.40010308.4.105.DL9Gbr>).
 Freebies for a Cause Blog, "Ulta:\$175 Worth of Ulta Cosmetics Just \$22.44 Shipped! . . .", Accessed Apr. 6, 2016. Posted Oct. 4, 2015. (<http://freebiesforacause.com/ulta-175-worth-of-ulta-cosmetics-just-22-44-sguoed-plust-possible-2x-ultamate-rewards-points/>).
 Amazon.com, "Shany Carry All Trunk Professional Makeup Kit" Accessed Apr. 6, 2016, Reviewed as early as Dec. 2, 2010. (http://www.amazon.com/gp/product/B002XXAUE8/ref=s9_dcacsd_bhz_bw_c_x_1).

* cited by examiner

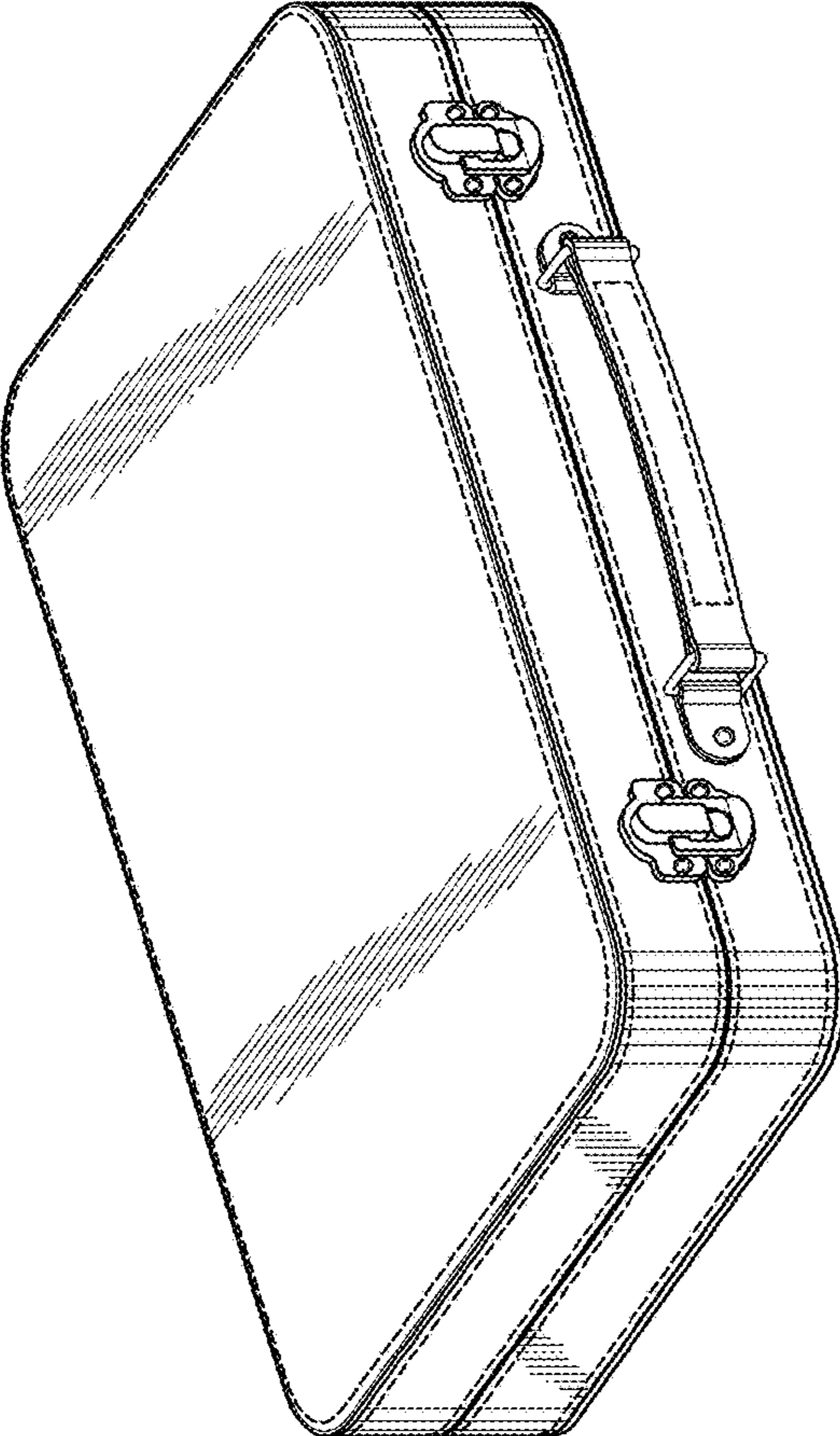


FIG. 1

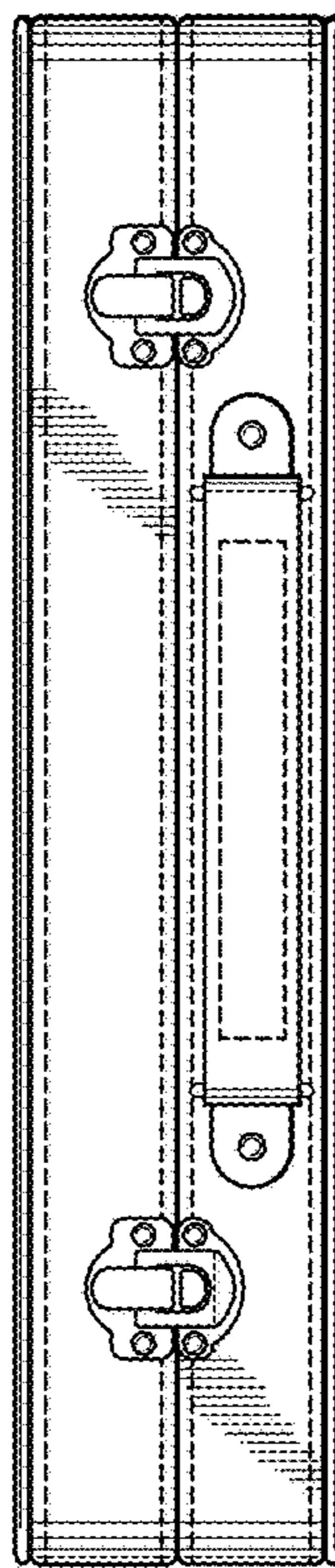


FIG. 2

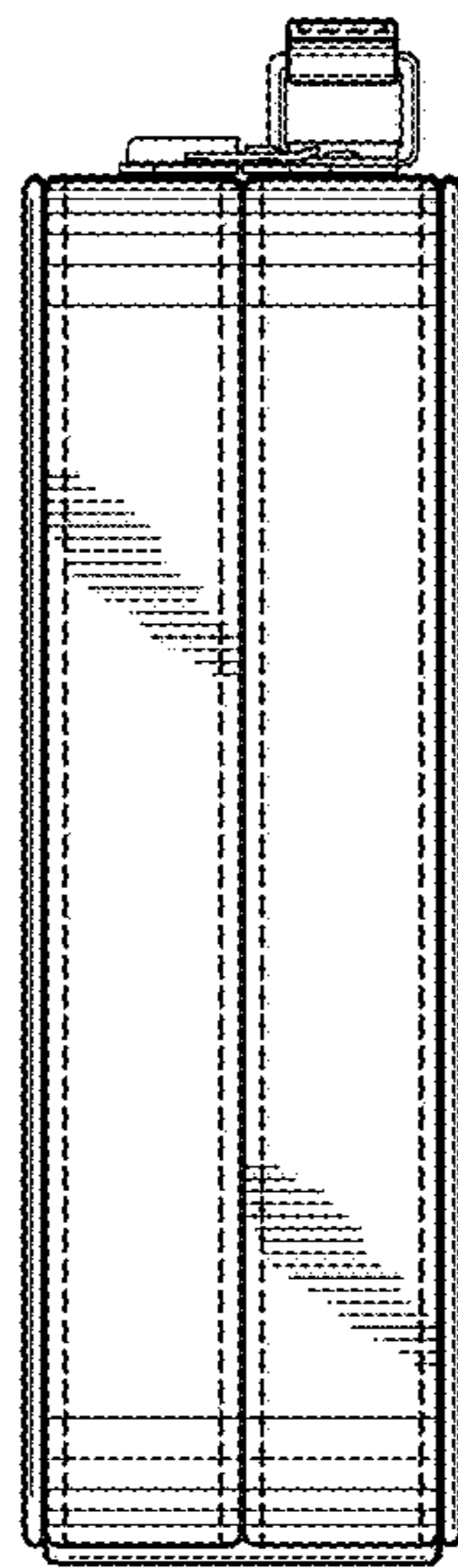


FIG. 3

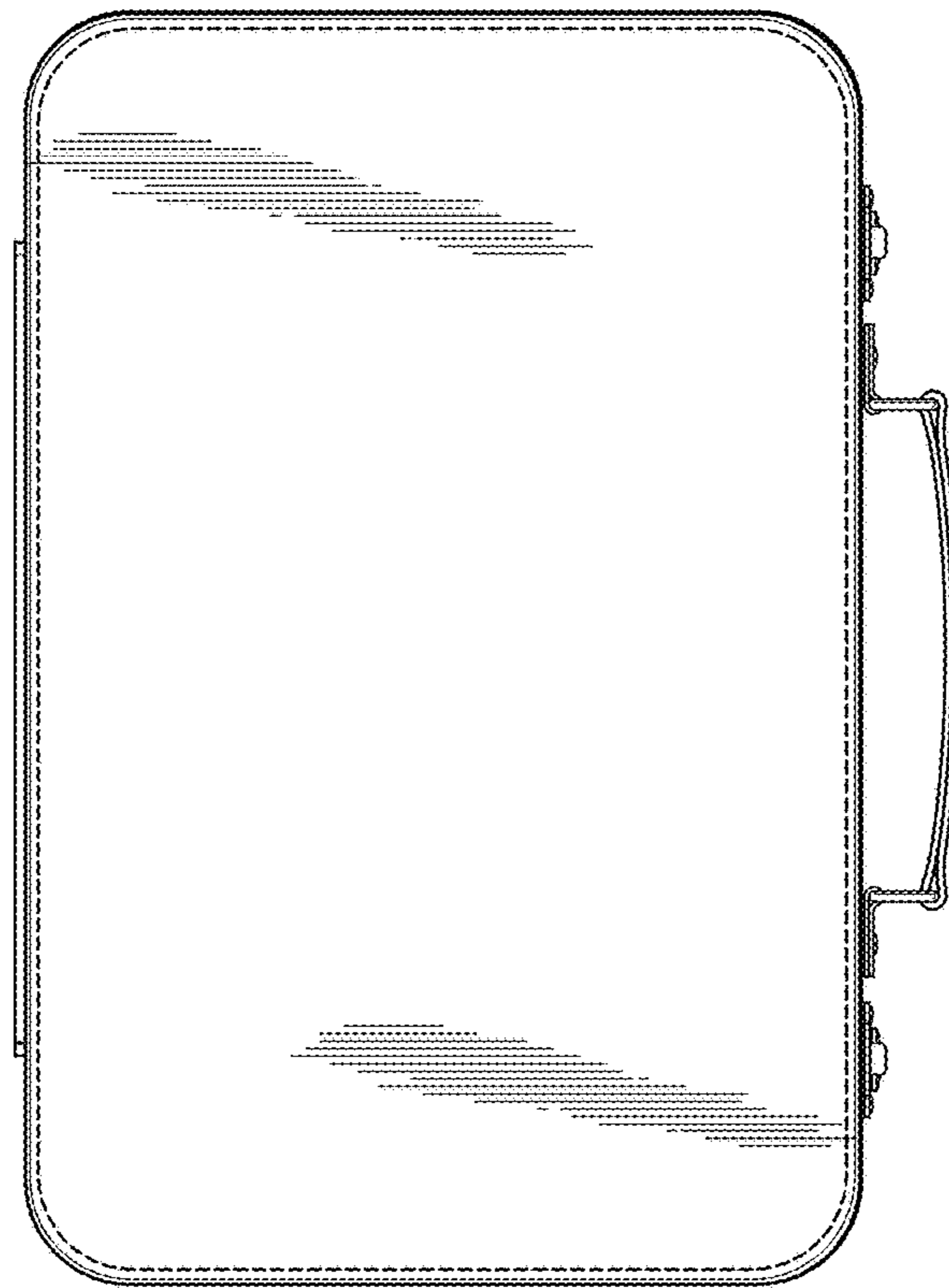


FIG. 4

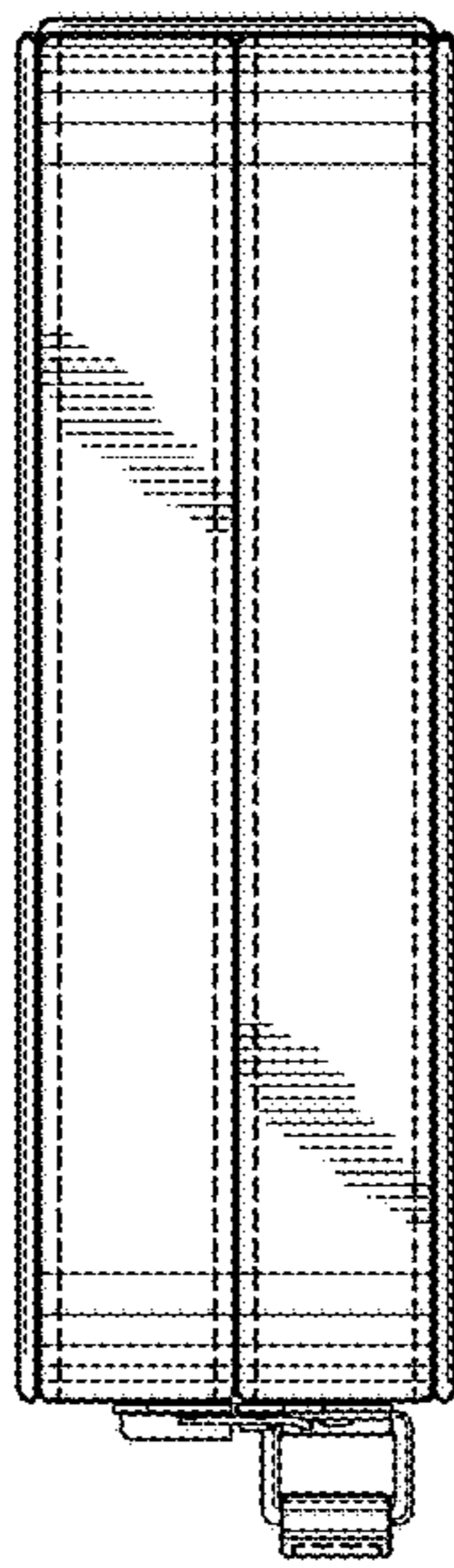


FIG. 5

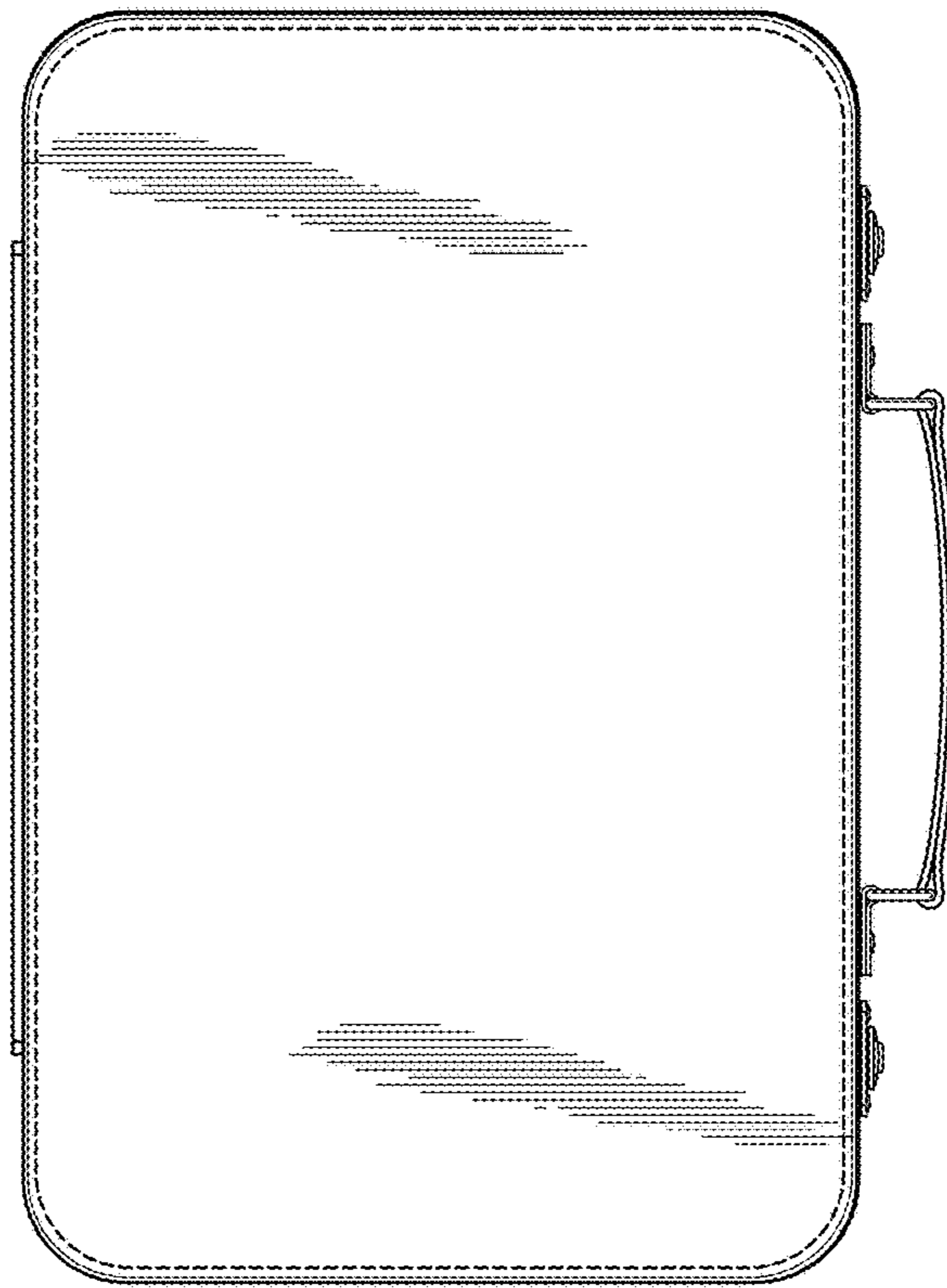


FIG. 6

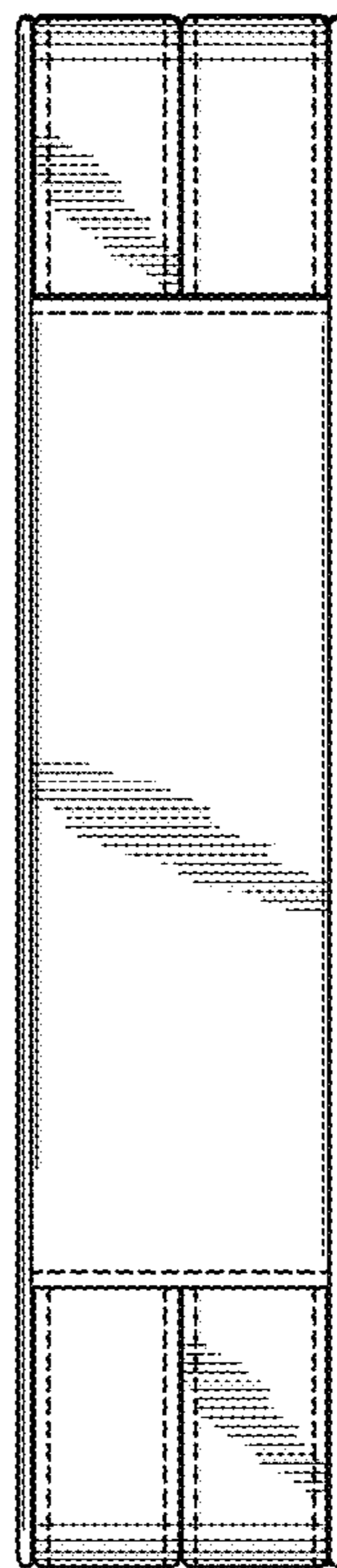


FIG. 7

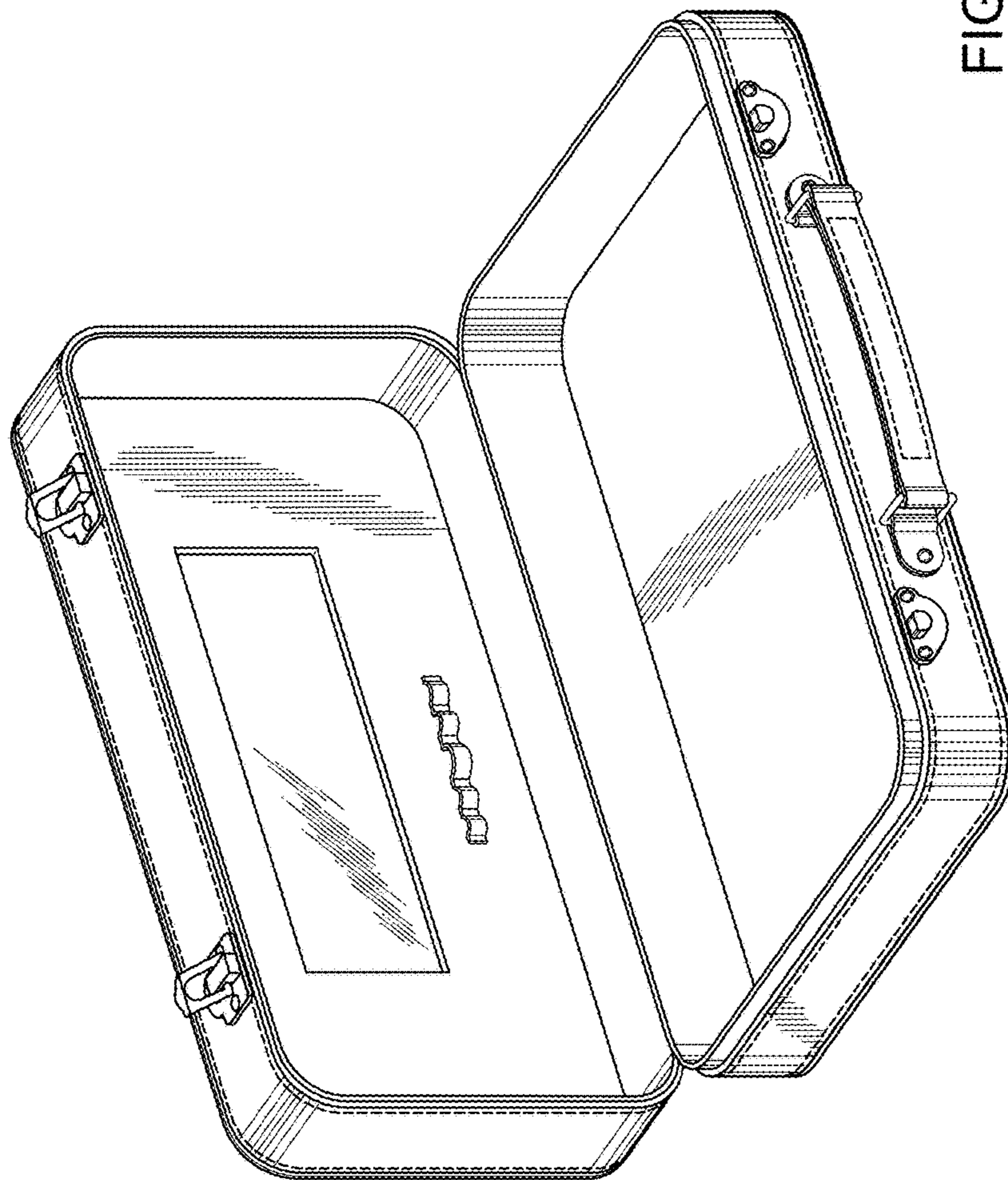


FIG. 8