



US00D839584S

(12) **United States Design Patent**
Kim et al.

(10) **Patent No.:** **US D839,584 S**
(45) **Date of Patent:** **** Feb. 5, 2019**

(54) **MEDICATION PACKAGING AND DISPENSING SYSTEM**

(71) Applicant: **AbbVie Inc.**, North Chicago, IL (US)

(72) Inventors: **Lori Kim**, Green Oaks, IL (US);
Alexandra Breban-Lopez, Northbrook, IL (US); **Guy Upchurch**, Chicago, IL (US); **Bhimaprasad Medhal**, Lake Forest, IL (US); **Lewis Sita**, Kildeer, IL (US); **Dejan Bojicic**, Chicago, IL (US); **John G. Finch**, Vernon Hills, IL (US)

(73) Assignee: **AbbVie Inc.**, North Chicago, IL (US)

(**) Term: **15 Years**

(21) Appl. No.: **29/649,023**

(22) Filed: **May 25, 2018**

Related U.S. Application Data

(63) Continuation of application No. 29/542,930, filed on Oct. 19, 2015, now Pat. No. Des. 821,088.

(51) **LOC (11) Cl.** **03-01**

(52) **U.S. Cl.**
USPC **D3/203.3**

(58) **Field of Classification Search**
USPC D3/201, 203.1, 203.2, 203.3, 203.7,
D3/203.8; D9/414, 421, 423, 432, 456;
D19/21, 25; D20/40

(Continued)

(56) **References Cited**

U.S. PATENT DOCUMENTS

1,042,935 A 10/1912 Lines
1,120,238 A 12/1914 Porter
(Continued)

FOREIGN PATENT DOCUMENTS

EP 2028115 A1 2/2009
EP 1349727 B1 12/2010
(Continued)

Primary Examiner — Robert A Delehanty

(74) *Attorney, Agent, or Firm* — Armstrong Teasdale LLP

(57) **CLAIM**

We claim the ornamental design for a medication packaging and dispensing system, as substantially shown and described.

DESCRIPTION

FIG. 1 is a front perspective view of a medication packaging and dispensing system including a lid shown in a closed position.

FIG. 2 is a front elevational view of the medication packaging and dispensing system shown in FIG. 1.

FIG. 3 is a rear elevational view of the medication packaging and dispensing system shown in FIG. 1.

FIG. 4 is a right side elevational view of the medication packaging and dispensing system shown in FIG. 1.

FIG. 5 is a left side elevational view of the medication packaging and dispensing system shown in FIG. 1.

FIG. 6 is a top view of the medication packaging and dispensing system shown in FIG. 1.

FIG. 7 is a bottom view of the medication packaging and dispensing system shown in FIG. 1.

FIG. 8 is a front perspective view of the medication packaging and dispensing system shown in FIG. 1 with the lid shown in an open position and an inner panel shown in a closed position.

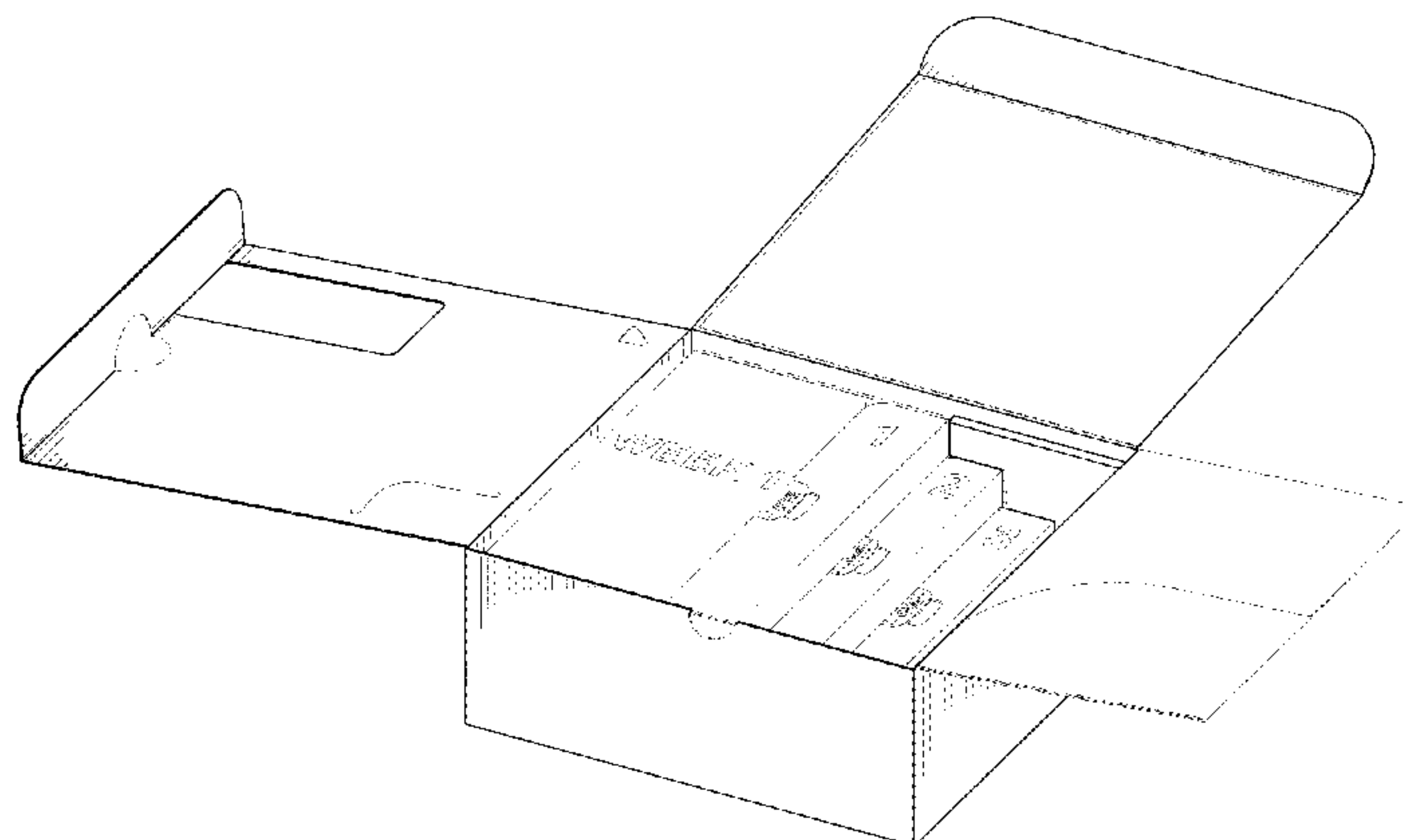
FIG. 9 is a top view of the medication packaging and dispensing system shown in FIG. 8.

FIG. 10 is a front perspective view of the medication packaging and dispensing system shown in FIG. 1 with the lid shown in the open position and the inner panel shown in the open position; and,

FIG. 11 is a top view of the medication packaging and dispensing system shown in FIG. 10.

FIGS. 1-11 are various views of a medication packaging and dispensing system in accordance with the present design. The medication packaging and dispensing system includes a container and a tray insert.

1 Claim, 11 Drawing Sheets



- (58) **Field of Classification Search**
 CPC B65D 83/0463; B65D 83/04; B65D
 83/0445; A61J 1/035; A61J 7/04; A61J
 7/0076
 See application file for complete search history.

(56) **References Cited**

U.S. PATENT DOCUMENTS

1,610,834	A	12/1926	Webster
1,977,466	A	10/1934	Bohnke
2,013,281	A	9/1935	McCalla
2,103,241	A	12/1937	Bell
D132,820	S	1/1942	Wolteger et al.
2,430,166	A	11/1947	Fish et al.
2,502,561	A	4/1950	Ebert
2,788,827	A	4/1957	Banner
2,801,754	A	8/1957	Dorfman
3,308,934	A	3/1967	Reiner
3,911,606	A	10/1975	Hunkins
4,228,904	A	10/1980	Dumond
4,304,354	A	12/1981	Shermer
4,436,243	A	3/1984	Nason et al.
D323,347	S	1/1992	Vlassich
5,082,137	A	1/1992	Weinstein
D365,023	S	12/1995	Abrams et al.
D378,661	S	4/1997	Campbell-Scott
D383,064	S	9/1997	Tsukikawa
D390,781	S	2/1998	Neusy
D395,391	S	6/1998	Landis et al.
5,878,888	A	3/1999	Faughey et al.
D420,586	S	2/2000	MacEachern et al.
D438,791	S	3/2001	Tsuruishi et al.
6,273,260	B1	8/2001	ColDepietro et al.
6,338,535	B1	1/2002	Rickert
6,659,280	B2	12/2003	Paliotta et al.
6,752,272	B2	6/2004	Jones et al.
D502,031	S	2/2005	Cassidy et al.
6,951,282	B2	10/2005	Jones

D521,862	S	5/2006	Siethoff et al.
D522,357	S	6/2006	Kohnke et al.
D555,724	S	11/2007	Brodie
7,401,702	B2	7/2008	Hession
D576,787	S	9/2008	Fulmer Mason
7,497,331	B2	3/2009	Pham
D606,855	S	12/2009	Jo et al.
7,624,869	B2	12/2009	Primer
7,699,173	B2	4/2010	Hession
7,780,007	B2	8/2010	Baker
7,891,492	B2	2/2011	Wenninger et al.
7,905,355	B2	3/2011	Williams-Hartman
D636,173	S	4/2011	Wood
8,011,512	B2	9/2011	Brollier et al.
8,091,708	B2	1/2012	Loftin et al.
D661,082	S	6/2012	Wingate, III
D663,112	S	7/2012	Fulmer Mason
D667,295	S	9/2012	Harwanko
D668,948	S	10/2012	LaTrobe
8,317,017	B2	11/2012	Edwards et al.
D680,318	S	4/2013	Denzinger
D698,639	S	2/2014	Fletcher et al.
D700,773	S	3/2014	Lupkas
D709,364	S	7/2014	Olsson et al.
D715,041	S	10/2014	McMillen
D742,739	S	11/2015	Kim et al.
D765,388	S	9/2016	Suess
D772,559	S	11/2016	Binder et al.
D789,196	S	6/2017	Waters
D791,965	S	7/2017	Ochranek et al.
D798,040	S	9/2017	Binder et al.
2003/0168376	A1	9/2003	Taneja et al.
2008/0200321	A1	8/2008	Bittner et al.
2010/0012544	A1	1/2010	Paliotta et al.
2012/0160735	A1	6/2012	Waidelich
2014/0262839	A1	9/2014	Le et al.

FOREIGN PATENT DOCUMENTS

JP	2000109152	A1	4/2000
JP	3159413	U	5/2010

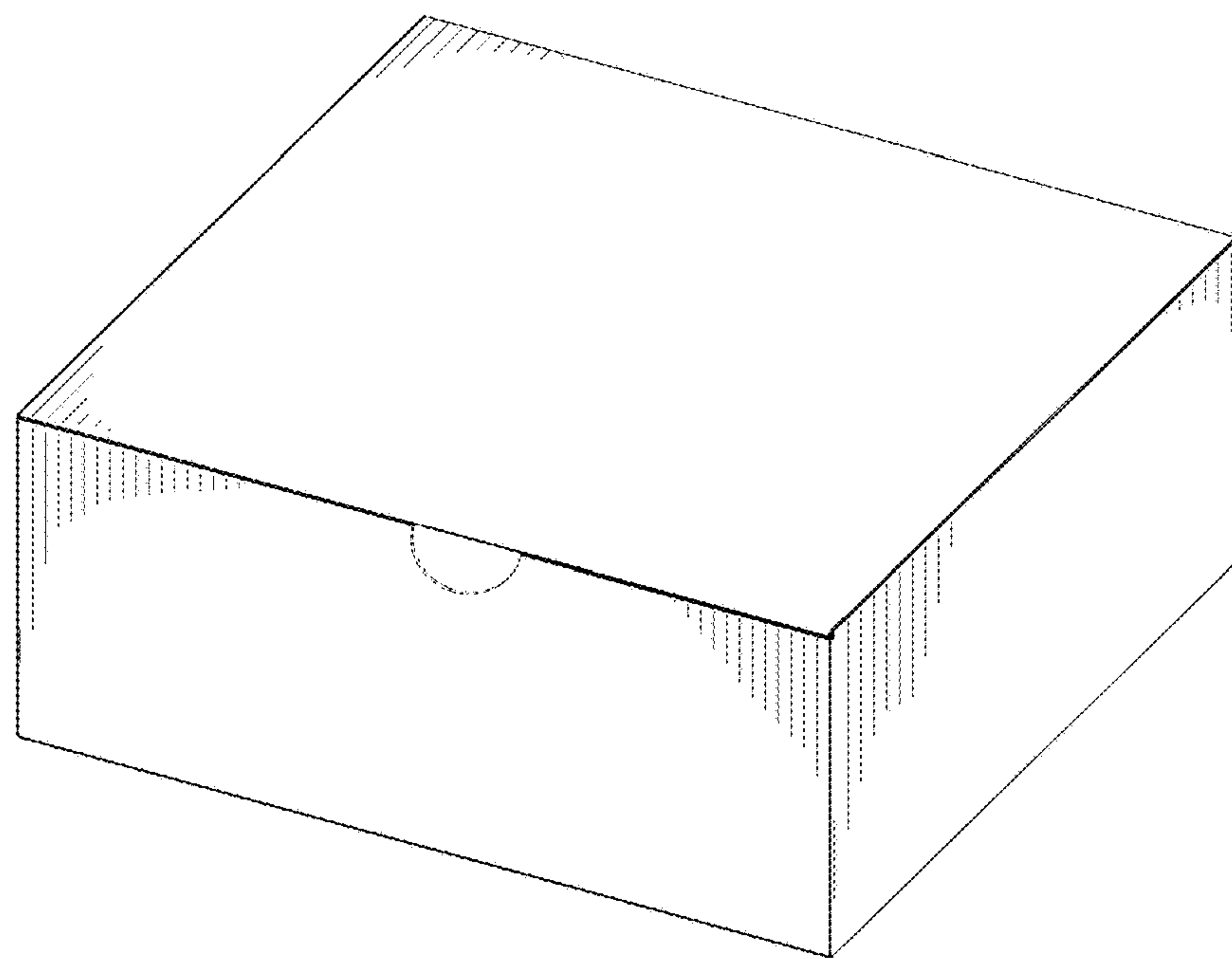


FIG. 1

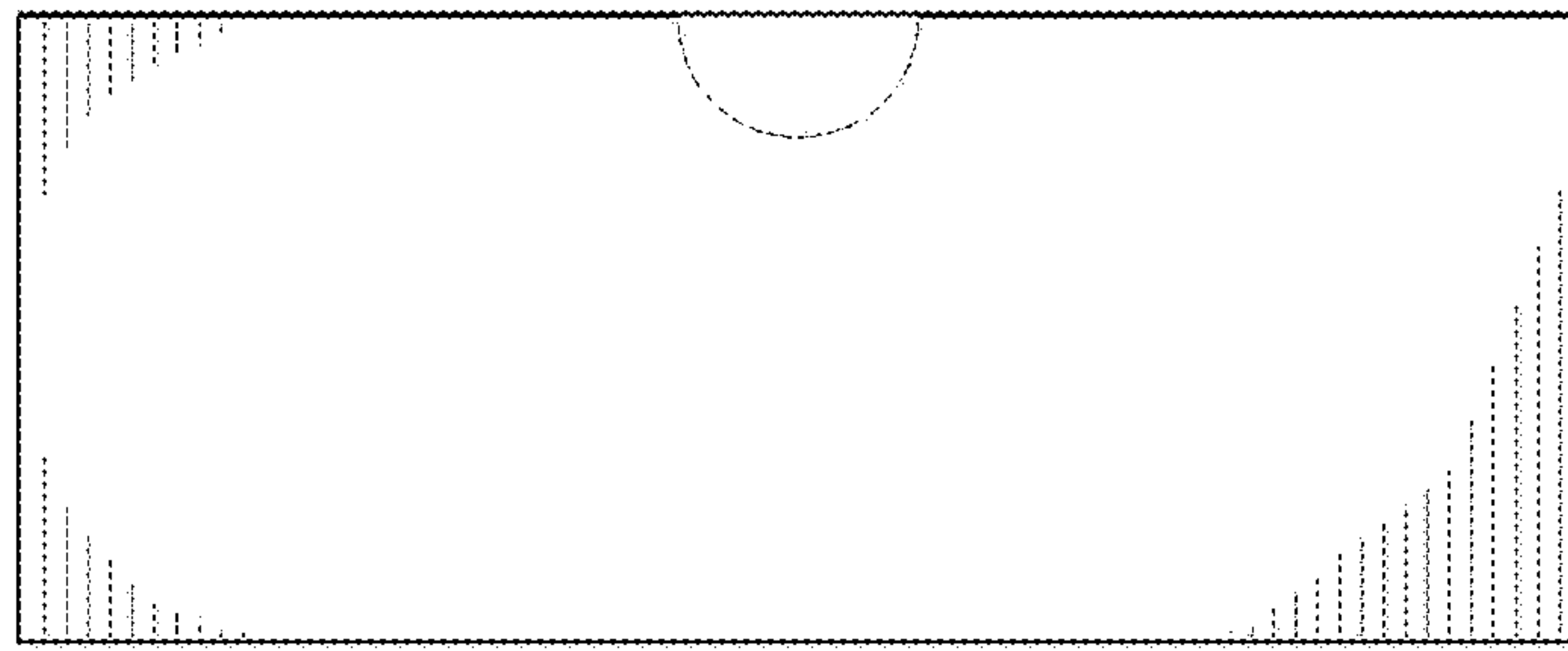


FIG. 2

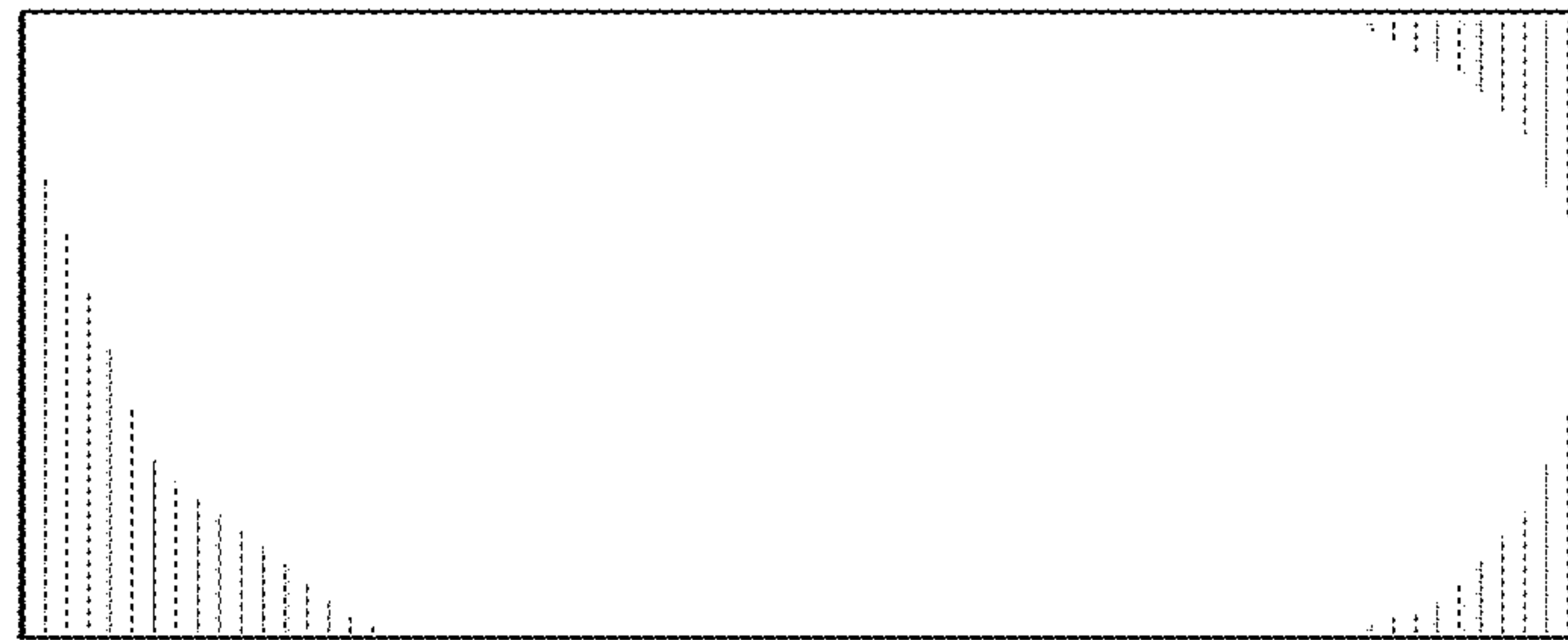


FIG. 3

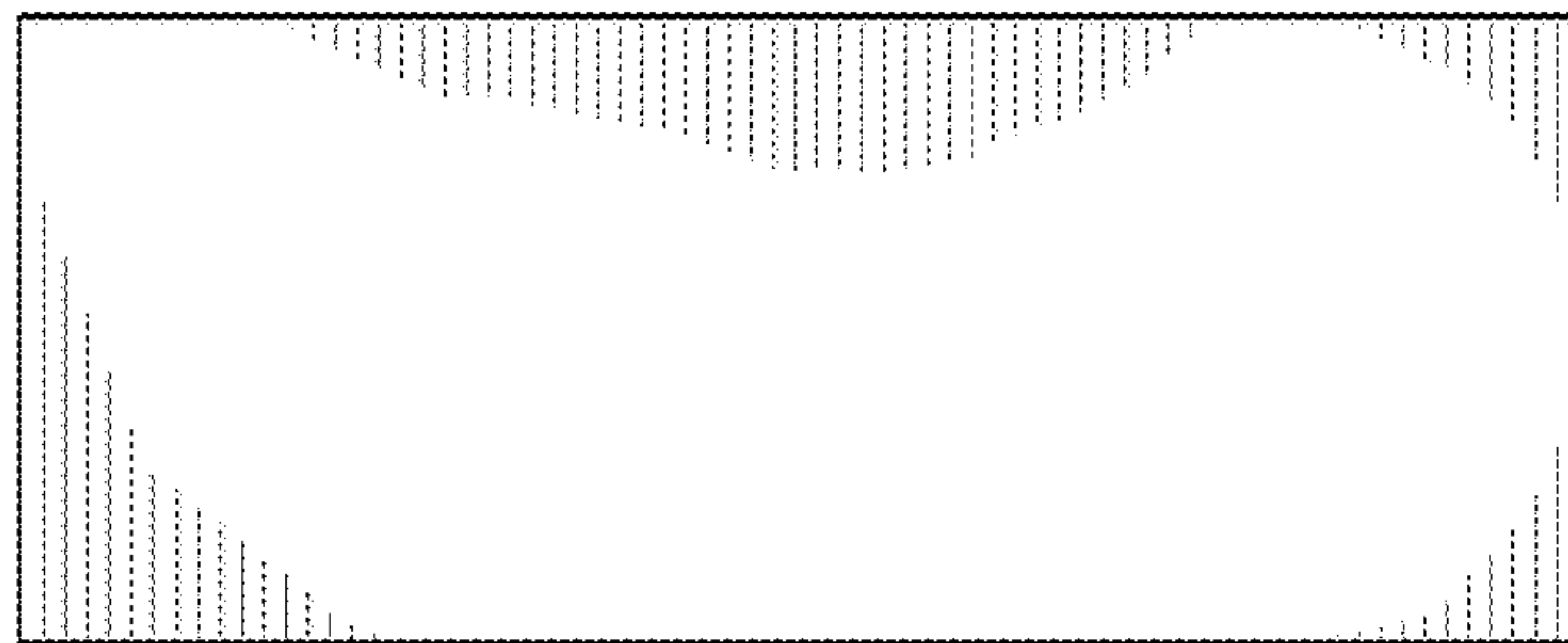


FIG. 4

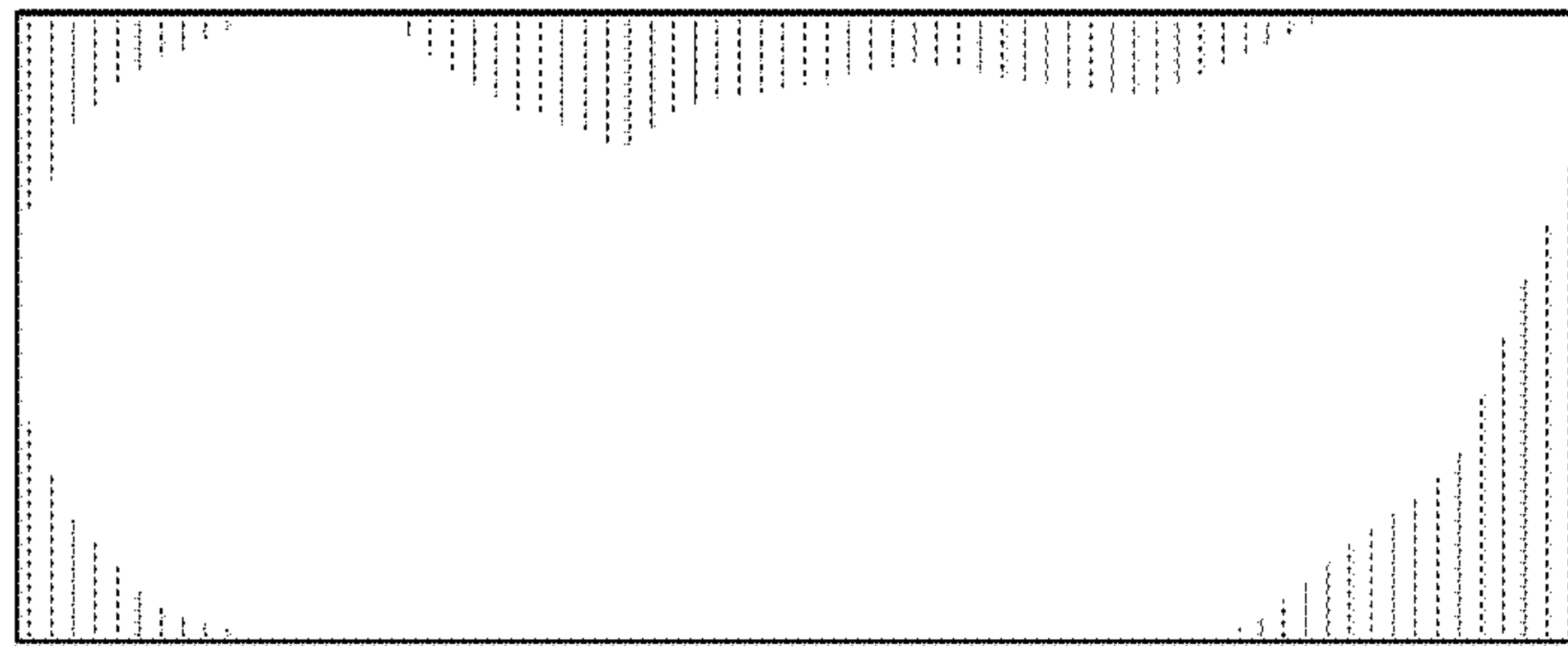


FIG. 5



FIG. 6

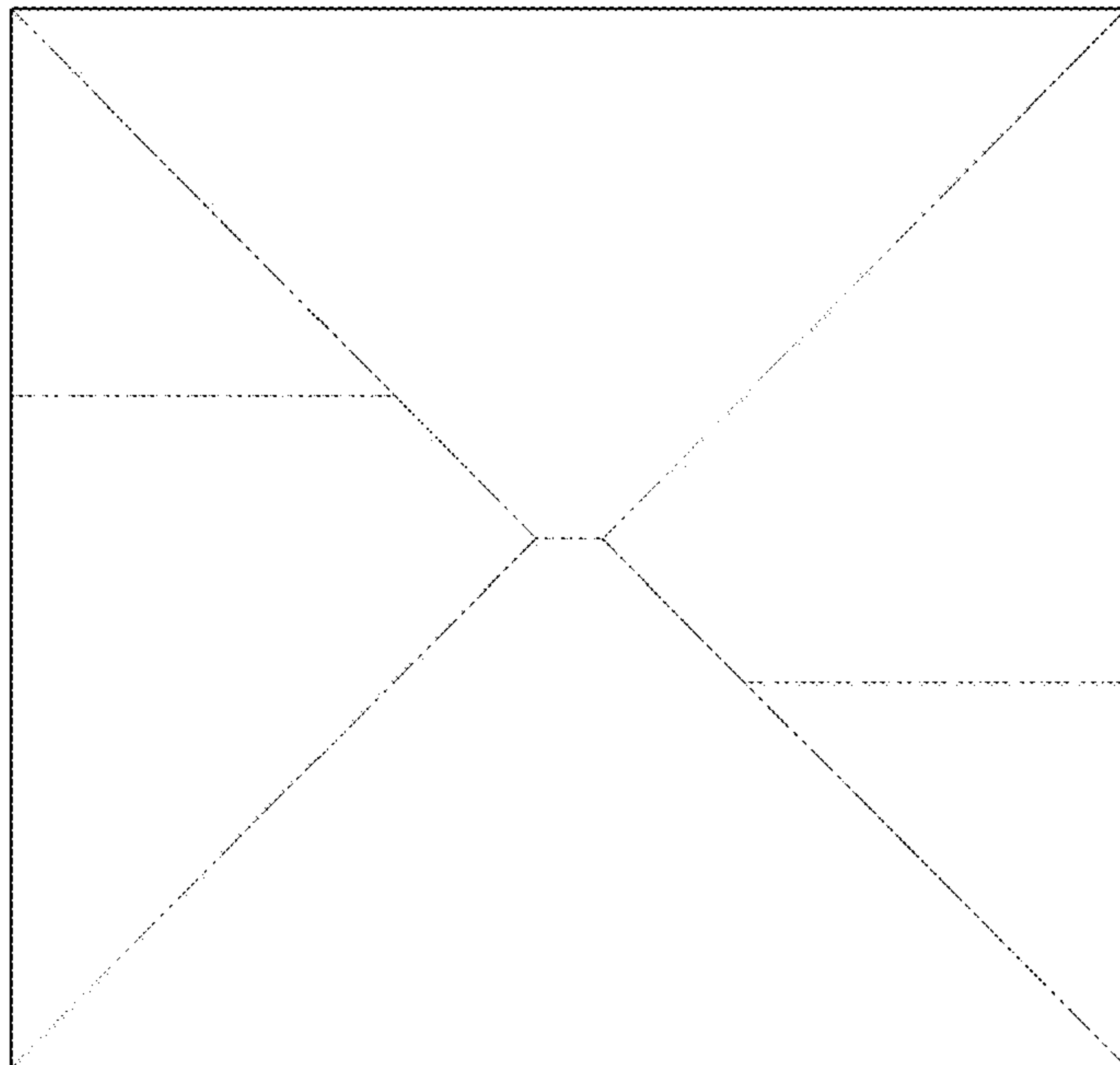


FIG. 7

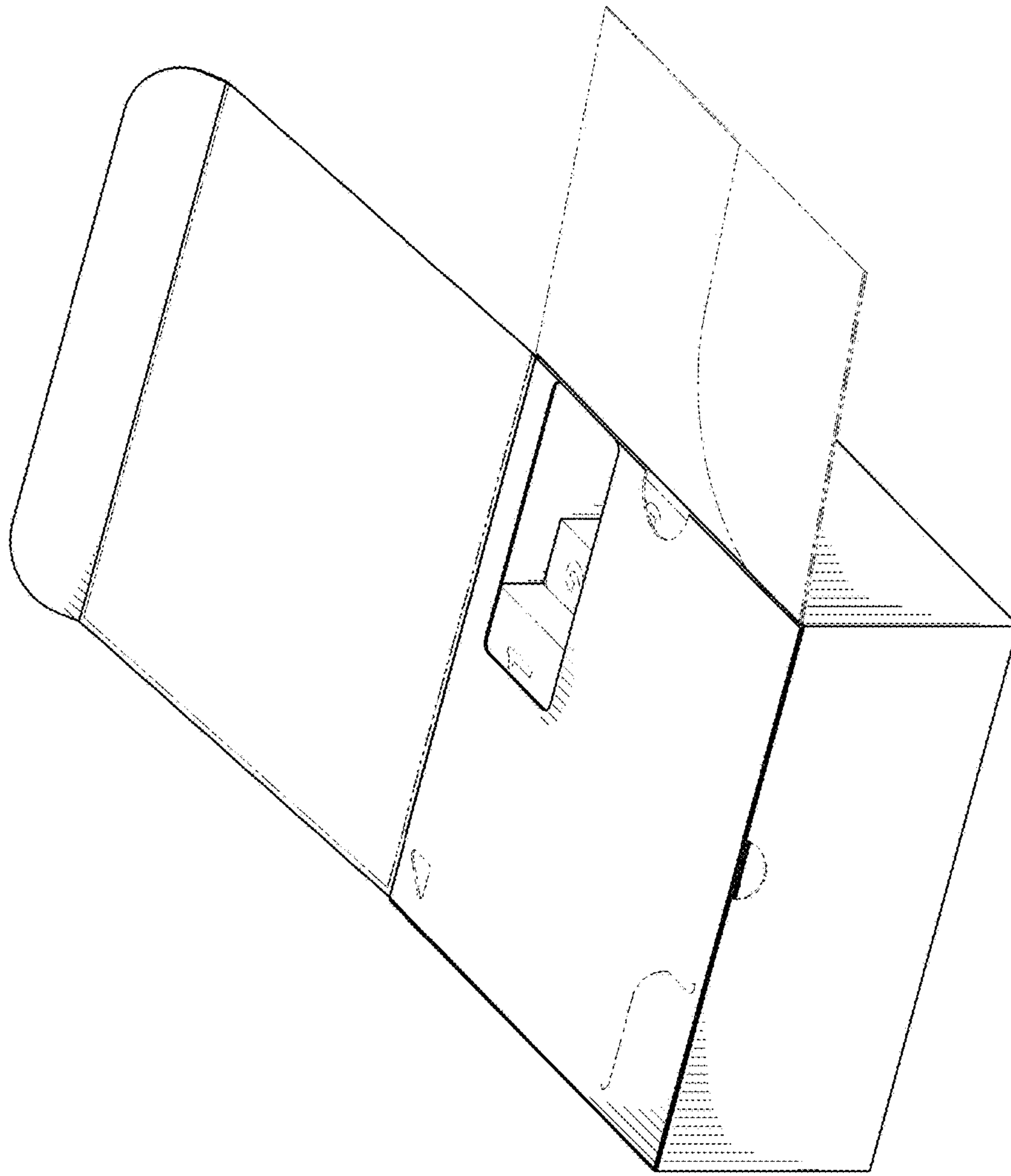


FIG. 8

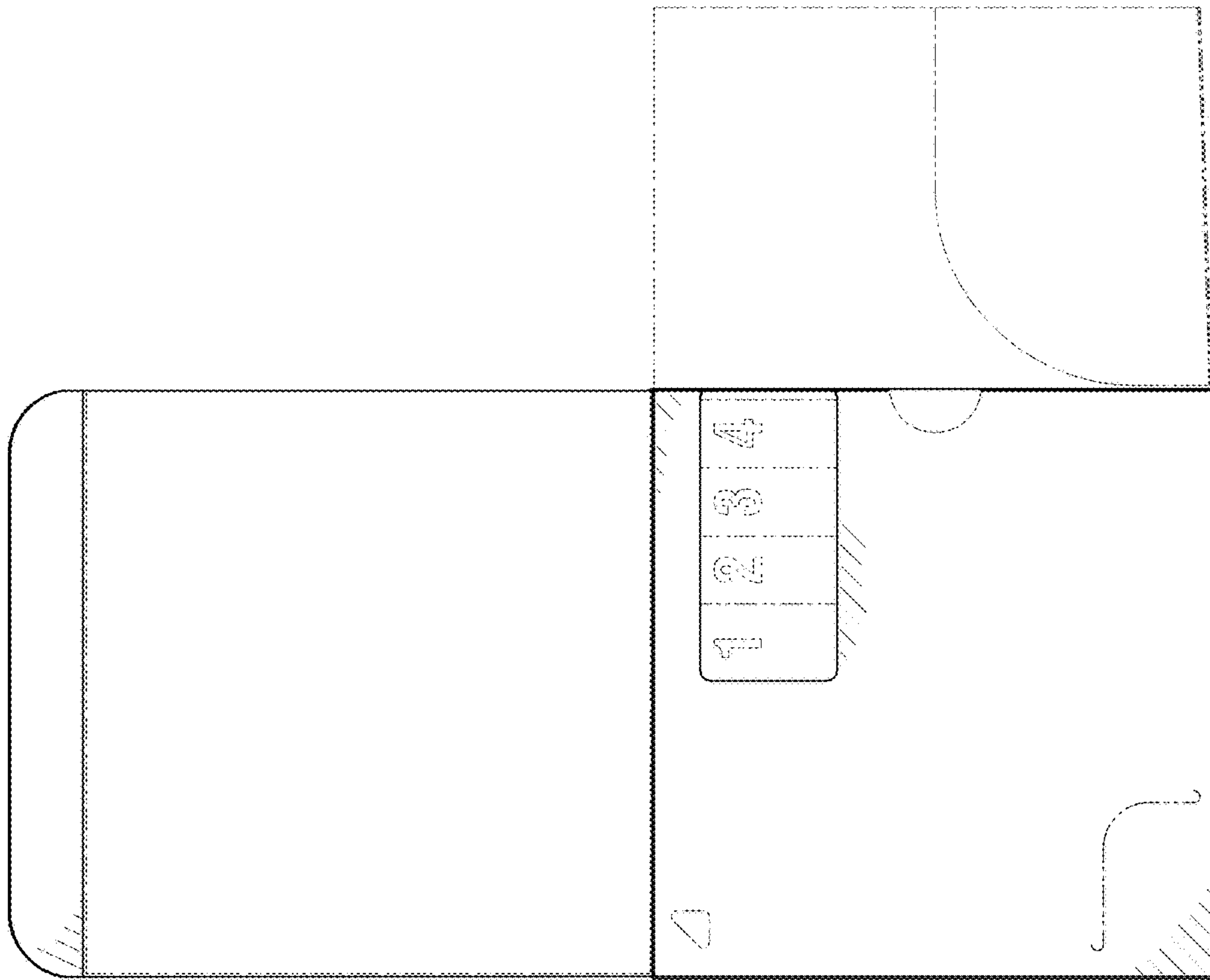


FIG. 9

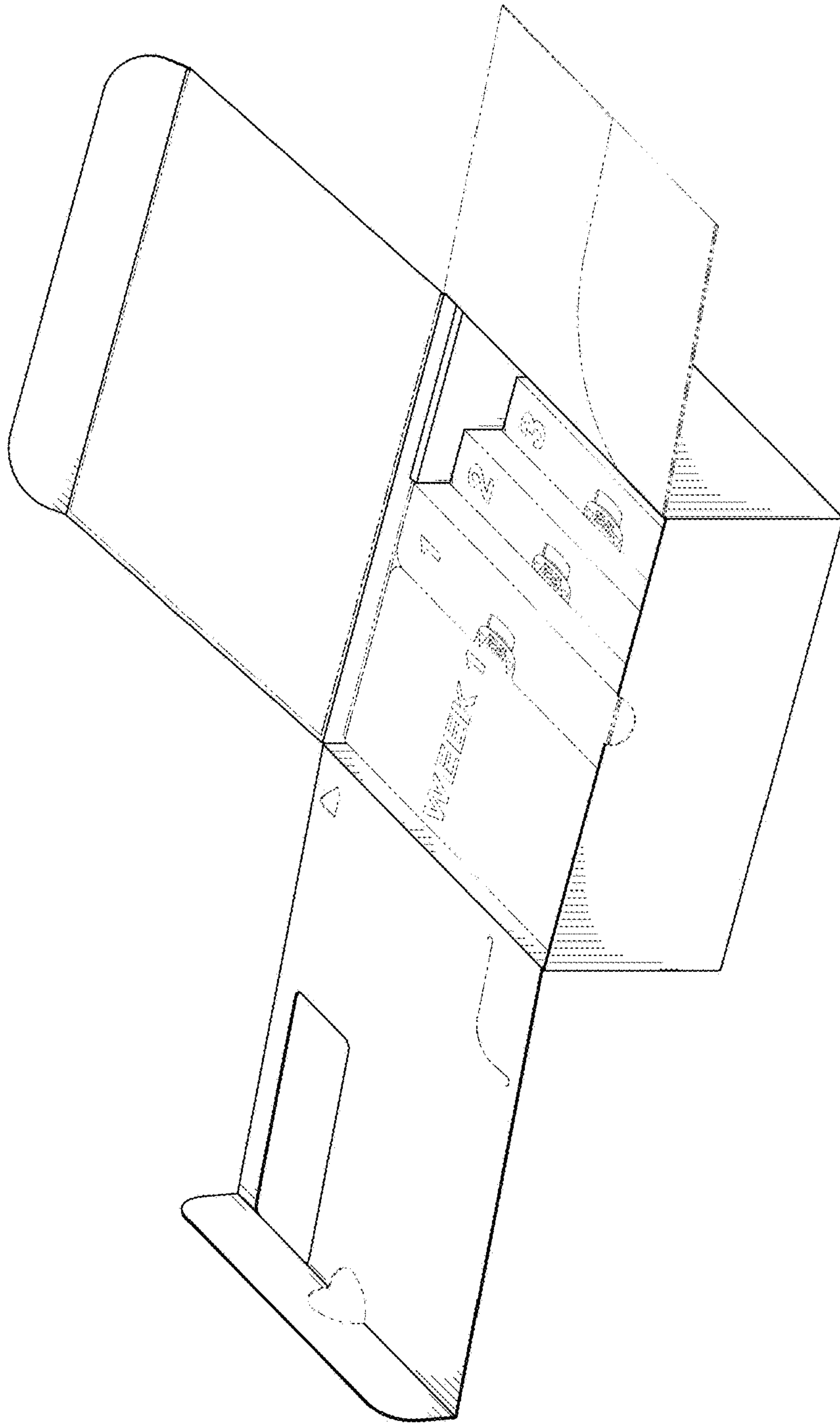


FIG. 10

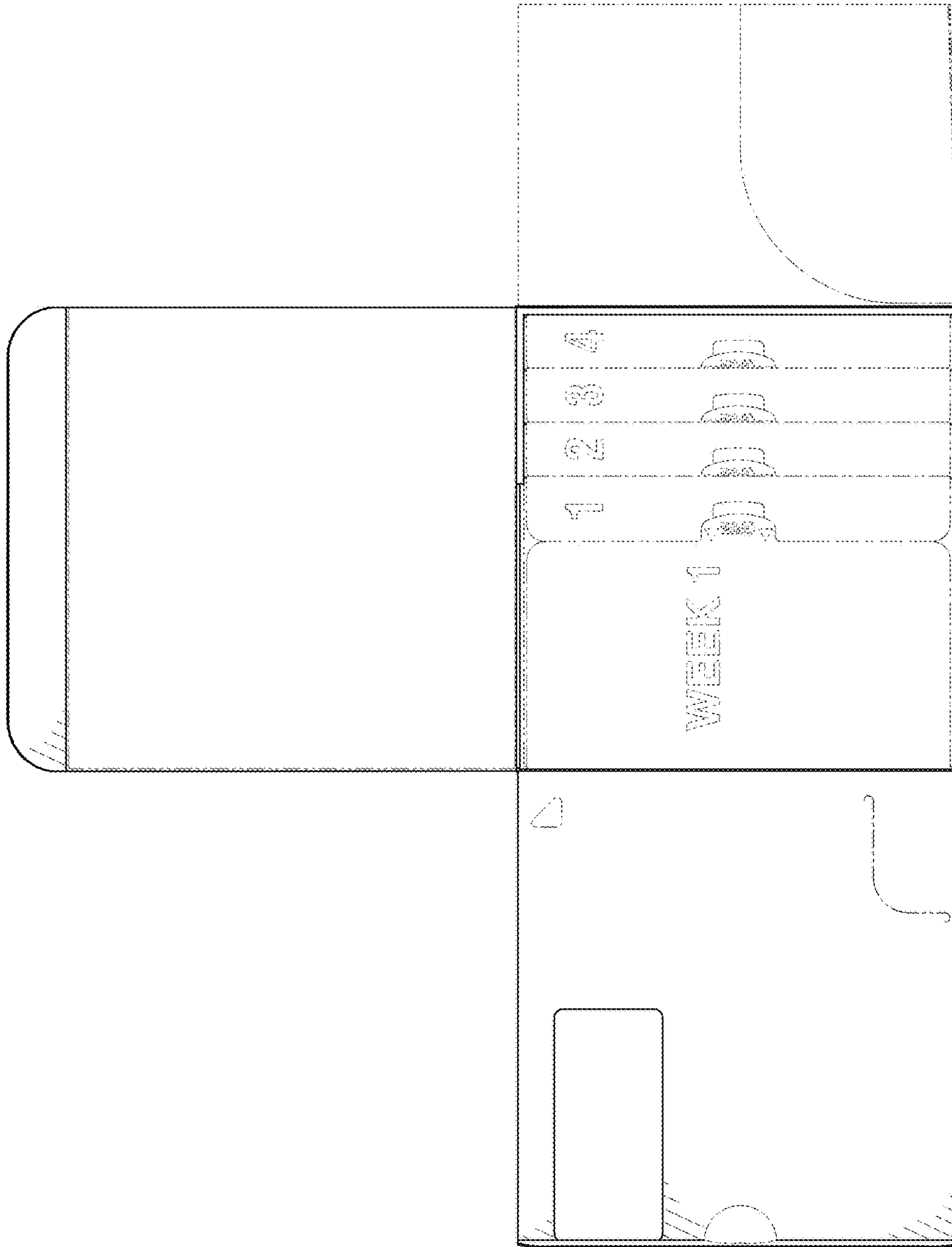


FIG. 11