



US00D839578S

(12) **United States Design Patent**  
**Foust**

(10) **Patent No.:** **US D839,578 S**  
(45) **Date of Patent:** **\*\* Feb. 5, 2019**

- (54) **BOOT**
- (71) Applicant: **LaCrosse Footwear, Inc.**, Portland, OR (US)
- (72) Inventor: **Ryan James Foust**, Portland, OR (US)
- (73) Assignee: **LaCrosse Footwear, Inc.**, Portland, OR (US)
- (\*\*) Term: **15 Years**
- (21) Appl. No.: **29/595,882**
- (22) Filed: **Mar. 2, 2017**

**Related U.S. Application Data**

- (63) Continuation of application No. 29/542,644, filed on Oct. 15, 2015, now Pat. No. Des. 781,030.
- (51) **LOC (11) Cl.** ..... **02-04**
- (52) **U.S. Cl.**  
USPC ..... **D2/970; D2/910**
- (58) **Field of Classification Search**  
USPC ..... D2/896, 900, 909–911, 943, 946, 969, D2/970, 974  
CPC ..... A43C 1/00; A43C 11/004; A43B 3/16; A43B 23/00  
See application file for complete search history.

**References Cited**

**U.S. PATENT DOCUMENTS**

- 3,091,871 A \* 6/1963 Tronche ..... A43B 7/32 36/71
- D205,181 S \* 7/1966 Vise ..... 36/136

- 4,184,273 A \* 1/1980 Boyer ..... A43B 3/02 36/118.2
- 4,587,749 A \* 5/1986 Berlese ..... A43B 7/08 36/131
- D315,823 S \* 4/1991 Signori ..... D2/910
- D479,903 S \* 9/2003 Mazzarolo ..... D2/909
- D624,295 S \* 9/2010 McCarron ..... D2/910
- D711,086 S \* 8/2014 Anderson ..... A43B 3/02 D2/970
- D722,761 S \* 2/2015 Monroy ..... D2/970
- D803,526 S \* 11/2017 Barker ..... D2/910

\* cited by examiner

*Primary Examiner* — Rashida C. Walshon

(74) *Attorney, Agent, or Firm* — Perkins Coie LLP

(57) **CLAIM**

The ornamental design for the boot, as shown and described.

**DESCRIPTION**

FIG. 1 is an isometric view of a boot showing my new design.  
 FIG. 2 is a front elevational view thereof.  
 FIG. 3 is a rear elevational view thereof.  
 FIG. 4 is a right-side elevational view thereof.  
 FIG. 5 is a left-side elevational view thereof.  
 FIG. 6 is a top plan view thereof; and,  
 FIG. 7 is a bottom plan view thereof.  
 The broken lines in the drawings illustrate portions of the boot that form no part of the claim.

**1 Claim, 6 Drawing Sheets**



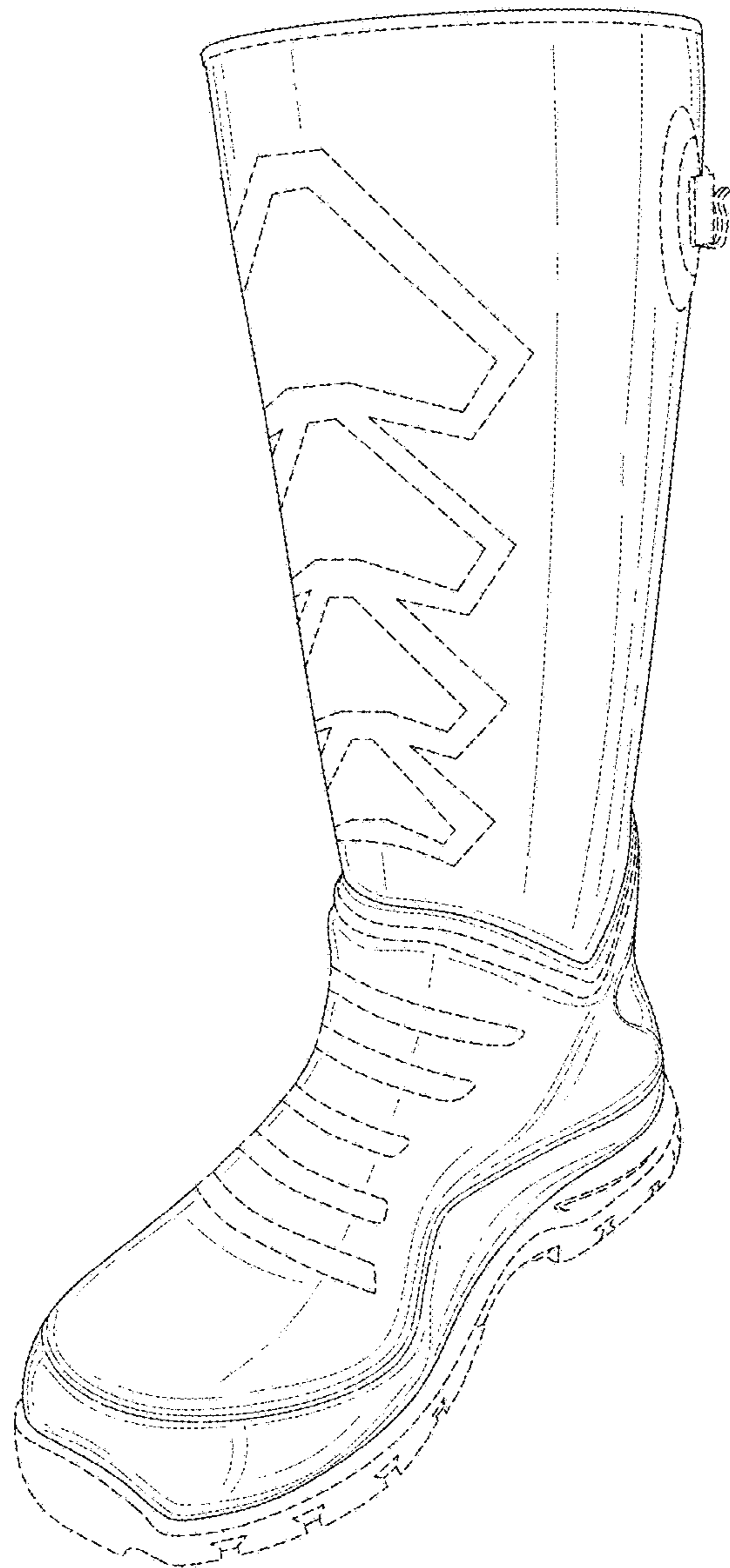
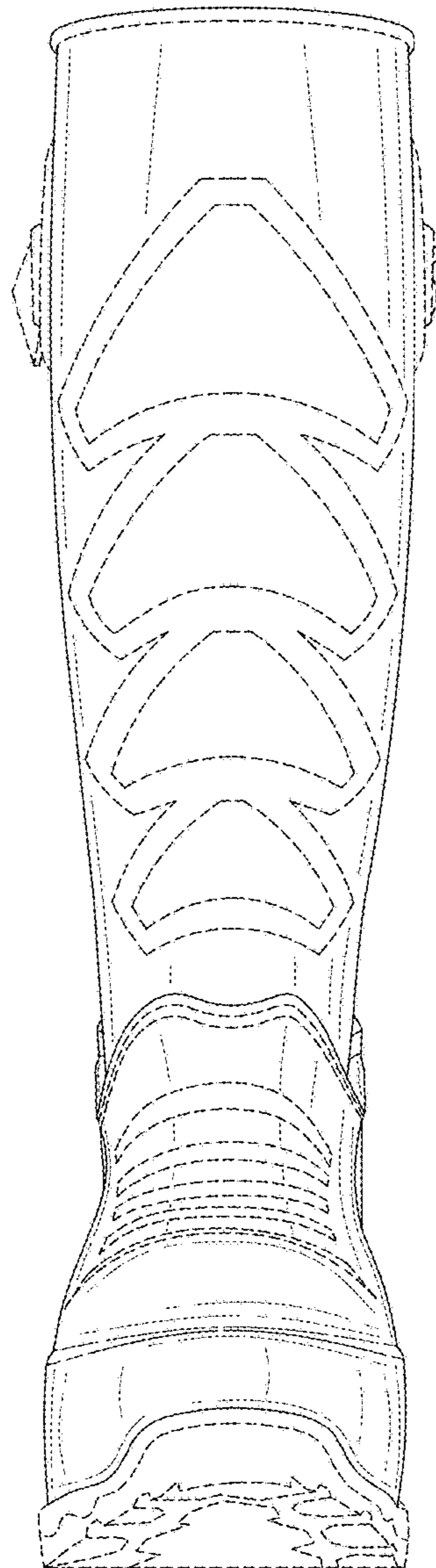
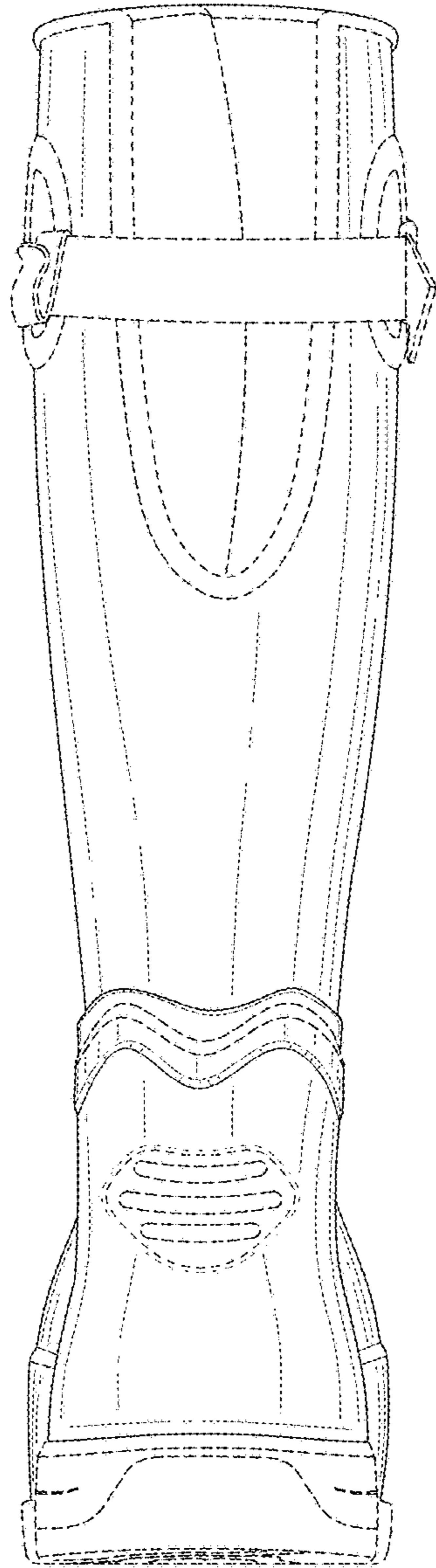


Fig. 1



*Fig. 2*



*Fig. 3*



Fig. 4



*Fig. 5*

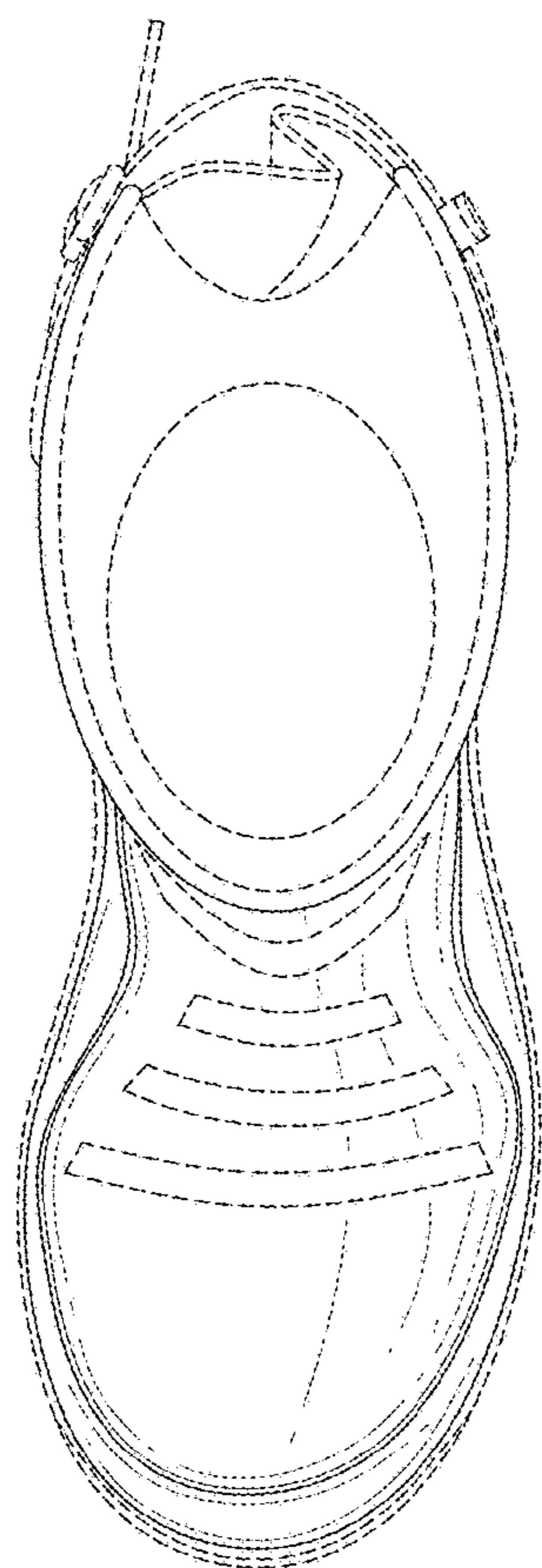


Fig. 6

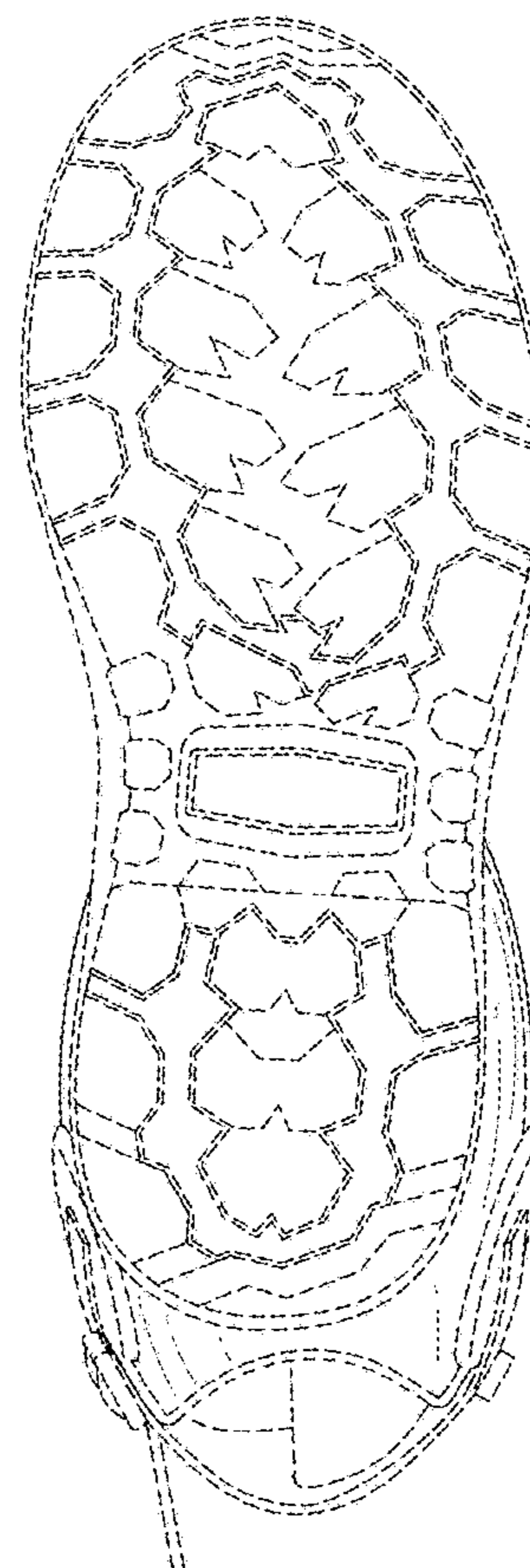


Fig. 7