



US00D839563S

(12) **United States Design Patent**
Karnazes

(10) **Patent No.:** **US D839,563 S**

(45) **Date of Patent:** **** Feb. 5, 2019**

- (54) **INSTABILITY FOOTWEAR SOLE**
- (71) Applicant: **Dean Karnazes**, Kentfield, CA (US)
- (72) Inventor: **Dean Karnazes**, Kentfield, CA (US)
- (**) Term: **15 Years**
- (21) Appl. No.: **29/602,135**
- (22) Filed: **Apr. 28, 2017**

Related U.S. Application Data

- (62) Division of application No. 29/524,385, filed on Apr. 20, 2015, now Pat. No. Des. 785,302.
- (51) **LOC (11) Cl.** **02-04**
- (52) **U.S. Cl.**
USPC **D2/947**; D2/951
- (58) **Field of Classification Search**
USPC D2/902, 906, 908, 916, 918, 925,
D2/946-962, 977; 36/3 B, 22 R, 24.5,
36/25 R, 28, 32 R, 34 R, 59 C, 67 A, 103
CPC A43B 13/00; A43B 13/02; A43B 13/023;
A43B 13/026; A43B 13/04; A43B 13/08;
A43B 13/10; A43B 13/12; A43B 13/14;
A43B 13/141; A43B 13/143; A43B
13/16; A43B 13/18; A43B 13/181; A43B
13/187; A43B 13/189; A43B 13/20; A43B
13/22; A43B 13/223; A43B 13/24; A43B
13/28; A43B 13/30; A43B 13/32; A43B
13/34; A43B 13/36

See application file for complete search history.

(56) **References Cited**

U.S. PATENT DOCUMENTS

- D258,396 S * 3/1981 Turner, Jr. D2/949
- 4,993,173 A * 2/1991 Gardiner A43B 7/081
36/3 B
- D319,339 S * 8/1991 Stringham D2/902
- D332,517 S * 1/1993 Middleton D2/916

- D401,050 S * 11/1998 Greenberg D2/969
- 6,421,935 B1 * 7/2002 Bartlett A43B 7/00
36/132
- D612,589 S * 3/2010 Kovacs A43B 7/081
D2/961
- 8,397,404 B2 * 3/2013 Kim A43B 5/00
36/103
- D731,766 S * 6/2015 Ellis D2/947
- 9,462,846 B2 * 10/2016 Litchfield A43B 13/12
- D781,039 S * 3/2017 Shane D2/951
- 2002/0026730 A1 * 3/2002 Whatley A43B 13/143
36/132
- 2002/0178621 A1 * 12/2002 Darby A43B 3/128
36/140
- 2003/0188455 A1 * 10/2003 Weaver, III A43B 3/0063
36/27
- 2003/0208930 A1 * 11/2003 Swigart A43B 7/144
36/29
- 2006/0021251 A1 * 2/2006 Swigart A43B 3/0031
36/29

(Continued)

Primary Examiner — T Chase Nelson

(74) *Attorney, Agent, or Firm* — Smyrski Law Group, A P.C.

(57) **CLAIM**

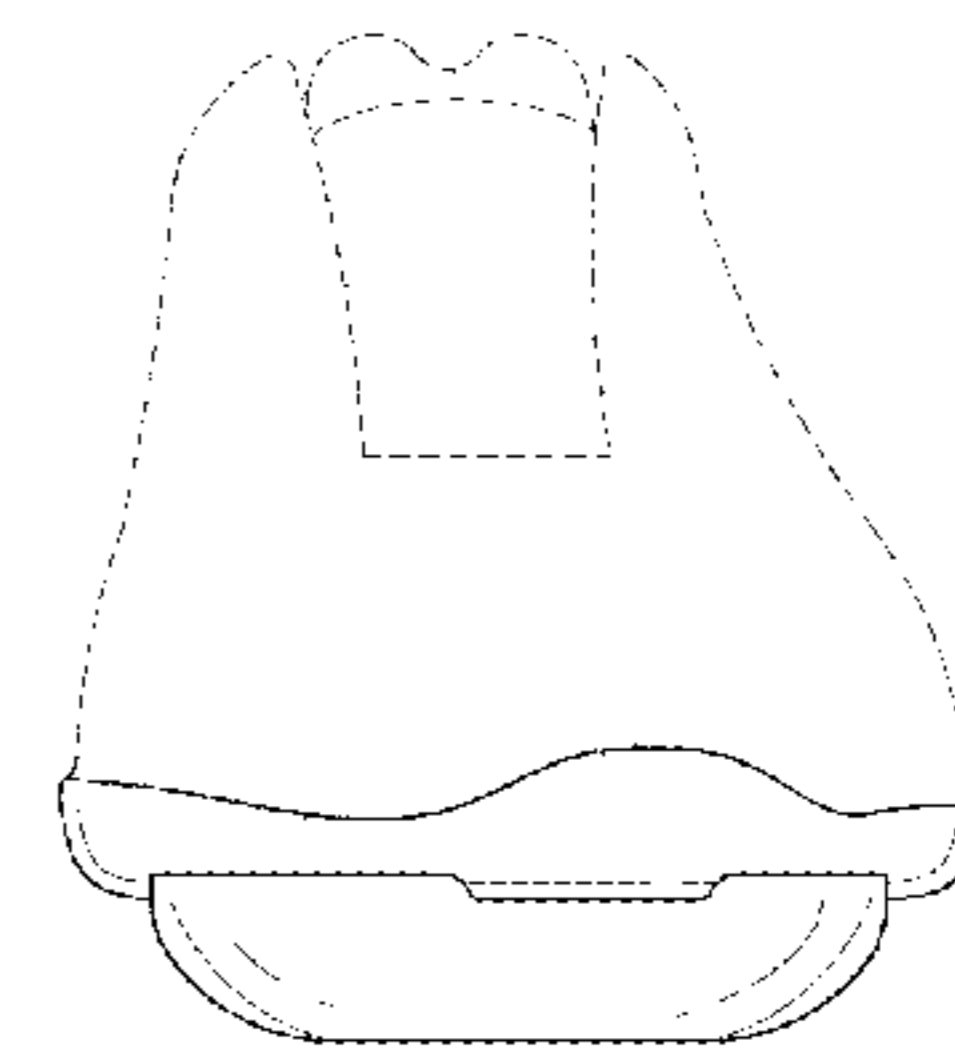
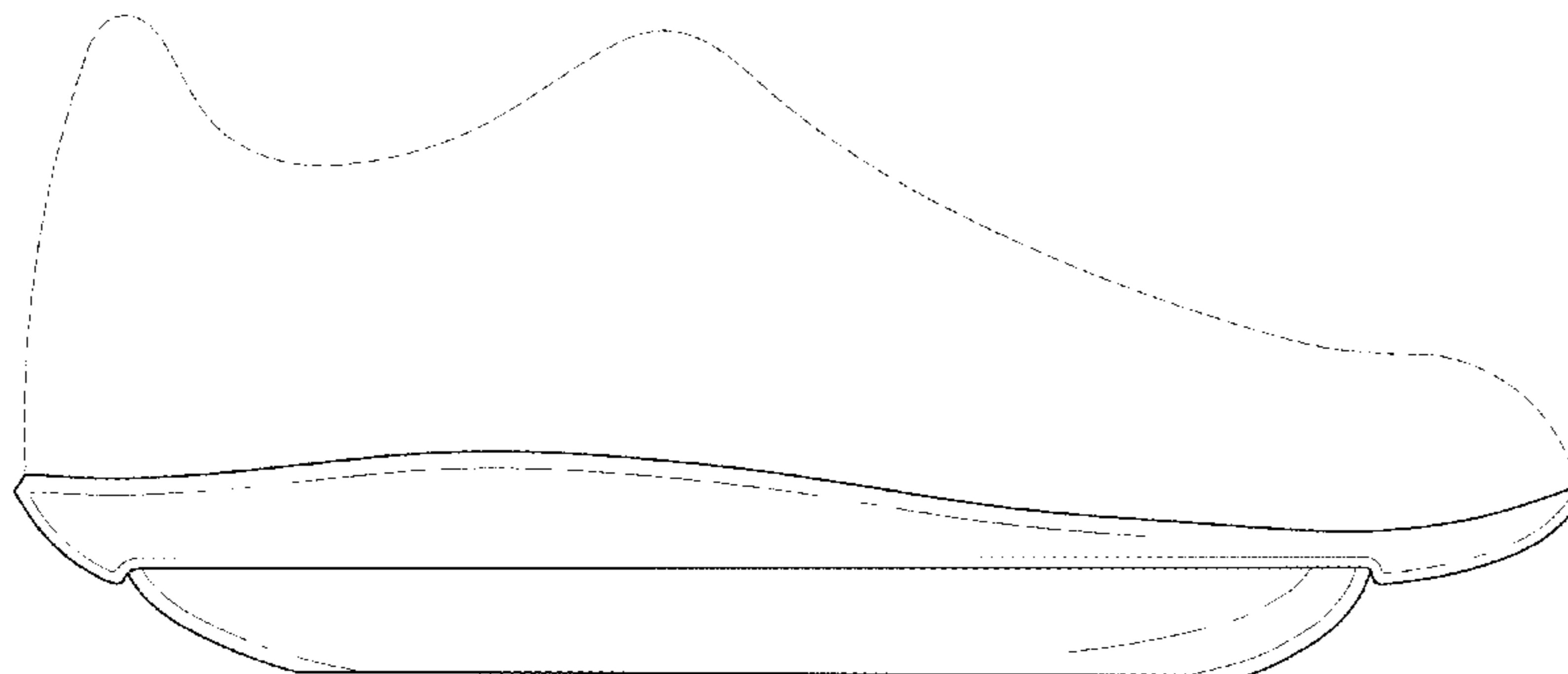
The ornamental design for an instability footwear sole, as shown and described.

DESCRIPTION

FIG. 1 is a right side view of an instability footwear sole showing my new design;
 FIG. 2 is a left side view thereof;
 FIG. 3 is a front view thereof;
 FIG. 4 is a rear view thereof;
 FIG. 5 is a top view thereof; and,
 FIG. 6 is a bottom view thereof.

Where included, broken lines showing environment or structure are for illustrative purposes only and form no part of the design.

1 Claim, 5 Drawing Sheets



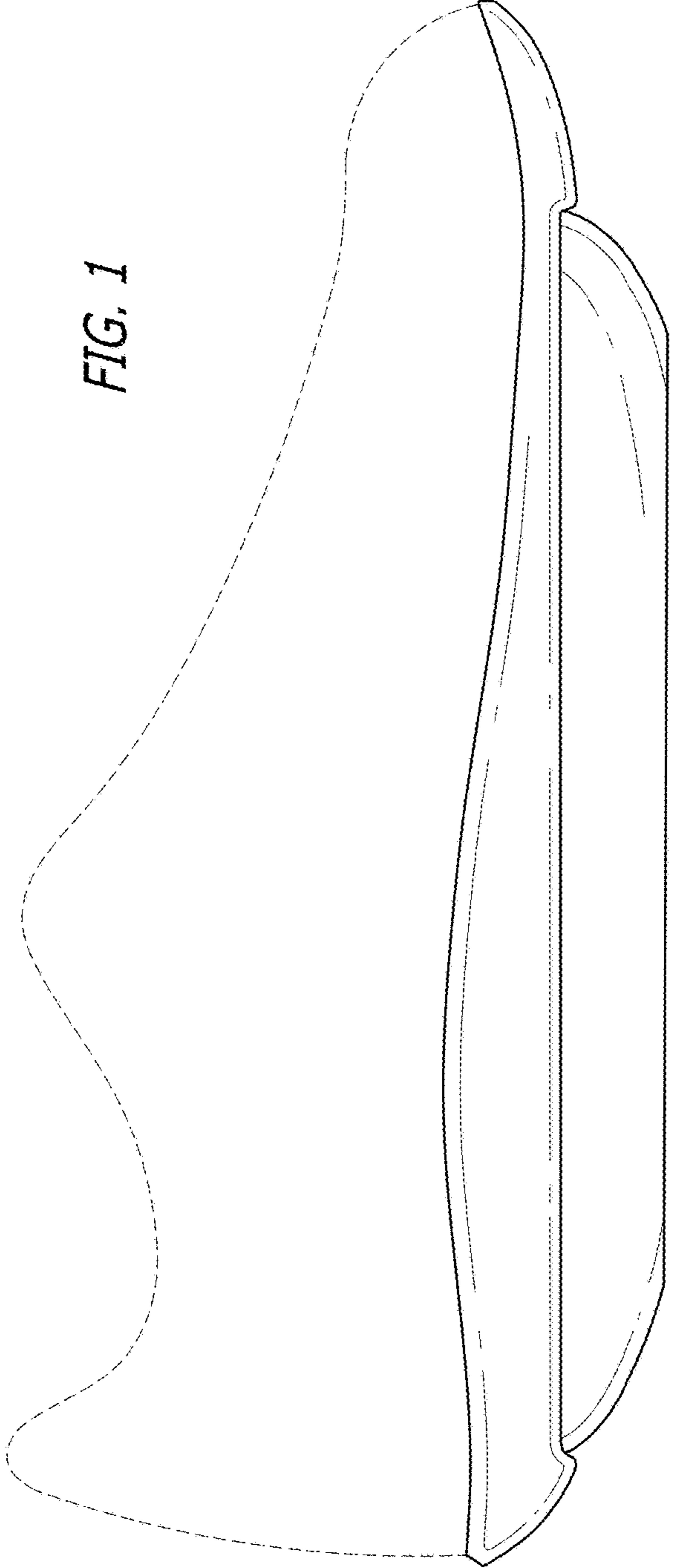
(56)

References Cited

U.S. PATENT DOCUMENTS

2011/0126422 A1* 6/2011 Vattes A43B 7/144
36/10
2014/0345167 A1* 11/2014 Al-Ani A43B 7/00
36/25 R
2017/0273400 A1* 9/2017 Penka A43B 5/00

* cited by examiner



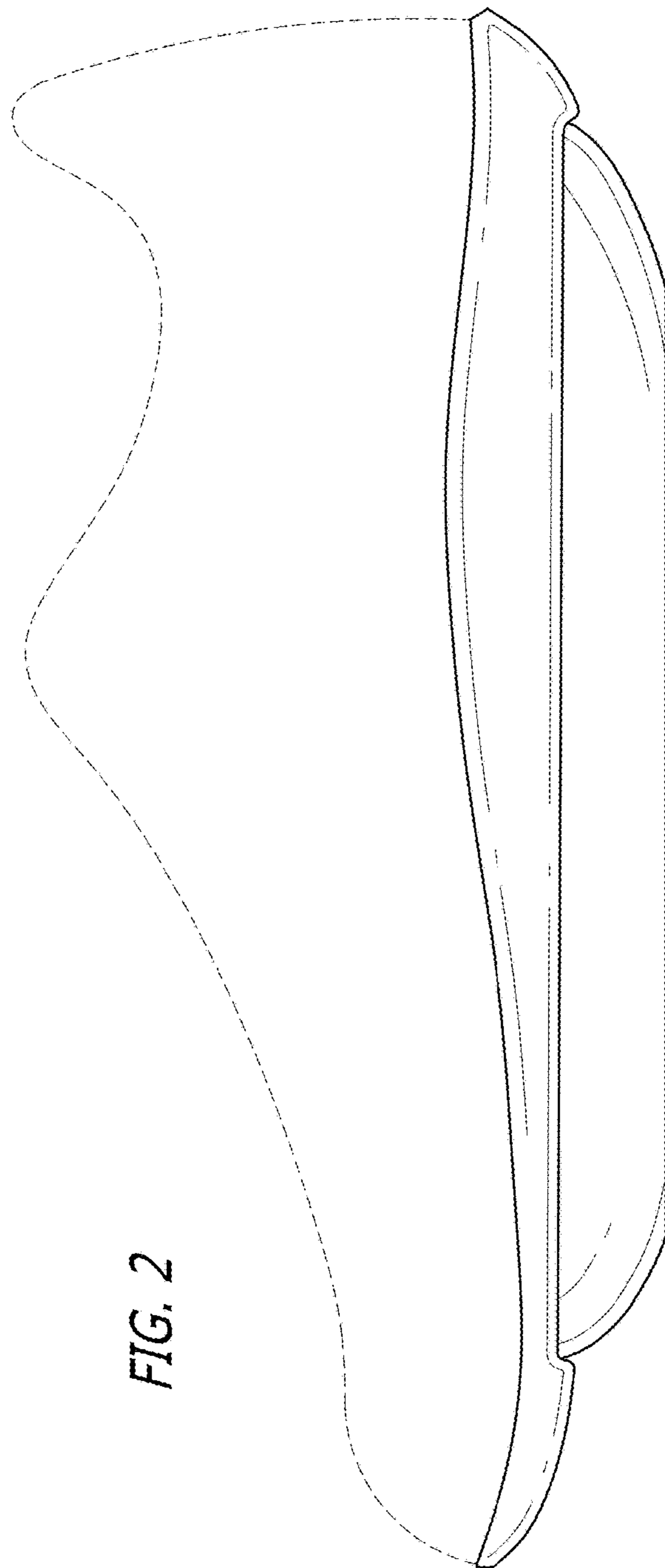


FIG. 2

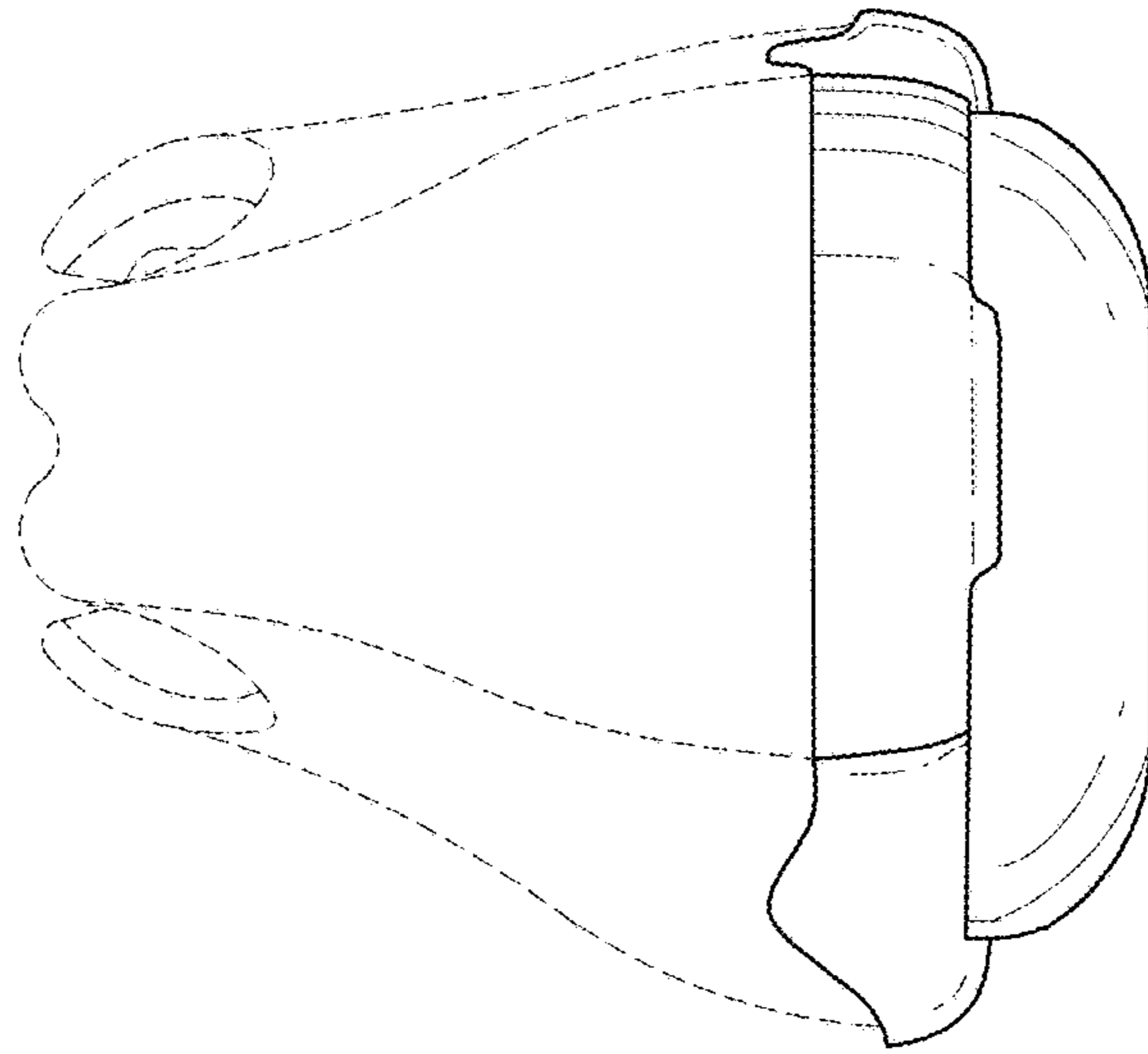


FIG. 4

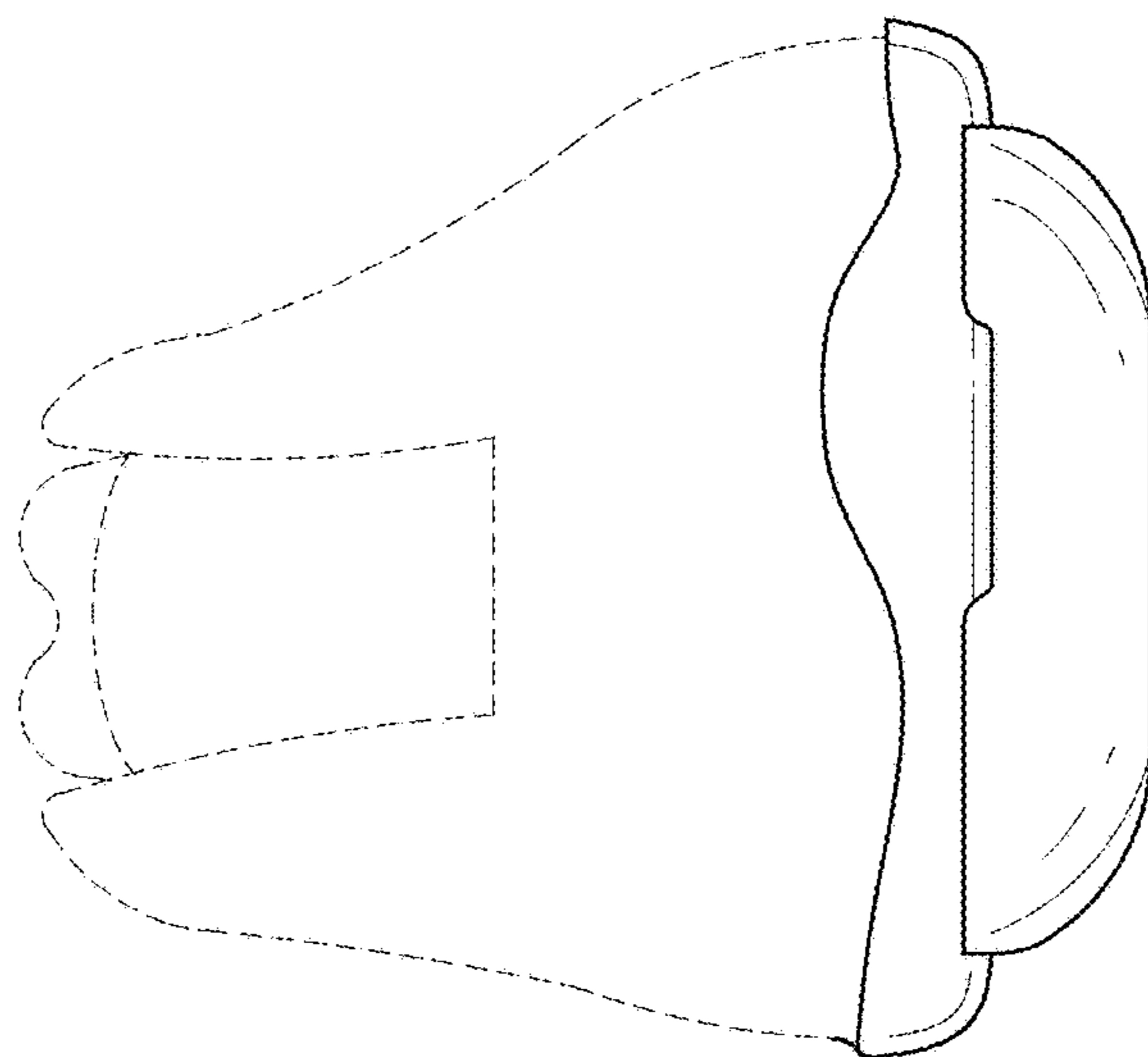


FIG. 3

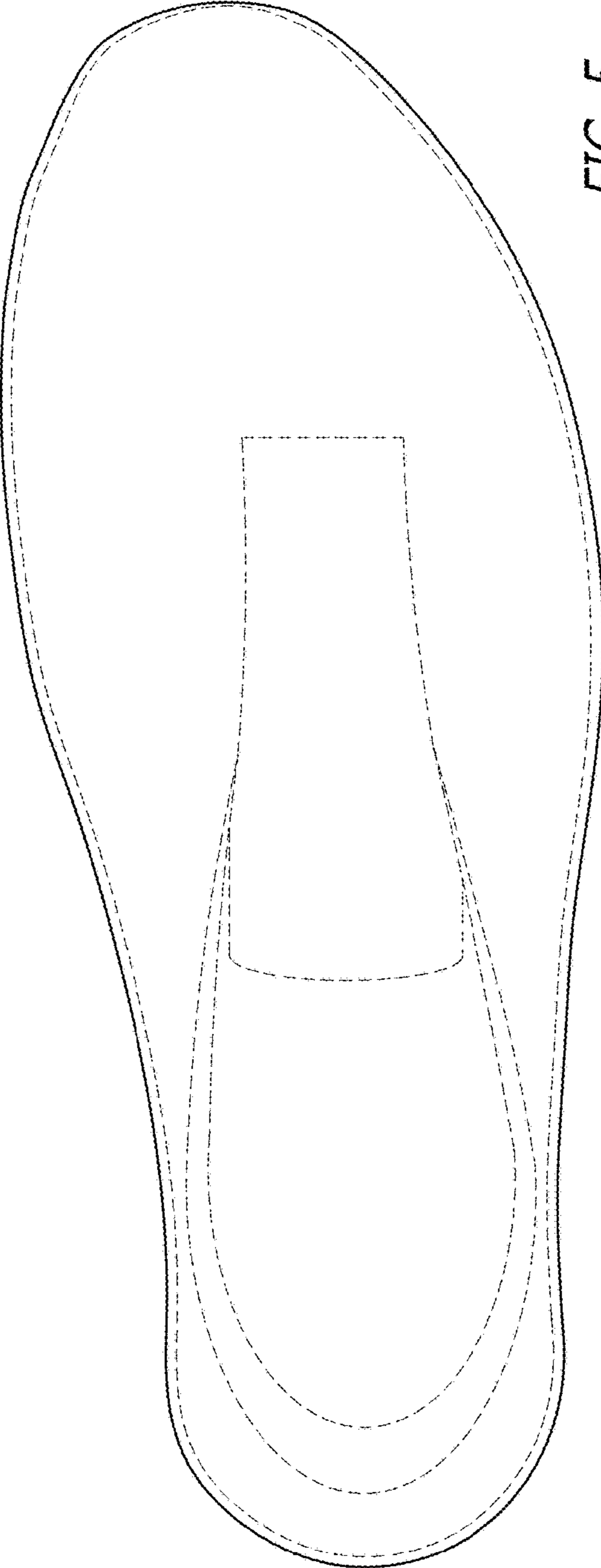


FIG. 5

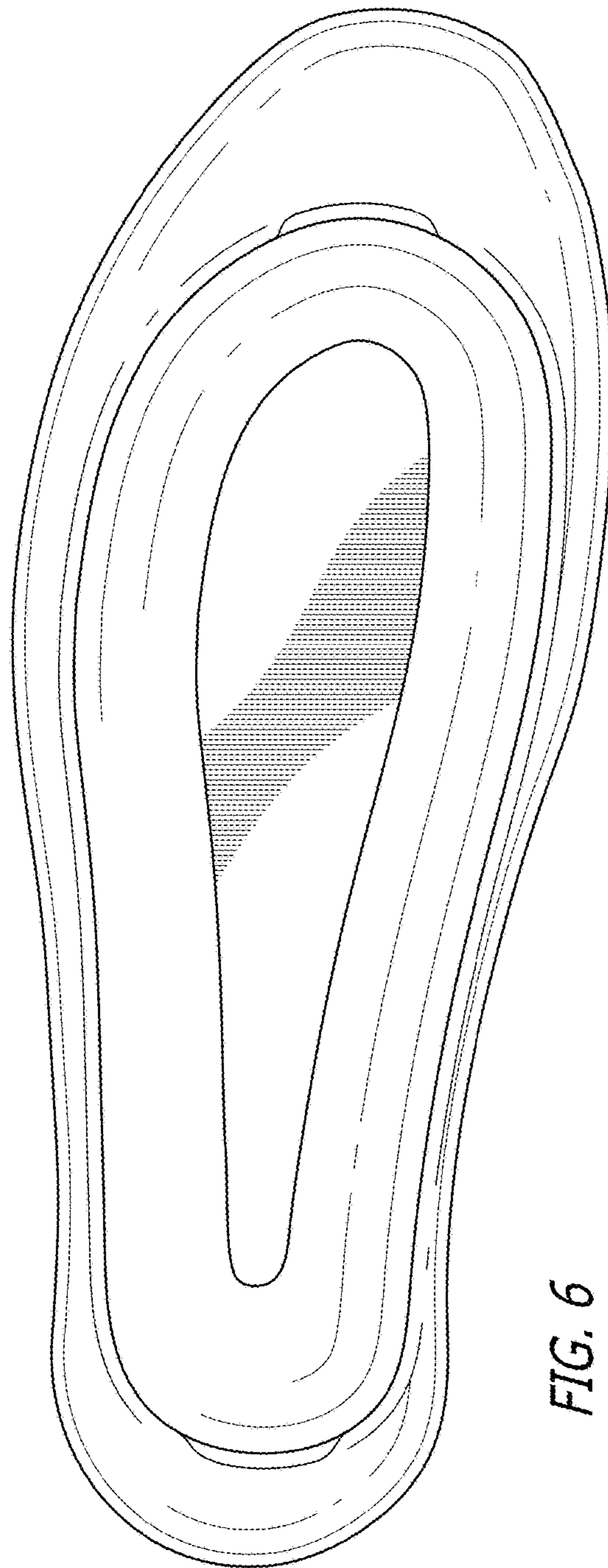


FIG. 6