



US00D839555S

(12) **United States Design Patent**
Terrell

(10) **Patent No.:** **US D839,555 S**
(45) **Date of Patent:** **** Feb. 5, 2019**

(54) **GARMENT**

(71) Applicant: **NIKE, Inc.**, Beaverton, OR (US)

(72) Inventor: **Brogan Terrell**, Beaverton, OR (US)

(73) Assignee: **NIKE, Inc.**, Beaverton, OR (US)

(**) Term: **15 Years**

(21) Appl. No.: **29/564,894**

(22) Filed: **May 16, 2016**

(51) **LOC (11) Cl.** **02-02**

(52) **U.S. Cl.**
USPC **D2/840**

(58) **Field of Classification Search**
USPC D2/703, 706, 708, 731, 793, 794, 840
CPC A41D 7/00; A41F 15/00
See application file for complete search history.

(56) **References Cited**

U.S. PATENT DOCUMENTS

- 1,033,788 A * 7/1912 Dennis A61F 2/52
450/38
- 1,989,309 A * 1/1935 Fowler A41D 27/12
2/46
- 2,023,612 A * 12/1935 Park A41C 3/00
450/88
- 2,377,651 A * 6/1945 Roseman A41F 11/02
2/315
- 2,454,154 A * 11/1948 Glick A41C 3/0007
450/48
- 3,935,865 A * 2/1976 Newmar A41C 3/0078
450/64
- 4,612,935 A * 9/1986 Greifer A41F 15/007
2/268
- 6,139,515 A * 10/2000 Ito A61F 5/40
602/67
- D485,967 S * 2/2004 Williamson D2/711
- D528,739 S * 9/2006 Williamson D2/712
- D584,879 S * 1/2009 Venus D2/706
- D641,133 S * 7/2011 Zarabi D2/708

- D654,665 S * 2/2012 Lam D2/840
- 8,146,175 B2 * 4/2012 Otenbaker A41D 23/00
2/207
- 8,739,314 B2 * 6/2014 Caulfield A41D 7/00
2/70

(Continued)

OTHER PUBLICATIONS

prAna Women's Quinn Chakara Top, posted at Amazon.com, May 13, 2015 [online], [site visited Oct. 24, 2017], Available from Internet, <https://www.amazon.com/prAna-Womens-Quinn-Chakara-Top/dp/B01MYOBOR5/ref=cm_cr_arp_d_pdt_img_top?ie=UTF8&th=1>.*

(Continued)

Primary Examiner — Kevin K Rudzinski
(74) *Attorney, Agent, or Firm* — Shook, Hardy & Bacon L.L.P.

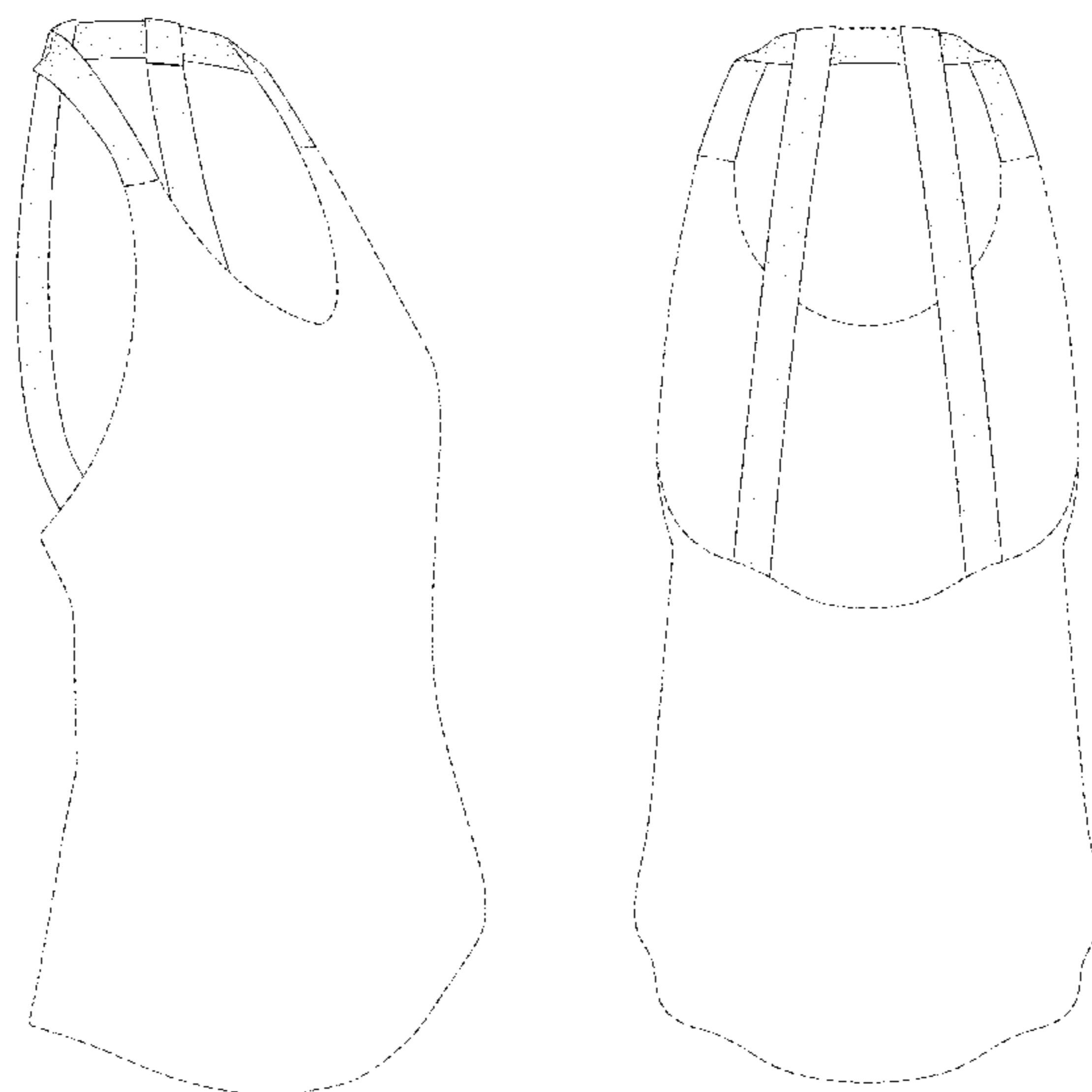
(57) **CLAIM**

The ornamental design for a garment, as shown and described.

DESCRIPTION

FIG. 1 is a front perspective view of a garment that is in an in-use configuration showing the present design;
FIG. 2 is a front view thereof;
FIG. 3 is a back view thereof;
FIG. 4 is a first side view thereof; and,
FIG. 5 is a second side view thereof.
The evenly spaced broken lines shown in the drawings are directed to environment, are for informational purposes only, and form no part of the claimed design.
The long and short broken lines are boundary lines, which define bounds of the claimed design. These boundaries do not exist in reality in the article embodying the design. It is understood that the claimed design extends to these boundaries but does not include the boundaries.

1 Claim, 5 Drawing Sheets



(56)

References Cited

U.S. PATENT DOCUMENTS

8,918,915 B2 * 12/2014 Caulfield A41D 7/005
2/67
9,084,443 B2 * 7/2015 Moulden A41C 3/08
9,179,715 B1 * 11/2015 Roth A41D 7/00
D786,531 S * 5/2017 Holmes D2/706
D798,536 S * 10/2017 Holmes D2/706
2016/0015090 A1 * 1/2016 Mazourik A41C 3/0028
450/39
2016/0324221 A1 * 11/2016 Wilson A41C 3/0021

OTHER PUBLICATIONS

Fall 2015 Sporting Goods USA Catalog, published Nov. 26, 2014,
p. 342.

* cited by examiner

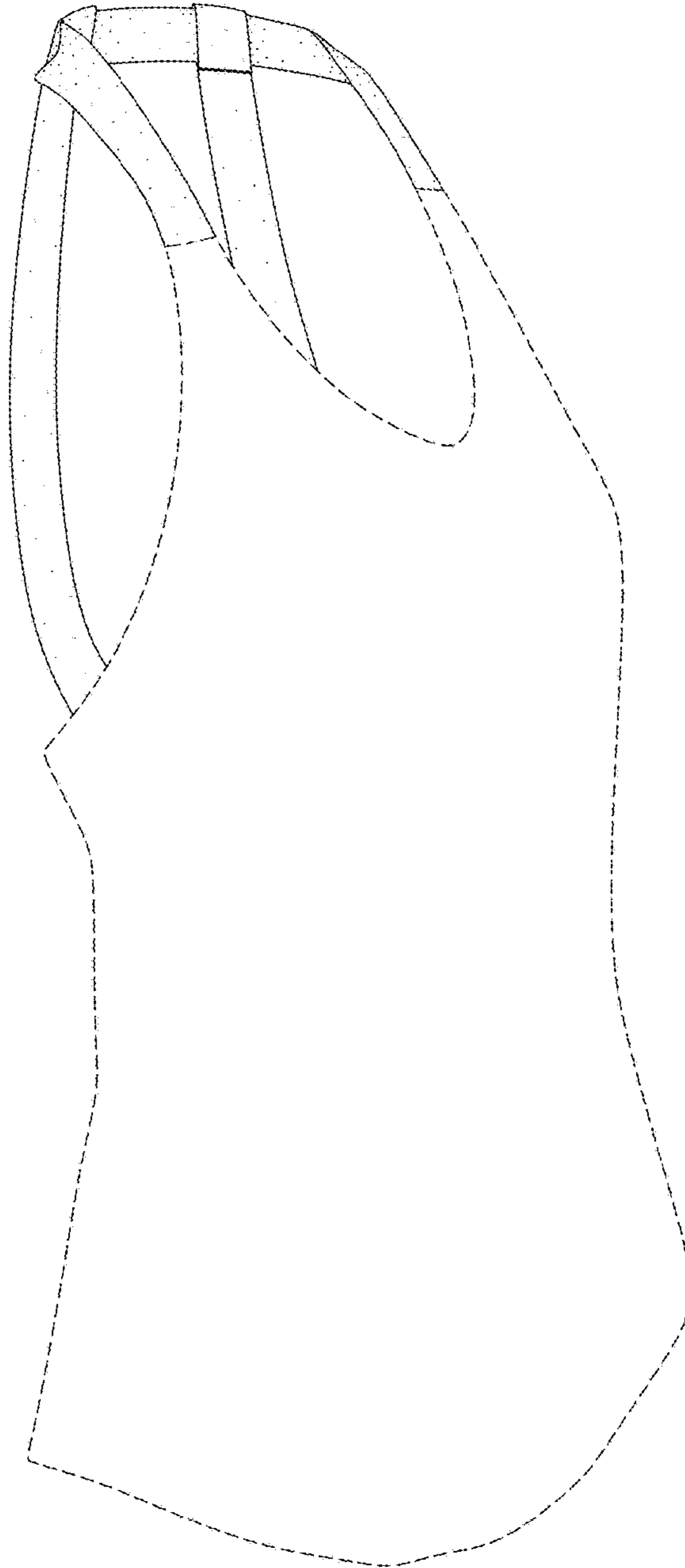


FIG. 1

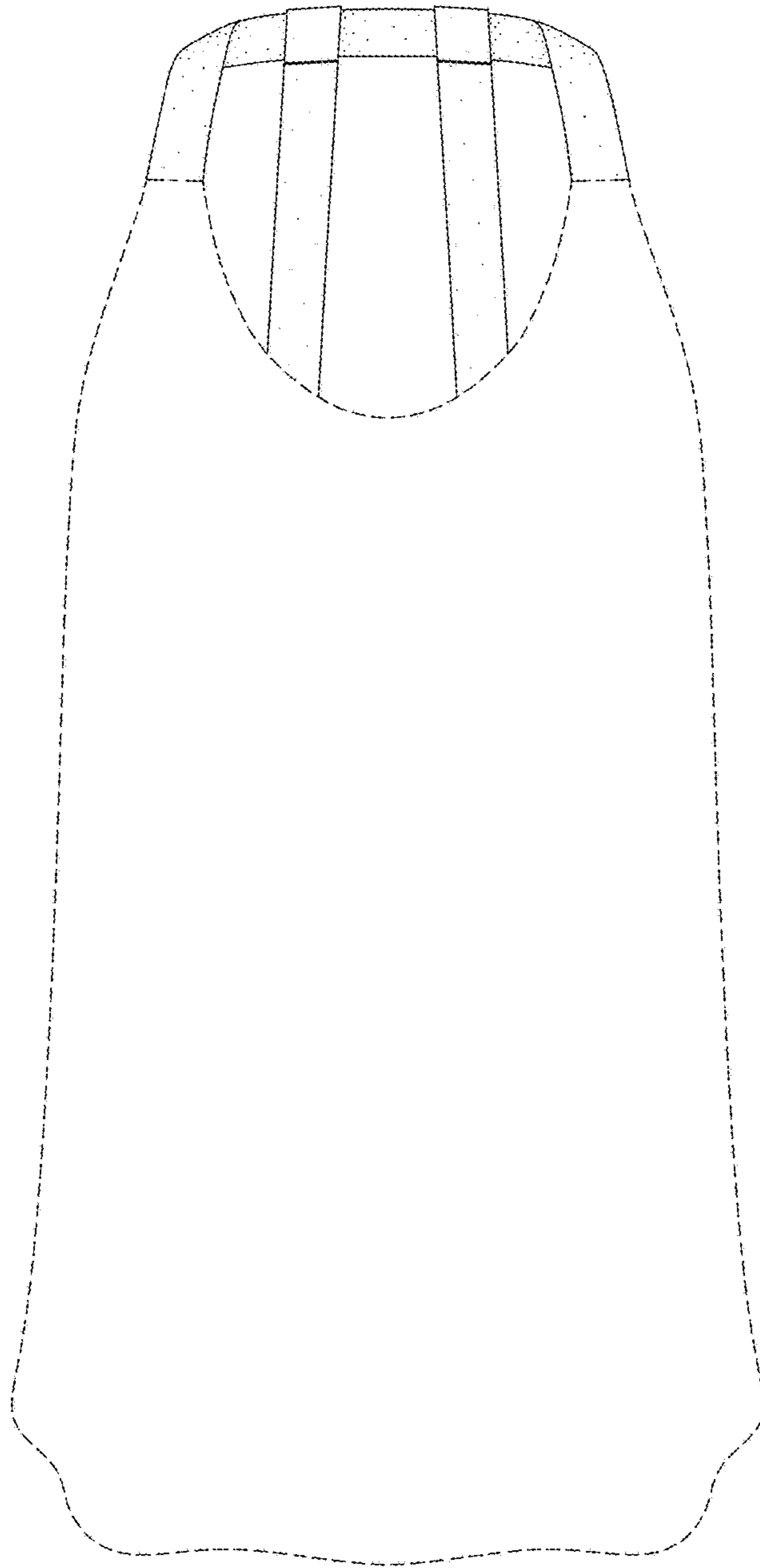


FIG. 2

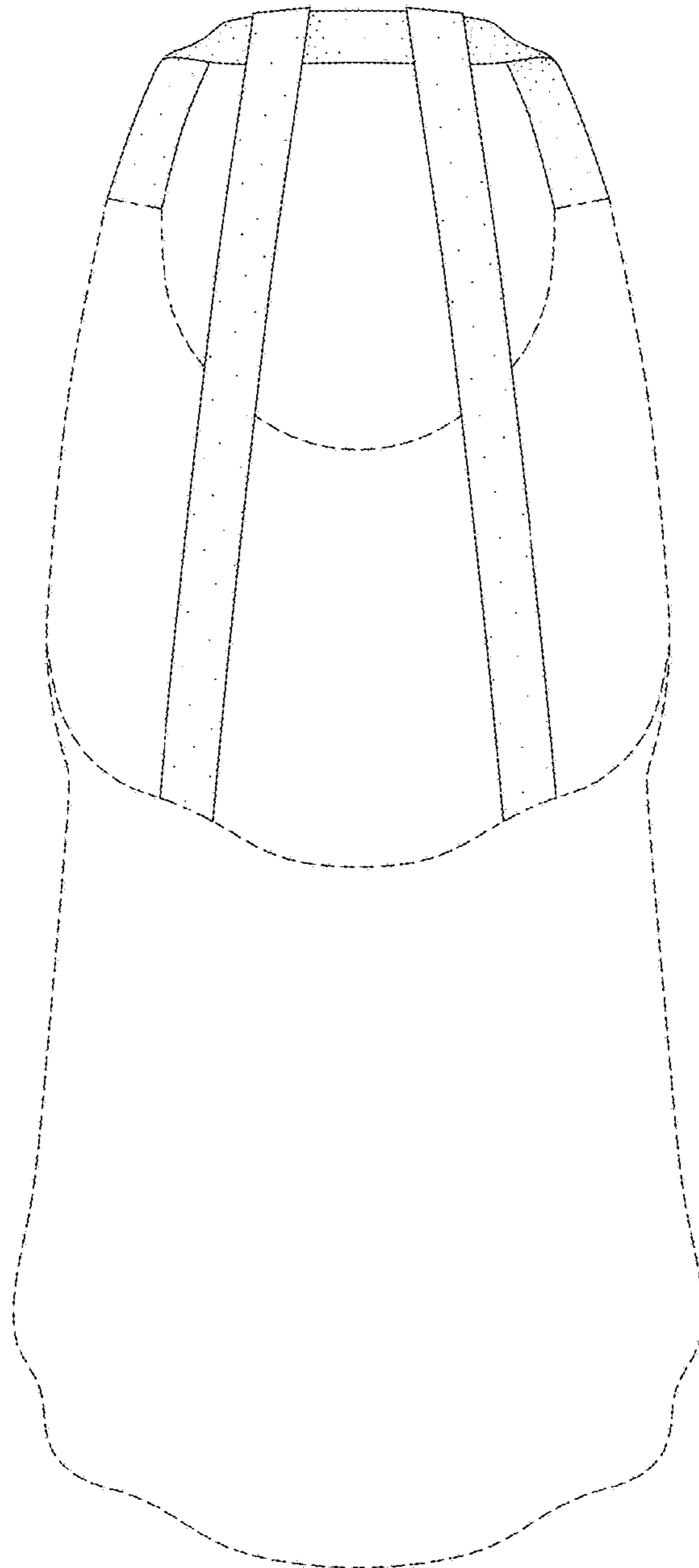


FIG. 3

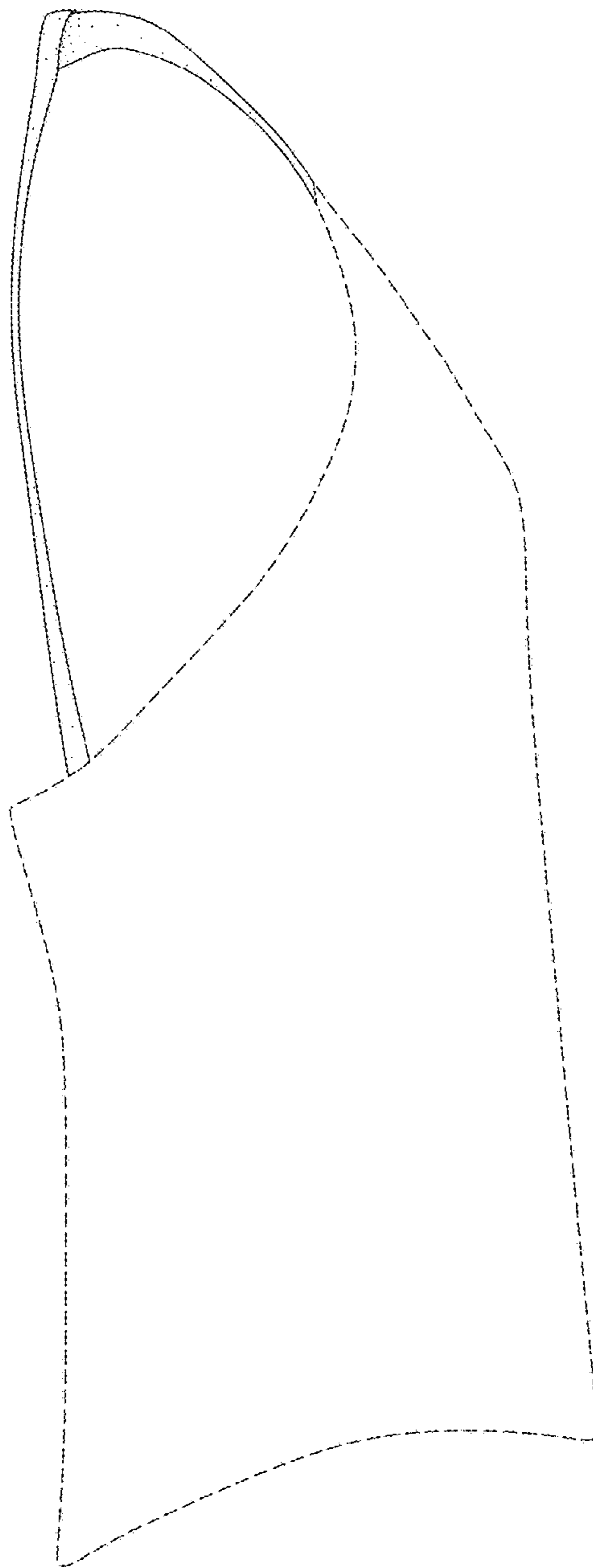


FIG. 4

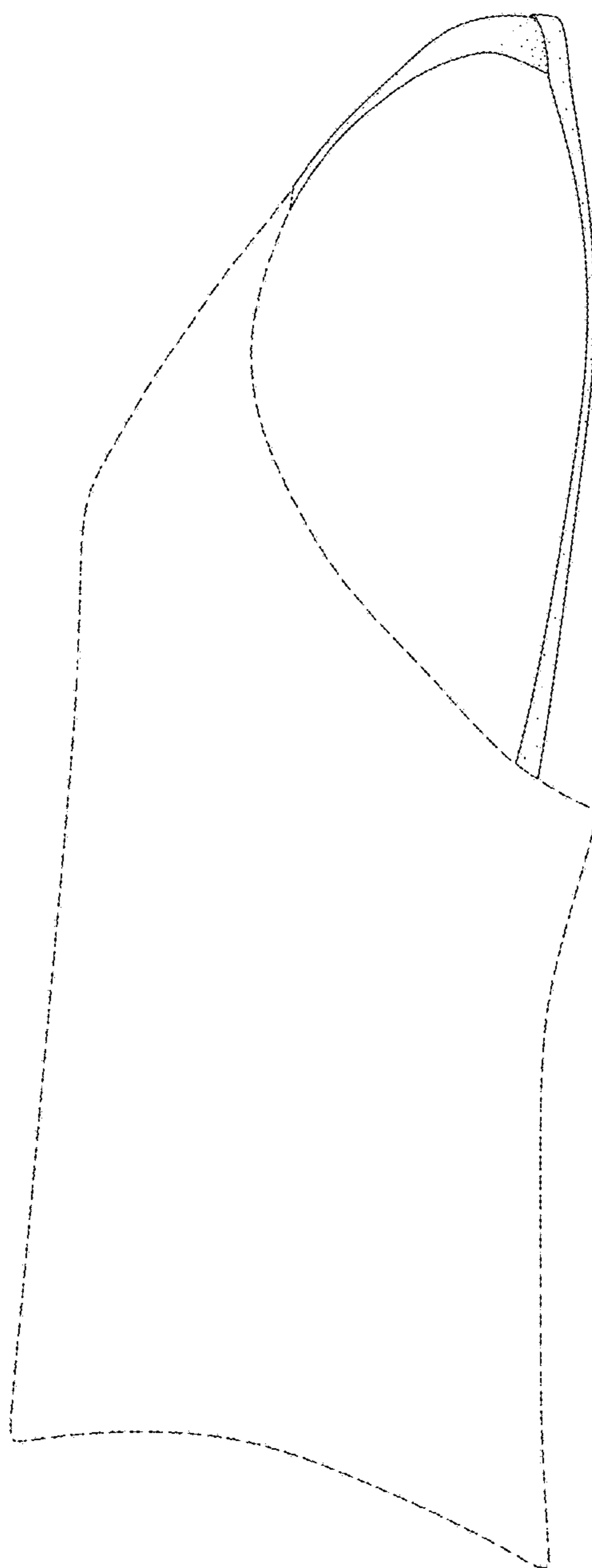


FIG. 5