



US00D839549S

(12) **United States Design Patent**  
**Lomax**

(10) **Patent No.:** **US D839,549 S**

(45) **Date of Patent:** **\*\* Feb. 5, 2019**

(54) **UPPER BODY GARMENT**

(71) Applicant: **NIKE, Inc.**, Beaverton, OR (US)

(72) Inventor: **Jessica A. Lomax**, Portland, OR (US)

(73) Assignee: **NIKE, Inc.**, Beaverton, OR (US)

(\*\*) Term: **15 Years**

(21) Appl. No.: **29/600,770**

(22) Filed: **Apr. 14, 2017**

(51) **LOC (11) Cl.** ..... **02-02**

(52) **U.S. Cl.**  
USPC ..... **D2/828**

(58) **Field of Classification Search**  
USPC ..... D2/717, 731, 750, 755, 828, 829, 831,  
D2/840, 844, 847  
CPC ..... A41B 1/00; A41D 1/02; A41D 1/04  
See application file for complete search history.

(56) **References Cited**

**U.S. PATENT DOCUMENTS**

5,210,877 A \* 5/1993 Newman ..... A41D 1/067  
2/115  
D698,522 S \* 2/2014 Roberts ..... D2/829

D771,904 S \* 11/2016 McArthur ..... D2/717  
D778,536 S \* 2/2017 Adrovic ..... D2/731  
D820,559 S \* 6/2018 Noll ..... D2/731  
D825,147 S \* 8/2018 Lomax ..... D2/840

\* cited by examiner

*Primary Examiner* — R. Johnson

(74) *Attorney, Agent, or Firm* — Shook, Hardy & Bacon  
L.L.P.

(57) **CLAIM**

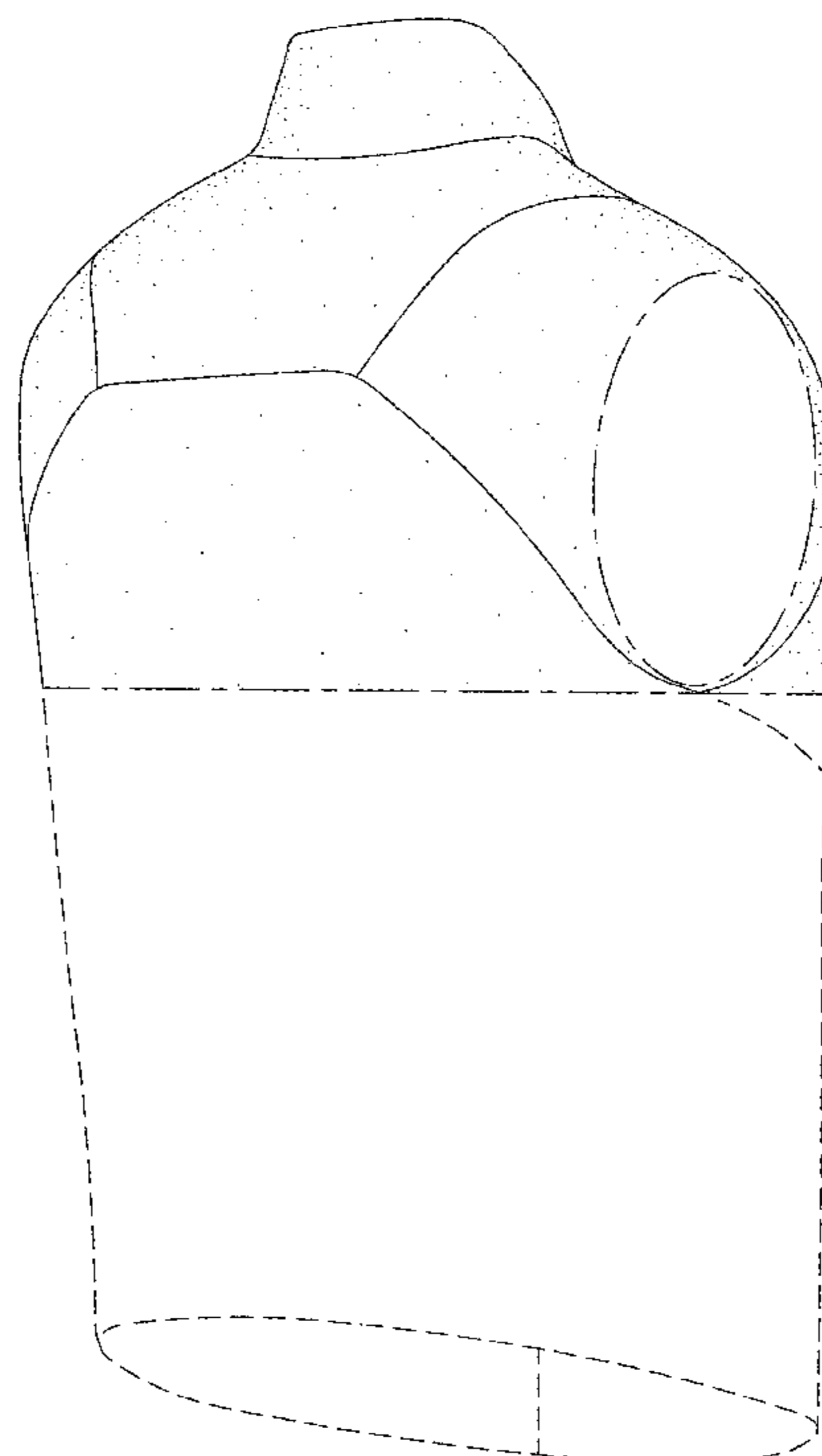
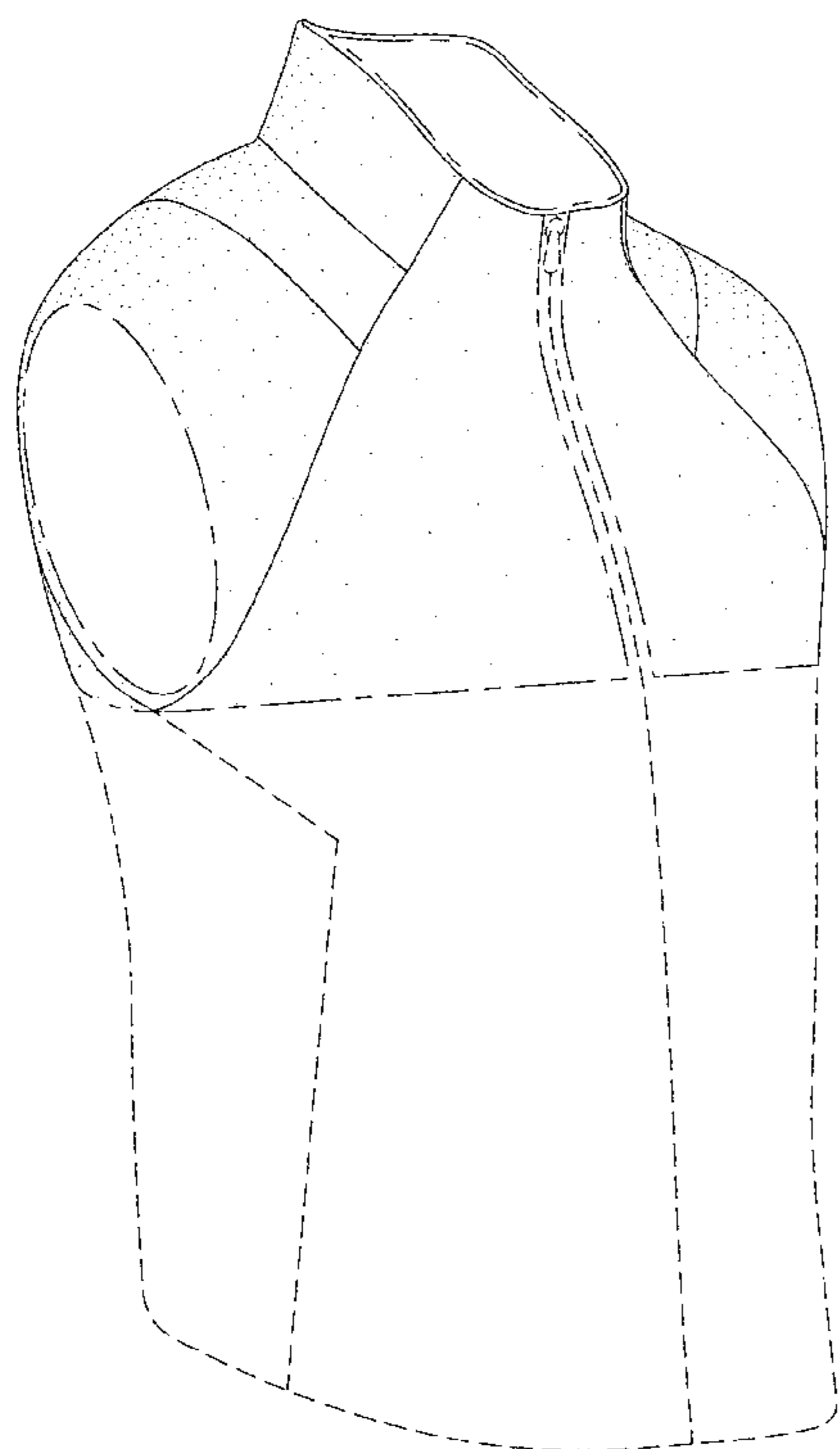
The ornamental design for a upper body garment, as shown  
and described.

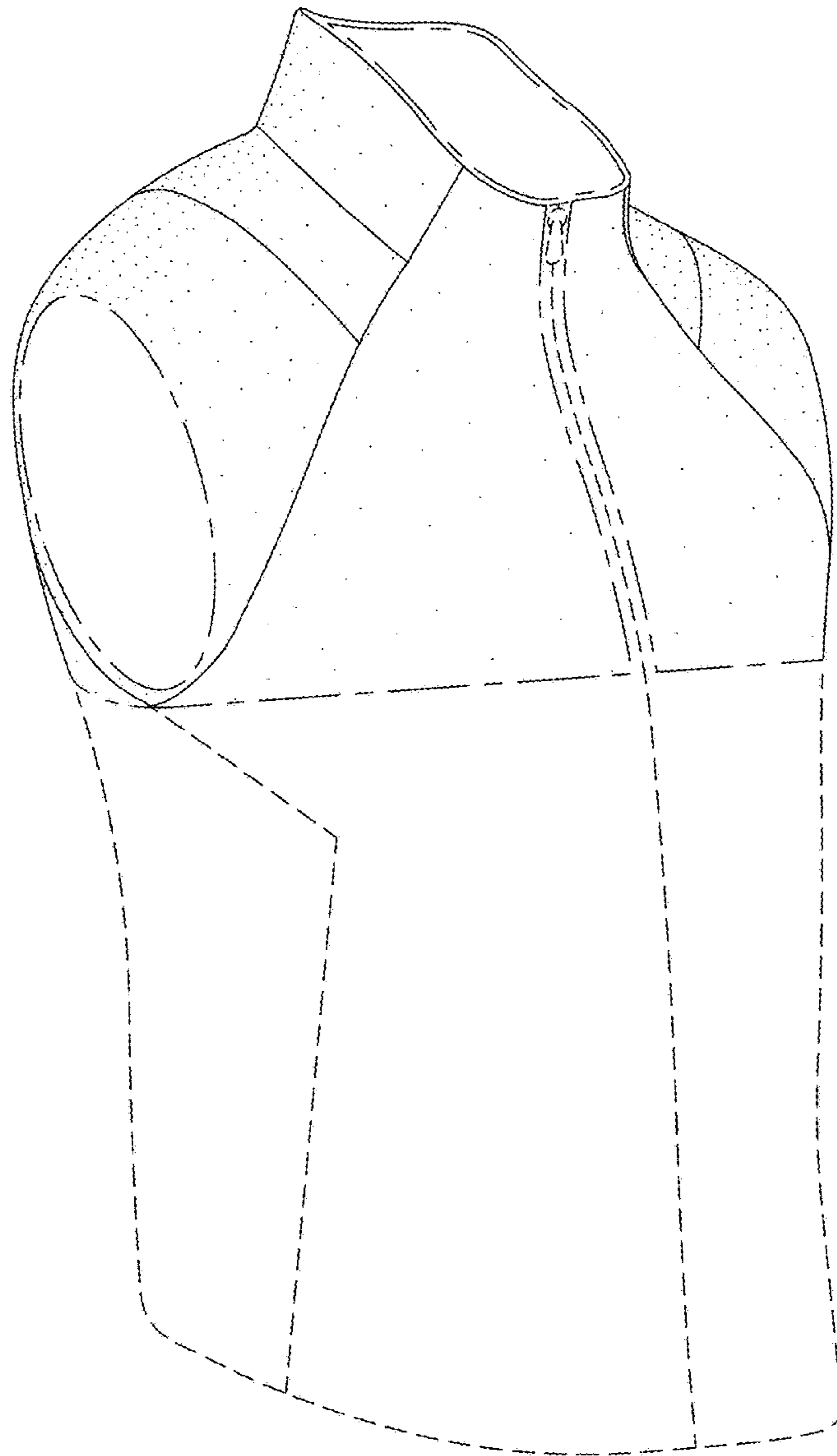
**DESCRIPTION**

FIG. 1 is a front perspective view of a upper body garment  
showing my new design;  
FIG. 2 is a rear perspective view thereof;  
FIG. 3 is a front view thereof;  
FIG. 4 is a rear view thereof;  
FIG. 5 is a first side view thereof; and,  
FIG. 6 is a second side view thereof.

The long-and-short broken lines form an unclaimed bound-  
ary around at least a portion of the claimed subject matter  
and form no part of the claim. The even-length broken lines,  
which show the remainder of the article, are directed to  
environment, represent unclaimed subject matter, and form  
no part of the claimed design.

**1 Claim, 6 Drawing Sheets**





*FIG. 1.*

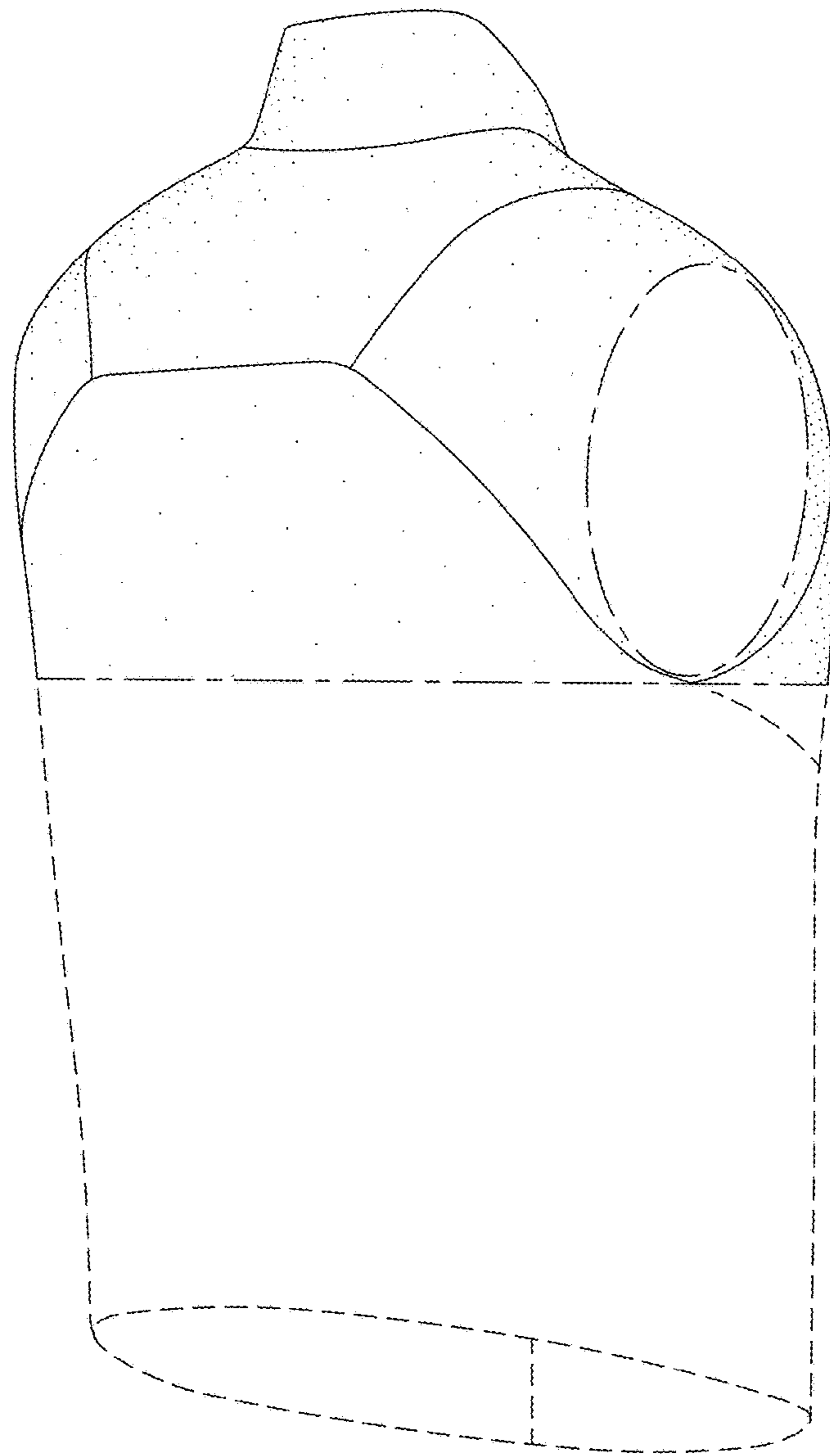
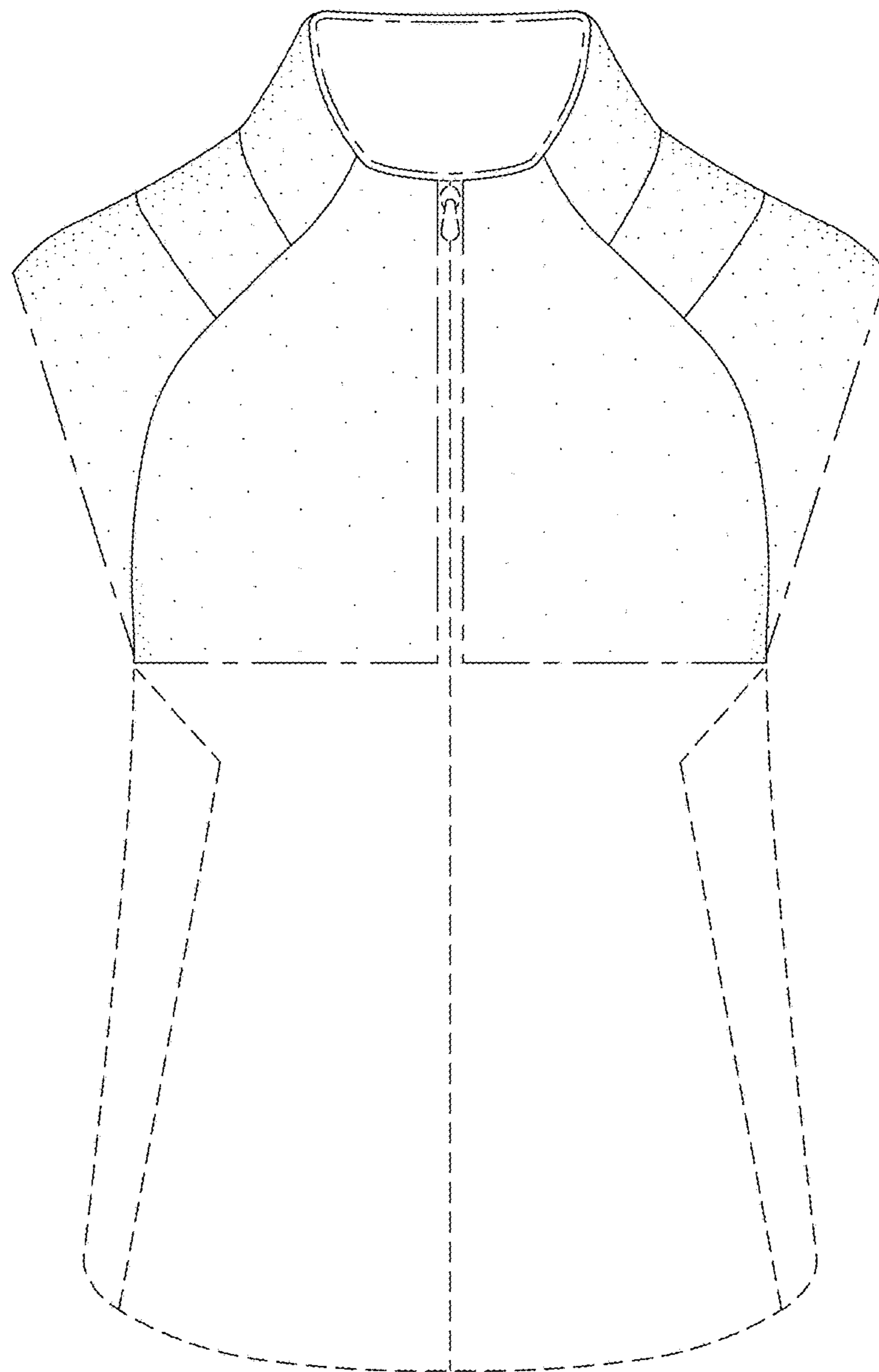
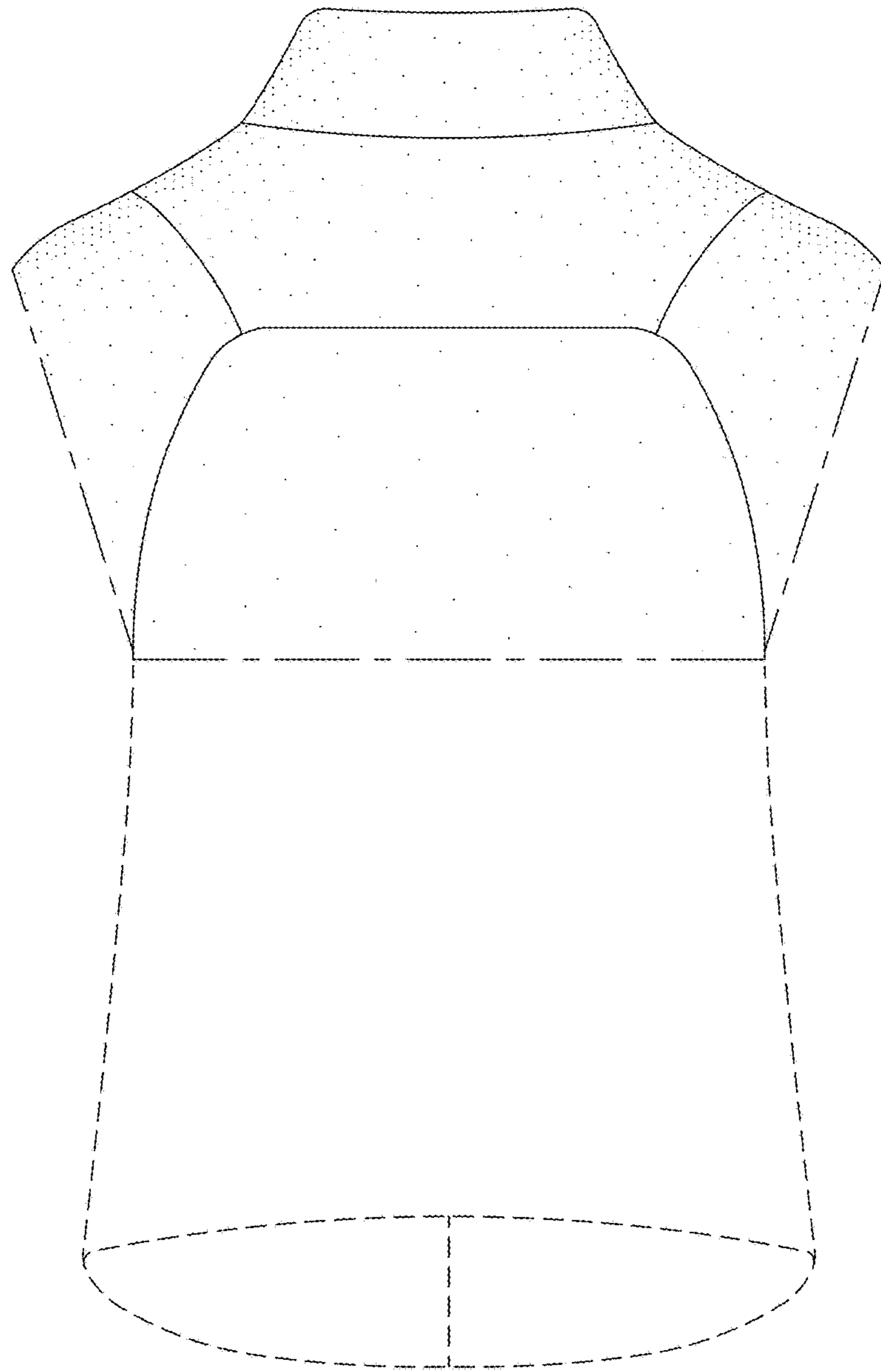


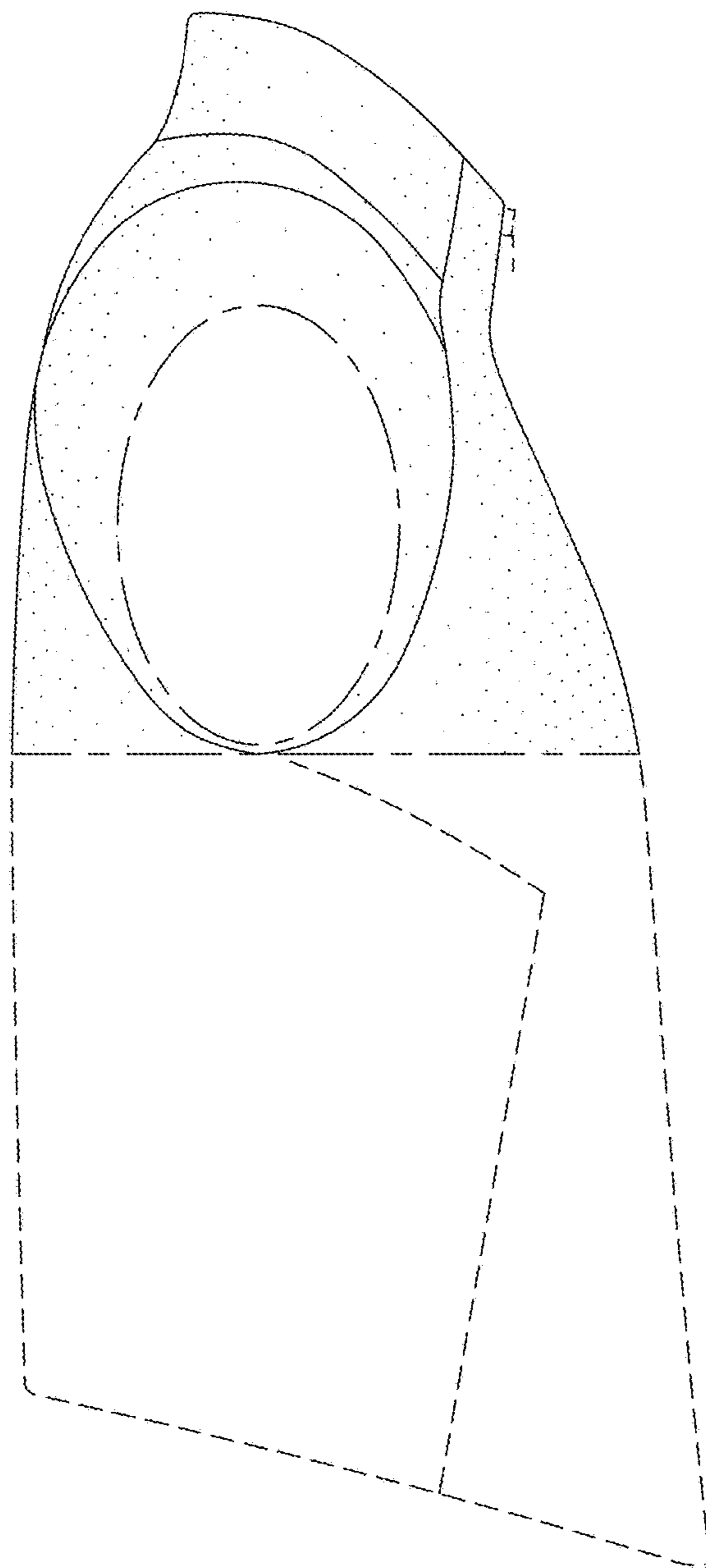
FIG. 2.



*FIG. 3.*



*FIG. 4.*



**FIG. 5.**

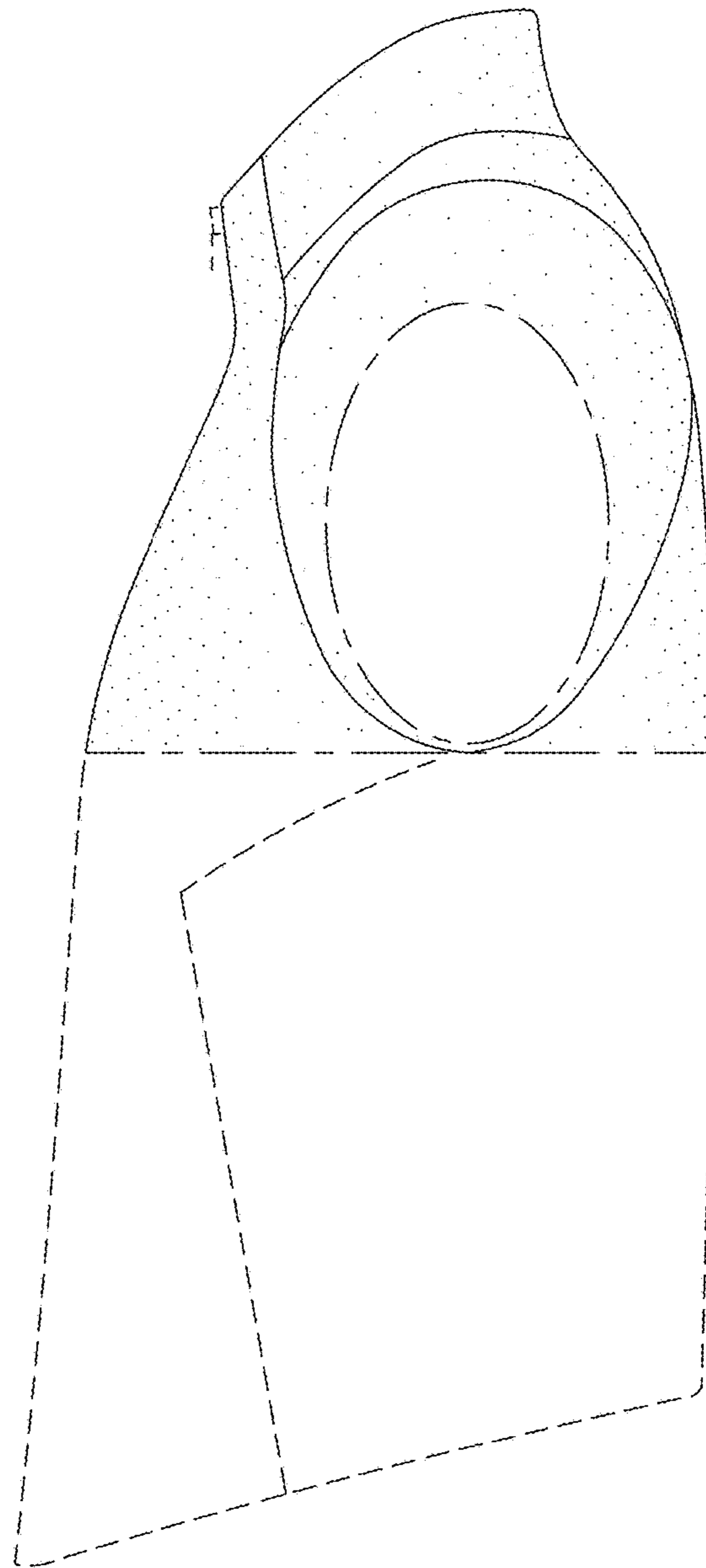


FIG. 6.