



US00D839547S

(12) **United States Design Patent** (10) **Patent No.:** **US D839,547 S**  
**Noll** (45) **Date of Patent:** **\*\* Feb. 5, 2019**

(54) **UPPER BODY GARMENT**  
(71) Applicant: **NIKE, Inc.**, Beaverton, OR (US)  
(72) Inventor: **Eric R. Noll**, Portland, OR (US)  
(73) Assignee: **NIKE, Inc.**, Beaverton, OR (US)  
(\*\*) Term: **15 Years**  
(21) Appl. No.: **29/591,171**  
(22) Filed: **Jan. 17, 2017**  
(51) **LOC (11) Cl.** ..... **02-02**  
(52) **U.S. Cl.**  
USPC ..... **D2/828**  
(58) **Field of Classification Search**  
USPC ..... D2/717, 731, 750, 755, 828, 829, 831,  
D2/840, 844, 847  
CPC ..... A41B 1/00; A41D 1/02; A41D 1/04  
See application file for complete search history.

D819,930 S \* 6/2018 Noll ..... D2/829  
D820,559 S \* 6/2018 Noll ..... D2/731  
2017/0295861 A1 10/2017 Trodden  
2017/0295862 A1 10/2017 Harris

\* cited by examiner

*Primary Examiner* — R. Johnson

(74) *Attorney, Agent, or Firm* — Shook, Hardy & Bacon L.L.P.

(57) **CLAIM**

The ornamental design for a upper body garment, as shown and described.

**DESCRIPTION**

FIG. 1 is a perspective view of a upper body garment showing my new design in an as-worn configuration according to a first embodiment;  
FIG. 2 is a front view thereof; and,  
FIG. 3 is a right side view thereof.

The long and short broken lines are unclaimed boundaries of the claimed design. It is understood that the claimed design extends to these boundaries but does not include the boundaries.

The even broken lines shown in the drawings are directed to environment, are for informational purposes only, and form no part of the claimed design. In addition, the unshaded regions, demarcated by the evenly spaced broken lines, represent unclaimed portions of the garment and form no part of the claimed design.

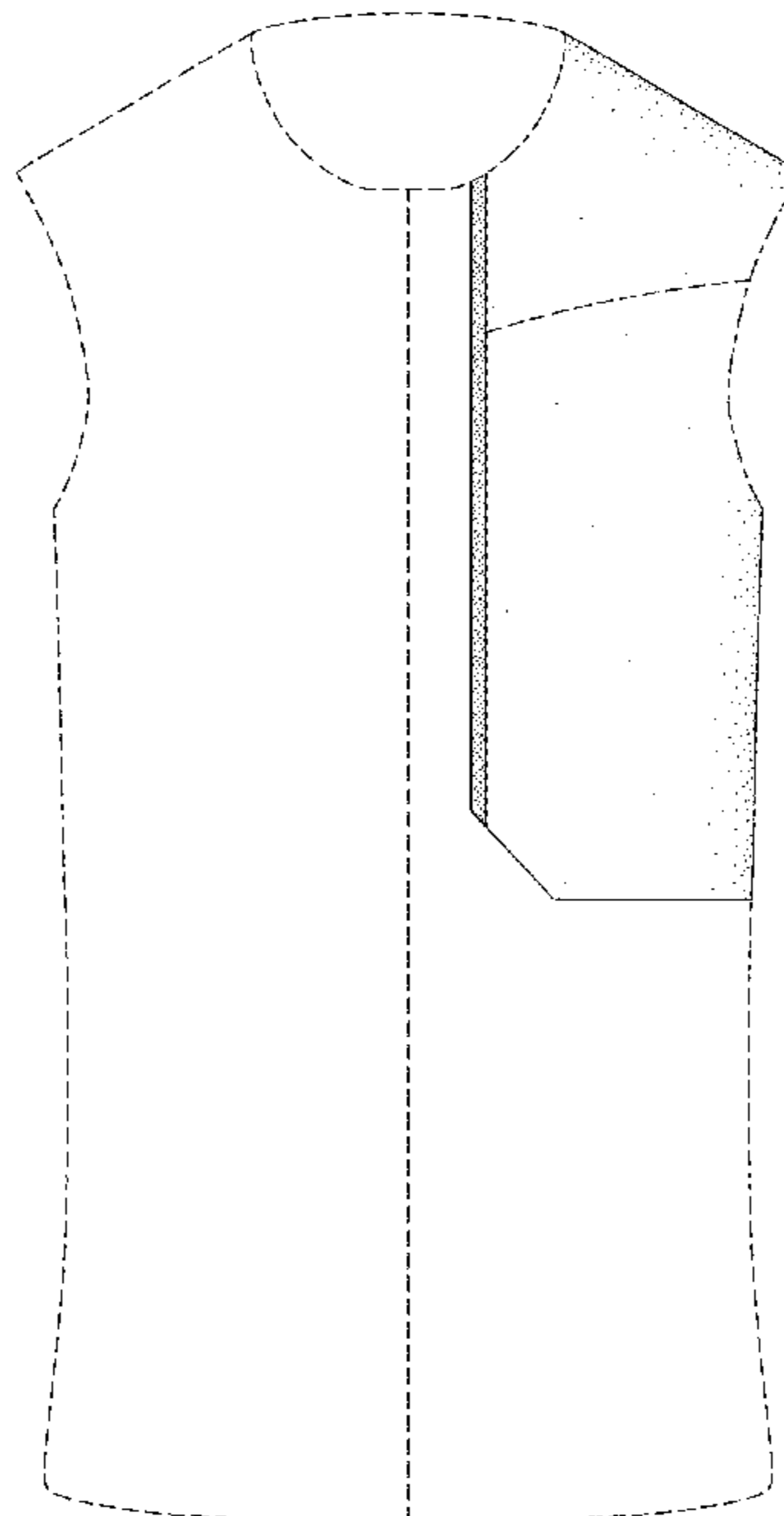
The contrast in shading within the claimed boundary represents a contrast in appearance only and does not represent any particular color, material, texture or finish.

**1 Claim, 3 Drawing Sheets**

(56) **References Cited**

U.S. PATENT DOCUMENTS

D698,522 S 2/2014 Roberts et al.  
D698,523 S 2/2014 Roberts et al.  
D747,846 S \* 1/2016 Borovicka ..... D2/750  
D760,479 S 7/2016 Adrovic  
D760,480 S 7/2016 Adrovic  
D778,536 S \* 2/2017 Adrovic ..... D2/731  
D789,042 S \* 6/2017 Lomax ..... D2/831  
D796,789 S 9/2017 Martz  
D797,407 S 9/2017 Martz  
D799,795 S \* 10/2017 Moore ..... D2/840  
D808,121 S 1/2018 Noll  
D811,045 S \* 2/2018 Noll ..... D2/731  
D811,053 S \* 2/2018 Lomax ..... D2/840



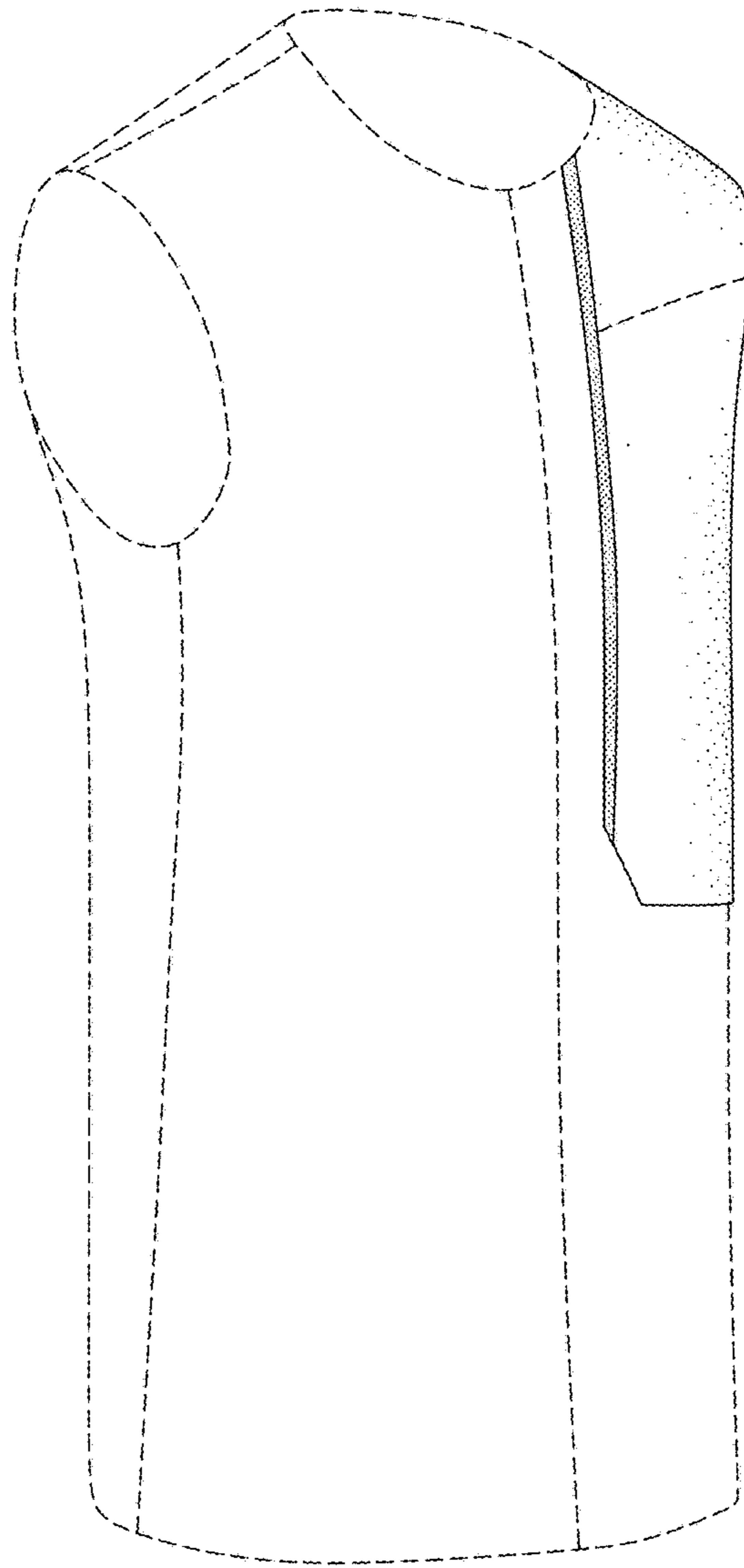


FIG. 1

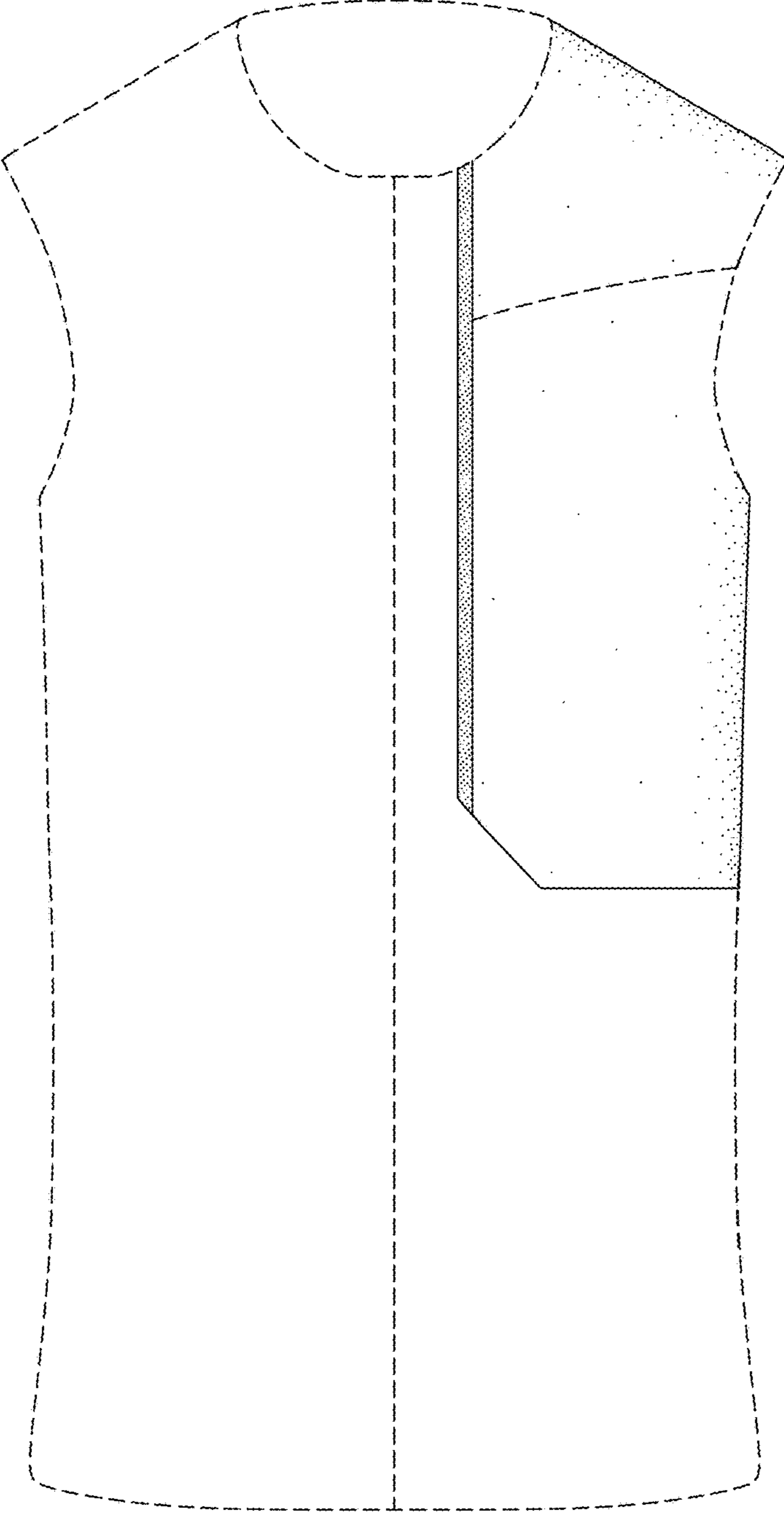


FIG. 2

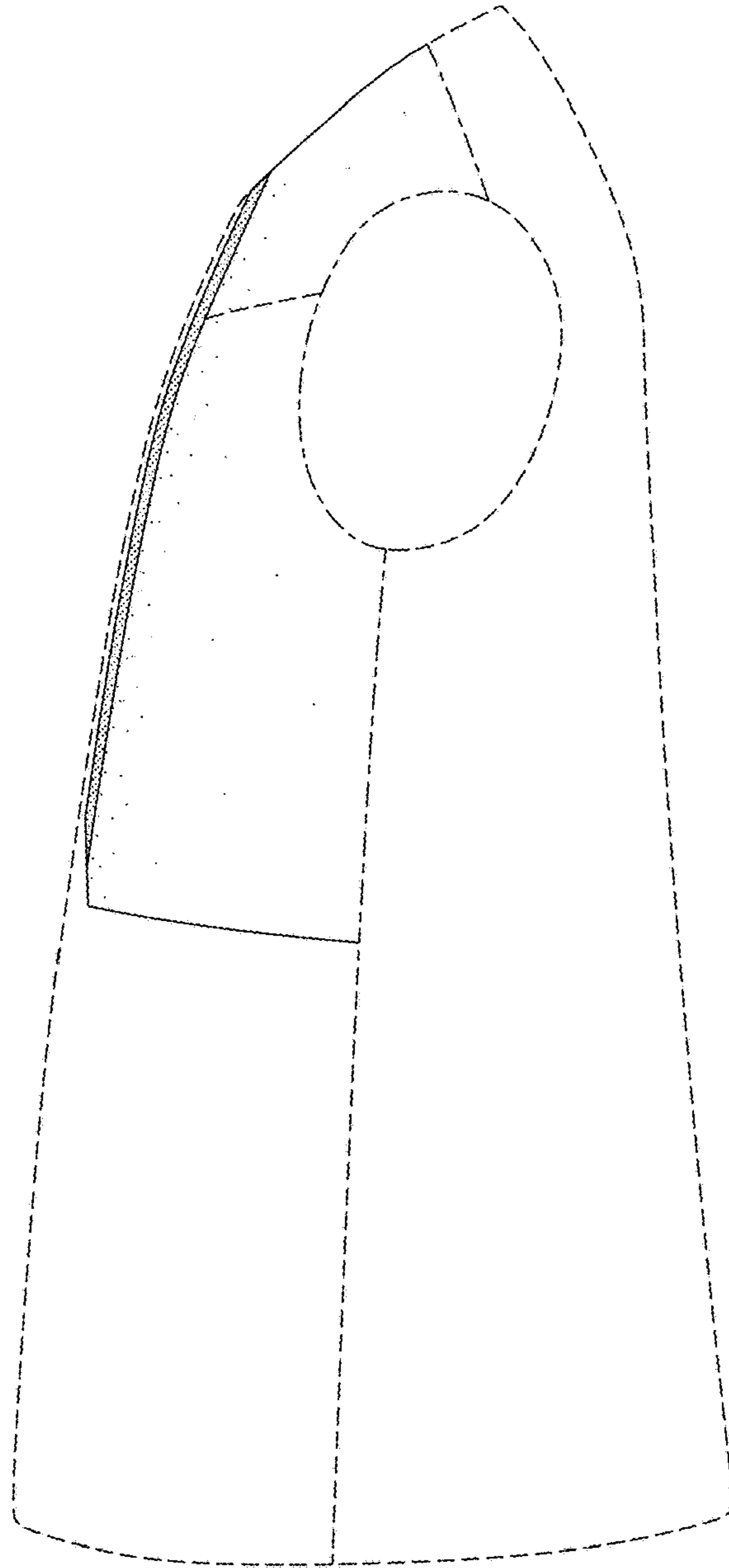


FIG. 3