



US00D839544S

(12) **United States Design Patent** (10) **Patent No.:** **US D839,544 S**
Steiner (45) **Date of Patent:** **** Feb. 5, 2019**

(54) **GARMENT**

(71) Applicant: **NIKE, Inc.**, Beaverton, OR (US)

(72) Inventor: **Shelby Steiner**, Yamhill, OR (US)

(73) Assignee: **NIKE, Inc.**, Beaverton, OR (US)

(**) Term: **15 Years**

(21) Appl. No.: **29/623,448**

(22) Filed: **Oct. 25, 2017**

(51) **LOC (11) Cl.** **02-02**

(52) **U.S. Cl.**
USPC **D2/742**

(58) **Field of Classification Search**
USPC D2/742-743, 731, 745, 857, 747-748
CPC . A41D 1/06; A41D 1/08; A41D 1/067; A41D
1/062; A41D 1/082; A41D 1/084; A41D
1/086; A41D 1/088
See application file for complete search history.

(56) **References Cited**

U.S. PATENT DOCUMENTS

D714,524 S	*	10/2014	Borovicka	D2/825
D770,133 S	*	11/2016	Burke	D2/731
D771,906 S	*	11/2016	Borovicka	D2/731
D779,161 S	*	2/2017	Darmour	D2/742
D786,534 S	*	5/2017	Alligood	D2/731
D794,910 S	*	8/2017	Darmour	D2/742
D802,257 S	*	11/2017	Van Sisseren	D2/742
D802,258 S	*	11/2017	Lomax	D2/742
D820,564 S	*	6/2018	Flower	D2/857
D827,982 S	*	9/2018	Geishauser	D2/742

D827,985 S	*	9/2018	Noll	D2/828
2009/0178174 A1	*	7/2009	Cash, Jr.	A41D 1/08 2/69
2017/0295871 A1	*	10/2017	Sugino	A41D 27/00

* cited by examiner

Primary Examiner — Robin V Webster

Assistant Examiner — J. Thorn, Sr.

(74) *Attorney, Agent, or Firm* — Shook, Hardy & Bacon L.L.P.

(57) **CLAIM**

The ornamental design for a garment, as shown and described.

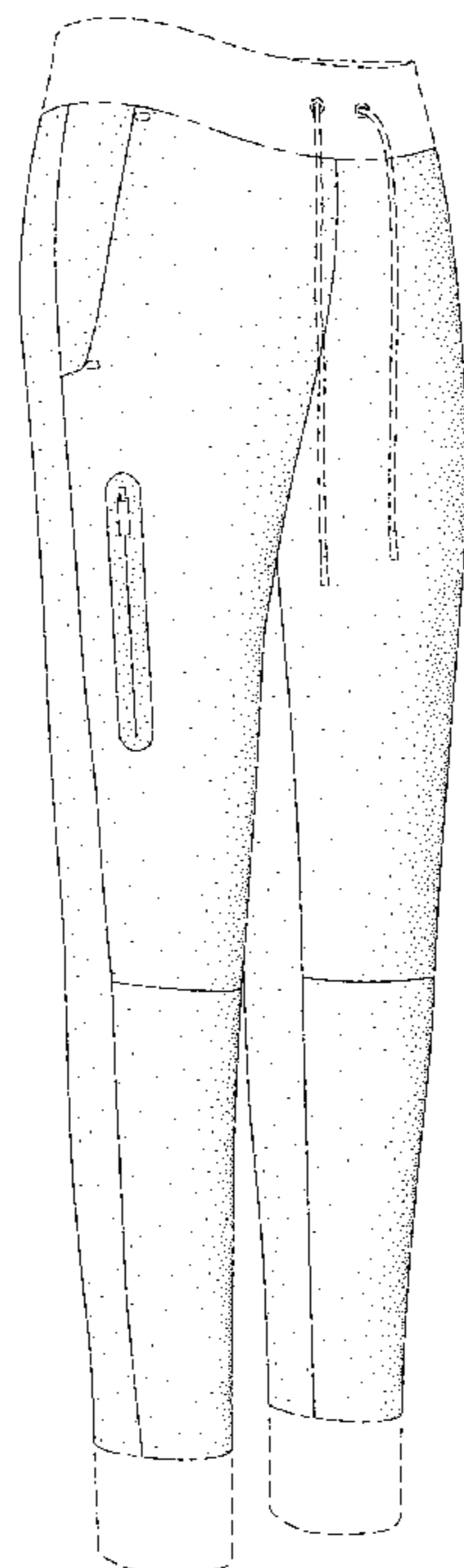
DESCRIPTION

FIG. 1 is a front perspective view of a garment showing my design;
FIG. 2 is a front view thereof;
FIG. 3 is a rear view thereof;
FIG. 4 is a first side view thereof;
FIG. 5 is a second side view thereof;
FIG. 6 is a top view thereof; and,
FIG. 7 is a bottom view thereof.

The long-and-short broken lines form an unclaimed boundary around at least a portion of the claimed subject matter, and form no part of the claim. The even-length broken lines, which show the remainder of the article, are directed to environment, represent unclaimed subject matter, and form no part of the claimed design.

The contrast in shading represents a contrast in appearance only and does not represent any particular color, material, texture or finish.

1 Claim, 6 Drawing Sheets



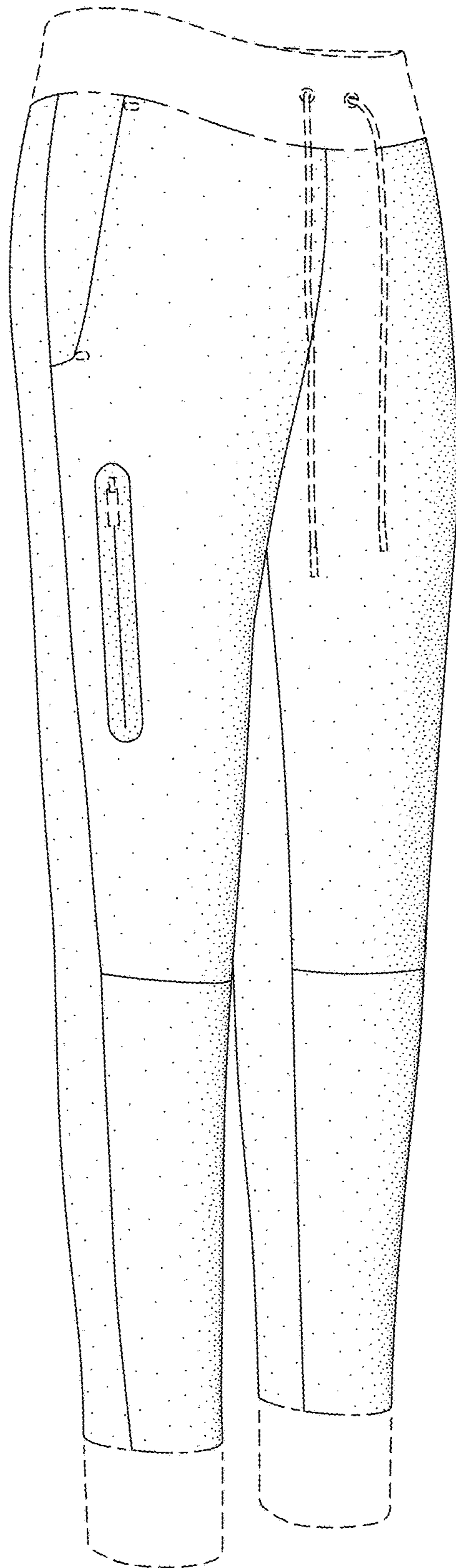


FIG. 1.

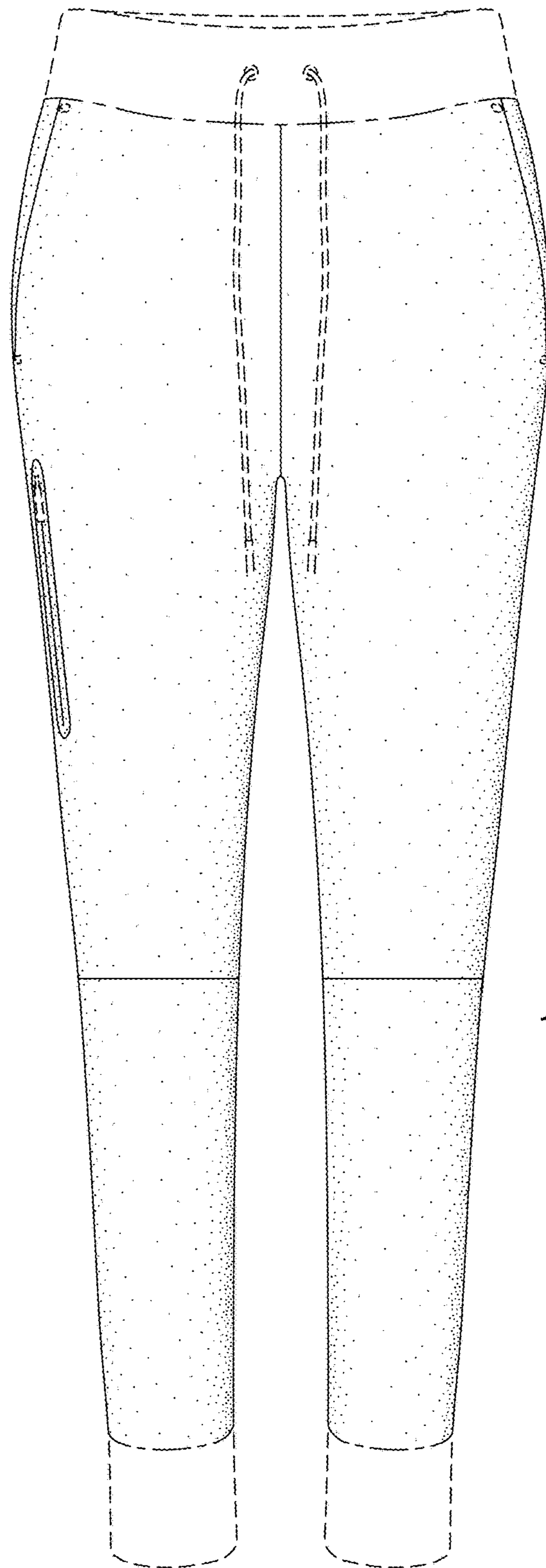


FIG. 2.

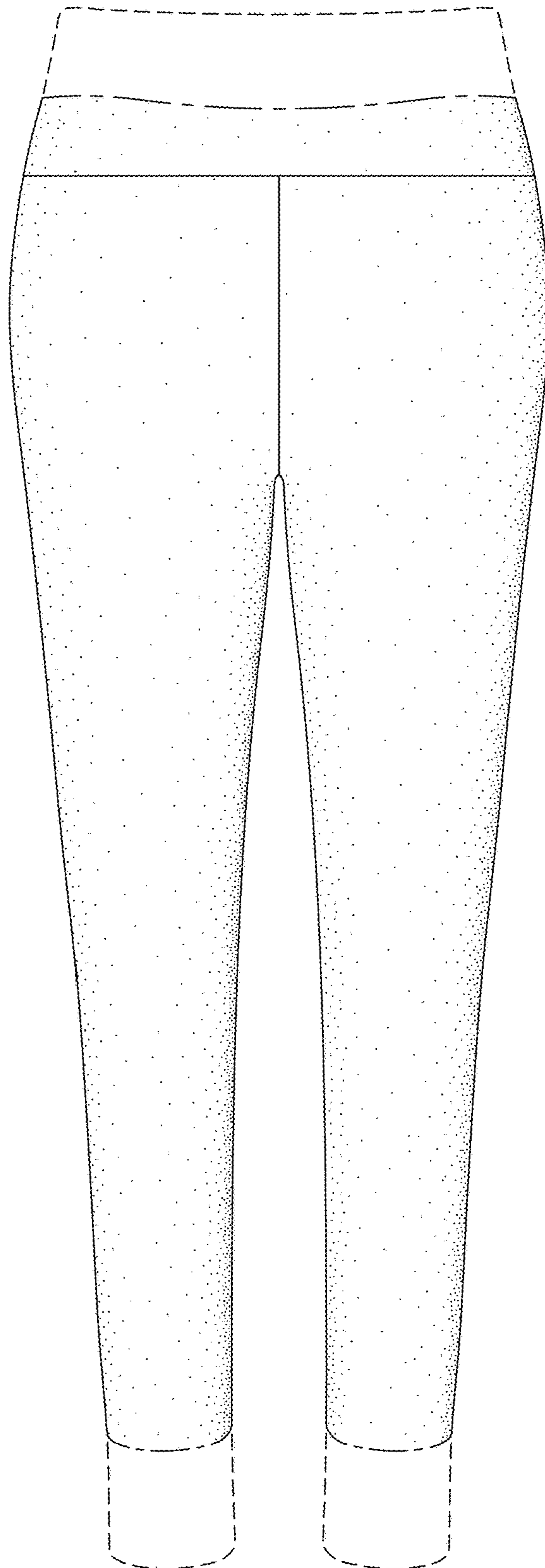


FIG. 3.

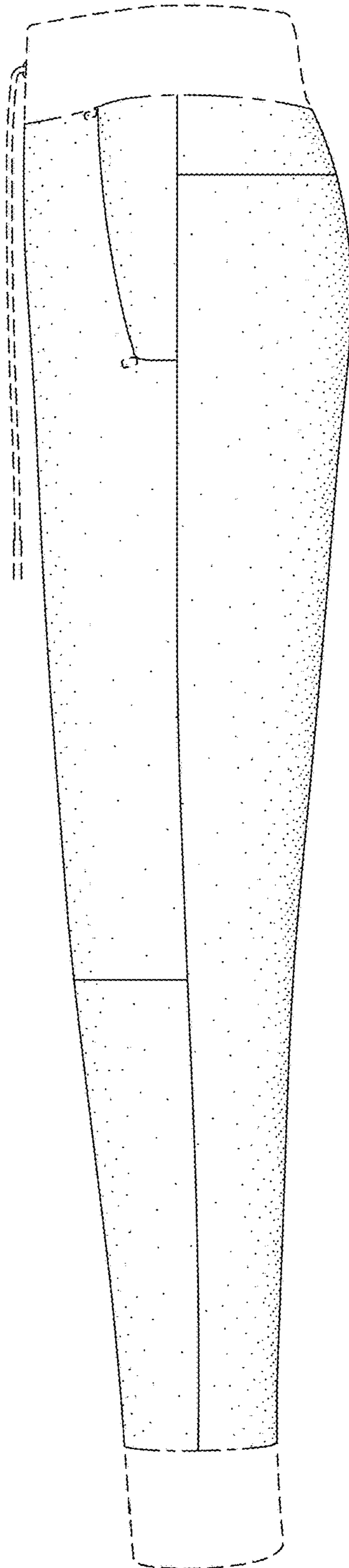


FIG. 4.

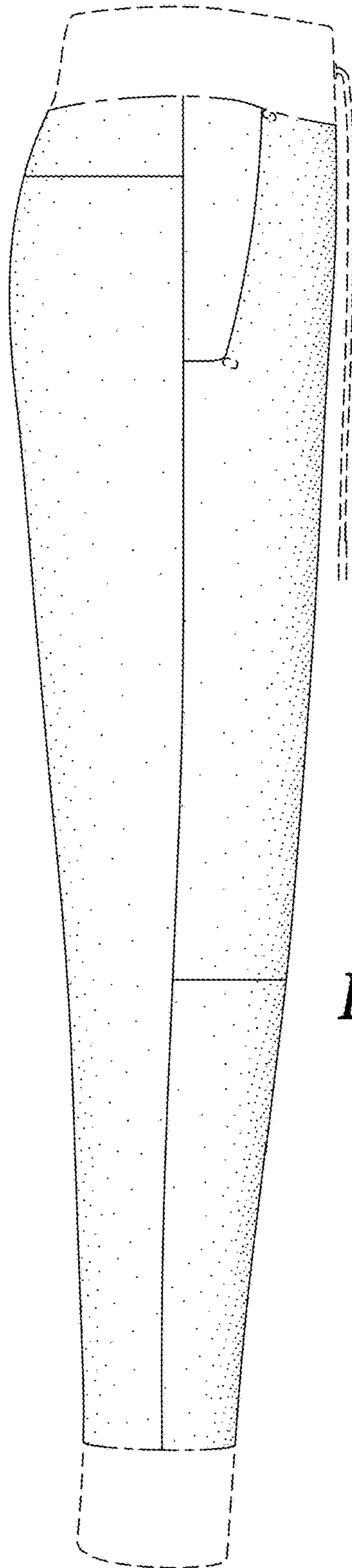


FIG. 5.

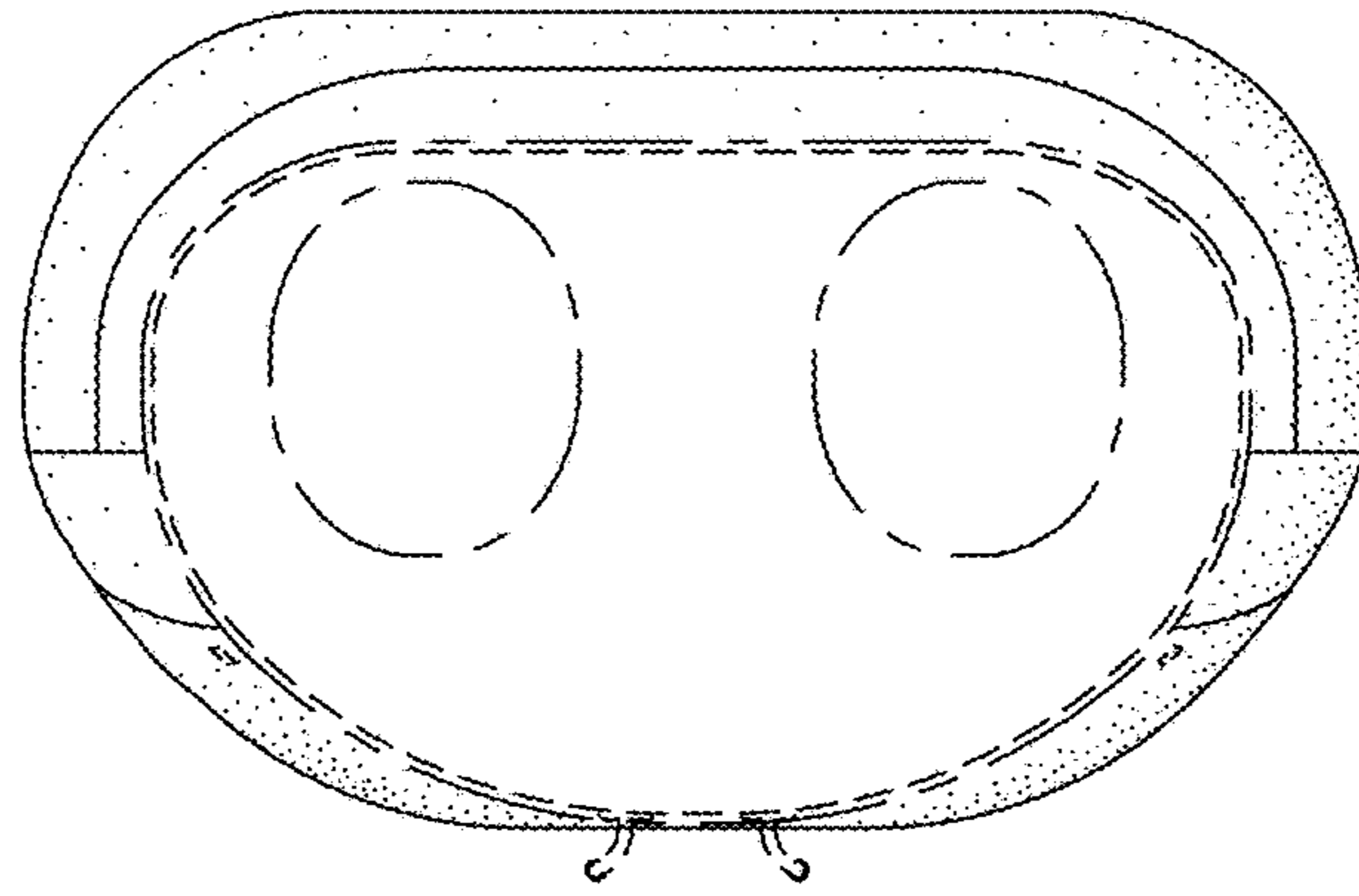


FIG. 6.

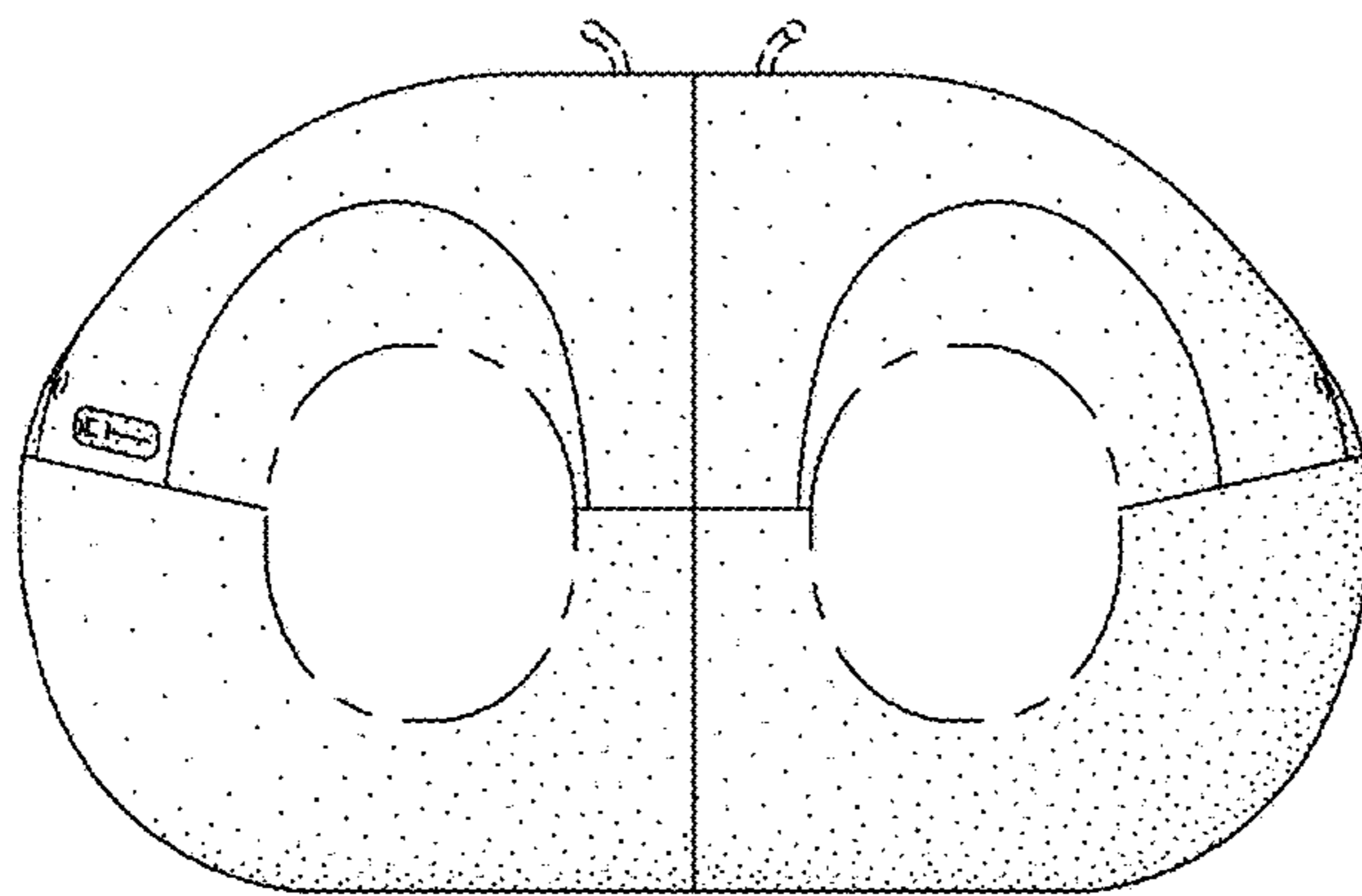


FIG. 7.