



US00D839541S

(12) **United States Design Patent** (10) **Patent No.:** **US D839,541 S**  
**Pollitt** (45) **Date of Patent:** **\*\* Feb. 5, 2019**

- (54) **ZIPPER FOR PANTS**
- (71) Applicant: **Mylo S. Lord, LLC**, Indian Hills, CO (US)
- (72) Inventor: **Stephen Pollitt**, Indian Hills, CO (US)
- (73) Assignee: **Mylo S. Lord, LLC**, Indian Hills, CO (US)
- (\*\*) Term: **15 Years**
- (21) Appl. No.: **29/598,605**
- (22) Filed: **Mar. 27, 2017**

- D613,038 S \* 4/2010 Viola ..... D2/742
- D619,332 S 7/2010 Pouches
- D658,355 S 5/2012 Guerrero
- D679,890 S 4/2013 Persaud
- D686,390 S 7/2013 Downs
- D705,522 S \* 5/2014 Borovicka ..... D2/831
- D763,549 S 8/2016 Davis
- D764,144 S 8/2016 Cristoforo
- D768,359 S \* 10/2016 Lago ..... D2/742
- D770,725 S 11/2016 Jaklinski
- D771,913 S \* 11/2016 Hernandez, Jr. .... D2/882

(Continued)

**Related U.S. Application Data**

- (62) Division of application No. 29/499,593, filed on Aug. 15, 2014, now Pat. No. Des. 782,159.
- (51) **LOC (11) Cl.** ..... **02-02**
- (52) **U.S. Cl.**  
USPC ..... **D2/742**
- (58) **Field of Classification Search**  
USPC ..... D2/742, 712, 857, 731, 738, 739, 851,  
D2/853, 743, 745, 700, 748, 747, 871;  
2/93, 70, 227, 108, 234-237, 220, 219,  
2/228, 238, 106  
CPC . A41D 1/06; A41D 1/08; A41D 1/067; A41D  
1/00; A41D 15/002; A41D 15/005; A41D  
15/00; A41D 13/065; A41D 13/02; A41D  
27/28; A41D 27/24; A41D 27/08; A41D  
27/20; A41D 27/00; A41D 2400/70;  
A41B 19/00; A44B 1/00  
See application file for complete search history.

(56) **References Cited**

**U.S. PATENT DOCUMENTS**

- D398,438 S \* 9/1998 De Baere ..... D2/911
- D467,715 S \* 12/2002 Finney ..... D2/970
- D506,303 S \* 6/2005 Rocha ..... 2/69
- D513,660 S \* 1/2006 Greene ..... D2/742

**OTHER PUBLICATIONS**

Design U.S. Appl. No. 29/499,593, filed Aug. 15, 2014. First Named Inventor: Pollitt.

*Primary Examiner* — Abraham Bahta

(74) *Attorney, Agent, or Firm* — Santangelo Law Offices, P.C.

(57) **CLAIM**

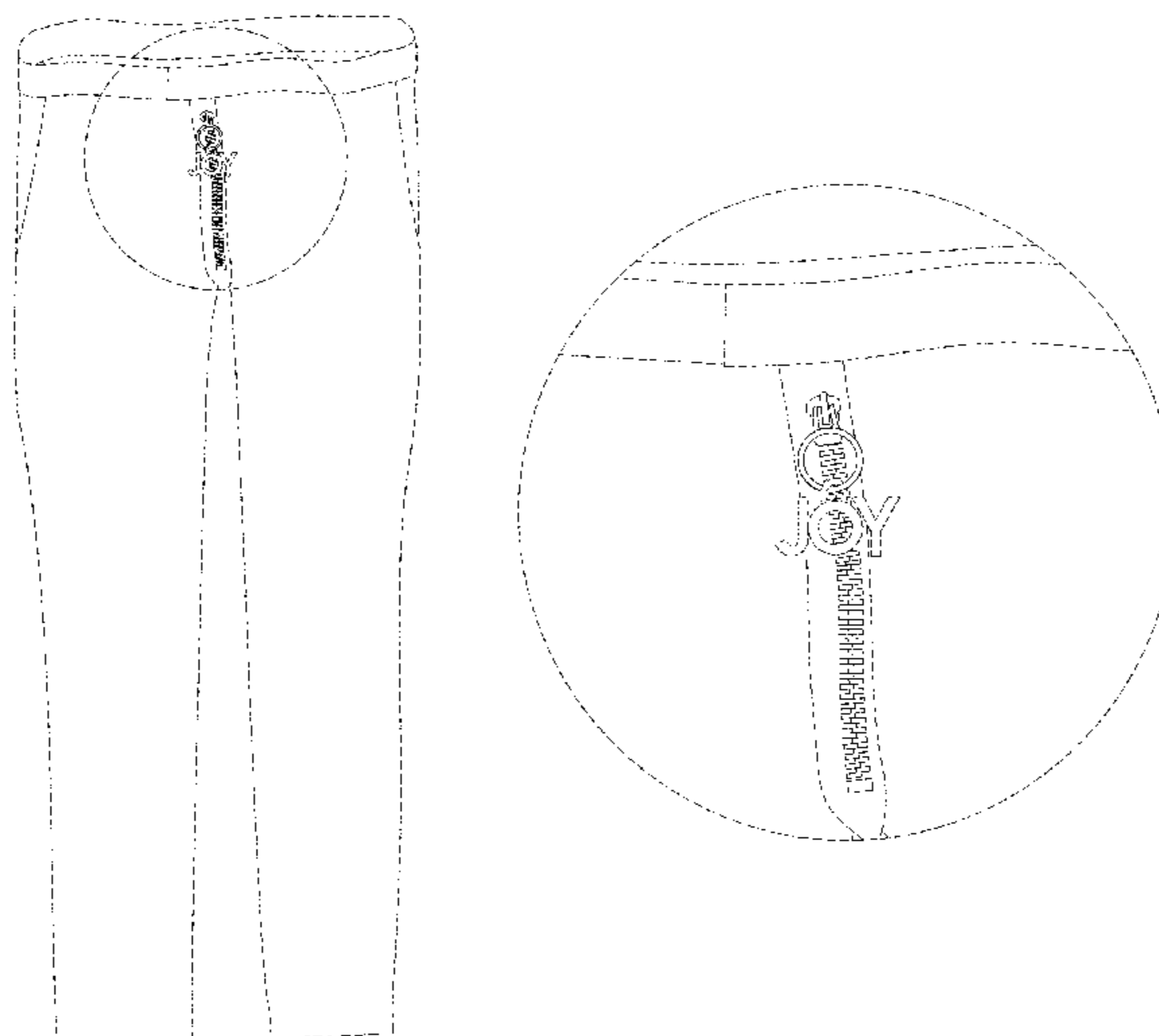
The ornamental design for a zipper for pants, as shown and described.

**DESCRIPTION**

FIG. 1 is a front view of the zipper for pants showing my new design;  
FIG. 2 is an enlarged view of the encircled portion in FIG. 1;  
FIG. 3 is a right side view thereof;  
FIG. 4 is a left side view thereof;  
FIG. 5 is a top view thereof;  
FIG. 6 is a bottom view thereof; and,  
FIG. 7 is a back view thereof.

The broken lines shown represent unclaimed subject matter, form no part of the claimed design, and should be understood as broadly indicating merely one potential location of such zipper designs on one potential item of clothing without limitation.

**1 Claim, 5 Drawing Sheets**



(56)

**References Cited**

U.S. PATENT DOCUMENTS

D782,159 S	3/2017	Pollitt	
D790,829 S *	7/2017	Goldstein .....	D2/969
D812,857 S *	3/2018	Rapp .....	D2/828

\* cited by examiner

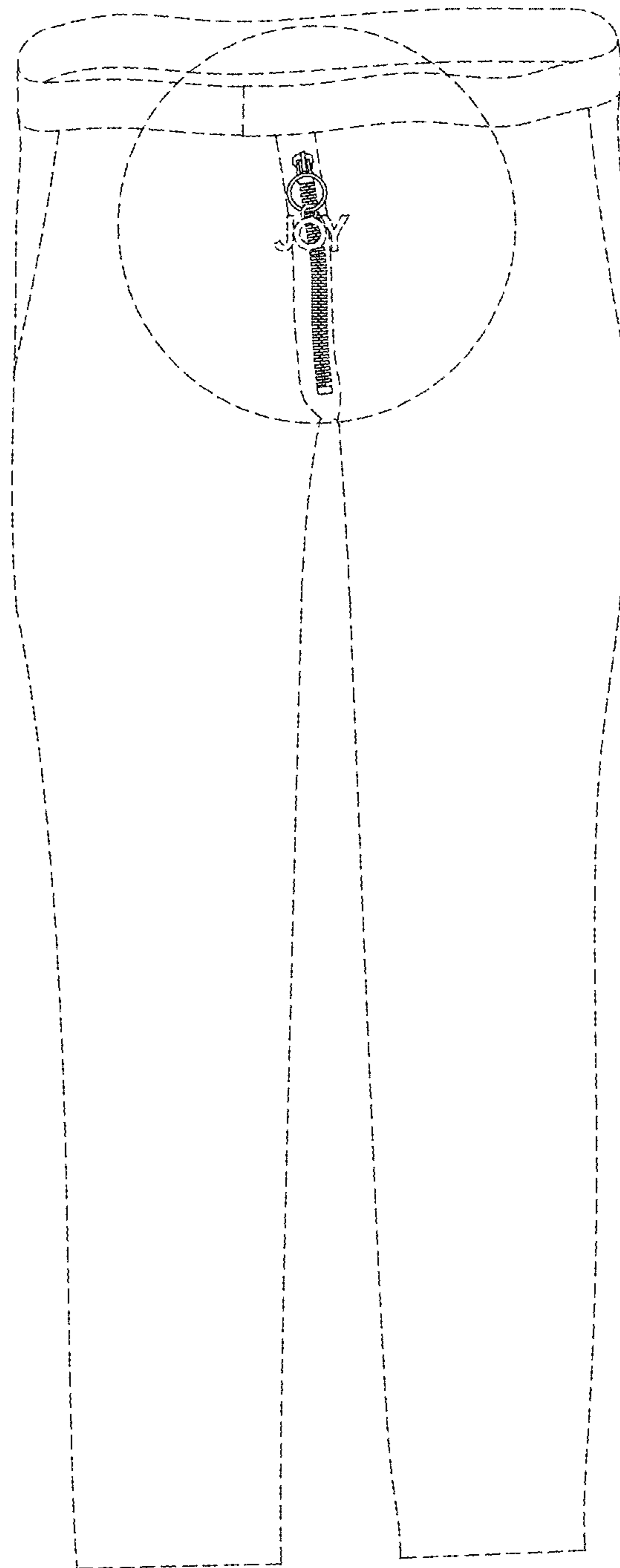


Fig. 1

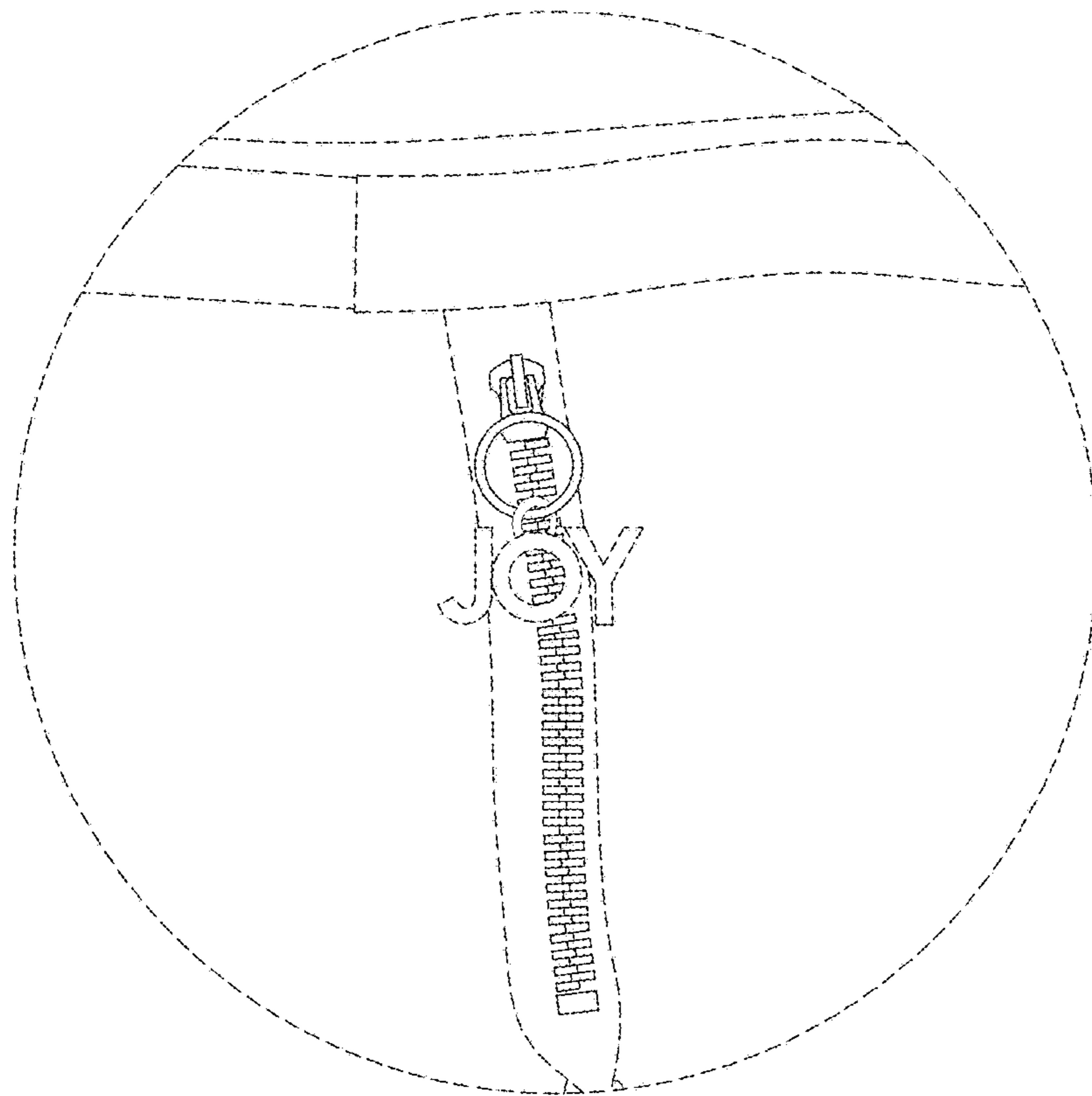


Fig. 2

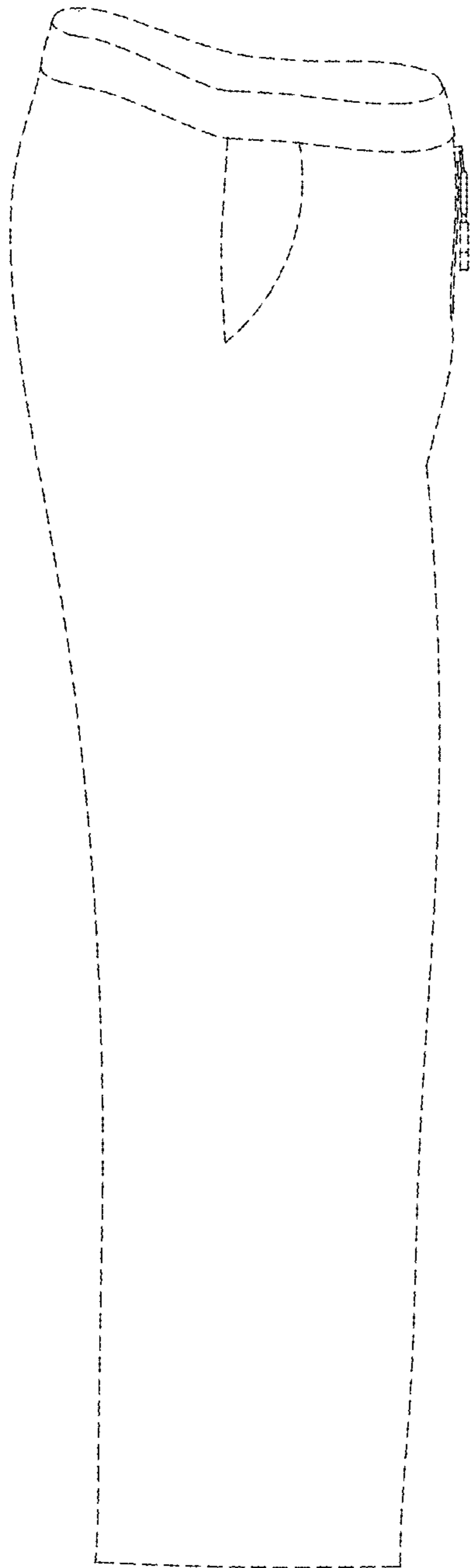


Fig. 3

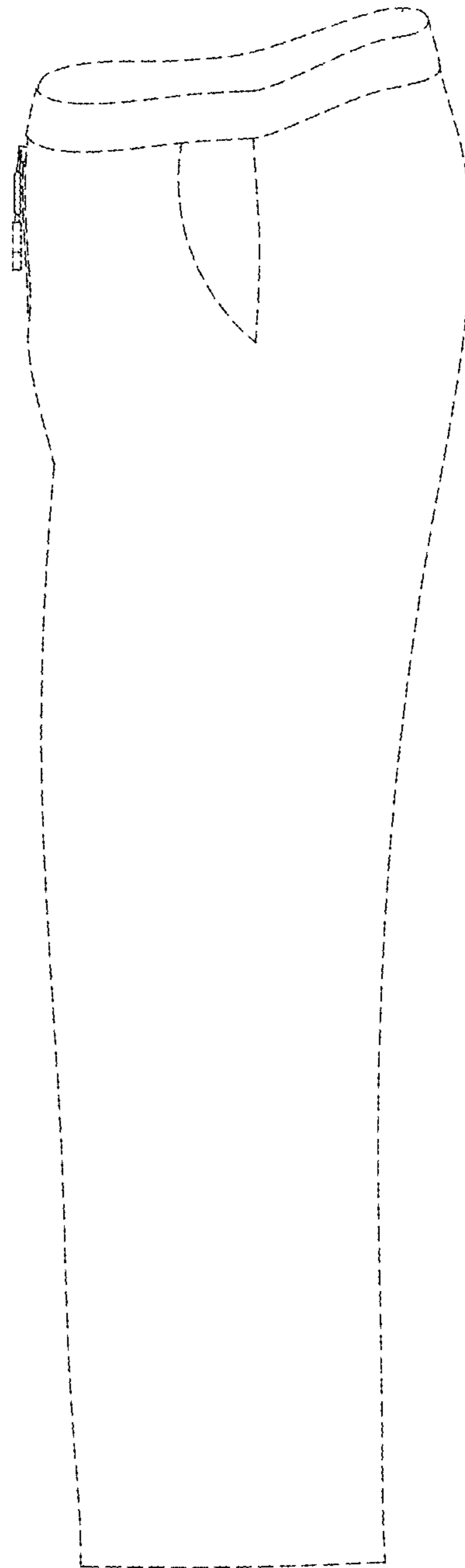


Fig. 4

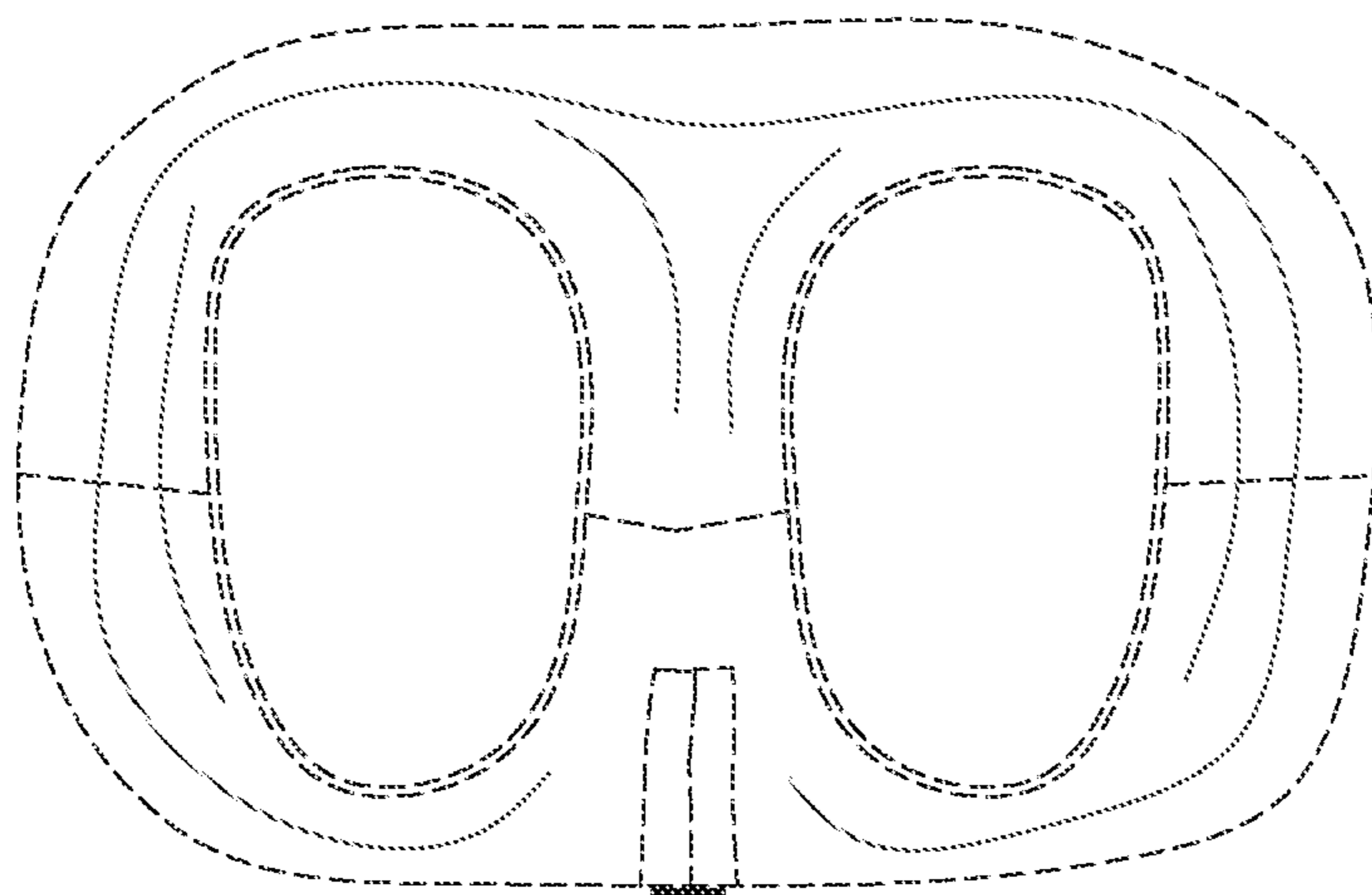


Fig. 5

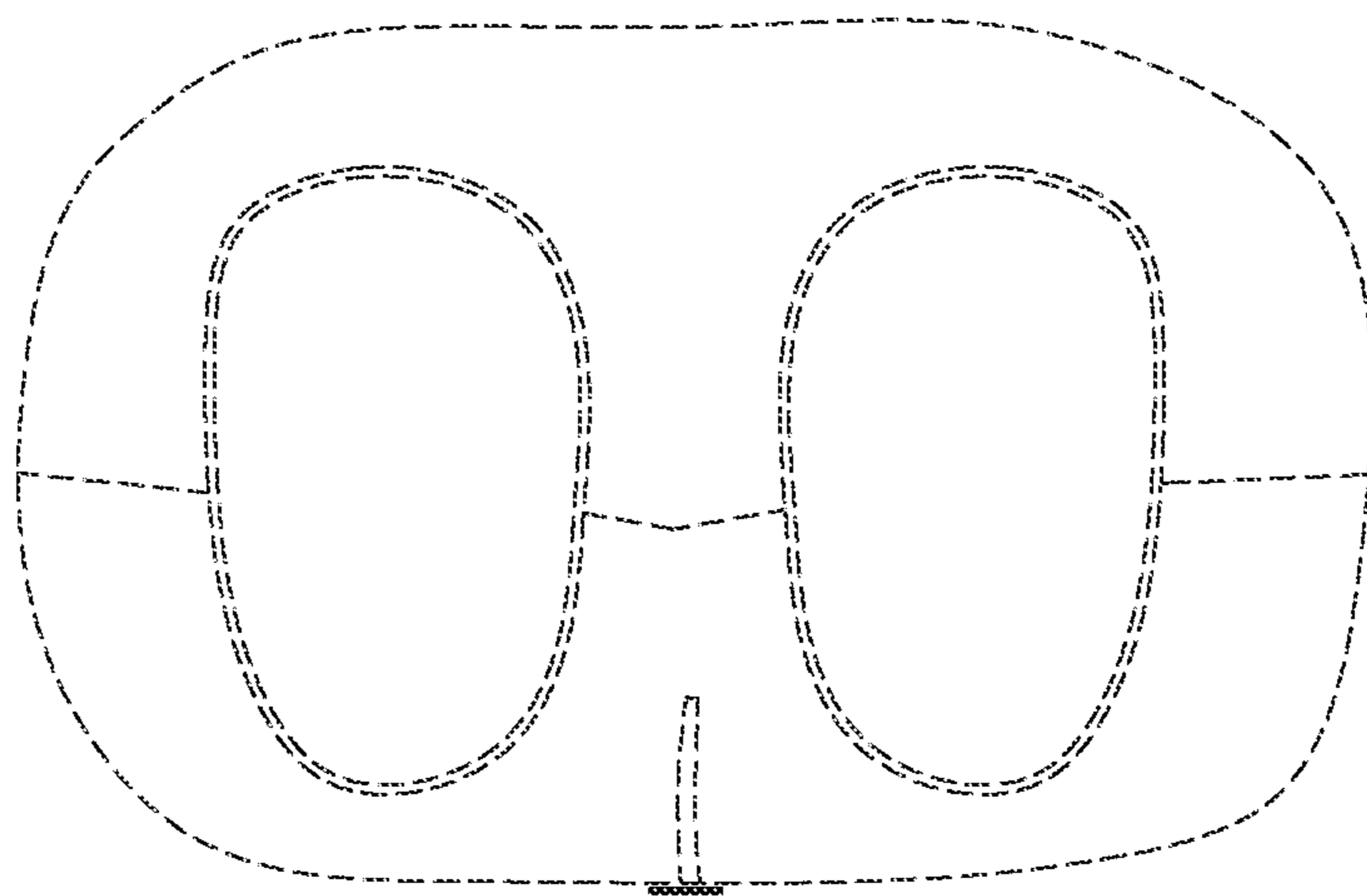


Fig. 6

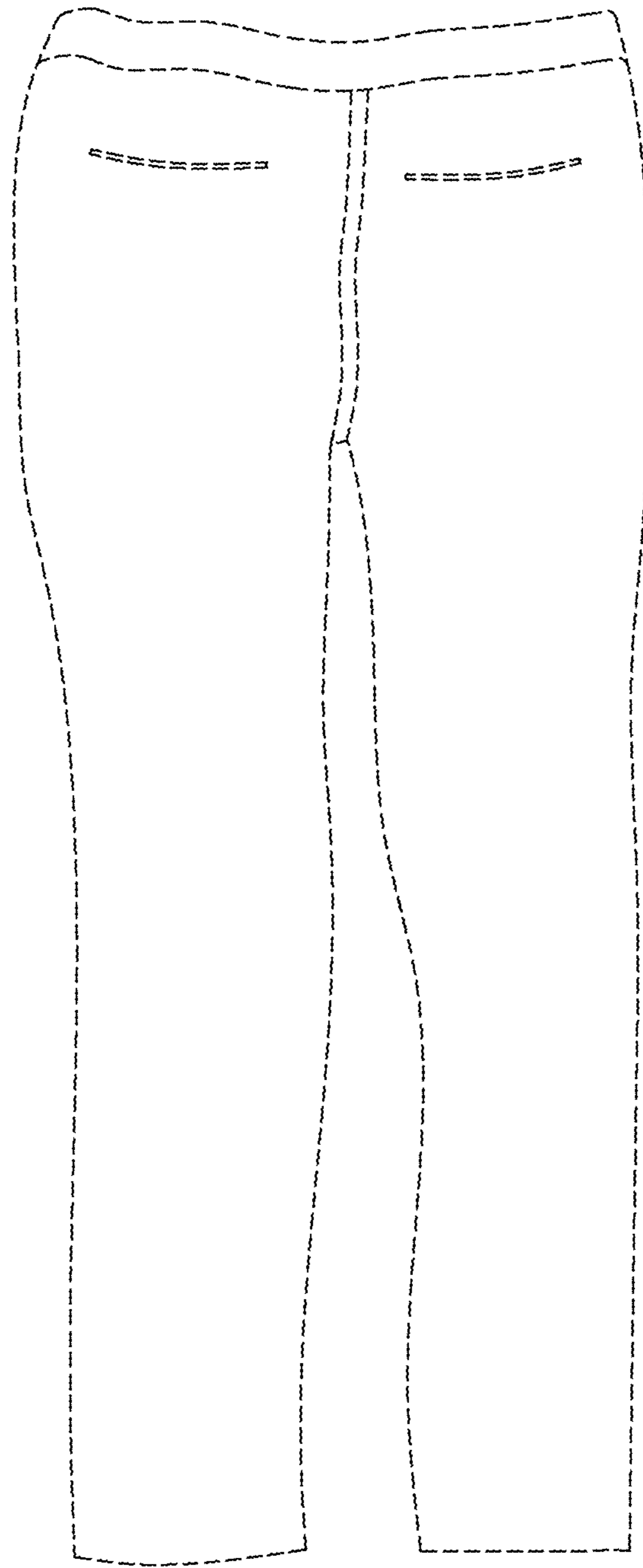


Fig. 7