



US00D839540S

(12) **United States Design Patent** (10) **Patent No.:** **US D839,540 S**  
**Elzeisa** (45) **Date of Patent:** **\*\* Feb. 5, 2019**

(54) **SHORTS**

(71) Applicant: **Perfecto Umayam Elzeisa**, Toronto (CA)

(72) Inventor: **Perfecto Umayam Elzeisa**, Toronto (CA)

(\*\*) Term: **15 Years**

(21) Appl. No.: **29/620,296**

(22) Filed: **Sep. 26, 2016**

(51) **LOC (11) Cl.** ..... **02-02**

(52) **U.S. Cl.**  
USPC ..... **D2/738**

(58) **Field of Classification Search**  
USPC ..... D2/738, 742, 731  
CPC . A41D 1/06; A41D 1/08; A41D 27/28; A41D 27/285; A41D 13/0015  
See application file for complete search history.

(56) **References Cited**

**U.S. PATENT DOCUMENTS**

2,291,589	A *	7/1942	La France	.....	A41D 1/06
					2/234
D249,097	S *	8/1978	Rahaim	.....	D2/735
D630,502	S *	1/2011	Ishii	.....	D8/383
D639,529	S *	6/2011	Boyle	.....	D2/731
D658,354	S *	5/2012	Huvar	.....	D2/738
D674,166	S *	1/2013	Wilson	.....	D2/738
D798,540	S *	10/2017	Foland	.....	D2/738

D825,140	S *	8/2018	Bassett Asam	.....	D2/738
2006/0021116	A1 *	2/2006	Protting	.....	A41B 9/14
					2/404
2009/0094798	A1 *	4/2009	Yao	.....	A43C 1/00
					24/115 G
2014/0331385	A1 *	11/2014	Okies	.....	A41D 1/06
					2/235
2017/0265543	A1 *	9/2017	Allouche	.....	A41D 27/201

\* cited by examiner

*Primary Examiner* — Robin V Webster  
*Assistant Examiner* — J. Thorn, Sr.

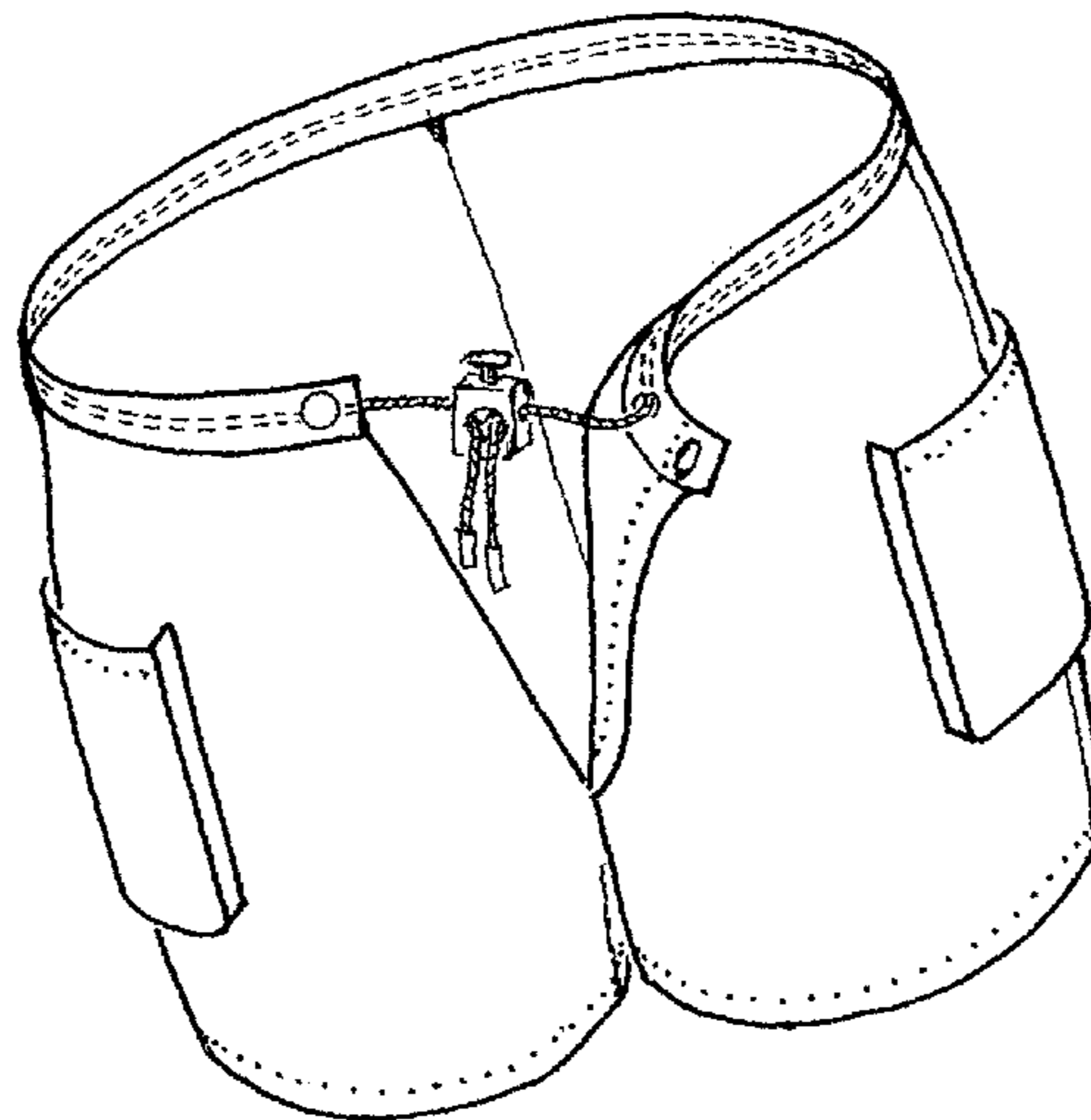
(57) **CLAIM**

The ornamental design for shorts, as shown and described.

**DESCRIPTION**

FIG. 1 is a front elevation view of shorts showing my new design.  
FIG. 2 is a top front perspective view thereof, shown with zipper in the open position.  
FIG. 3 is a right side elevation of FIG. 1.  
FIG. 4 is a left side elevation view of FIG. 1.  
FIG. 5 is a front elevation view of shorts, shown in a second embodiment.  
FIG. 6 is a top front perspective view thereof, shown with zipper in the open position.  
FIG. 7 is a right side elevation view of FIG. 5; and,  
FIG. 8 is a left side elevation view of FIG. 5.  
The broken and dotted lines represent an elastic cord and stitching, and form no part of the claimed design.

**1 Claim, 8 Drawing Sheets**



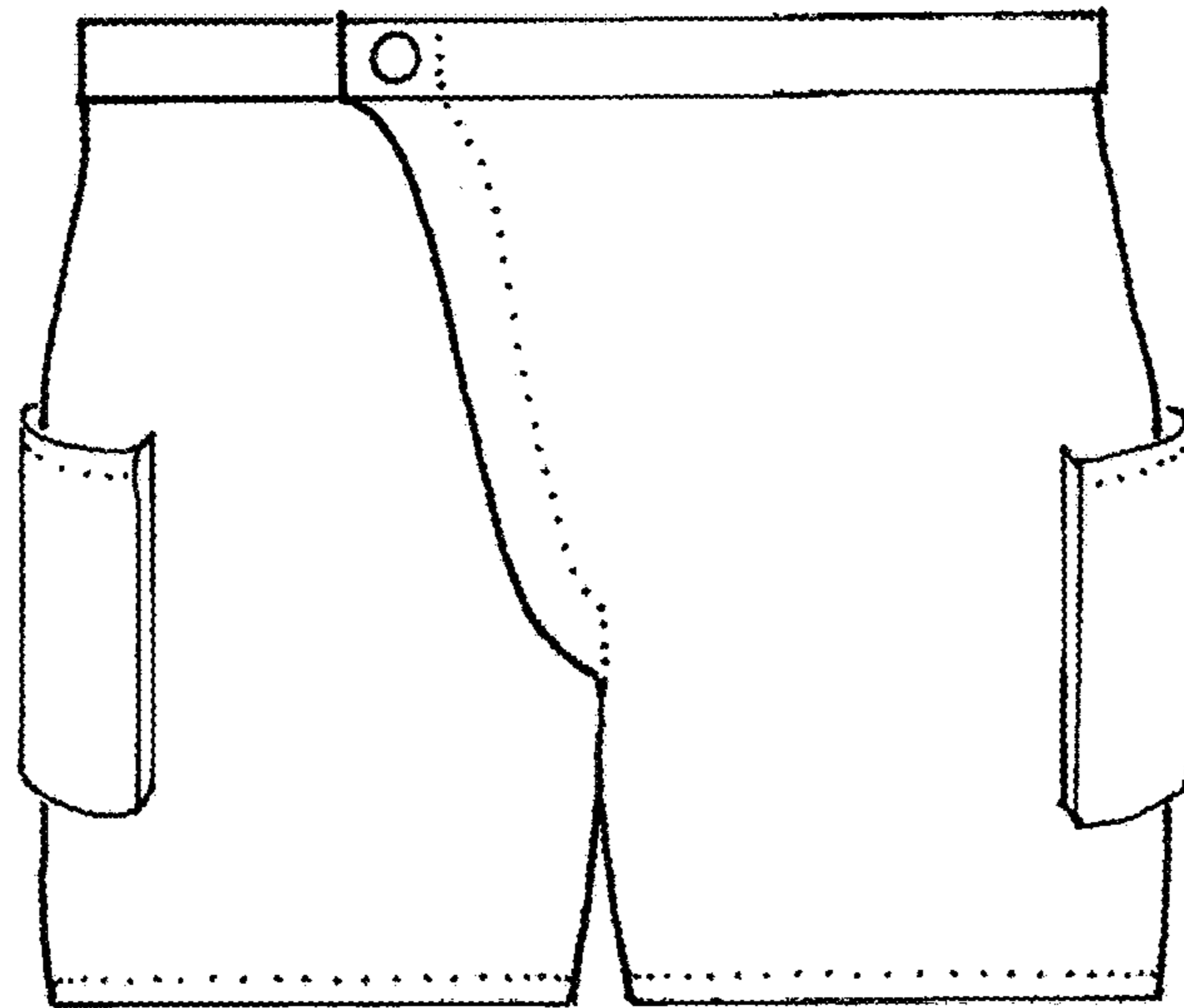


Figure 1

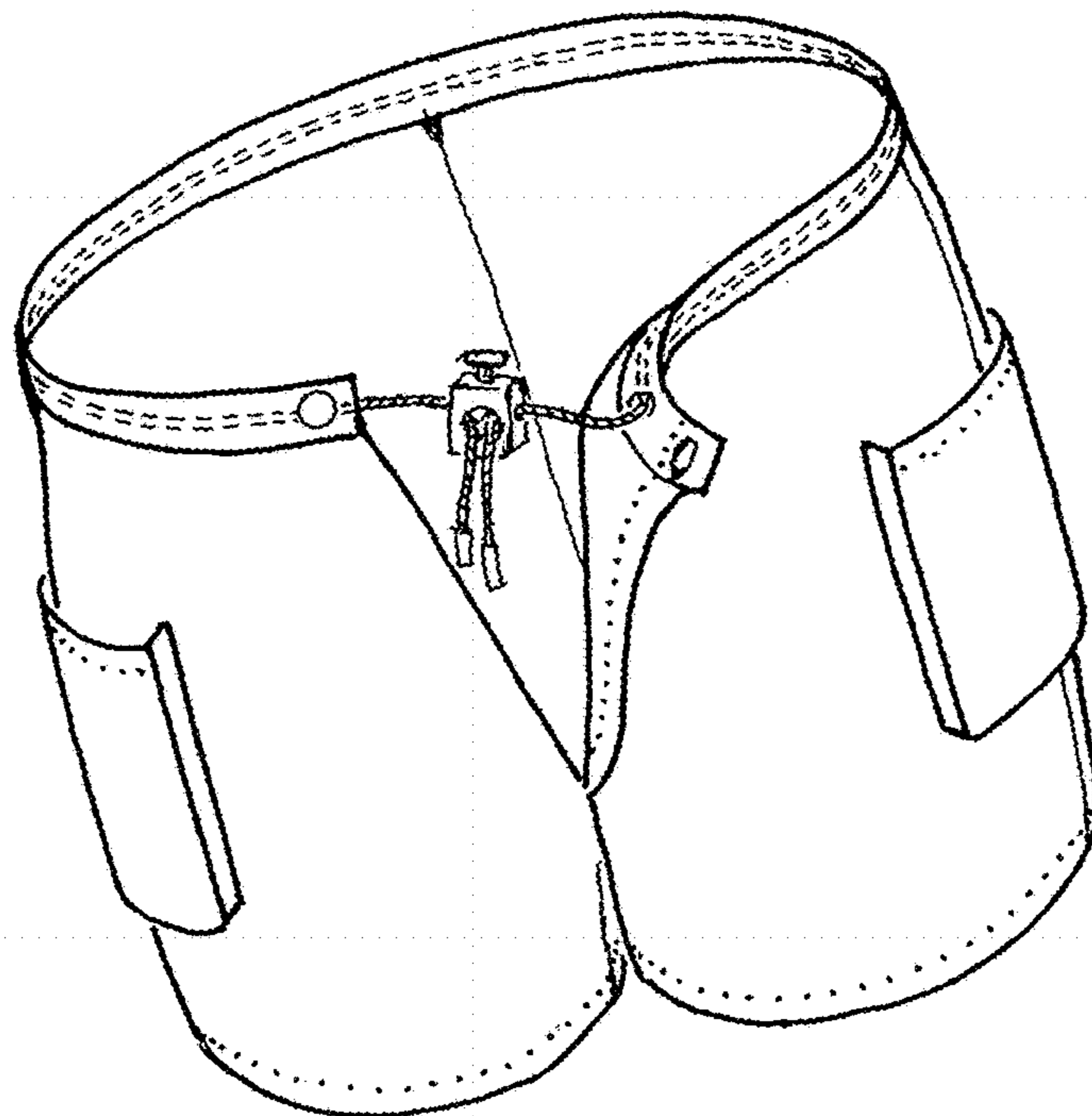


Figure 2

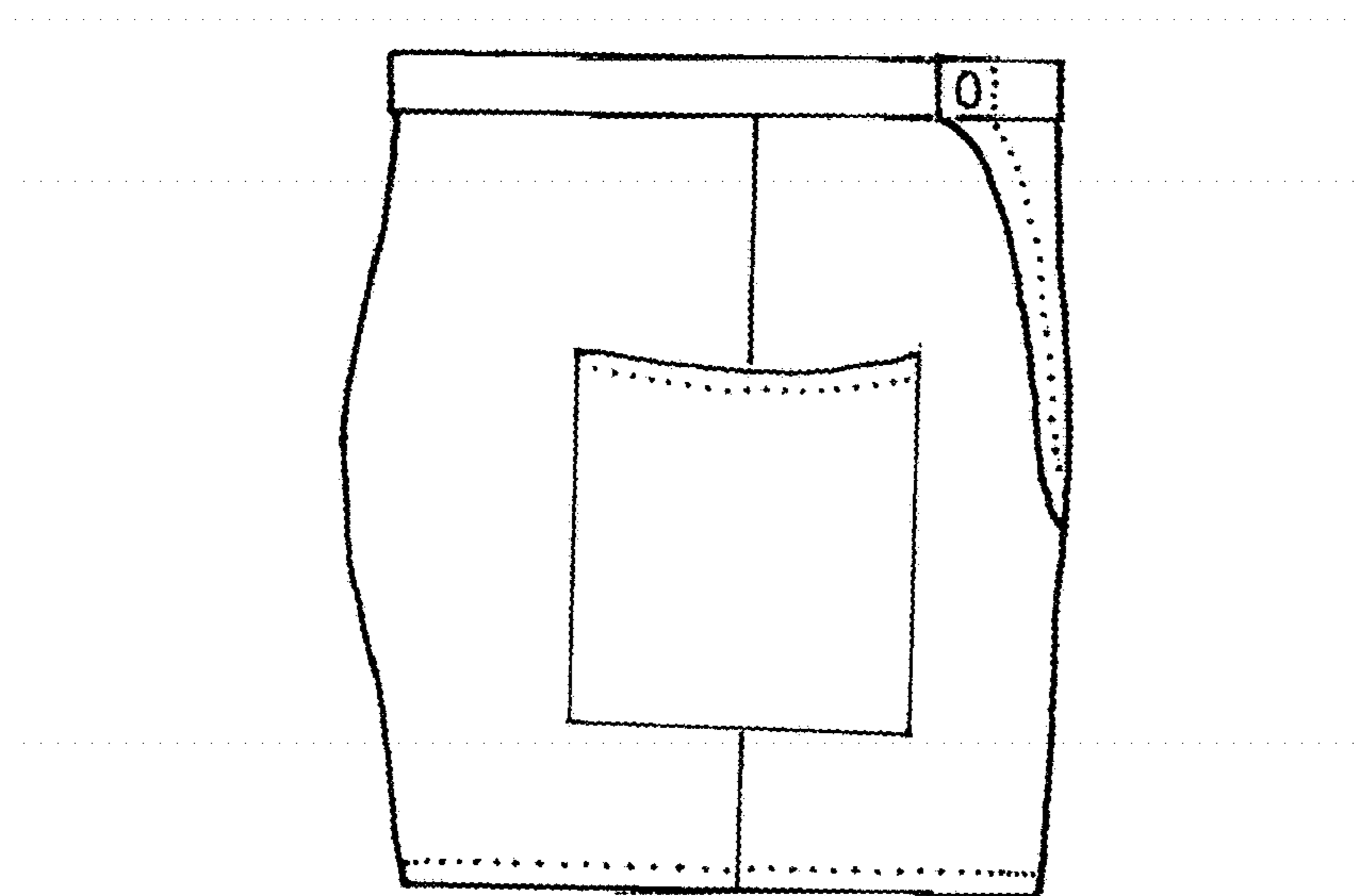


Figure 3

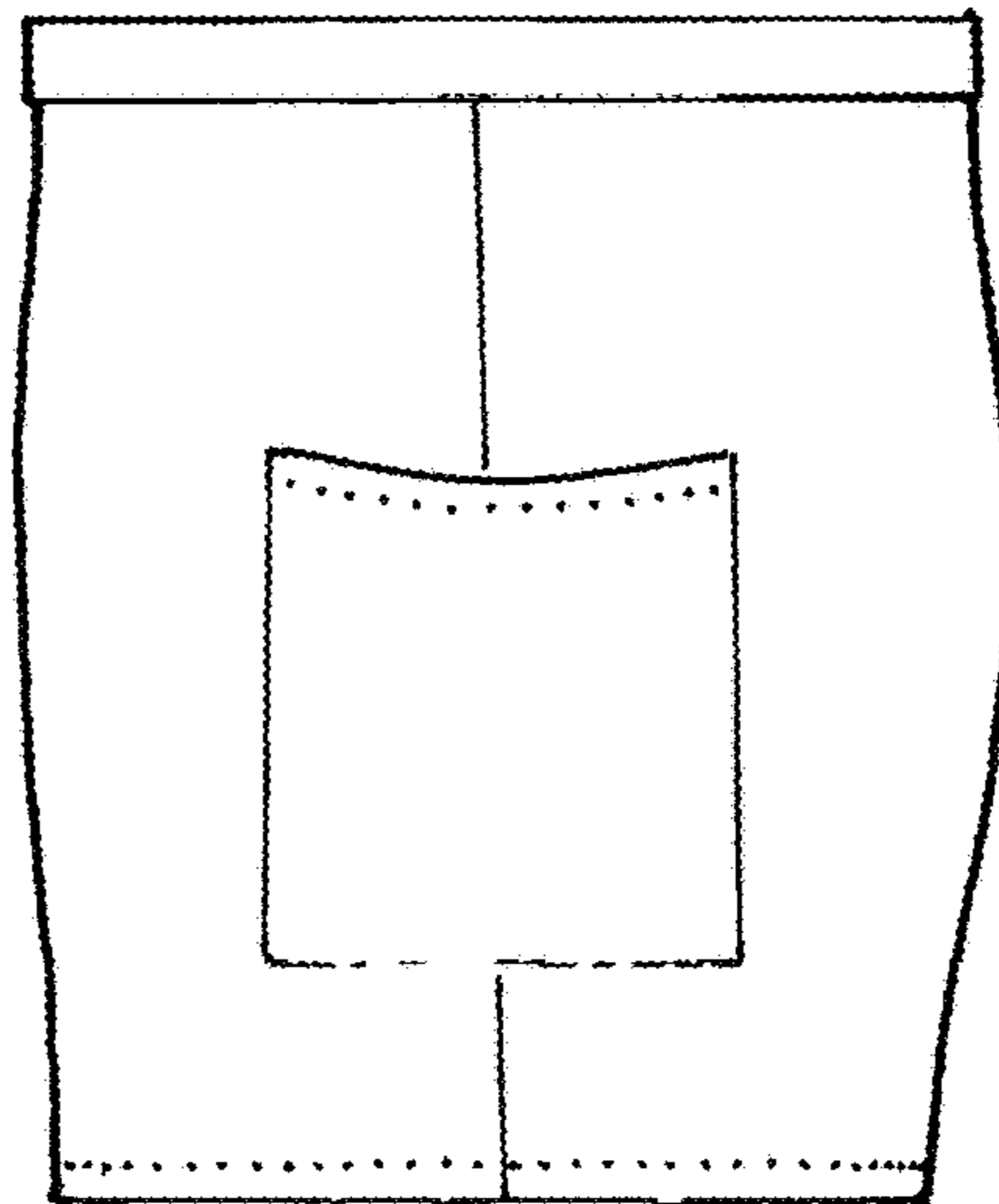


Figure 4

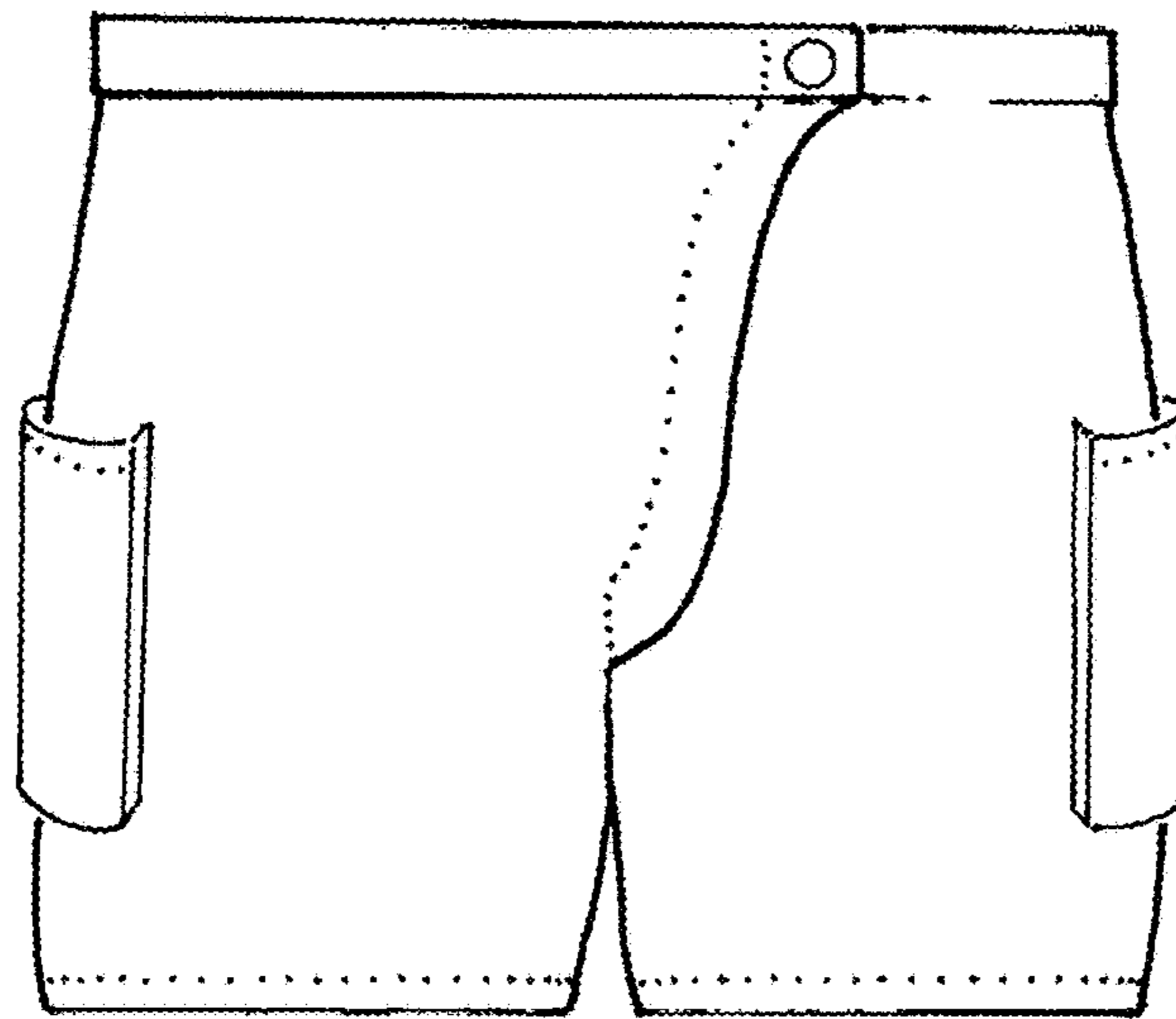


Figure 5

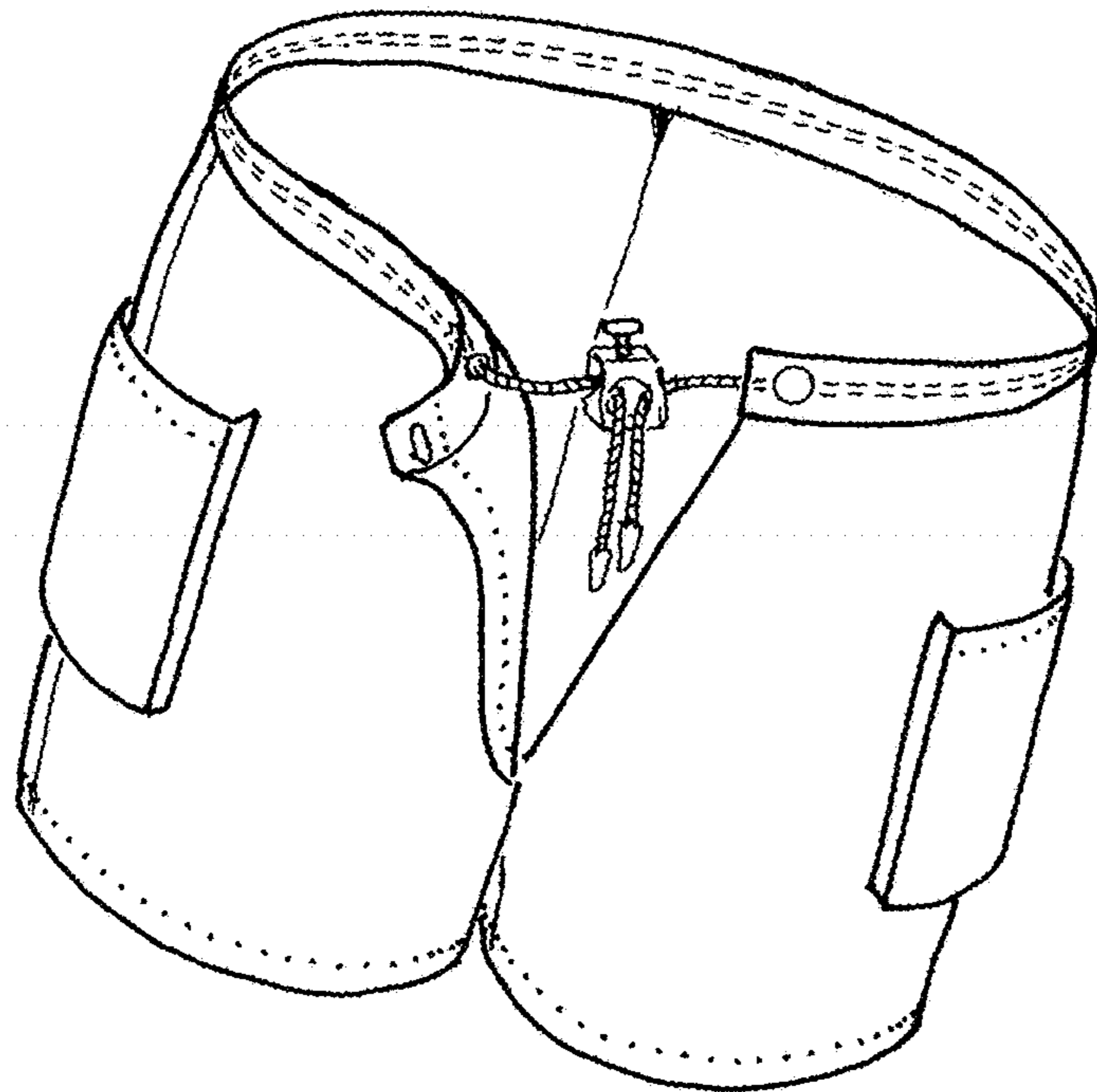


Figure 6

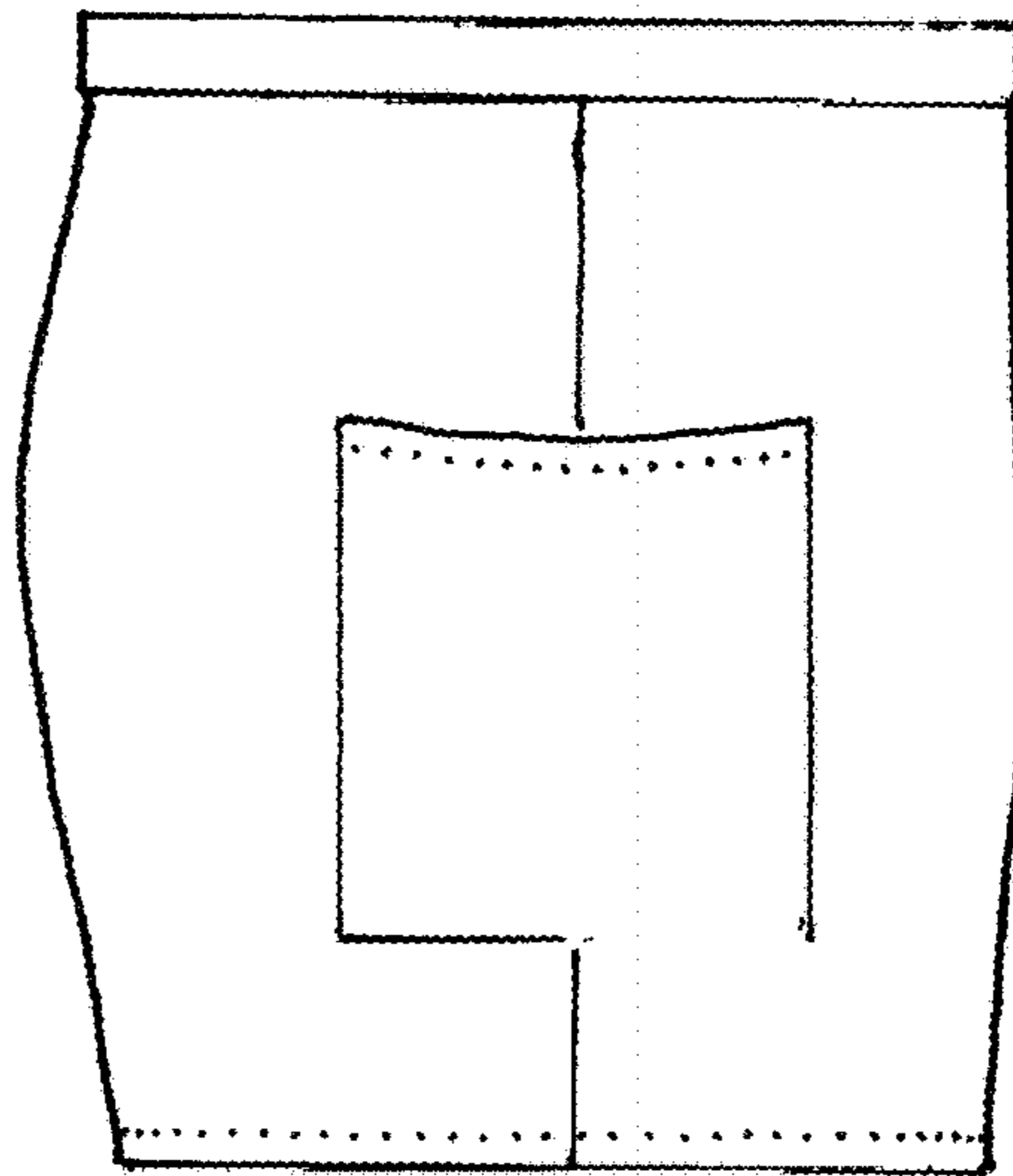


Figure 7



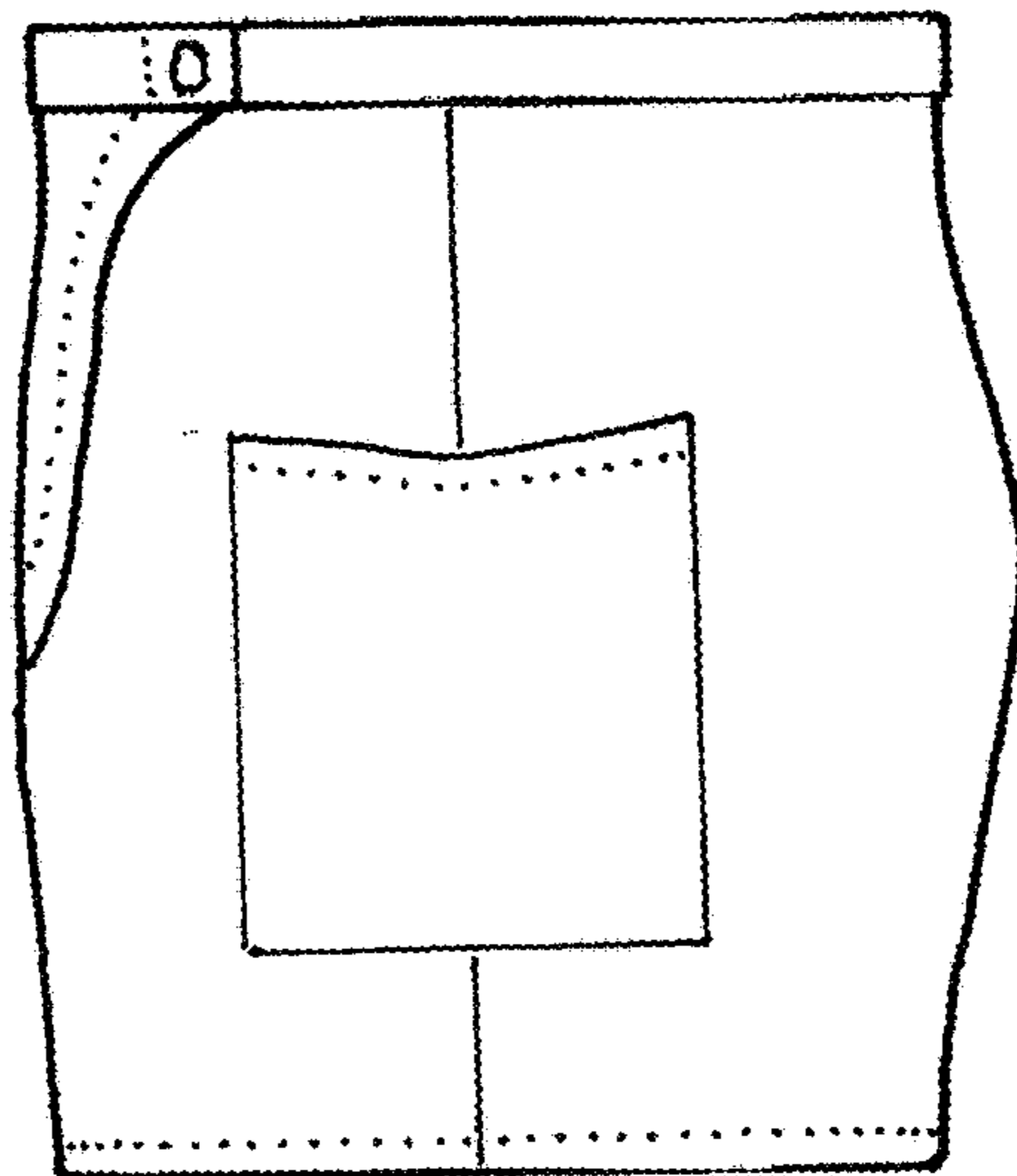


Figure 8