



US00D839533S

(12) **United States Design Patent** (10) **Patent No.:** **US D839,533 S**
Nardone et al. (45) **Date of Patent:** **** Feb. 5, 2019**

(54) **BULLETPROOF BANDANA**

(71) Applicant: **PriveCo Inc.**, Troy, MI (US)
(72) Inventors: **Thomas Michael Nardone**,
Birmingham, MI (US); **Thomas
Michael Nardone, II**, Birmingham, MI
(US)
(73) Assignee: **PriveCo Inc.**, Troy, MI (US)

(**) Term: **15 Years**

(21) Appl. No.: **29/641,824**

(22) Filed: **Mar. 26, 2018**

(51) **LOC (11) Cl.** **02-05**

(52) **U.S. Cl.**
USPC **D2/500**; D29/101.2

(58) **Field of Classification Search**
USPC D2/500, 501, 502, 503, 508, 600, 605,
D2/609; D29/101.2, 108
CPC A41D 23/00; A41D 2023/002; A41D
2023/004; A41D 2023/006; A41D
2023/008; A41D 25/00; A41D 25/001;
A41D 25/003; A41D 25/02; A41D 25/16
See application file for complete search history.

(56) **References Cited**

U.S. PATENT DOCUMENTS

D33,352 S *	10/1900	Warren	D2/609
D531,385 S *	11/2006	Lund	D2/500
D546,526 S *	7/2007	Graham	D2/500
7,350,241 B2 *	4/2008	Gendall	A41D 23/00 2/173
D569,079 S *	5/2008	Whong	D2/502
D649,742 S *	12/2011	Myrick	D2/502
D665,536 S *	8/2012	Jenke	D29/108
D777,380 S *	1/2017	Win	D29/108
D778,527 S *	2/2017	Wallen	D2/500
D779,779 S *	2/2017	Clark	D2/500
D808,610 S *	1/2018	Wallen	D2/500
D833,682 S *	11/2018	Greenblat	D29/108

OTHER PUBLICATIONS

The BulletSafe Bulletproof Bandana, [on-line video]; [video published to the Internet on Mar. 6, 2018]; [retrieved from the Internet on Nov. 16, 2018]; URL: https://www.youtube.com/watch?v=1Wh5_ZqGbGU. (1 pg). (Year: 2018).*
The BulletSafe Bulletproof Bandana—New!, [on-line article]; [Wayback Machine crawlback date Apr. 28, 2018]; [retrieved from the Internet on Nov. 16, 2018]; URL: <https://web.archive.org/web/20180428194502/https://bulletproof.com/products/bulletproof-bandana>. (3 pgs). (Year: 2018).*

* cited by examiner

Primary Examiner — Karen S Acker

Assistant Examiner — Jasmine Mlinarcik

(74) *Attorney, Agent, or Firm* — Smartpat PLC

(57) **CLAIM**

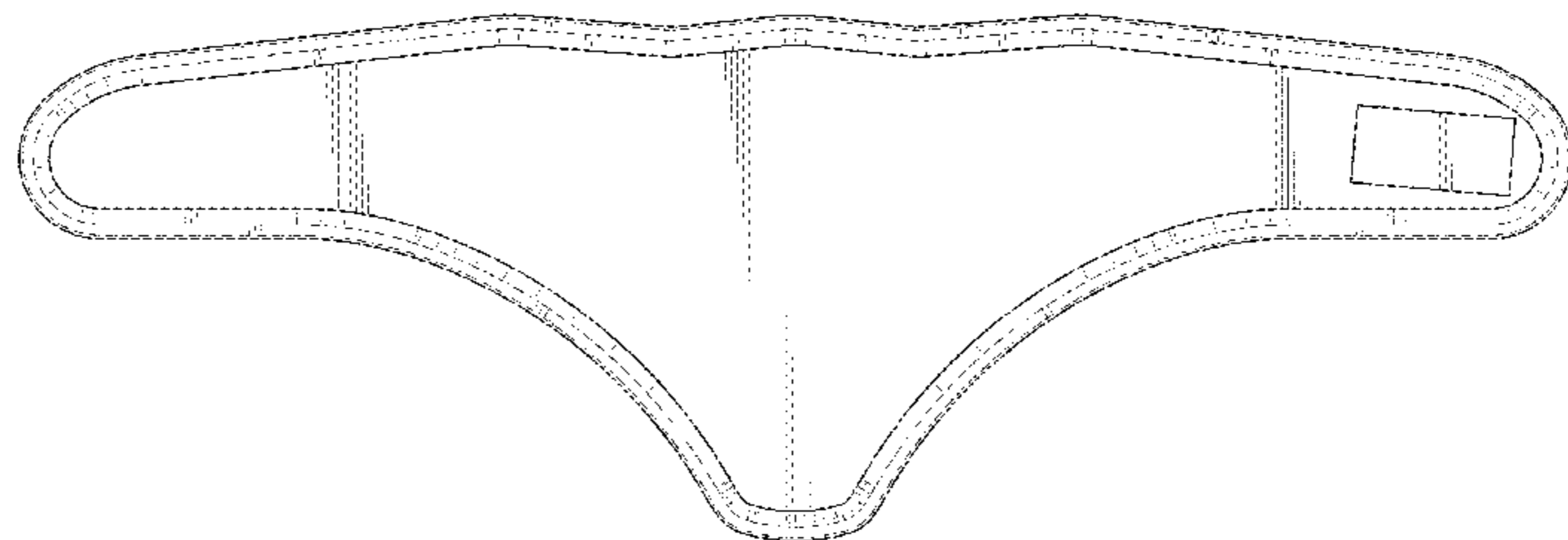
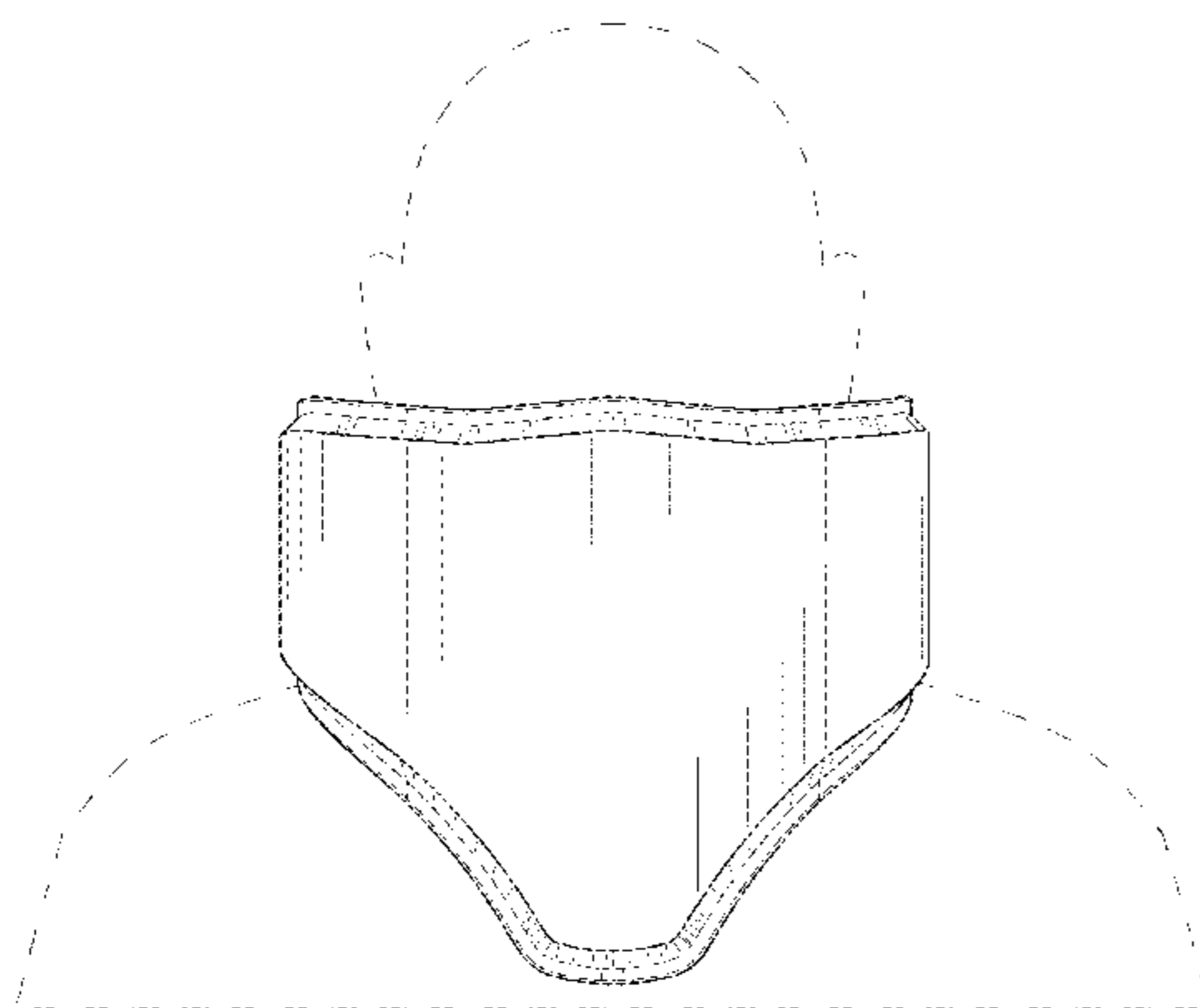
We claim the ornamental design for a bulletproof bandana, as shown and described.

DESCRIPTION

FIG. 1 is a front view of a bulletproof bandana showing our new design in use;
FIG. 2 is a rear view thereof in use;
FIG. 3 is a rear view thereof in a flat configuration;
FIG. 4 is a front view thereof in a flat configuration;
FIG. 5 is a left side view thereof in a flat configuration;
FIG. 6 is a right side view thereof in a flat configuration;
FIG. 7 is a top view thereof in a flat configuration; and,
FIG. 8 is a bottom view thereof in a flat configuration.

The human figure defined by broken lines assists in illustrating how the claimed design may appear when in use and forms no part of the claimed design. The two parallel dashed lines that follow the perimeter of the bulletproof bandana depict claimed stitching.

1 Claim, 6 Drawing Sheets



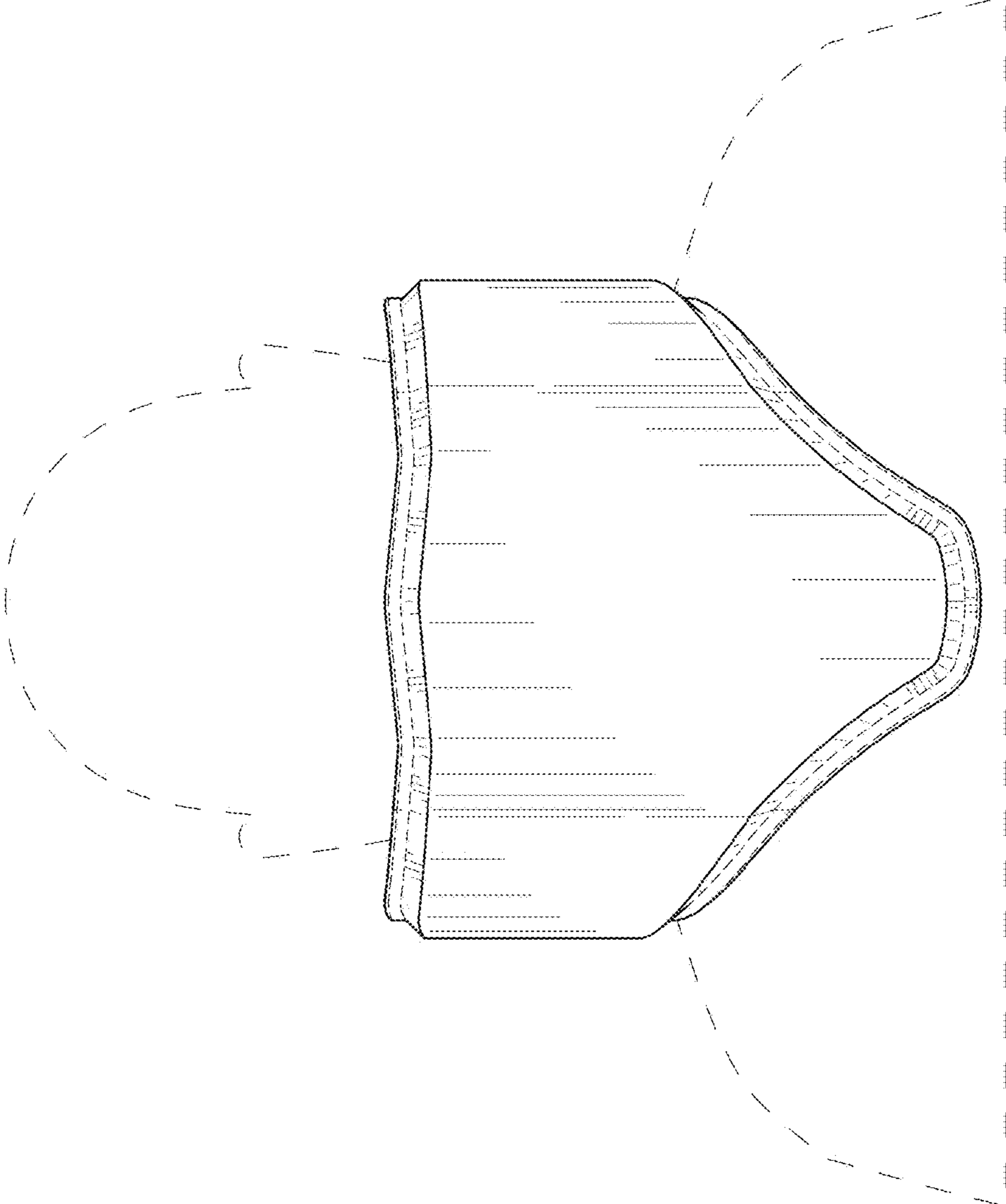


FIG. 1

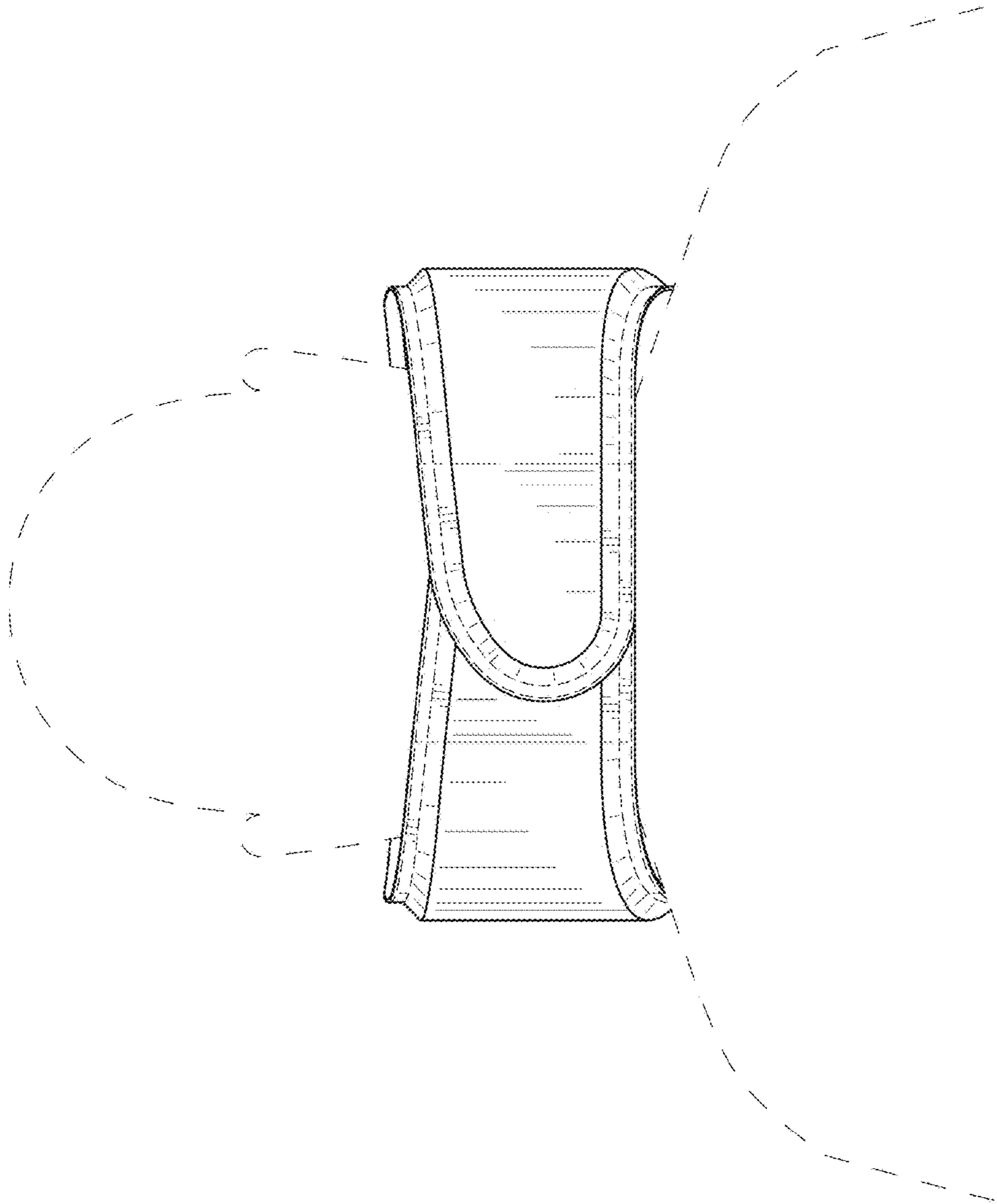


FIG. 2

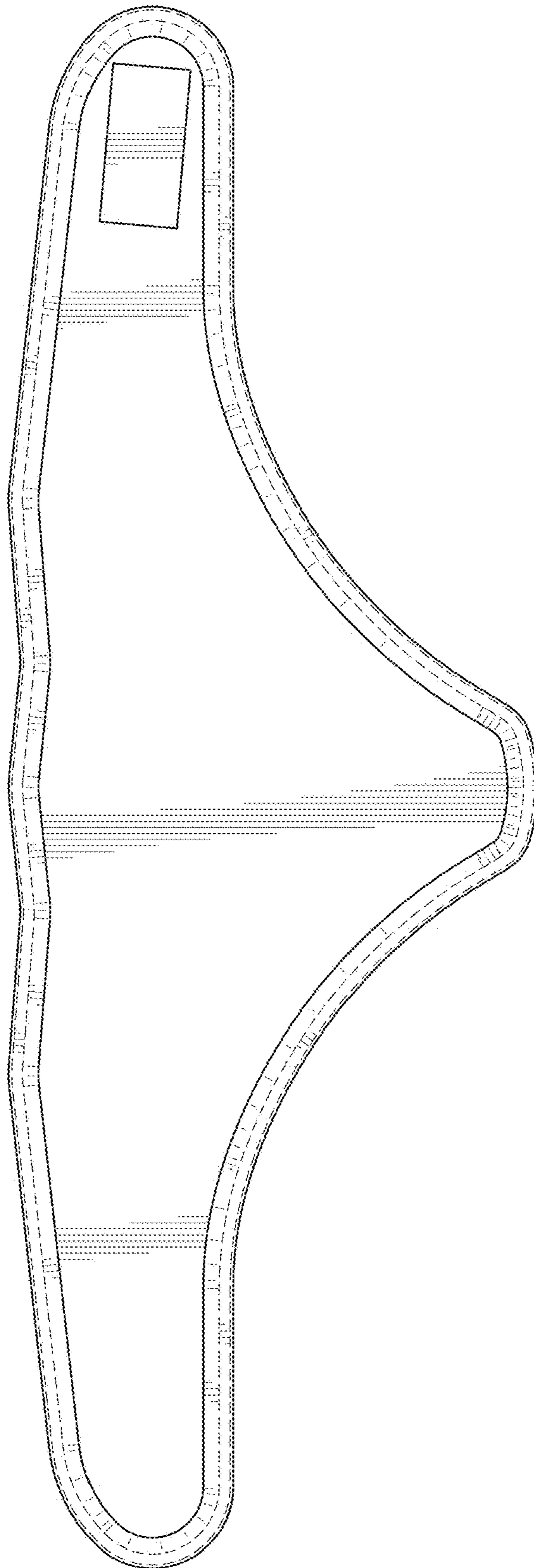


FIG. 3

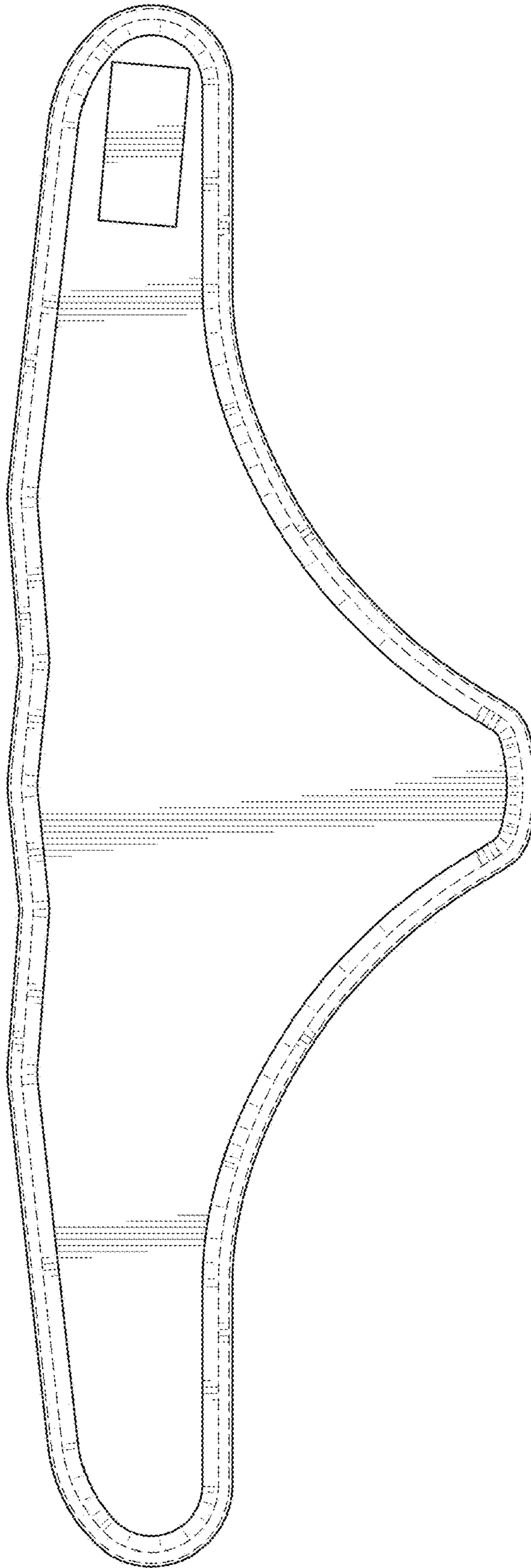


FIG. 4

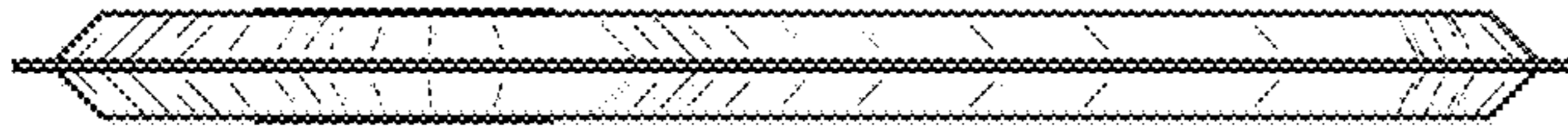


FIG. 5

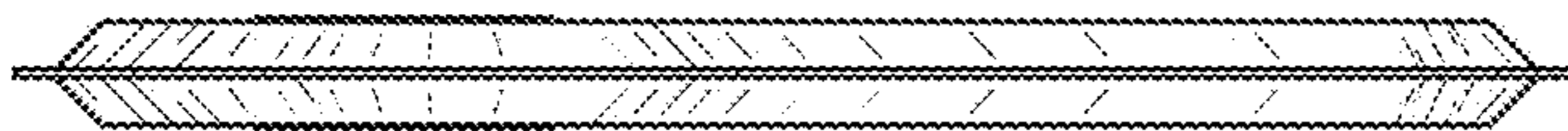


FIG. 6

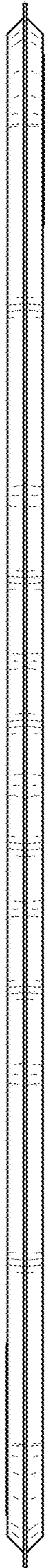


FIG. 7



FIG. 8