



US00D839528S

(12) **United States Design Patent**
Huang

(10) **Patent No.:** **US D839,528 S**

(45) **Date of Patent:** **** Jan. 29, 2019**

- (54) **POWER WINCH**
- (71) Applicant: **Comeup Industries Inc.**, Taipei (TW)
- (72) Inventor: **Shih Jyi Huang**, Taipei (TW)
- (73) Assignee: **Comeup Industries Inc.**, Taipei (TW)
- (**) Term: **15 Years**
- (21) Appl. No.: **29/621,286**
- (22) Filed: **Oct. 6, 2017**
- (51) **LOC (11) Cl.** **12-05**
- (52) **U.S. Cl.**
USPC **D34/33**
- (58) **Field of Classification Search**
USPC D34/28, 29, 33, 34, 35; 198/498, 835,
198/611, 829, 842, 806, 669; 254/346,
254/356, 344, 355, 342; D15/9
CPC B66D 2700/023; B66D 3/02; B66D 3/18;
B66D 1/00; B66D 5/02
See application file for complete search history.

- 8,973,902 B2 * 3/2015 Huang F16D 11/16
254/355
- D741,039 S * 10/2015 Huang D34/33
- D815,386 S * 4/2018 August D34/33
- 2009/0134372 A1 * 5/2009 Giacomini B66D 1/08
254/342

* cited by examiner

Primary Examiner — Cynthia Ramirez
Assistant Examiner — Gino Colan
(74) *Attorney, Agent, or Firm* — Alan D. Kamrath;
Kamrath IP Lawfirm, P.A.

(57) **CLAIM**

The ornamental design for a power winch, as shown and described.

DESCRIPTION

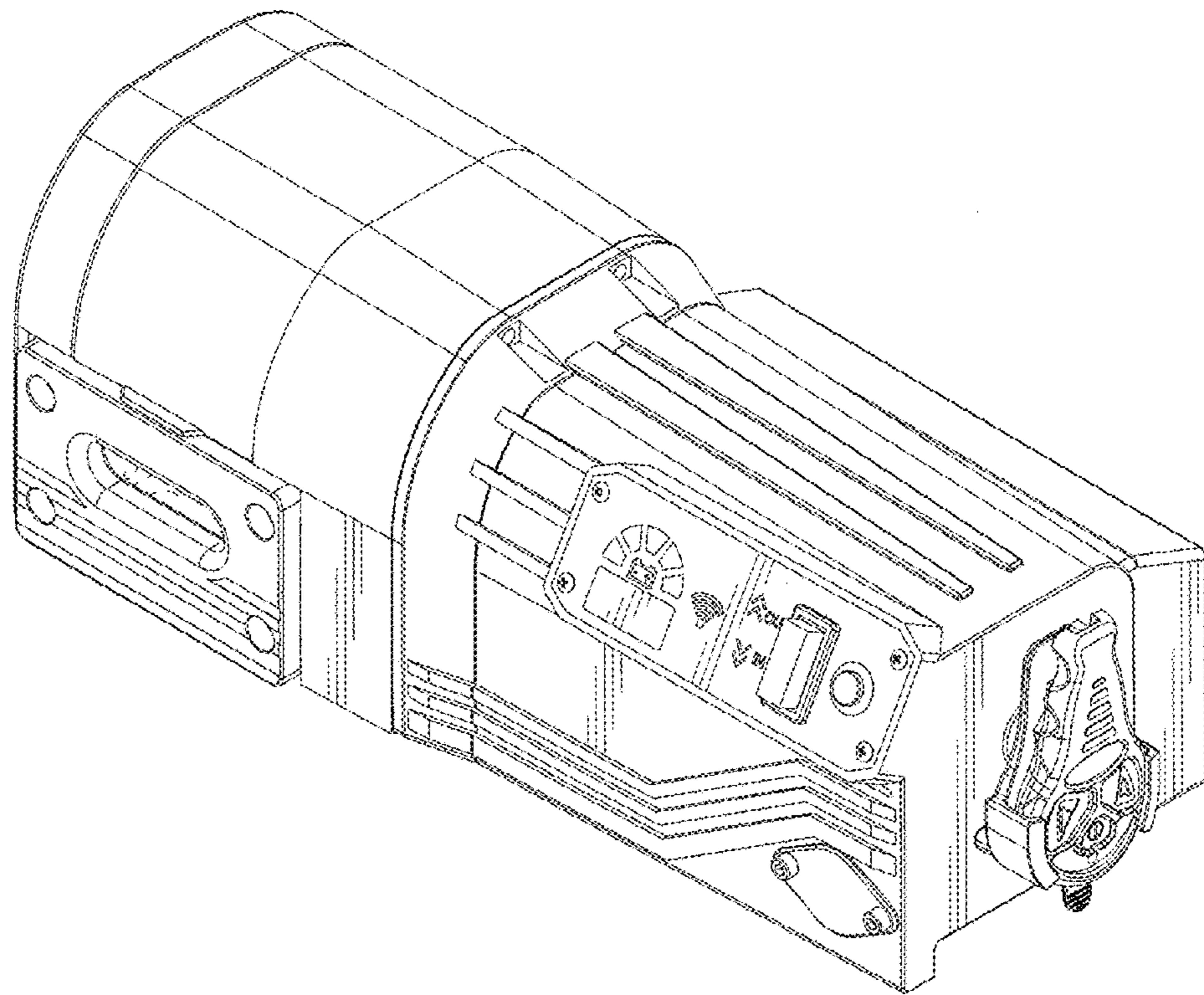
FIG. 1 is a perspective view of the power winch showing my new design;
FIG. 2 is a front elevational view thereof;
FIG. 3 is a rear elevational view thereof;
FIG. 4 is a left side elevational view thereof;
FIG. 5 is a right side elevational view thereof;
FIG. 6 is a top plan view thereof;
FIG. 7 is a bottom plan view thereof; and,
FIG. 8 is an another perspective view of the power winch showing my new design.
The broken lines shown in the figures are for the purpose of illustrating portions of the power winch that form no part of the claimed design.

(56) **References Cited**

U.S. PATENT DOCUMENTS

- D411,364 S * 6/1999 Sasaki D34/33
- D439,722 S * 3/2001 Huang D34/33
- D597,105 S * 7/2009 Geisler D15/9

1 Claim, 7 Drawing Sheets



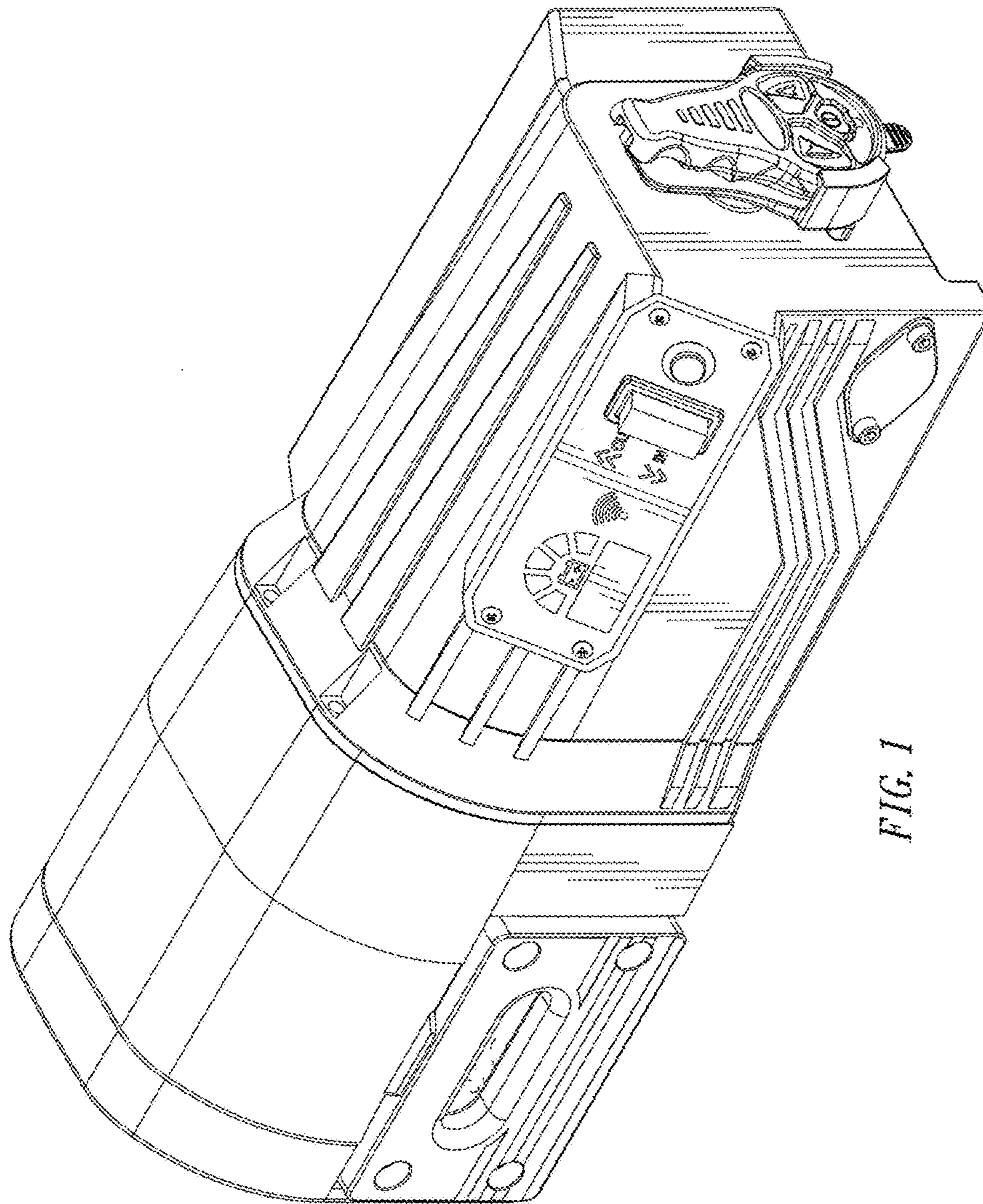


FIG. 1

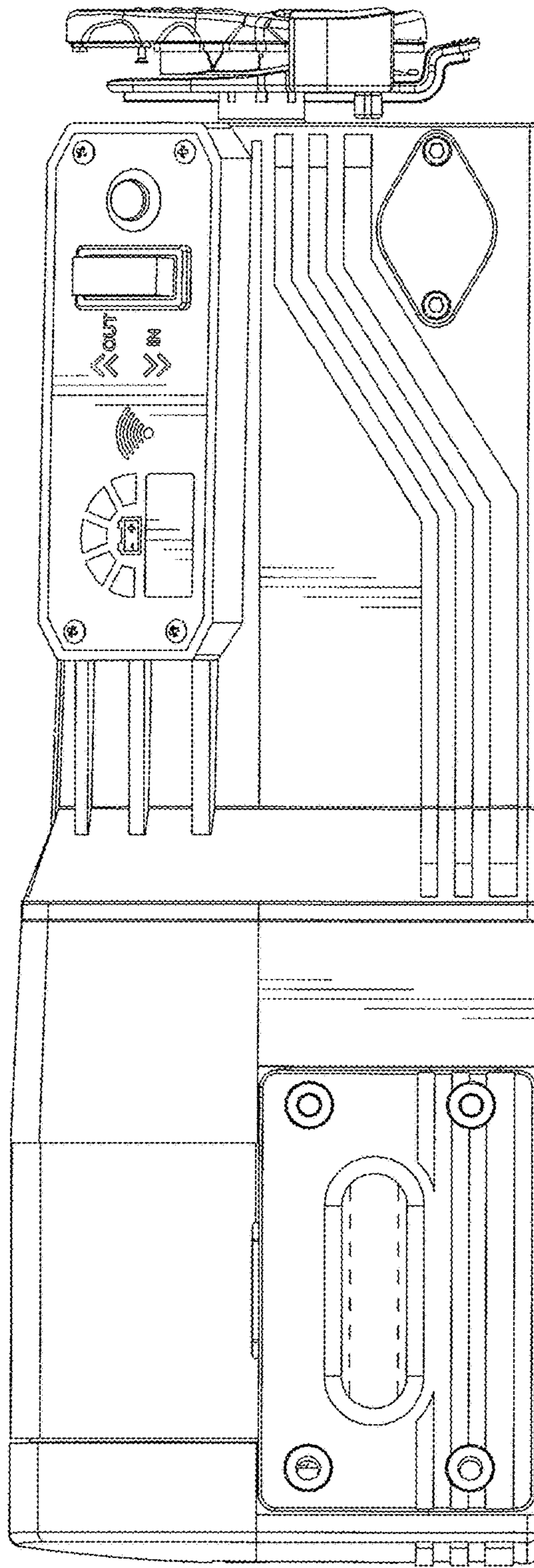


FIG. 2

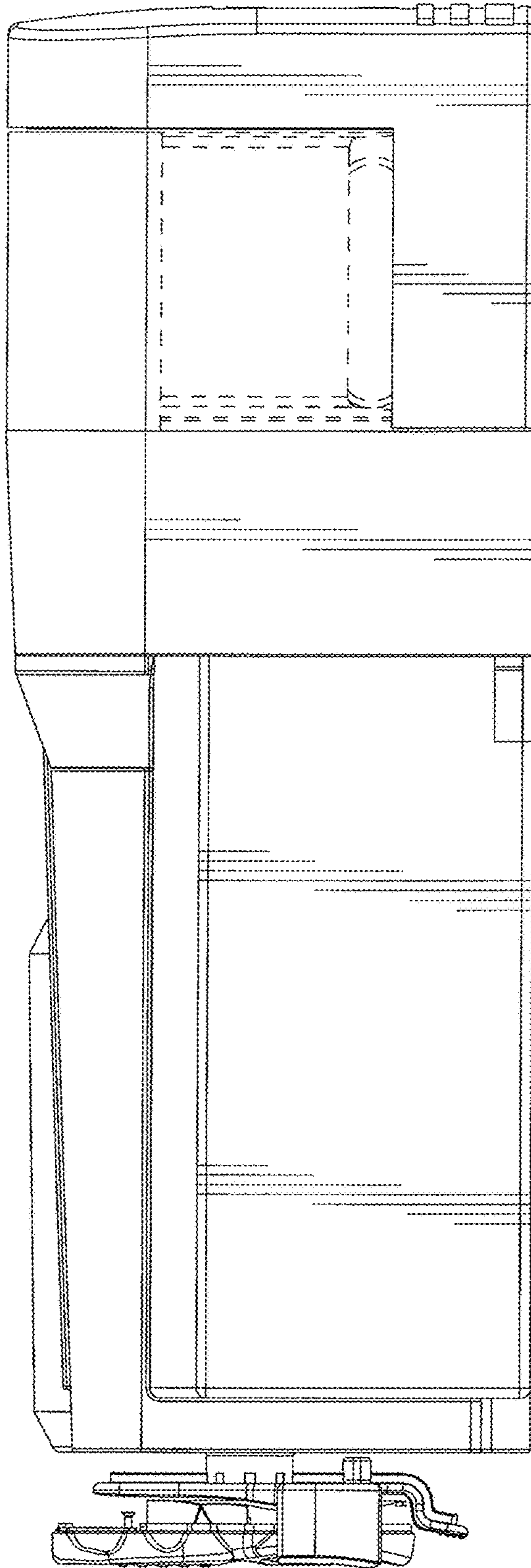


FIG. 3

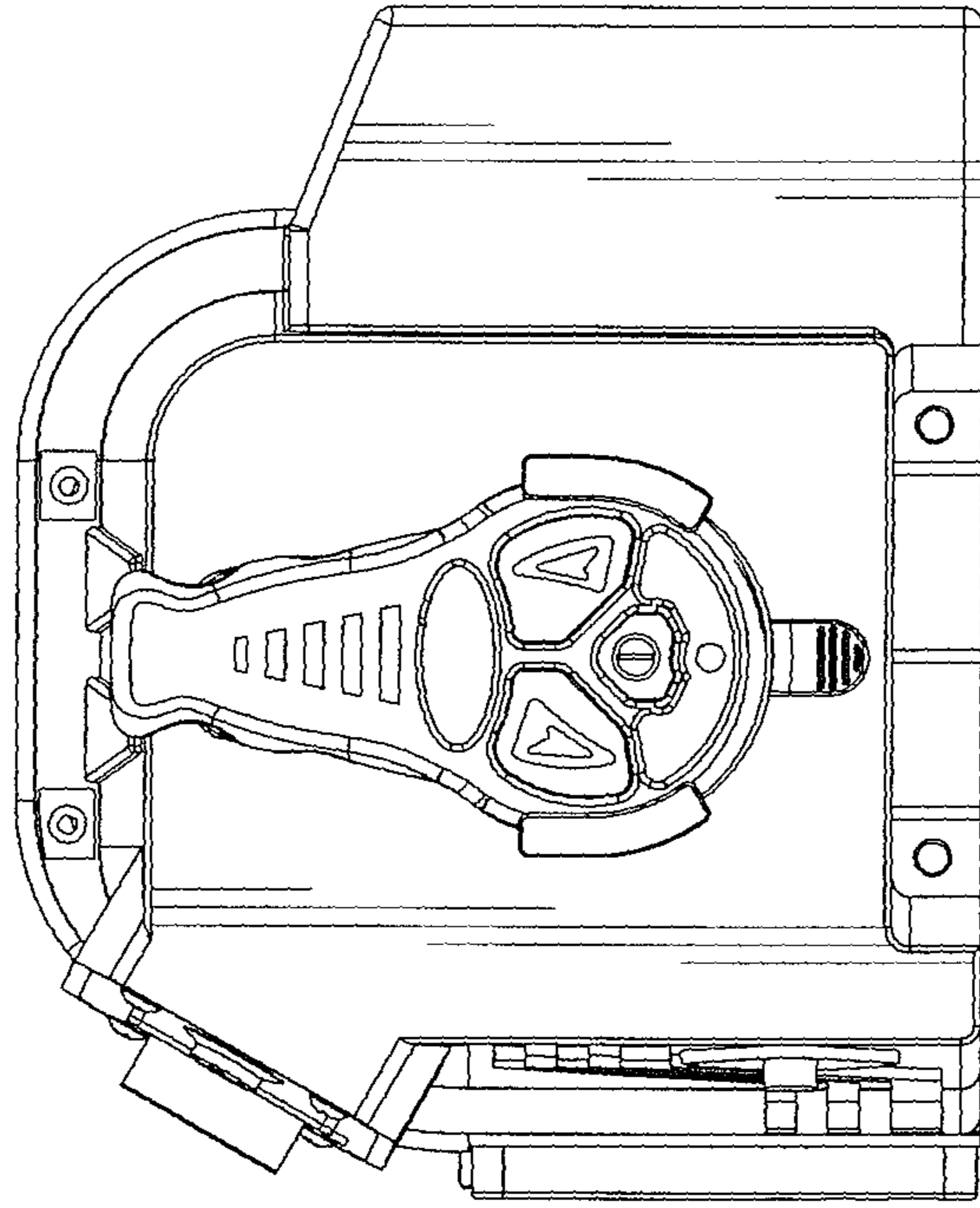


FIG. 4

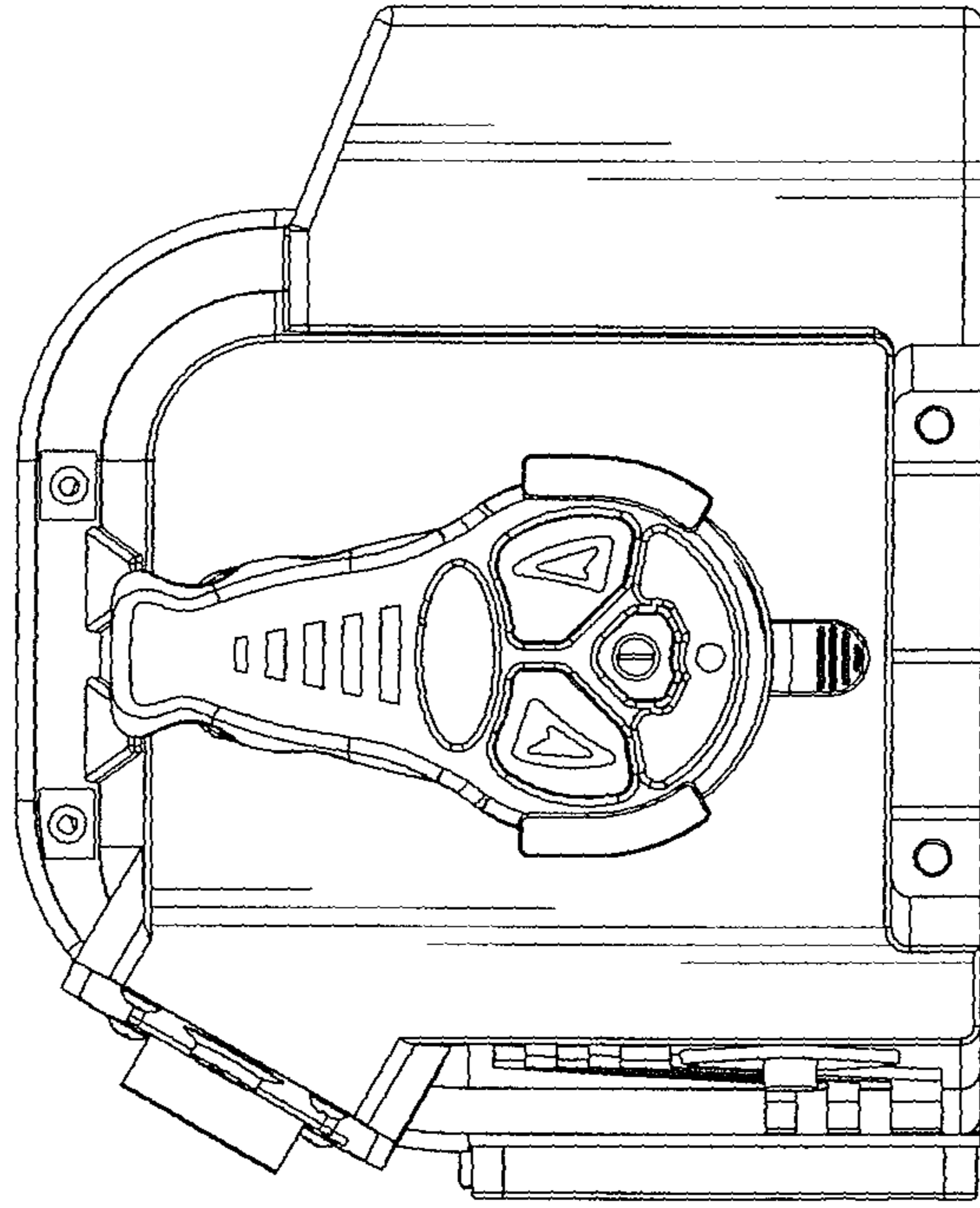


FIG. 5

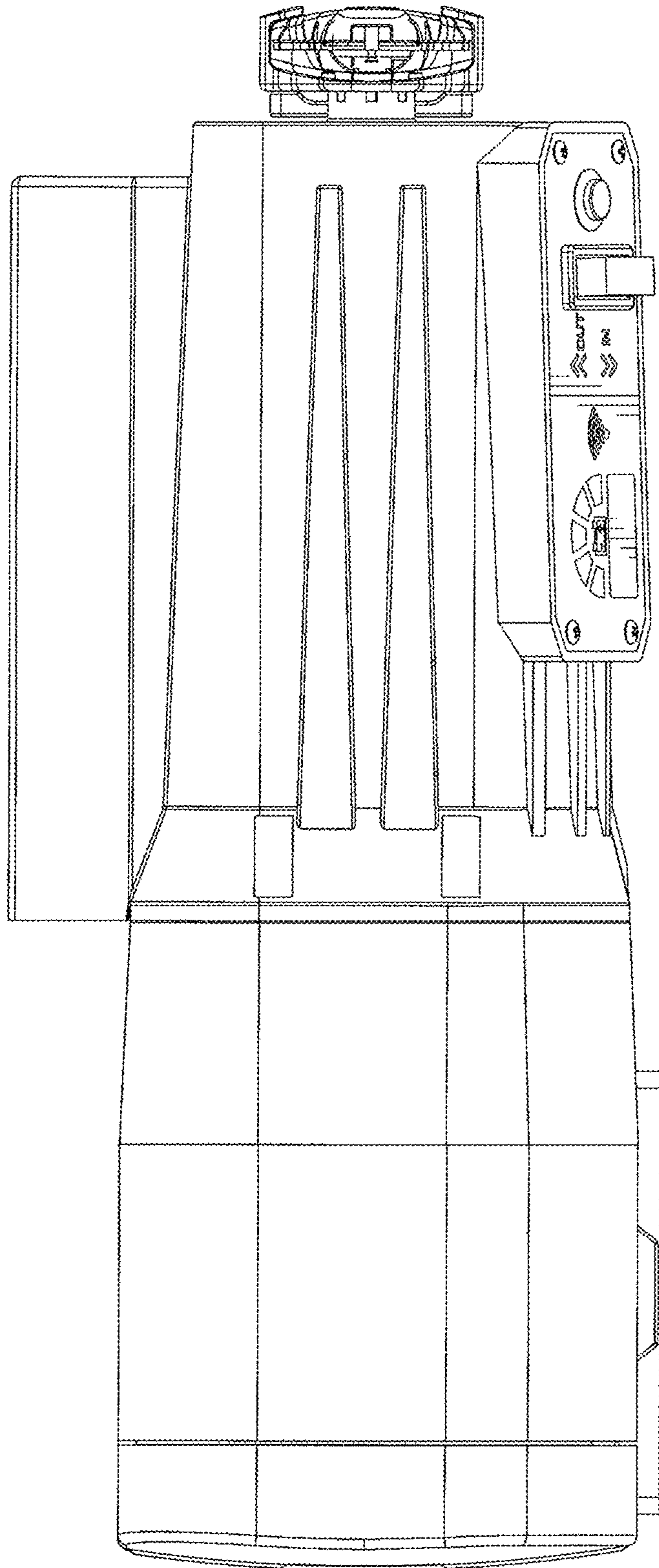


FIG. 6

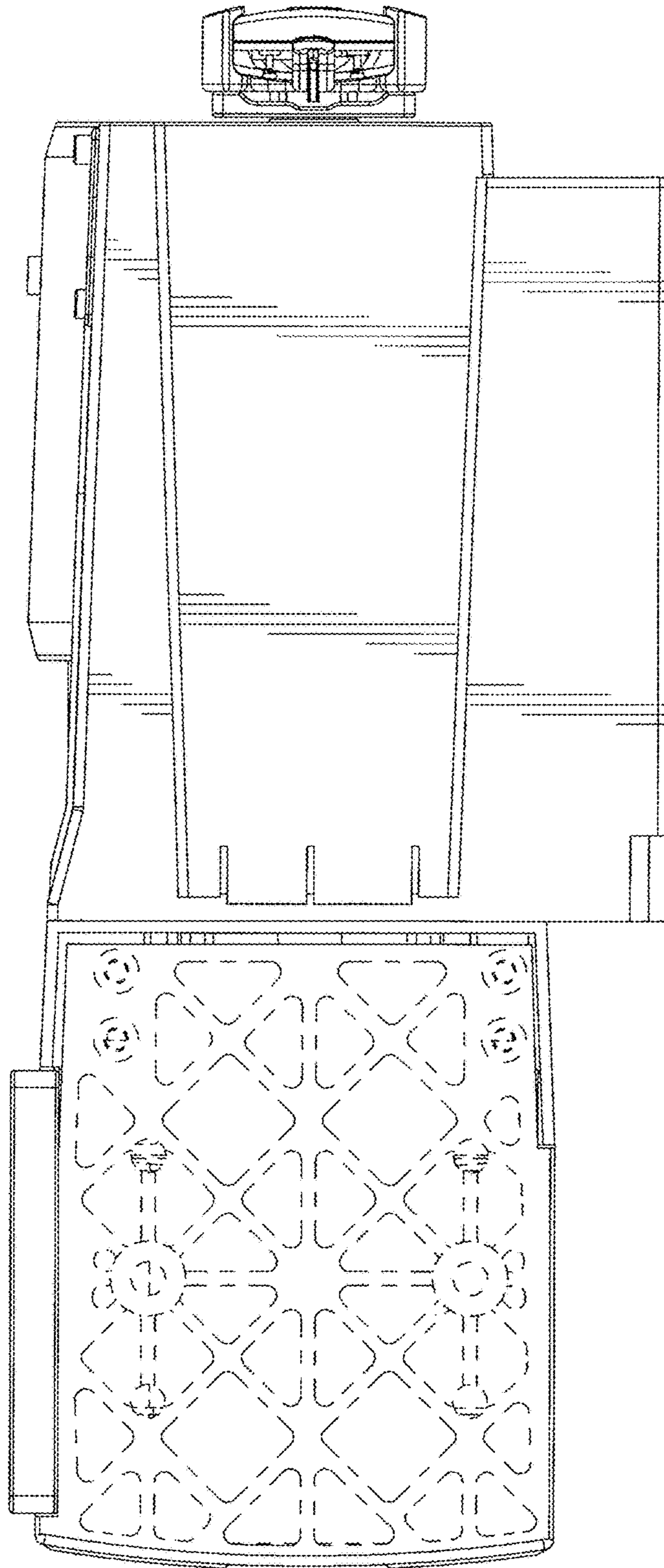


FIG. 7

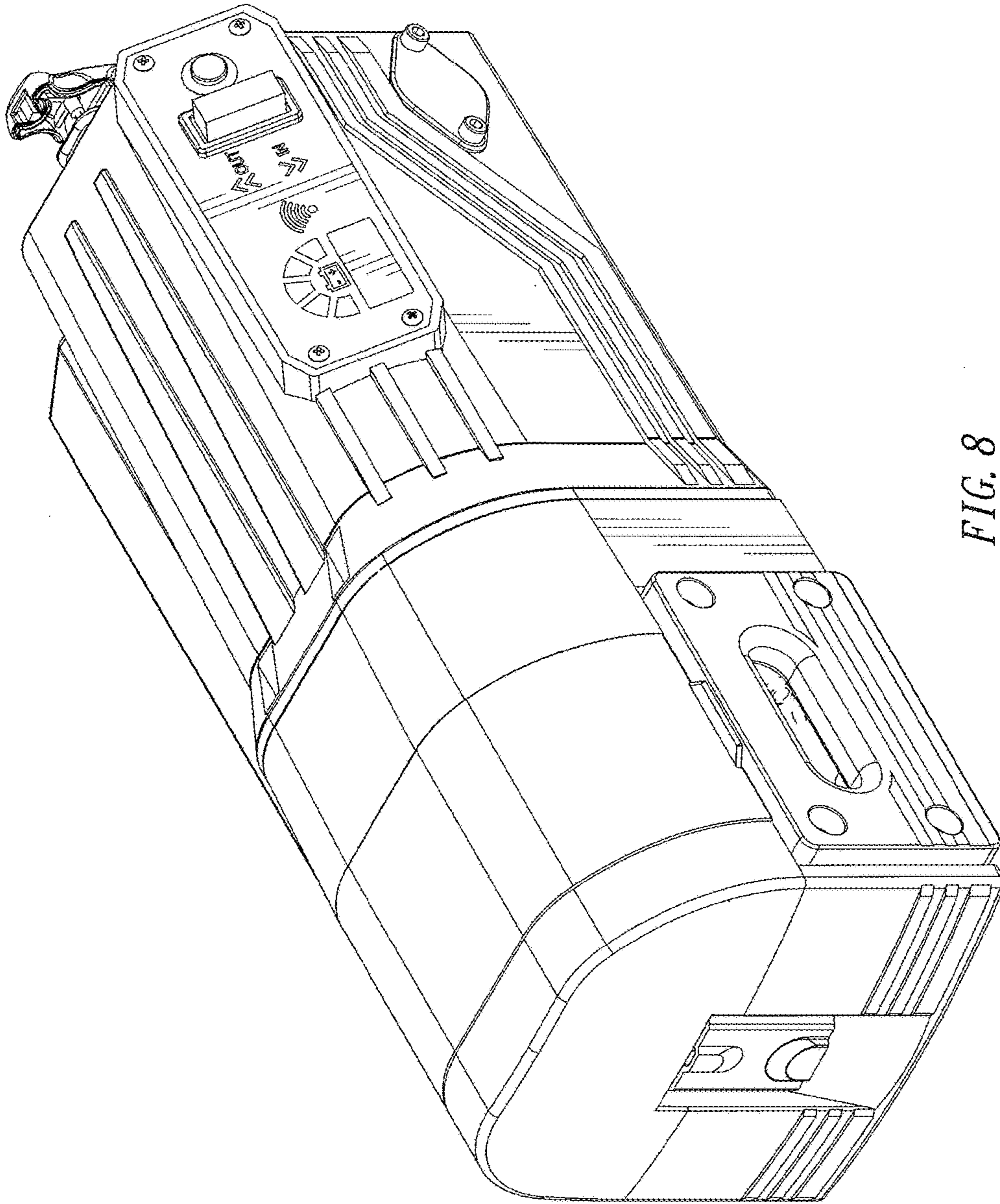


FIG. 8