



US00D839527S

(12) **United States Design Patent**
Goetsch

(10) **Patent No.:** **US D839,527 S**

(45) **Date of Patent:** **** Jan. 29, 2019**

(54) **WINCH HOUSING**

(71) Applicant: **Horizon Global Americas Inc.**,
Plymouth, MI (US)

(72) Inventor: **Gregory T. Goetsch**, Merrill, WI (US)

(73) Assignee: **HORIZON GLOBAL AMERICAS INC.**, Plymouth, MI (US)

(**) Term: **15 Years**

(21) Appl. No.: **29/585,815**

(22) Filed: **Nov. 29, 2016**

(51) **LOC (11) Cl.** **12-05**

(52) **U.S. Cl.**
USPC **D34/33**

(58) **Field of Classification Search**
USPC D34/28, 32, 33; D15/7, 8, 9
CPC ... B66D 1/14; B66D 1/38; B66D 1/28; B66D
1/04; B66D 1/22; B66D 1/39; B66D
1/7405; B66D 1/00; B66D 1/08; B66D
1/26; B66D 1/36; B66D 1/505; B66D
1/7484
See application file for complete search history.

(56) **References Cited**

U.S. PATENT DOCUMENTS

34,063 A	1/1862	Landis
47,885 A	5/1865	Westcott
210,669 A	12/1878	Coates
259,313 A	6/1882	Jeffery
385,717 A	7/1888	Kibbe
747,401 A	12/1903	Foltz
822,861 A	6/1906	Mushatt
1,424,045 A	7/1922	Sprague
1,437,987 A	12/1922	Miller
1,453,559 A	5/1923	Webb
1,499,474 A	7/1924	Price
1,547,963 A	7/1925	Seifert
1,806,606 A	5/1931	Booth

1,936,642 A	11/1933	Ramsey
2,126,251 A	8/1938	Gaetke
2,162,173 A	6/1939	Huntington
2,329,943 A	9/1943	Robins
2,495,811 A	1/1950	Hollmann
2,713,366 A	7/1955	Kennedy

(Continued)

FOREIGN PATENT DOCUMENTS

CN	2211440 Y	11/1995
CN	201046897 Y	4/2008

(Continued)

OTHER PUBLICATIONS

International Search Report and the Written Opinion, PCT/US11/62869, Cequent Performance Products, Inc., dated Jun. 7, 2012.

(Continued)

Primary Examiner — Cynthia Ramirez

(74) *Attorney, Agent, or Firm* — McDonald Hopkins LLC

(57) **CLAIM**

The ornamental design for a winch housing, as shown and described.

DESCRIPTION

FIG. 1 is a perspective view of a winch housing showing my new design;

FIG. 2 is a front view thereof;

FIG. 3 is a rear view thereof;

FIG. 4 is a first side view thereof;

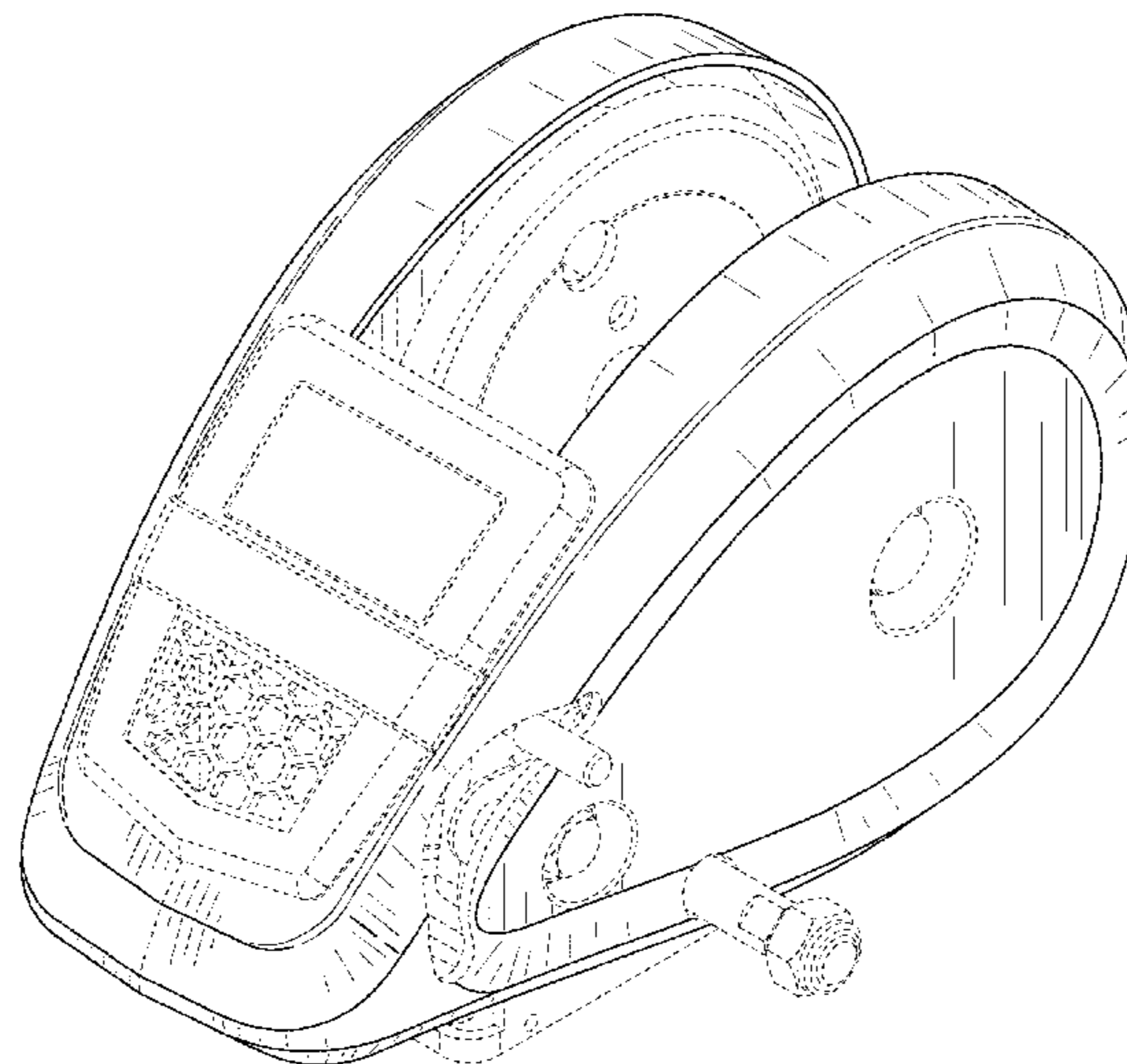
FIG. 5 is a second side view thereof;

FIG. 6 is a top view thereof; and,

FIG. 7 is a bottom view thereof.

The features shown in broken lines in the drawing figures depict environmental subject matter only and form no part of the claimed design.

1 Claim, 7 Drawing Sheets



(56)

References Cited

U.S. PATENT DOCUMENTS

2,926,867 A 3/1960 Nardone
 2,930,585 A 3/1960 Reeves
 3,047,114 A 7/1962 Stevens
 3,069,038 A 12/1962 Ahlbin
 3,134,575 A 5/1964 Walter
 3,159,368 A 12/1964 Ahlbin et al.
 3,222,742 A * 12/1965 Persiaux B66D 3/02
 24/134 N
 3,326,398 A 6/1967 Reed
 3,375,993 A 4/1968 Hayes
 3,485,478 A * 12/1969 Desplats B66D 3/02
 24/134 N
 3,497,050 A 2/1970 Landgraf
 3,520,515 A 7/1970 Pomagalski et al.
 3,582,011 A 6/1971 Murray
 3,606,193 A 9/1971 Allred
 3,785,677 A 1/1974 Calkins
 3,802,641 A 4/1974 Saito
 3,900,214 A 8/1975 Brockelsby
 3,910,558 A 10/1975 Brucker et al.
 3,939,729 A 2/1976 Brockelsby
 4,106,754 A 8/1978 Kucher
 4,131,305 A 12/1978 Lopata
 4,215,850 A 8/1980 Haase et al.
 4,268,012 A 5/1981 Ruehle et al.
 4,320,672 A 3/1982 Segawa
 4,432,507 A 2/1984 Rietsch et al.
 4,456,227 A 6/1984 Notenboom
 4,463,965 A 8/1984 Lawson
 D278,754 S 5/1985 Andersson
 4,552,340 A 11/1985 Sheppard
 4,566,674 A 1/1986 Ebey et al.
 4,582,298 A 4/1986 Boome et al.
 4,623,104 A 11/1986 Mori
 4,674,355 A 6/1987 Klein
 4,687,219 A 8/1987 Rendzio
 D298,078 S 10/1988 Stoker
 4,802,685 A 2/1989 Godbersen
 4,820,111 A 4/1989 Godbersen
 4,884,784 A 12/1989 Nix et al.
 D309,969 S 8/1990 Tamura
 4,967,976 A 11/1990 Kawai et al.
 4,986,571 A 1/1991 Godbersen
 5,011,004 A 4/1991 D'Amato
 5,064,336 A 11/1991 Godbersen
 5,076,603 A 12/1991 Godbersen
 5,158,032 A 10/1992 Pitt
 5,251,877 A 10/1993 Rempinski et al.
 5,255,573 A 10/1993 Estabrook
 5,273,391 A 12/1993 White
 5,320,398 A 6/1994 Popp et al.
 5,346,153 A 9/1994 Ebey
 5,368,280 A 11/1994 Ng
 5,374,035 A 12/1994 Santos
 5,392,109 A 2/1995 Acquaviva
 5,415,377 A 5/1995 Britt
 5,417,447 A 5/1995 Godbersen
 D364,027 S * 11/1995 Hung D34/33
 5,509,639 A 4/1996 Ellis
 5,573,091 A 12/1996 Hung
 5,593,139 A 1/1997 Julian
 D407,883 S * 4/1999 Okerlund D34/33
 5,947,450 A 9/1999 Grapes
 6,017,173 A 1/2000 Anthony
 6,021,692 A 2/2000 Norfolk et al.
 6,068,210 A 5/2000 Risa
 D427,408 S * 6/2000 Daniels D34/33
 6,116,580 A 9/2000 Hull
 D438,358 S * 2/2001 Huang D34/33
 6,234,509 B1 5/2001 Lara
 6,431,525 B1 8/2002 Roll
 6,471,191 B1 10/2002 Rotzler et al.
 6,505,849 B1 1/2003 Ebey
 D473,992 S 4/2003 Hodge
 6,883,784 B1 4/2005 Sloneker

6,916,267 B2 7/2005 Jones
 6,971,278 B2 12/2005 Robbins et al.
 7,000,904 B2 2/2006 Huang
 7,017,887 B1 3/2006 Verakis
 D523,208 S 6/2006 Inglis
 7,121,599 B2 10/2006 Demar et al.
 7,125,032 B2 10/2006 Hopper
 D532,577 S 11/2006 Elliott
 7,159,852 B2 1/2007 Dow et al.
 7,219,914 B2 5/2007 Huddleston
 D545,524 S 6/2007 Eriksson
 7,226,039 B2 6/2007 Sauner et al.
 7,237,788 B1 7/2007 Norbits
 D550,923 S 9/2007 Huang
 D555,874 S 11/2007 Elliott
 D556,420 S 11/2007 Trihey
 7,374,379 B2 5/2008 Booher
 7,377,486 B2 5/2008 Winter et al.
 D571,973 S * 6/2008 Burns D34/33
 D573,775 S * 7/2008 Burns D34/33
 7,484,713 B1 2/2009 Young
 7,513,452 B2 4/2009 Ruan
 D591,923 S 5/2009 Freitas
 7,543,800 B2 6/2009 Grapes et al.
 D595,921 S * 7/2009 Walstrom D34/33
 D596,369 S * 7/2009 Walstrom D34/33
 D597,105 S 7/2009 Geisler
 7,556,240 B1 7/2009 Bauer et al.
 7,556,241 B2 7/2009 Geagan
 D599,524 S 9/2009 Averill
 7,686,282 B2 3/2010 Amoses et al.
 7,766,271 B1 8/2010 Confoey
 7,789,375 B2 9/2010 Ying
 7,793,919 B2 9/2010 Guyard
 7,806,386 B2 10/2010 Yang et al.
 D636,143 S 4/2011 Nagase
 D640,442 S 6/2011 Borntreger
 7,967,278 B2 6/2011 Anderson et al.
 D656,290 S 3/2012 Anderson
 D657,931 S 4/2012 Anderson
 8,231,109 B2 7/2012 Peng
 8,267,379 B2 9/2012 Yang
 D670,473 S 11/2012 Anderson
 D675,395 S 1/2013 Anderson
 8,459,615 B2 6/2013 Anderson
 8,579,259 B2 11/2013 Okerlund
 8,657,260 B2 2/2014 Anderson
 8,720,865 B2 5/2014 Anderson et al.
 D721,214 S * 1/2015 Trochum D34/33
 D741,039 S * 10/2015 Huang D34/33
 9,206,022 B2 12/2015 Burneister
 D748,446 S * 2/2016 Fretz D34/33
 D775,448 S * 12/2016 Fretz D34/33
 D795,522 S * 8/2017 Rogers D34/33
 9,758,357 B2 9/2017 Anderson
 2002/0104918 A1 8/2002 Zacharias
 2007/0257243 A1 11/2007 Cofer
 2008/0001131 A1 1/2008 Murphy
 2008/0164448 A1 7/2008 Duvall
 2008/0185564 A1 8/2008 LaFreniere
 2009/0114892 A1 5/2009 Lesko
 2010/0263476 A1 10/2010 Peschmann
 2011/0278521 A1 11/2011 Okerlund
 2012/0298938 A1 11/2012 Anderson et al.

FOREIGN PATENT DOCUMENTS

CN 101381060 A 3/2009
 DE 1184478 12/1964
 DE 3214340 A1 10/1983
 EP 0744374 11/1996
 GB 2431631 A 5/2007
 JP 61-041652 Y2 11/1986
 NZ 228633 8/1991
 WO 8908602 A1 9/1989
 WO WO2004002777 1/2004

(56)

References Cited

FOREIGN PATENT DOCUMENTS

WO	WO2007097649	8/2007
WO	WO2012/075270	6/2012

OTHER PUBLICATIONS

International Preliminary Report on Patentability, PCT/US2009/056696, Cequent Performance Products, Inc., dated Mar. 24, 2011.
New Zealand Examination Report for Application No. 611475, Cequent Performance Products, Inc., dated Nov. 26, 2013.
International Search Report and the Written Opinion, PCT/US09/56696, Cequent Trailer Products, dated Jan. 20, 2010.

* cited by examiner

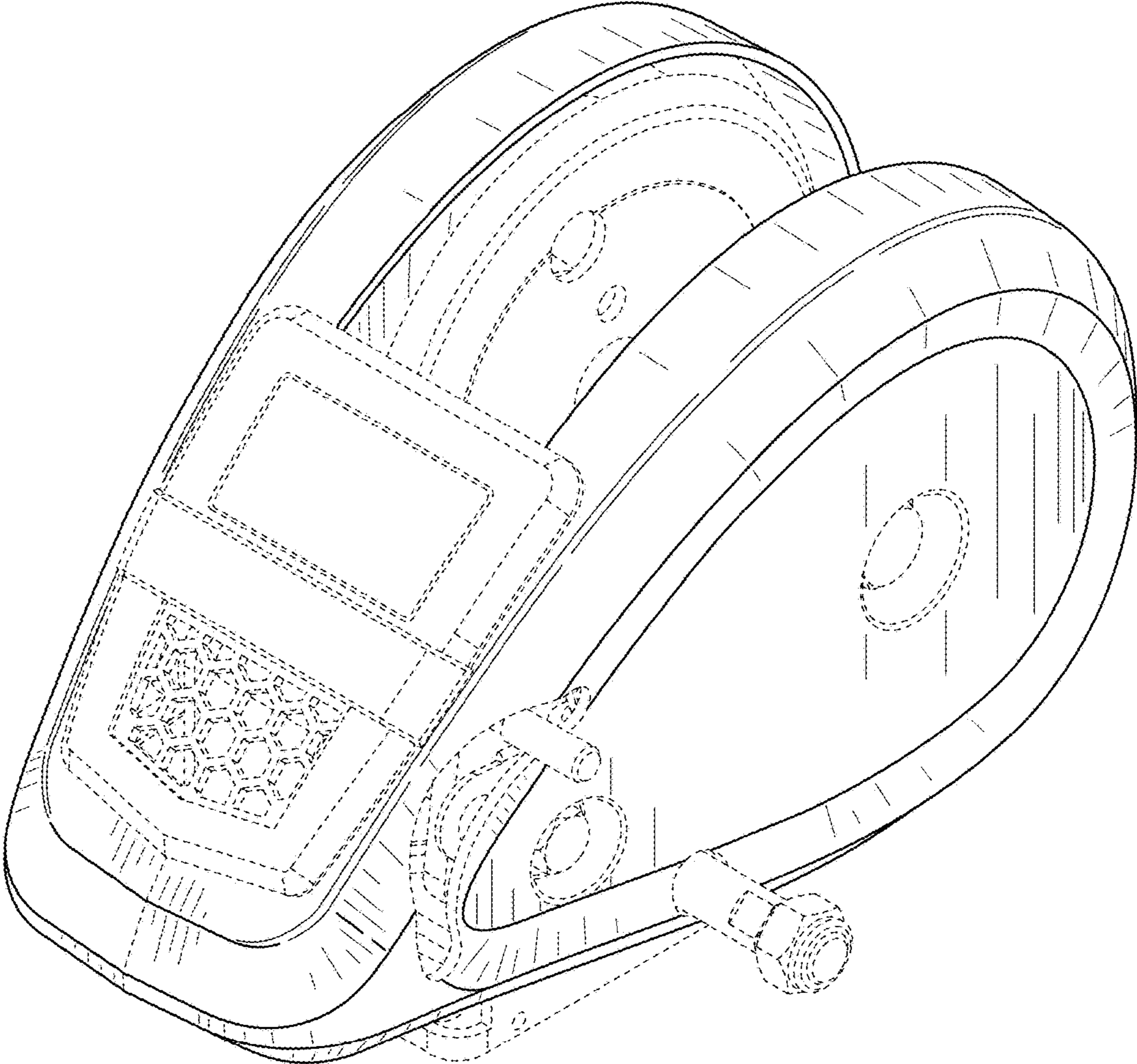


FIG. 1

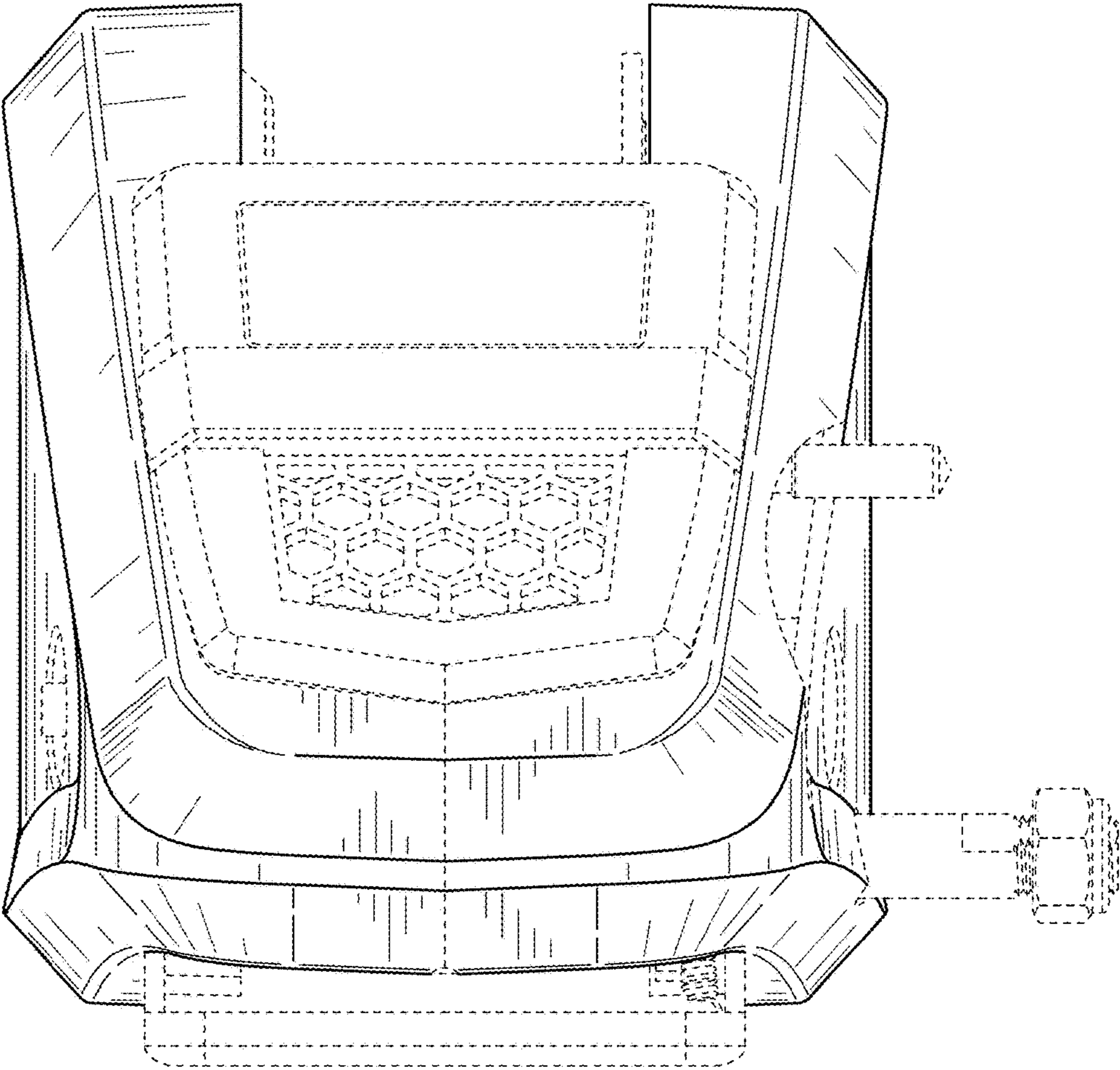


FIG. 2

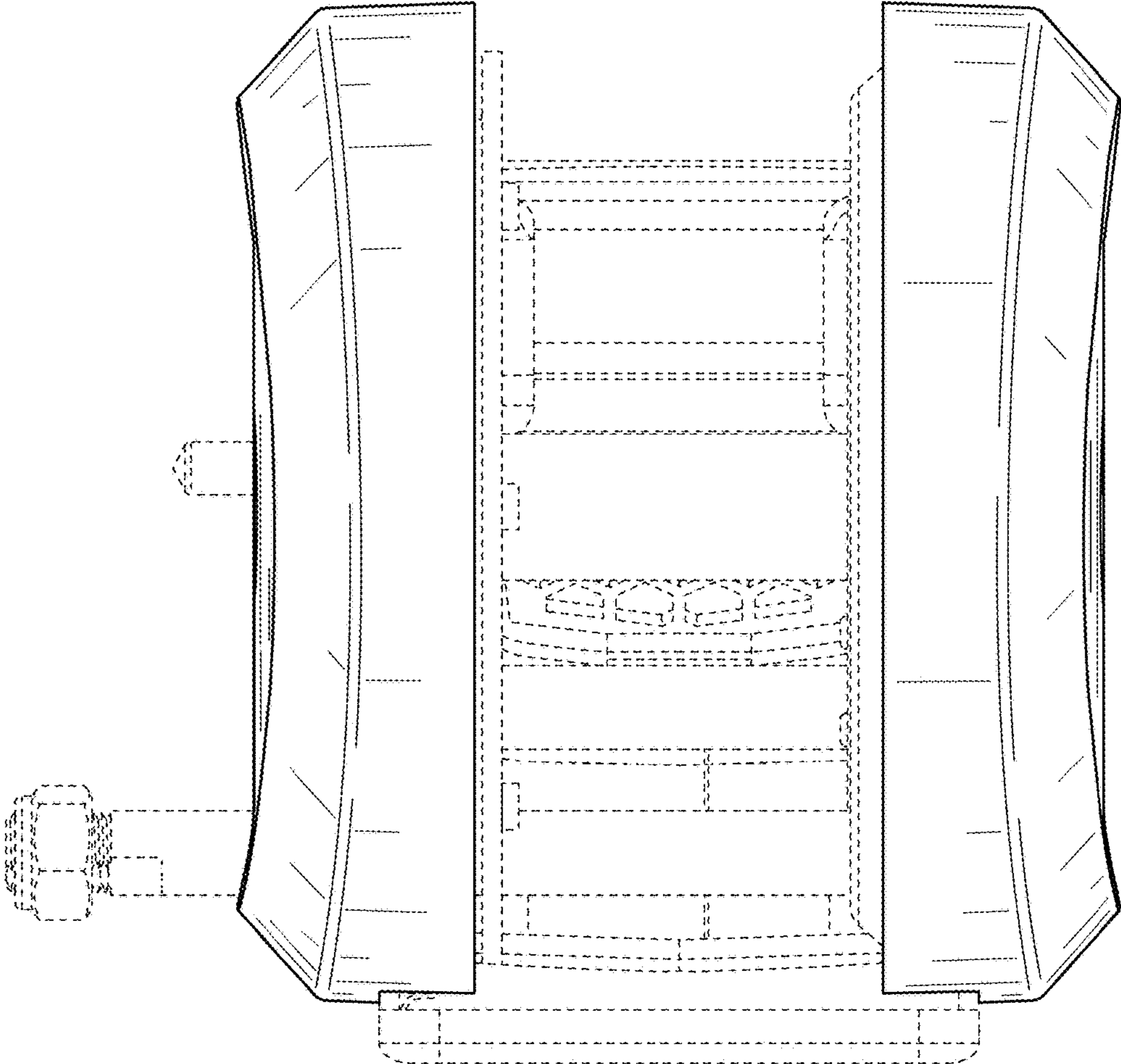


FIG. 3

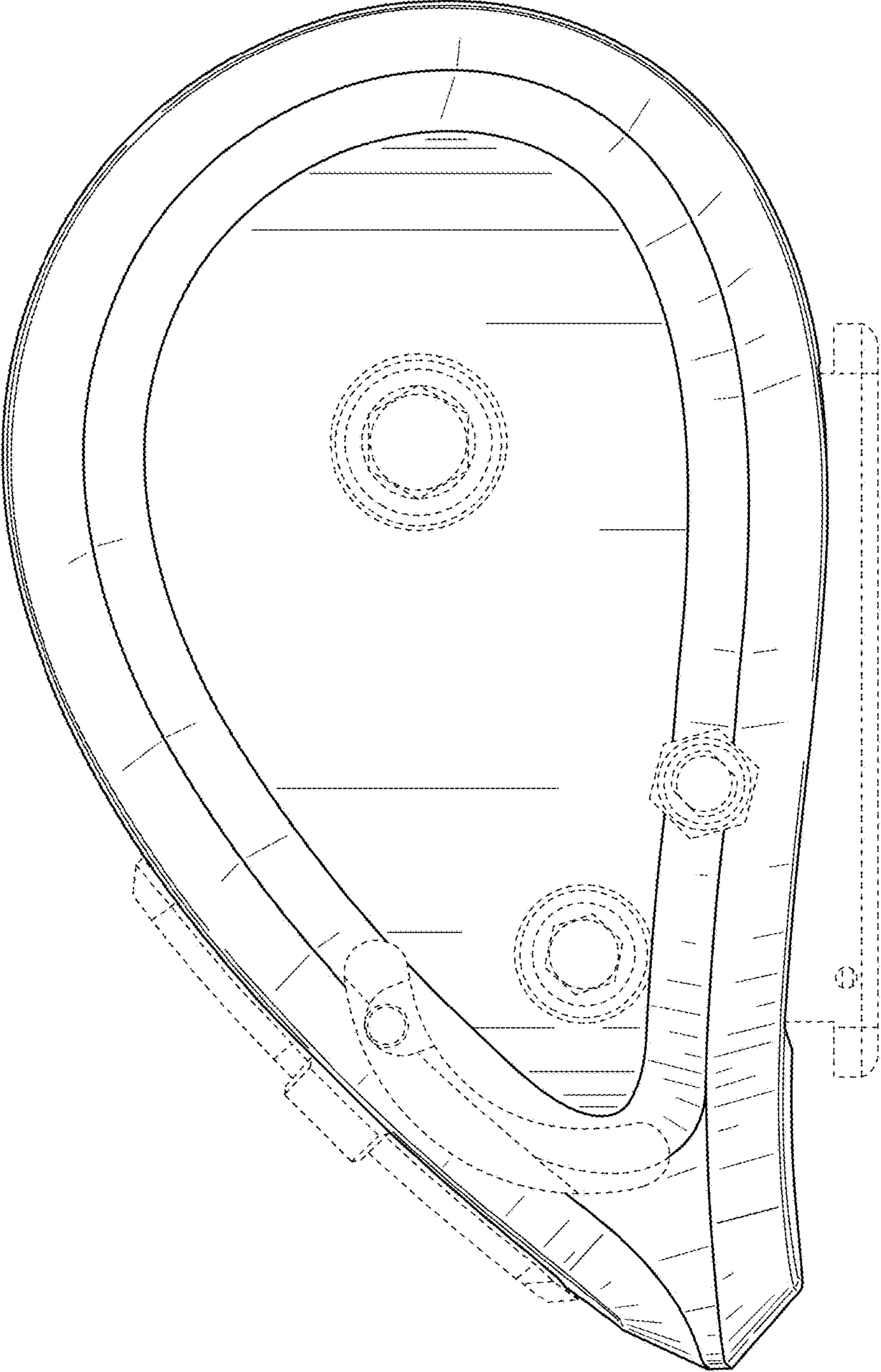


FIG. 4

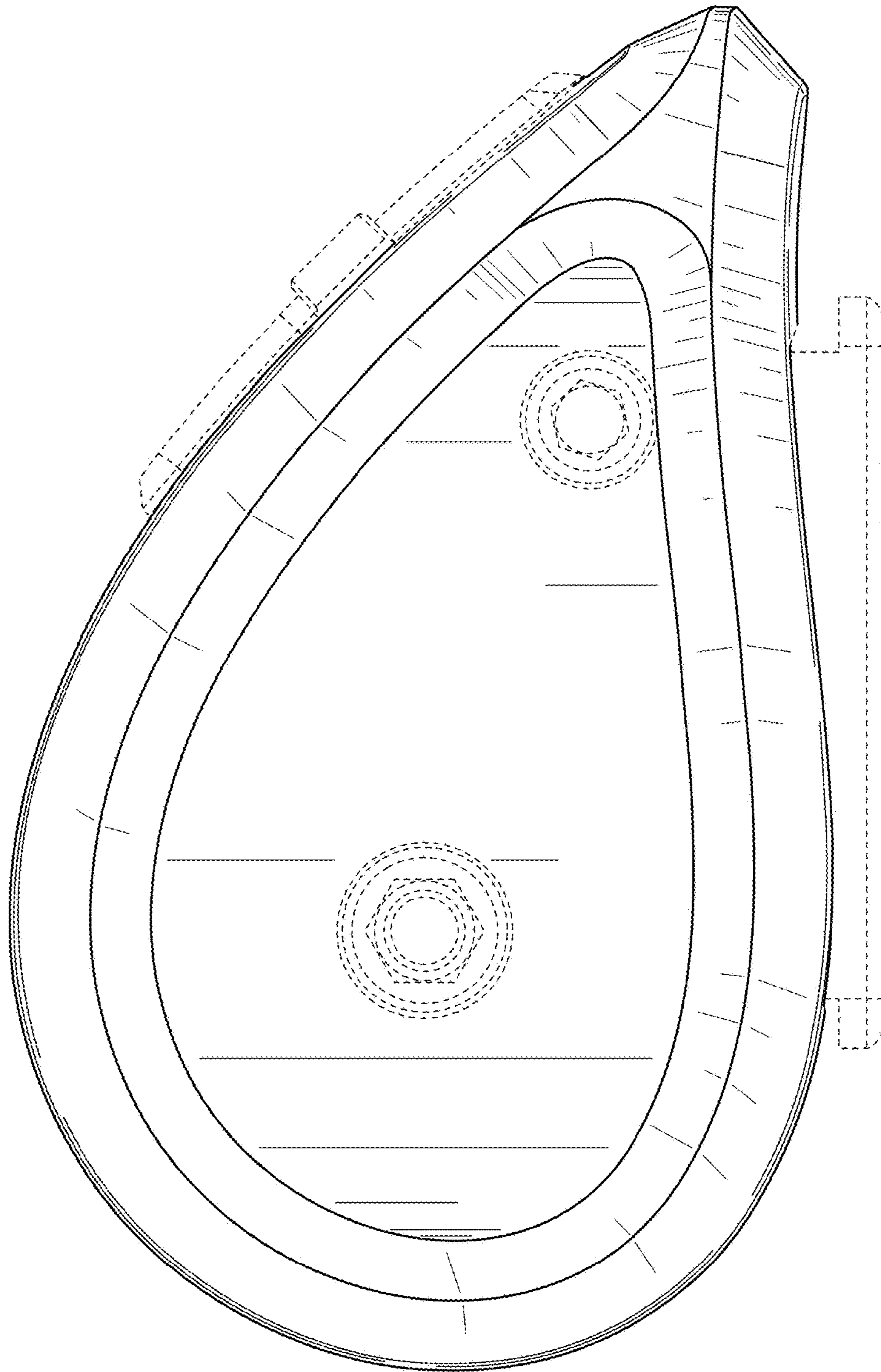


FIG. 5

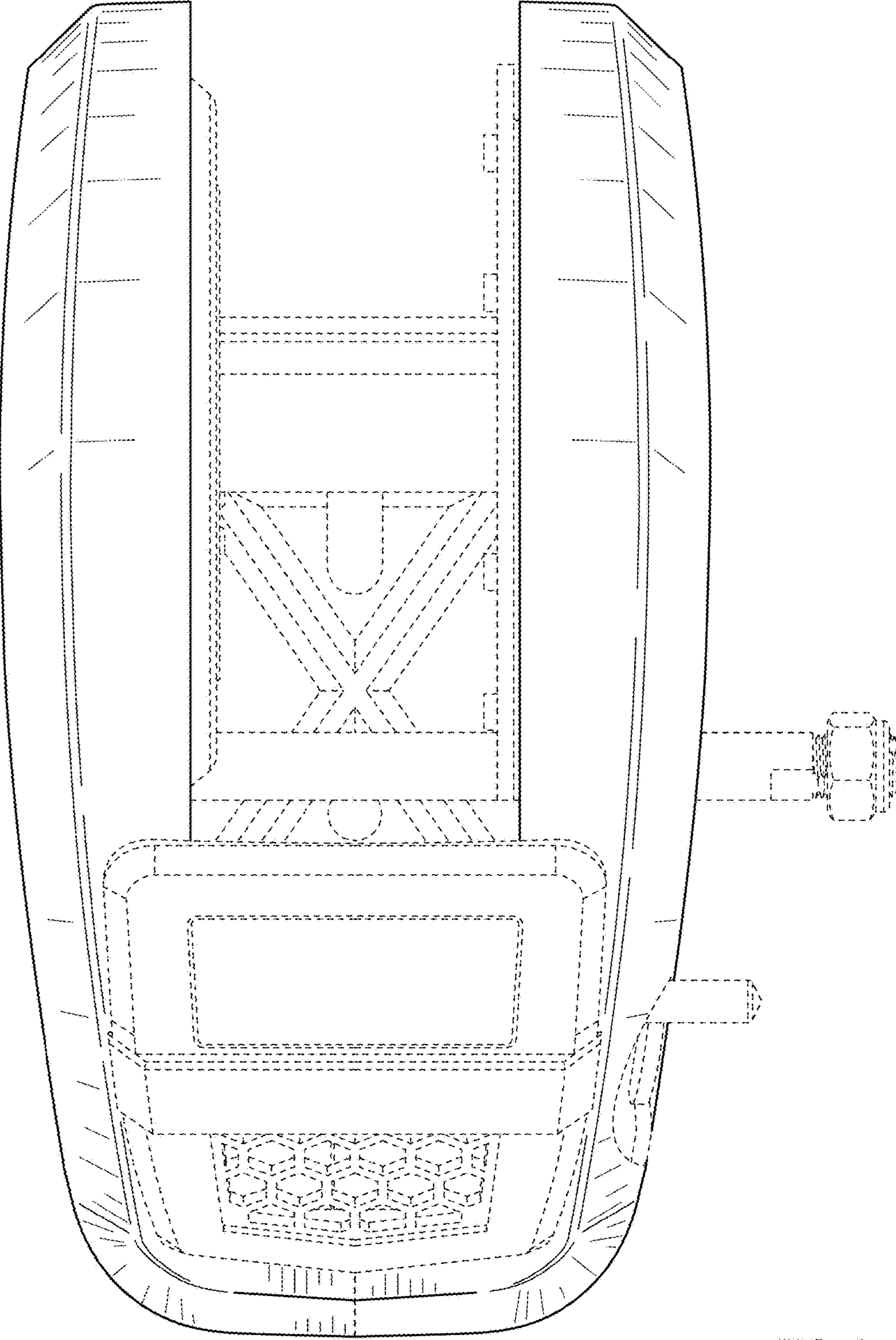


FIG. 6

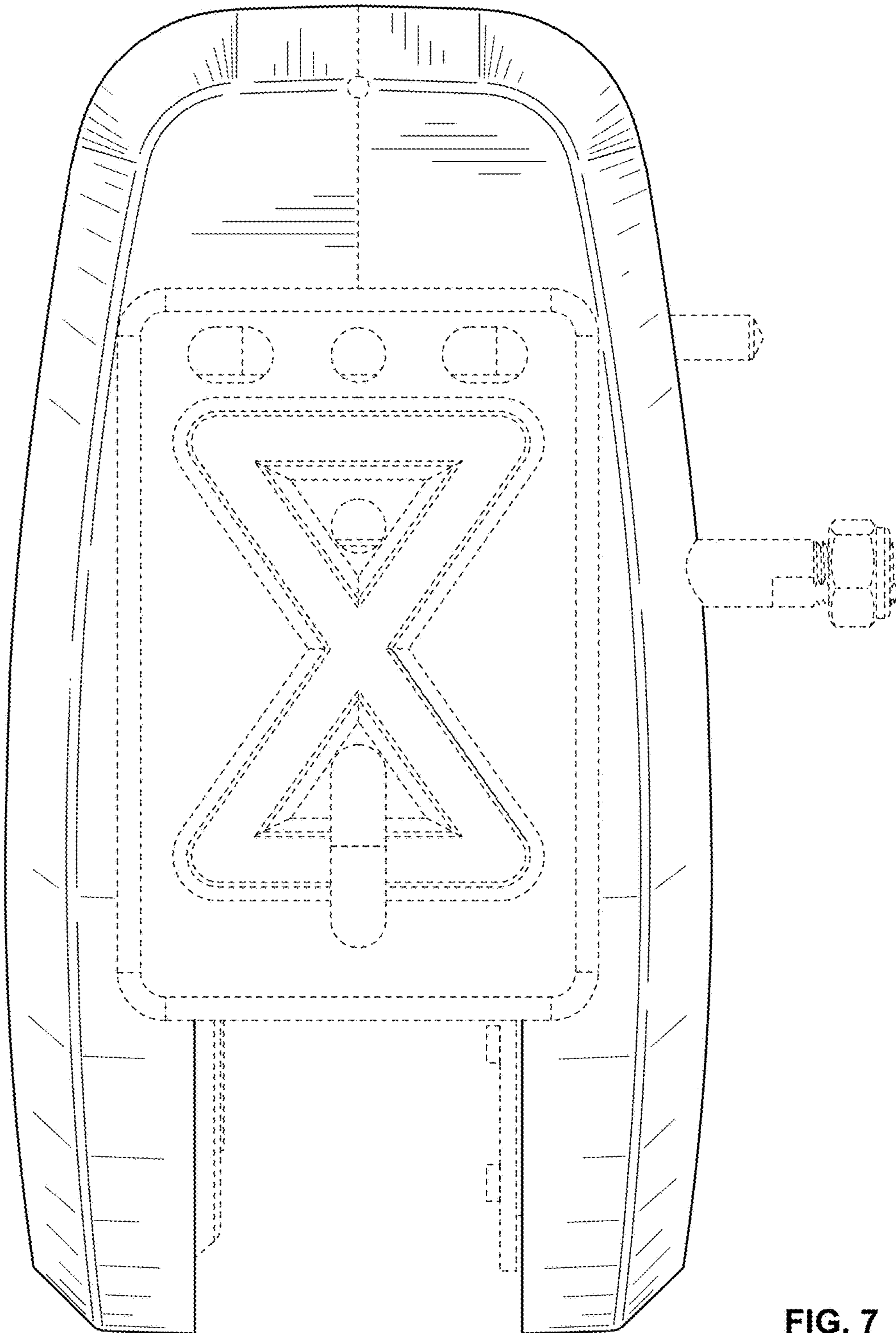


FIG. 7