



US00D839525S

(12) **United States Design Patent**
Magnusson

(10) **Patent No.:** **US D839,525 S**
(45) **Date of Patent:** **** Jan. 29, 2019**

- (54) **SHOPPING CART**
- (71) Applicant: **Advance Carts Inc.**, Boca Raton, FL (US)
- (72) Inventor: **Marcus Magnusson**, Boca Raton, FL (US)
- (73) Assignee: **Advance Carts Inc.**, Boca Raton, FL (US)
- (**) Term: **15 Years**
- (21) Appl. No.: **29/559,369**
- (22) Filed: **Mar. 28, 2016**
- (51) **LOC (11) Cl.** **12-02**
- (52) **U.S. Cl.**
USPC **D34/21**
- (58) **Field of Classification Search**
USPC D34/12-27
CPC B62B 3/14; B62B 3/1496; B62B 3/1412;
B62B 3/00; B62B 2501/067; B62B 5/06
See application file for complete search history.

- 5,494,306 A 2/1996 Adamson
- 5,505,472 A 4/1996 Trubiano
- 5,553,876 A 9/1996 Trubiano
- D377,255 S 1/1997 Rehrig
- 5,702,114 A 12/1997 Downing
- 5,791,666 A 8/1998 Mainard
- D400,679 S 11/1998 Kern
- 5,865,448 A 2/1999 Kern
- 5,947,313 A 9/1999 Kern
- D431,704 S 10/2000 Perez
- 6,126,181 A 10/2000 Ondrasik
- D445,230 S 7/2001 Deal
- D463,647 S 9/2002 Deal
- 6,540,240 B2 4/2003 Nadeau
- 6,644,674 B2 11/2003 Simard

(Continued)

Primary Examiner — Cynthia Ramirez
(74) *Attorney, Agent, or Firm* — Murtha Cullina LLP;
Anthony P. Gangemi

(57) **CLAIM**

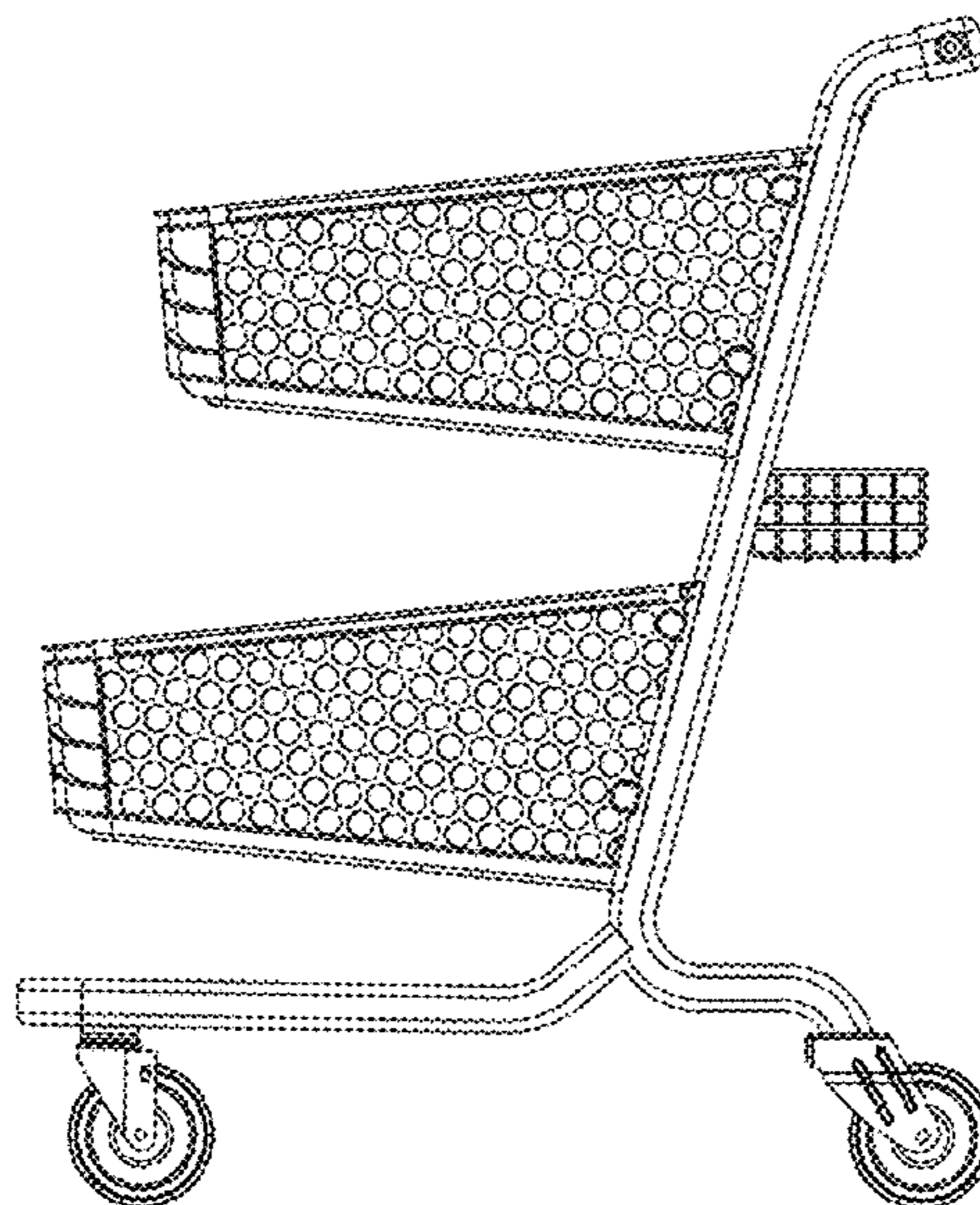
The ornamental design for a shopping cart, as shown and described.

DESCRIPTION

FIG. 1 is a right side view of a shopping cart showing my new design;
FIG. 2 is a left side view of the shopping cart shown in FIG. 1;
FIG. 3 is a front view of the shopping cart shown in FIG. 1;
FIG. 4 is a rear view of the shopping cart shown in FIG. 1;
FIG. 5 is a top view of the shopping cart shown in FIG. 1;
FIG. 6 is a bottom view of the shopping cart shown in FIG. 1;
FIG. 7 is a rear isometric view of the shopping cart shown in FIG. 1; and,
FIG. 8 is a front isometric view of the shopping cart shown in FIG. 1.

1 Claim, 8 Drawing Sheets

- (56) **References Cited**
U.S. PATENT DOCUMENTS
- 3,361,438 A 1/1968 Davis
- 3,645,554 A 2/1972 Von Stein
- D283,264 S 4/1986 Levy-Joseph
- 4,632,411 A 12/1986 Badger
- D288,619 S 3/1987 Trubiano
- D294,419 S 2/1988 Rehrig
- 4,773,175 A 9/1988 Larsen
- 4,850,684 A 7/1989 Inaba
- 5,203,578 A 4/1993 Davidson
- 5,255,930 A 10/1993 Jones
- 5,306,033 A 4/1994 Evans
- D348,549 S 7/1994 Trubiano
- 5,348,323 A 9/1994 Trubiano



(56)

References Cited

U.S. PATENT DOCUMENTS

6,705,623 B2 3/2004 Nadeau
 D493,594 S 7/2004 Prather
 6,761,364 B2 7/2004 Murar
 6,932,363 B2 8/2005 D'Angelo
 7,104,552 B2 9/2006 Swanson
 7,168,711 B2 1/2007 Ondrasik
 D538,501 S 3/2007 Walter
 D550,423 S 9/2007 Splain
 D556,413 S 11/2007 Splain
 7,322,582 B2 1/2008 Prather
 D564,172 S 3/2008 Steinhobel
 D566,372 S 4/2008 Walter
 D580,619 S * 11/2008 Walter D34/21
 D584,023 S 12/2008 Walter
 D633,269 S 2/2011 Walter
 D638,602 S * 5/2011 Walter D34/21
 D639,521 S * 6/2011 Walter D34/21
 D643,175 S 8/2011 Peota
 D644,809 S 9/2011 Walter

D656,288 S * 3/2012 Walter D34/27
 D656,700 S * 3/2012 Walter D34/27
 D658,841 S 5/2012 Walter
 D663,091 S 7/2012 Walter
 D672,111 S * 12/2012 Walter D34/21
 D693,981 S * 11/2013 Walter D34/27
 D700,762 S 3/2014 Walter
 D710,562 S * 8/2014 Stauff D34/27
 D751,264 S 3/2016 Walter
 RE45,961 E 4/2016 Walter
 D756,586 S * 5/2016 Magnusson D34/21
 D763,536 S 8/2016 Walter
 RE46,268 E 1/2017 Walter
 RE46,281 E * 1/2017 Walter D34/27
 D785,271 S * 4/2017 Walter D34/21
 D800,986 S * 10/2017 Magnusson D34/17
 D805,711 S * 12/2017 Magnusson D34/21
 D806,342 S * 12/2017 Magnusson D34/21
 2001/0022436 A1 9/2001 Simard
 2002/0135144 A1 9/2002 Murar
 2003/0197339 A1 10/2003 D'Angelo
 2008/0111328 A1 5/2008 Ryan

* cited by examiner

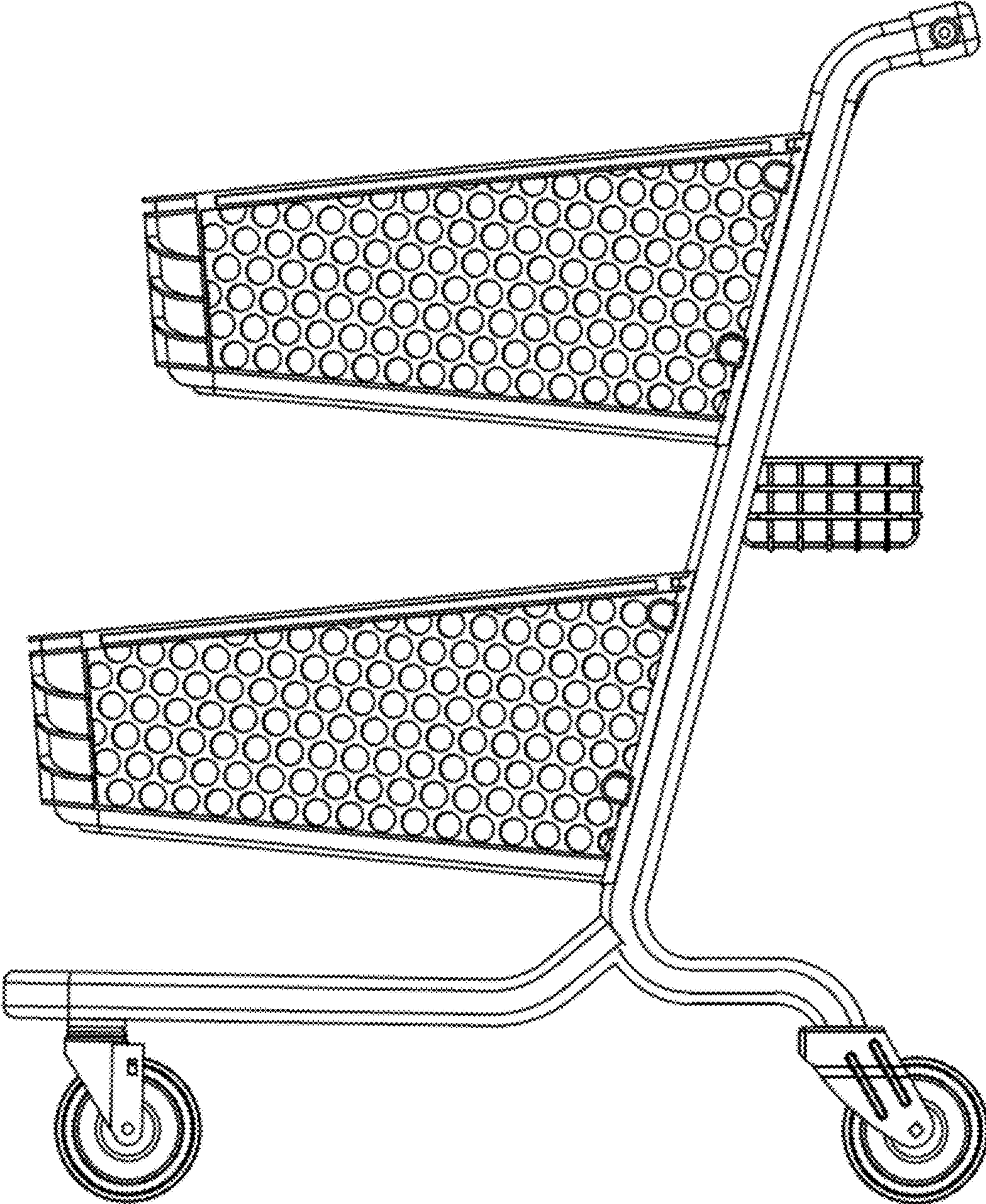


FIG. 1

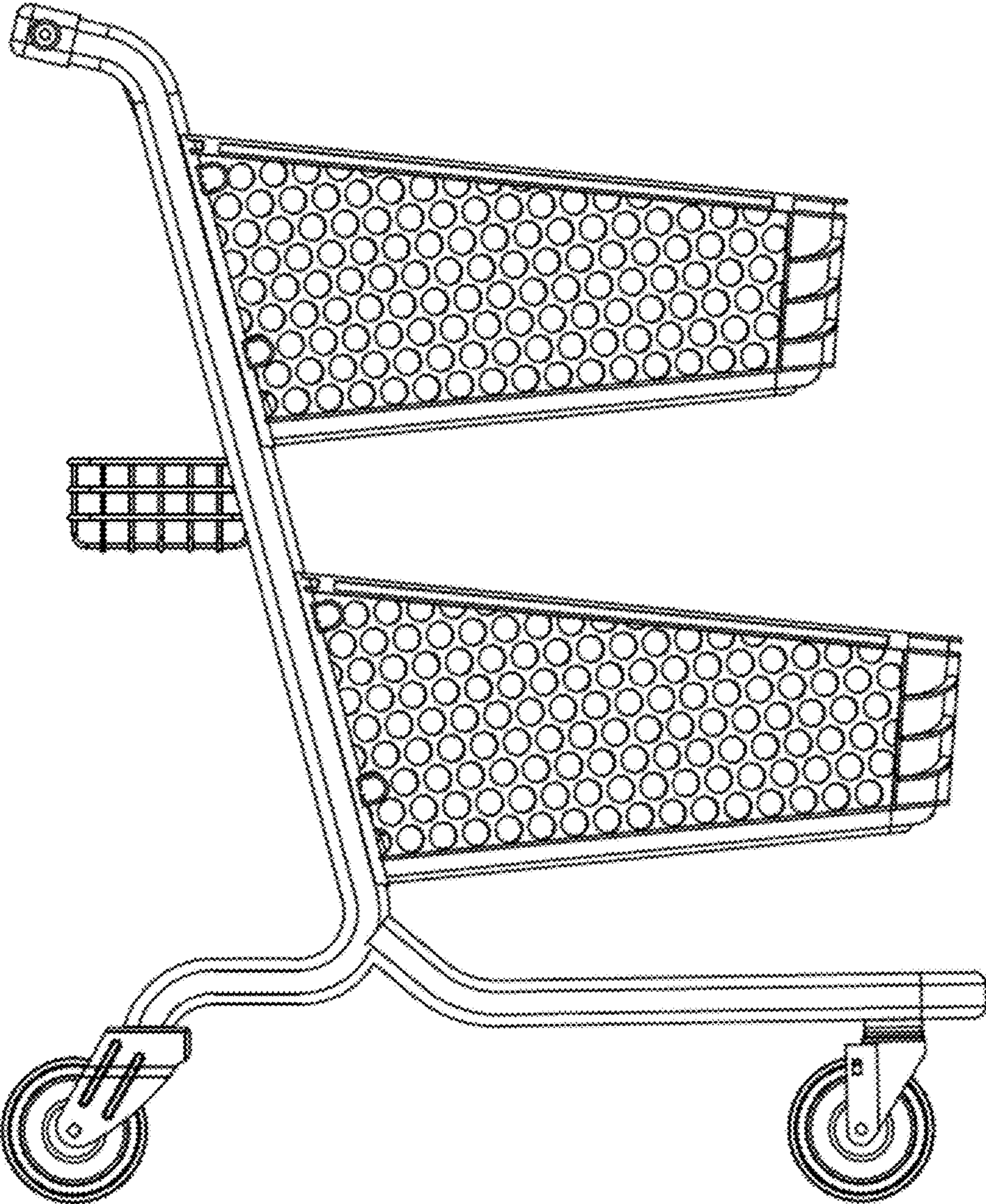


FIG. 2

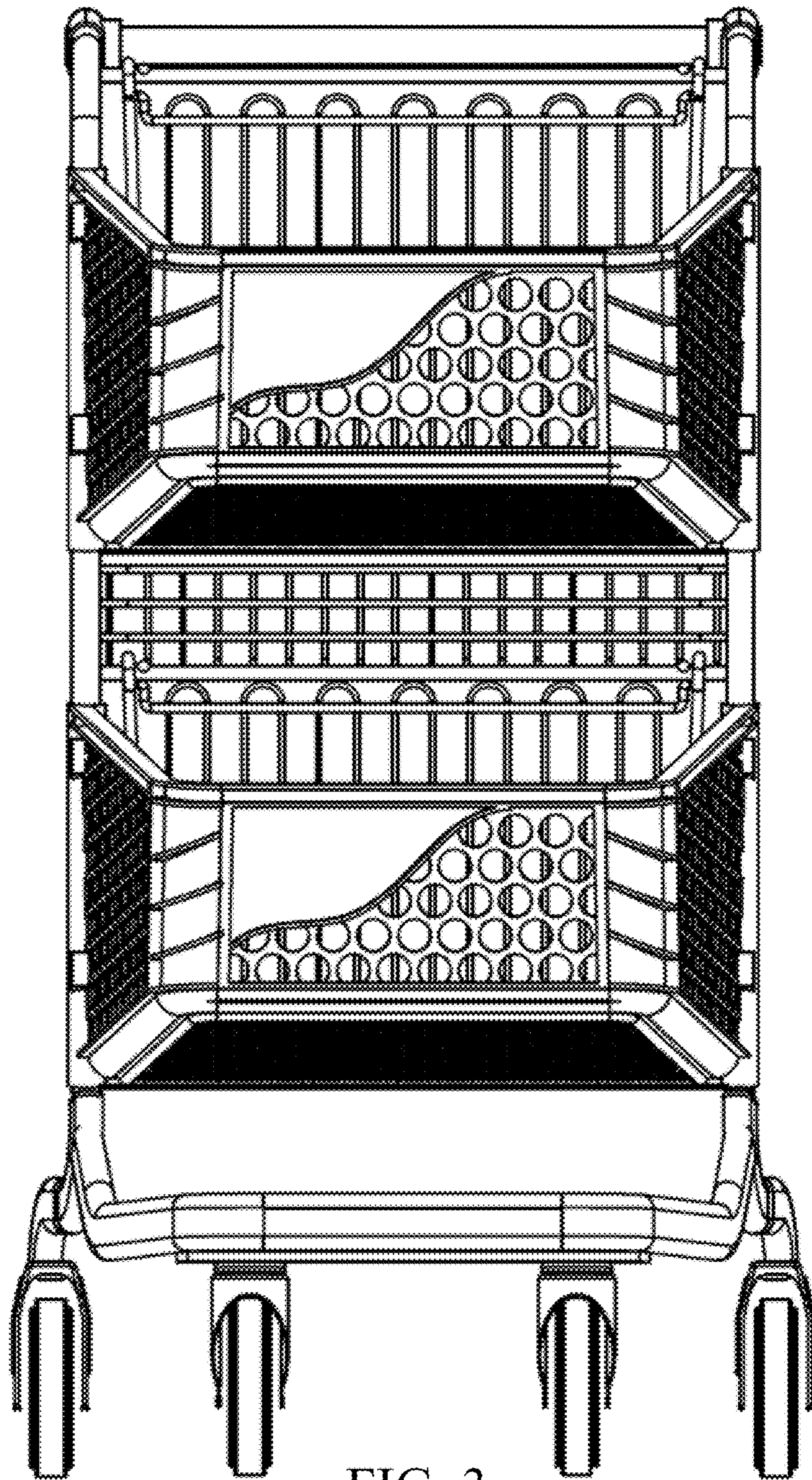


FIG. 3

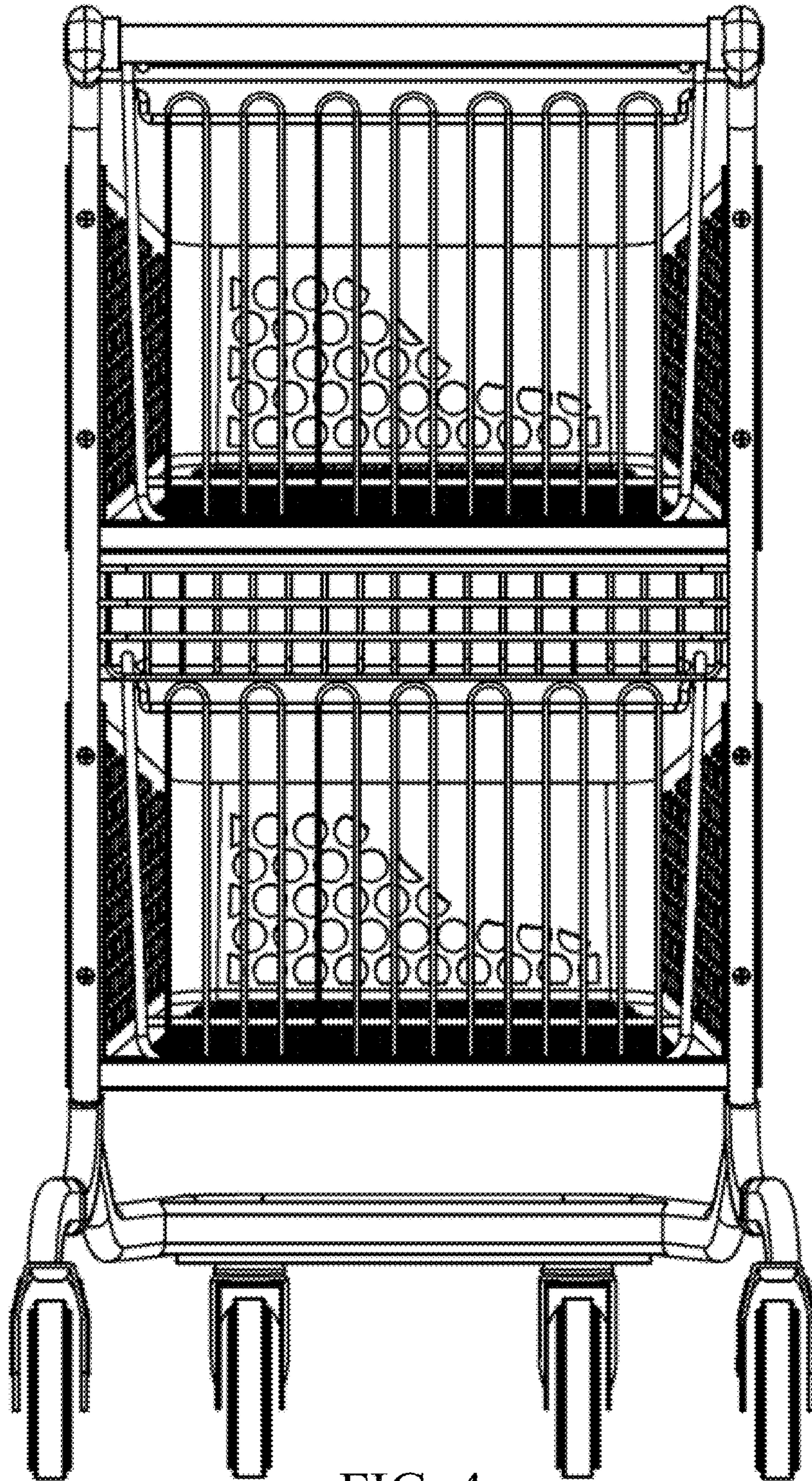


FIG. 4

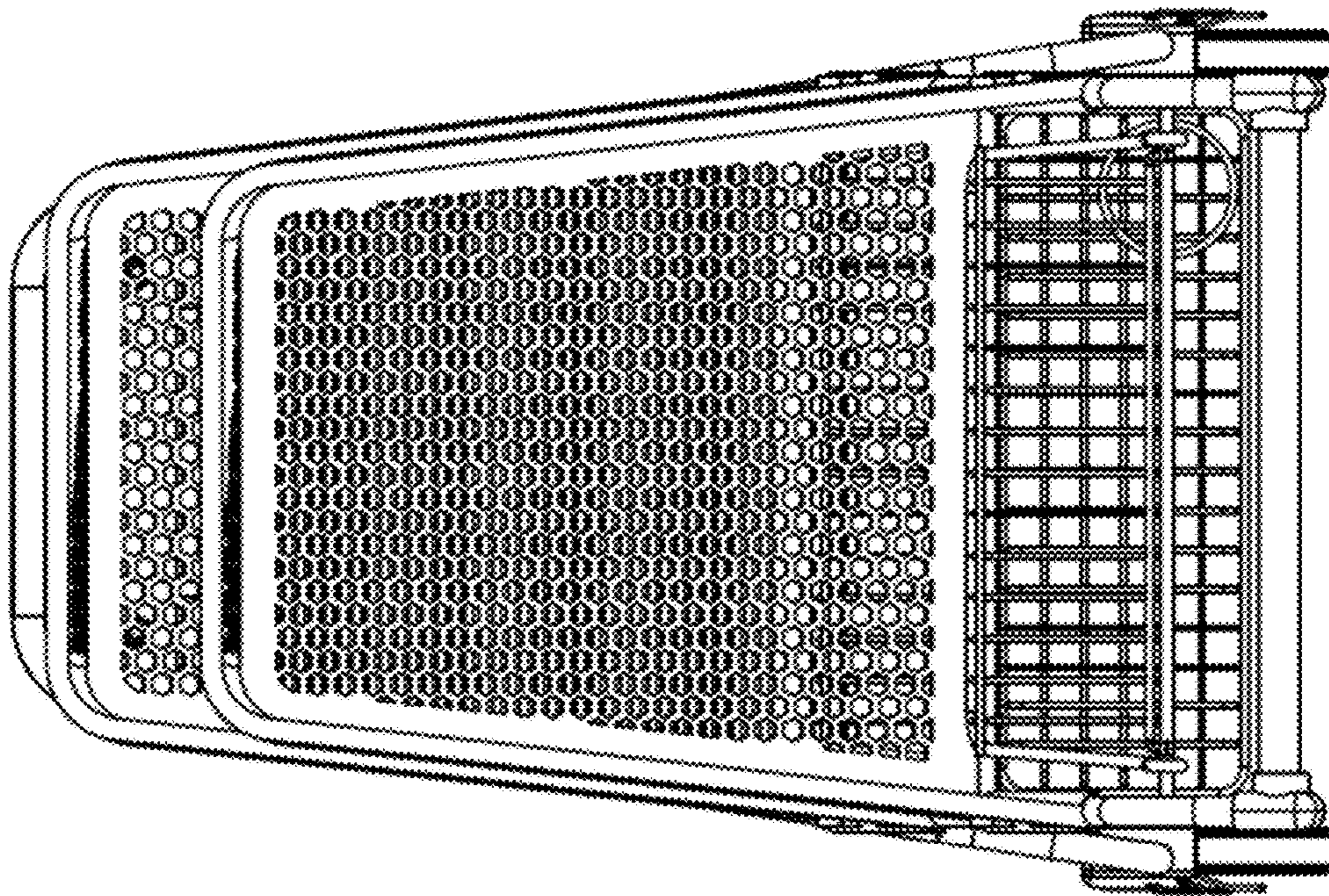


FIG. 5

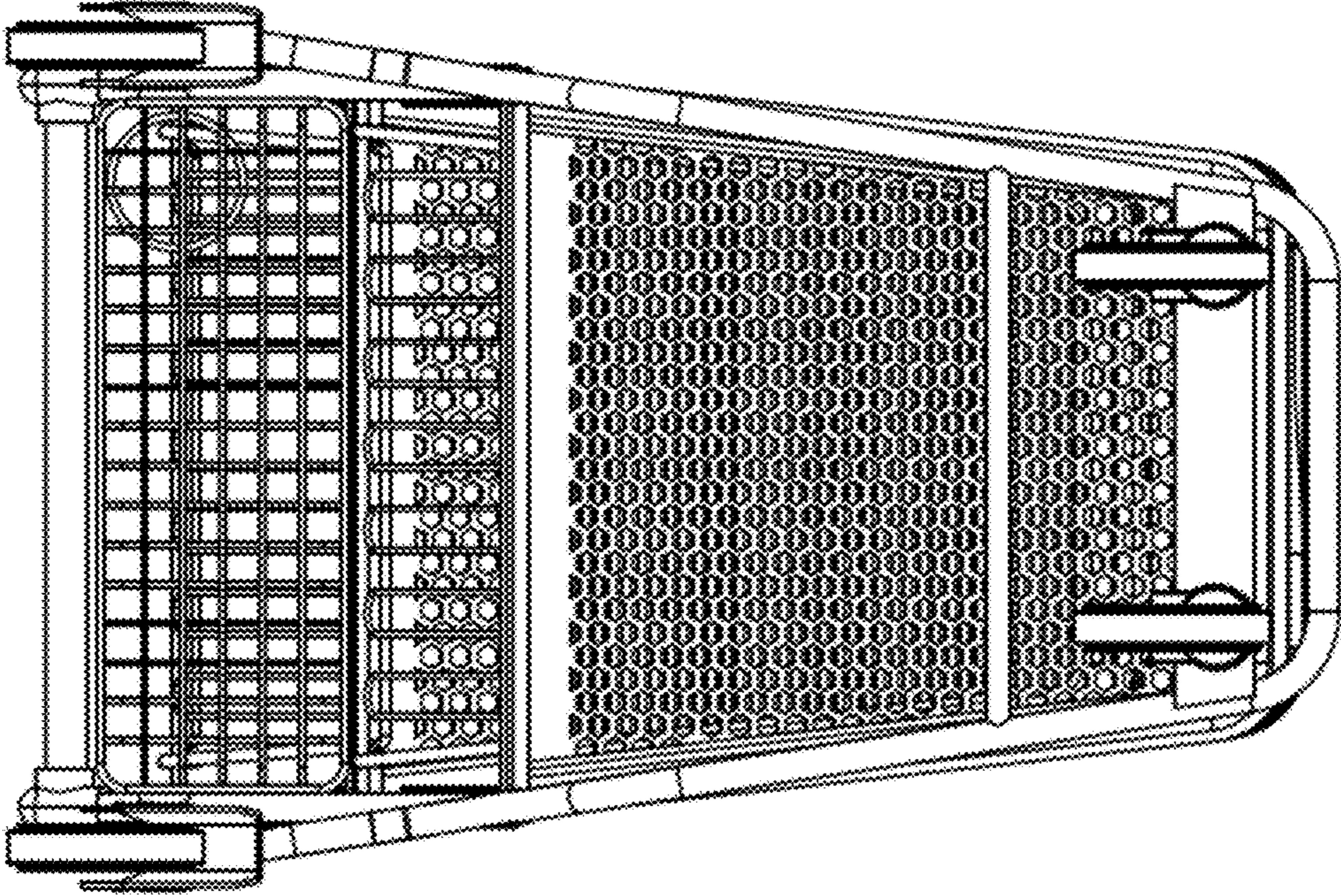


FIG. 6



FIG. 7

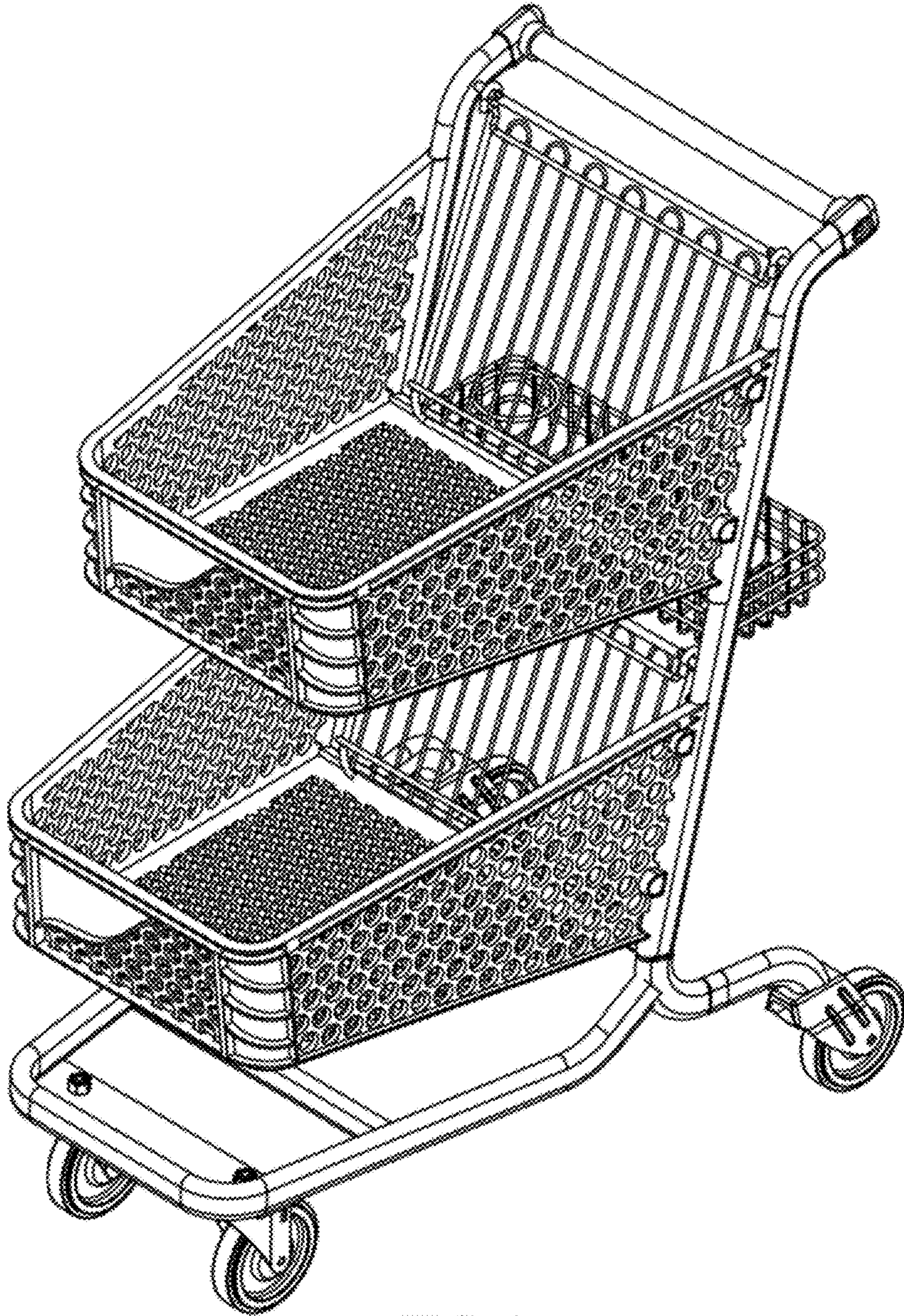


FIG. 8