



US00D839524S

(12) **United States Design Patent**
Yoo et al.

(10) **Patent No.:** **US D839,524 S**
(45) **Date of Patent:** **** Jan. 29, 2019**

(54) **CLOTHES DRYER**

(71) Applicant: **LG ELECTRONICS INC.**, Seoul (KR)

(72) Inventors: **Taewoo Yoo**, Seoul (KR); **Junghwan Lee**, Seoul (KR); **Kyungah Lee**, Seoul (KR); **Hyewon Kim**, Seoul (KR); **Jeaseok Seong**, Seoul (KR)

(73) Assignee: **LG ELECTRONICS INC.**, Seoul (KR)

(**) Term: **15 Years**

(21) Appl. No.: **35/504,122**

(22) Filed: **Jun. 5, 2017**

(80) **Hague Agreement Data**

Int. Filing Date: **Jun. 5, 2017**
Int. Reg. No.: **DM/096524**
Int. Reg. Date: **Jun. 5, 2017**
Int. Reg. Pub. Date: **Dec. 8, 2017**

(30) **Foreign Application Priority Data**

Dec. 5, 2016 (KR) 30-2016-0058857

(51) **LOC (11) Cl.** **15-05**

(52) **U.S. Cl.**
USPC **D32/58**

(58) **Field of Classification Search**

USPC D32/2, 6-13, 55, 56, 58; D6/410, 411, D6/462, 546, 548, 553, 567, 574, 566; D23/271, 273, 284, 286, 308
CPC D06F 33/02; D06F 39/14; D06F 37/304; D06F 39/005; D06F 39/12; D06F 37/04; D06F 39/02; D06F 29/00; D06F 37/203; D06F 37/28; D06F 37/30; D06F 58/02; D06F 2204/065; D06F 2222/00; D06F 29/005; D06F 29/02; D06F 31/00; D06F 33/00; D06F 37/10; D06F 37/12; D06F 37/36; D06F 58/206; D06F 58/22; D06F

58/24; D06F 17/08; D06F 1/04; D06F 2058/2803; D06F 2202/00; D06F 2202/02; D06F 2202/065; D06F 2202/12; D06F 2204/02; D06F 2204/086; D06F 2224/00; D06F 2232/00; D06F 2232/08; D06F 23/04; D06F 35/00; D06F 35/005; D06F 35/006; D06F 35/007; D06F 37/00; D06F 37/02; D06F 37/225; D06F 37/263; D06F 37/266;

(Continued)

(56) **References Cited**

U.S. PATENT DOCUMENTS

D276,387 S * 11/1984 Conti D6/549
D320,720 S * 10/1991 Goodman D6/546

(Continued)

Primary Examiner — George D. Kirschbaum

Assistant Examiner — Khawaja Anwar

(74) *Attorney, Agent, or Firm* — Birch, Stewart, Kolasch & Birch, LLP

(57) **CLAIM**

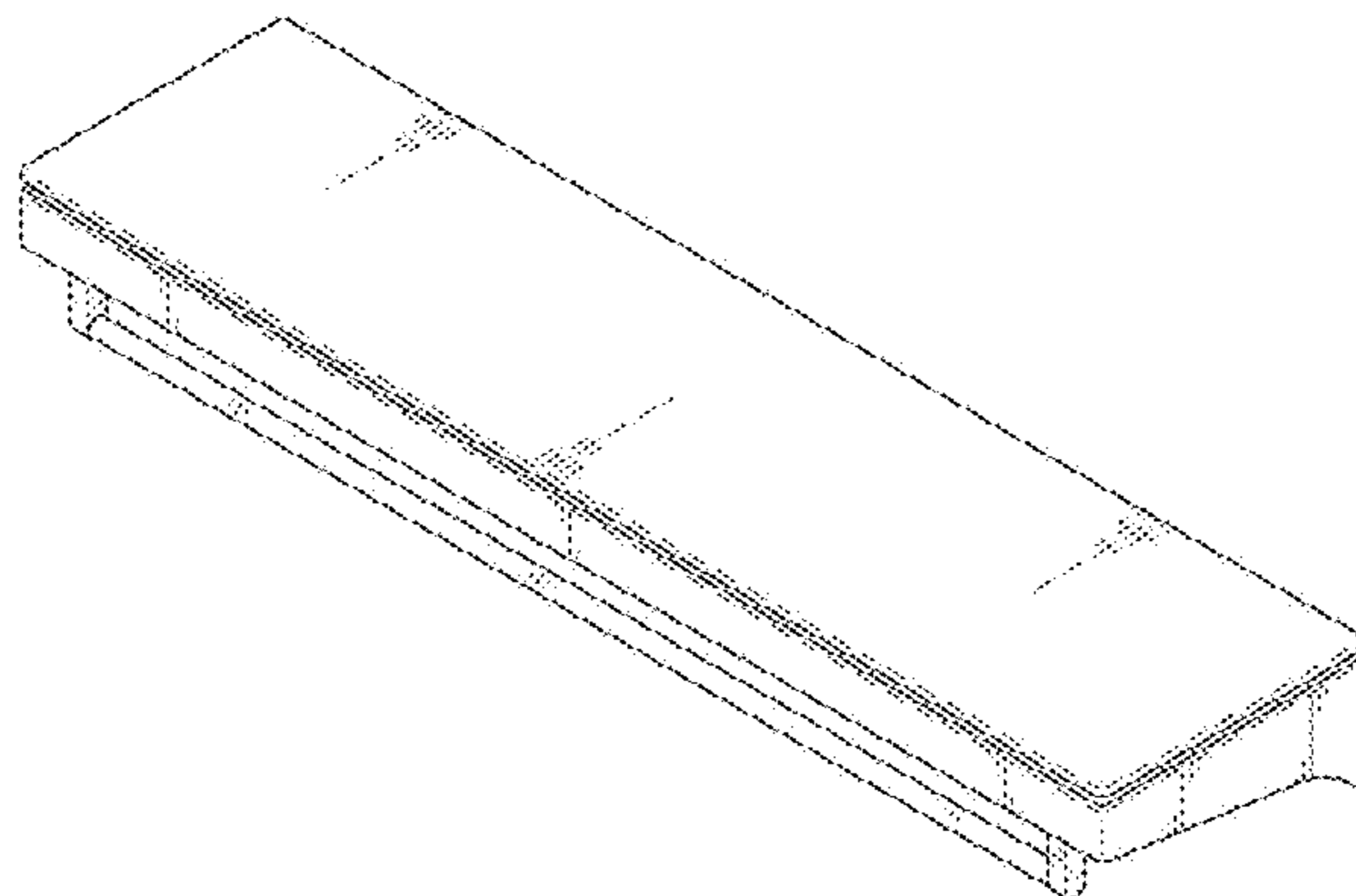
The ornamental design for a clothes dryer, as shown and described.

DESCRIPTION

- 1. Clothes dryer
- 1.1 : Perspective
- 1.2 : Front
- 1.3 : Back
- 1.4 : Left
- 1.5 : Top
- 1.6 : Bottom
- 1.7 : Bottom perspective

Reproduction 1.1 is a front perspective view of the clothes dryer; reproduction 1.2 is a front view thereof; reproduction 1.3 is a back view thereof; reproduction 1.4 is a left view thereof where the right view is a mirror image; reproduction

(Continued)



1.5 is a top view thereof; reproduction 1.6 is a bottom view thereof; reproduction 1.7 is a bottom perspective view thereof.

1 Claim, 7 Drawing Sheets

(58) **Field of Classification Search**

CPC D06F 37/268; D06F 37/40; D06F 37/42;
D06F 39/003; D06F 39/004; D06F
39/007; D06F 39/08; D06F 39/088; D06F
39/125; D06F 58/203; D06F 58/28; D06F
81/06

See application file for complete search history.

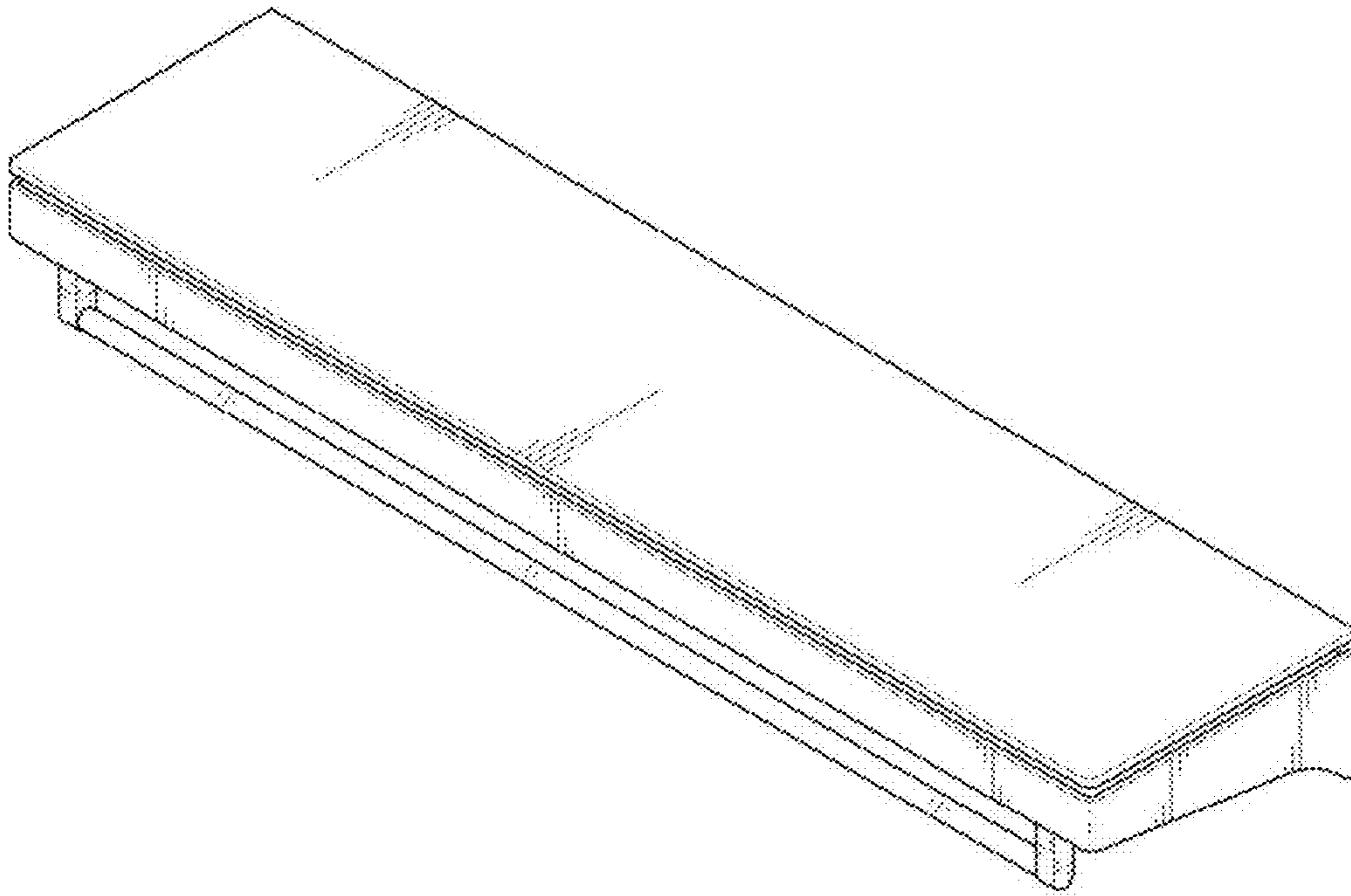
(56) **References Cited**

U.S. PATENT DOCUMENTS

| | | | | | | |
|----------|---|---|---------|----------|-------|---------|
| D321,423 | S | * | 11/1991 | Ohm | | D32/58 |
| D427,393 | S | * | 6/2000 | Bunch | | D32/8 |
| D597,773 | S | * | 8/2009 | Yeung | | D6/546 |
| D627,121 | S | * | 11/2010 | Merritt | | D32/55 |
| D659,335 | S | * | 5/2012 | Beneli | | D32/58 |
| D812,324 | S | * | 3/2018 | Fujigaya | | D32/8 |
| D820,405 | S | * | 6/2018 | Wieser | | D23/239 |

* cited by examiner

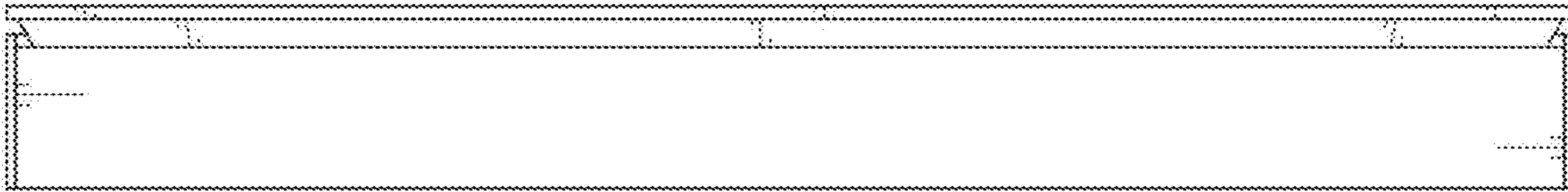
1.1



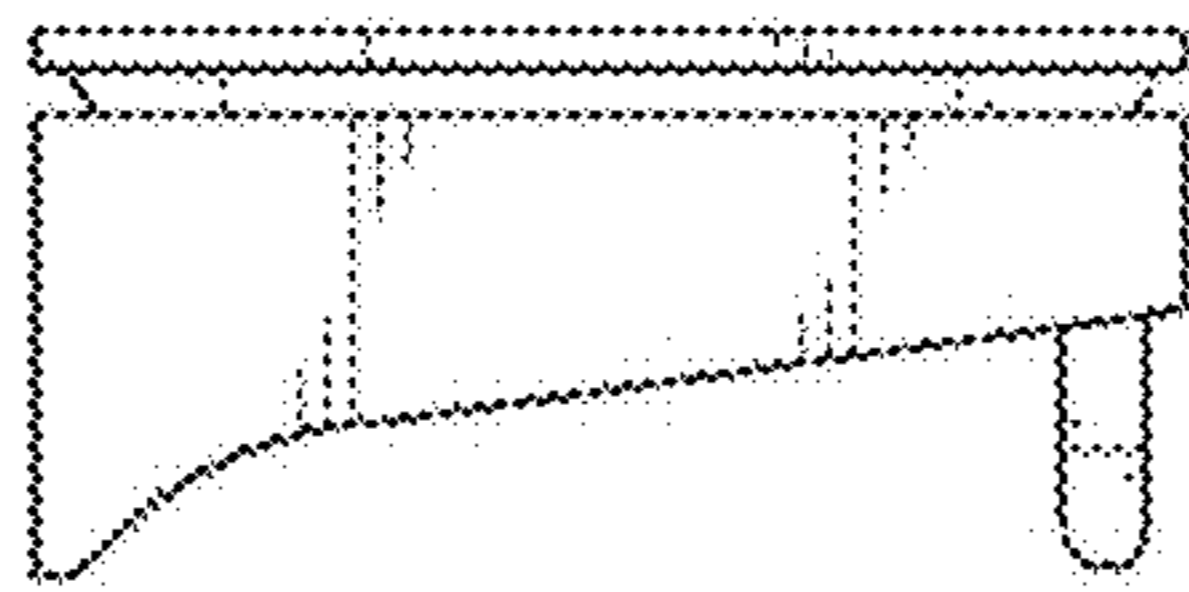
1.2



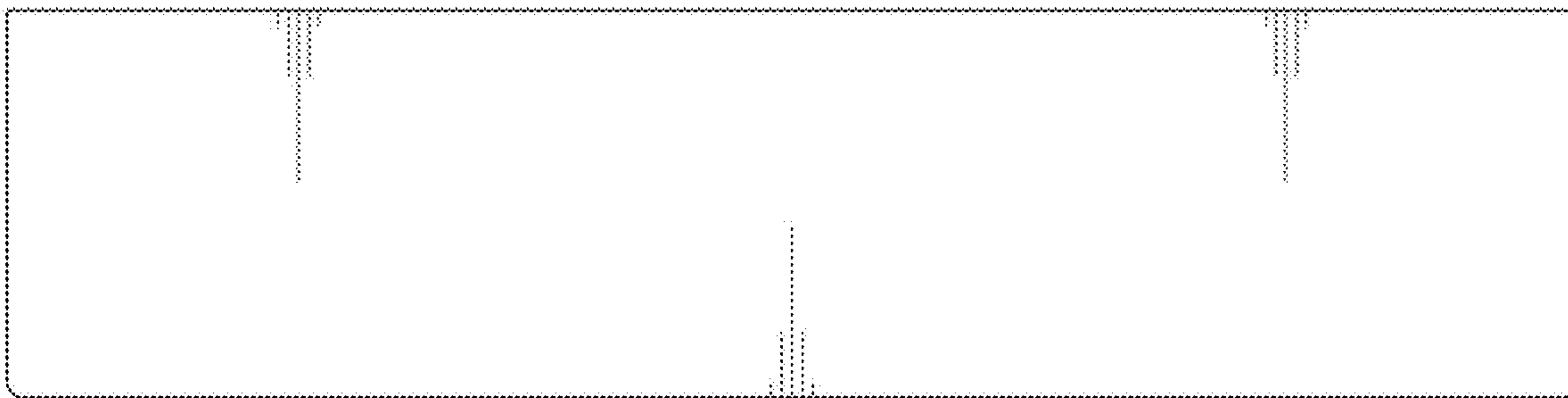
1.3



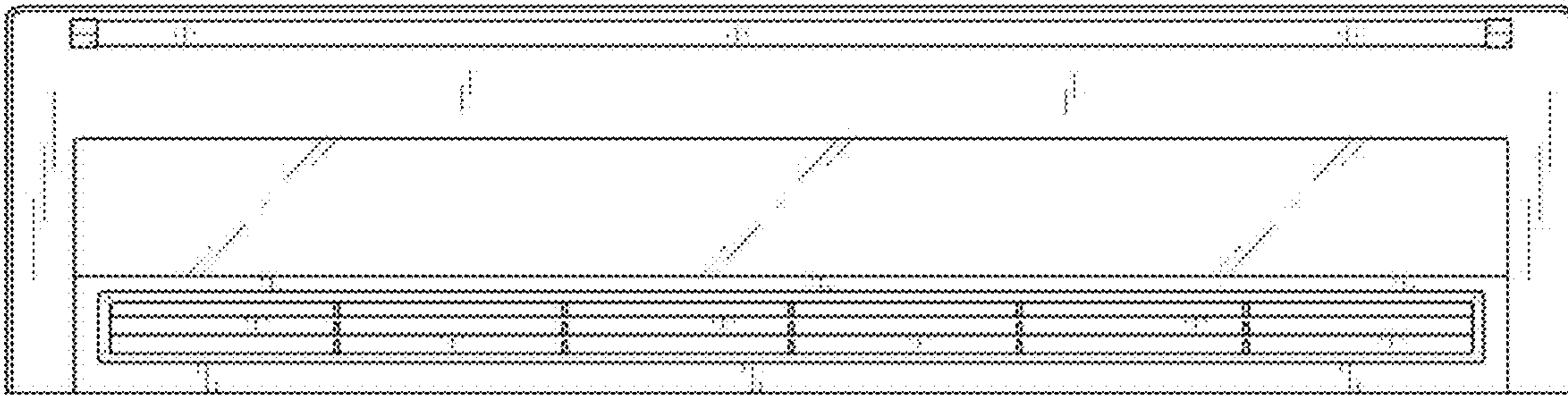
1.4



1.5



1.6



1.7

