



US00D839523S

(12) **United States Design Patent**
Duvigneau

(10) **Patent No.:** **US D839,523 S**

(45) **Date of Patent:** **** Jan. 29, 2019**

(54) **HAMPER**

(56)

References Cited

(71) Applicant: **CURVER Luxembourg Sarl,**
Neidercom (LU)

U.S. PATENT DOCUMENTS

(72) Inventor: **Nikolai Duvigneau, Zichron Yaacov**
(IL)

D302,069 S * 7/1989 Yoshikawa D3/312
D344,167 S * 2/1994 Hobson D32/37
D347,921 S * 6/1994 Yoshikawa D3/304

(Continued)

(73) Assignee: **CURVER LUXEMBOURG SARL,**
Neidercorn (LU)

OTHER PUBLICATIONS

(**) Term: **15 Years**

Curver, "Infinity Hamper", Dec. 15, 2017. http://www.curver.com/usa/catalog_category/laundry/. Shown on p. 1. (Year: 2017).*

(21) Appl. No.: **29/616,944**

Primary Examiner — Cynthia Ramirez

(22) Filed: **Sep. 11, 2017**

Assistant Examiner — Michael A Maharajh

(74) *Attorney, Agent, or Firm* — Vorys, Sater, Seymour & Pease LLP

Related U.S. Application Data

(62) Division of application No. 29/573,893, filed on Aug. 10, 2016.

(57)

CLAIM

The ornamental design for a hamper, as shown and described.

(30) **Foreign Application Priority Data**

Feb. 11, 2016 (IL) 58066

(51) **LOC (11) Cl.** **09-04**

(52) **U.S. Cl.**

USPC **D32/37**

(58) **Field of Classification Search**

USPC D34/1, 2, 3, 4, 5, 6, 7, 8, 9, 10, 11, 37,
D34/39; D6/403; D9/737, 738, 770,
D9/772, 778, 781; D11/143; D19/77,
D19/99; D23/202, 203, 205; 220/211,
220/4.04, 484, 495.08, 569, 62.12, 62.13,
220/703, 737, 748, 908.1, 908.2, 908,
220/909, 495.09, 810, 495.06; D32/37;
D3/304, 306, 307, 309, 312

CPC D06F 95/002; B62B 2202/66; B65D
2251/1058; B65D 2543/00074; B65D
43/169; B65D 47/0838

See application file for complete search history.

DESCRIPTION

FIG. 1 is a top front perspective view of a hamper showing my new design;

FIG. 2 is a rear perspective view of the hamper as seen in FIG. 1;

FIG. 3 is a top rear perspective view of the hamper as seen in FIG. 1;

FIG. 4 is a front view of the hamper as seen in FIG. 1;

FIG. 5 is a rear view of the hamper as seen in FIG. 1;

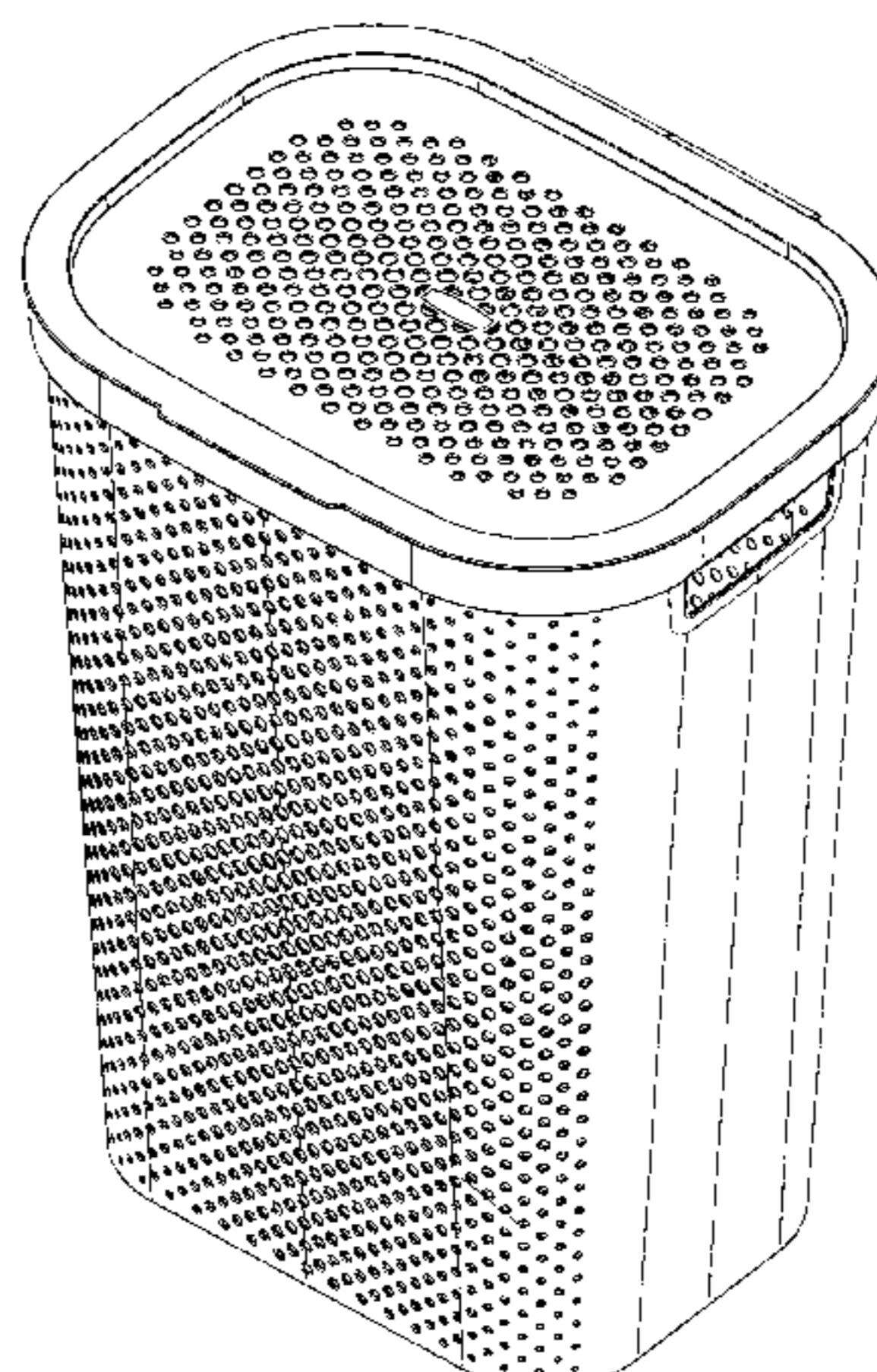
FIG. 6 is a side view of the hamper as seen in FIG. 1, the other side view being a mirror image of FIG. 6;

FIG. 7 is a top view of the hamper as seen in FIG. 1;

FIG. 8 is a front perspective view of the hamper from below as seen in FIG. 1; and,

FIG. 9 is the rear perspective view of the hamper from below as seen in FIG. 1.

(Continued)



The broken lines shown in the figures are for the purpose of illustrating portions of the hamper, which form no part of the claimed design.

1 Claim, 9 Drawing Sheets

(56) **References Cited**

U.S. PATENT DOCUMENTS

6,036,204	A	*	3/2000	Craft	B65F 1/1468 220/762
D457,280	S	*	5/2002	Sofy	D32/37
D474,316	S	*	5/2003	Sofy	D32/37
D501,968	S	*	2/2005	Sofy	D32/37
D503,020	S	*	3/2005	Sofy	D32/37
D551,405	S	*	9/2007	Cassel	D32/37
D643,583	S	*	8/2011	Duvigneau	D32/37
D706,507	S	*	6/2014	Duvigneau	D32/37

* cited by examiner

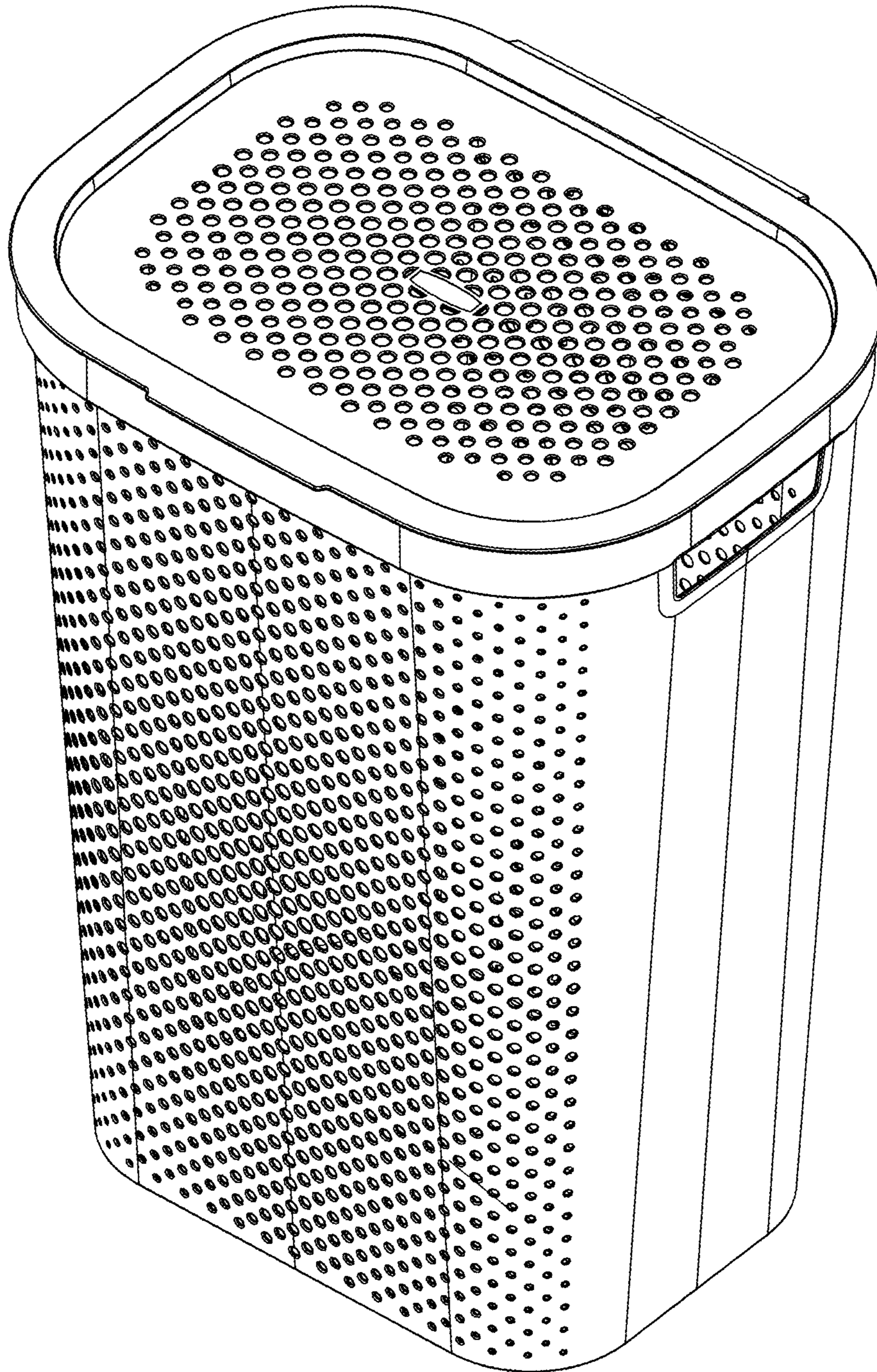


FIG. 1

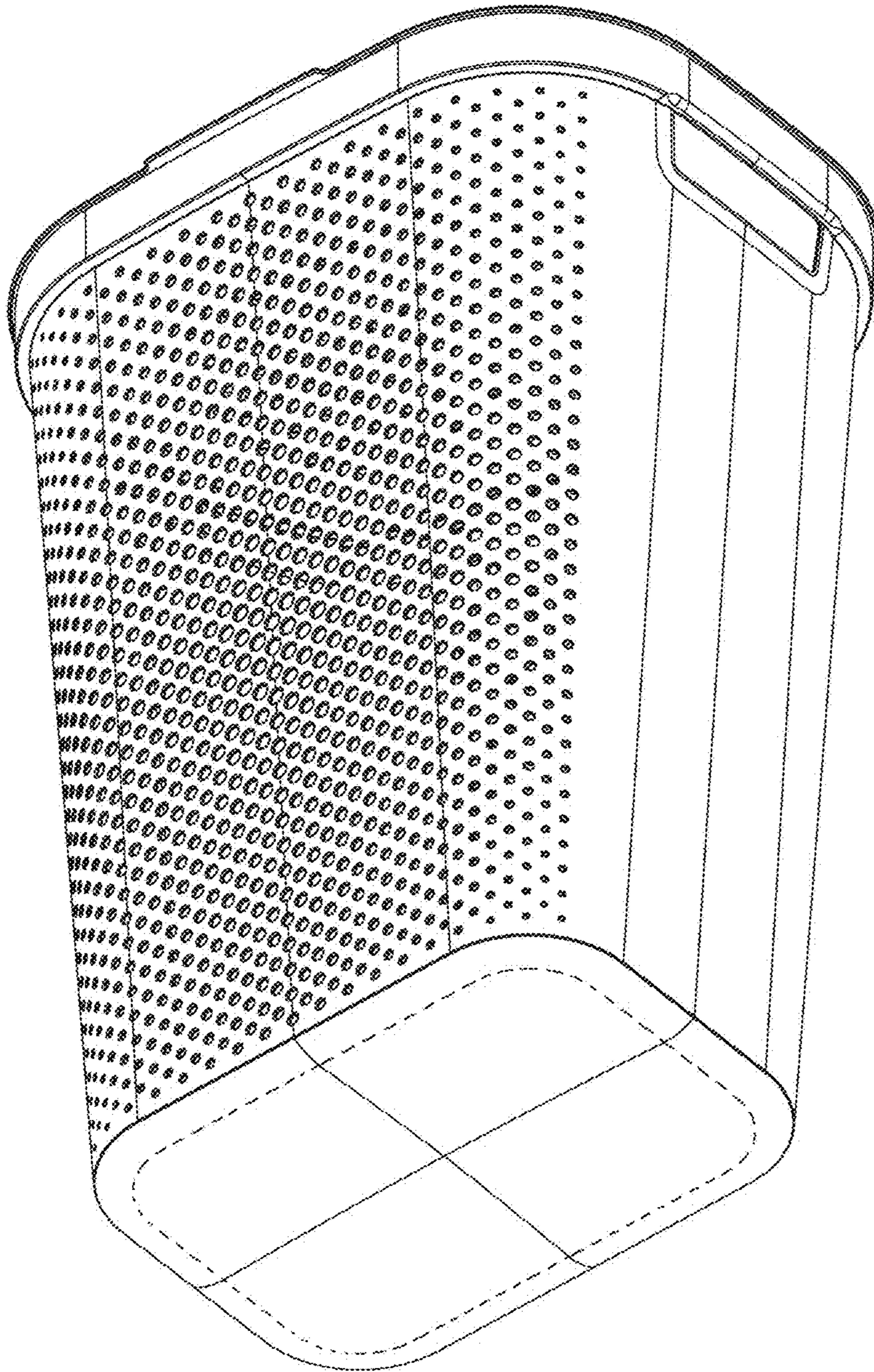


FIG. 2

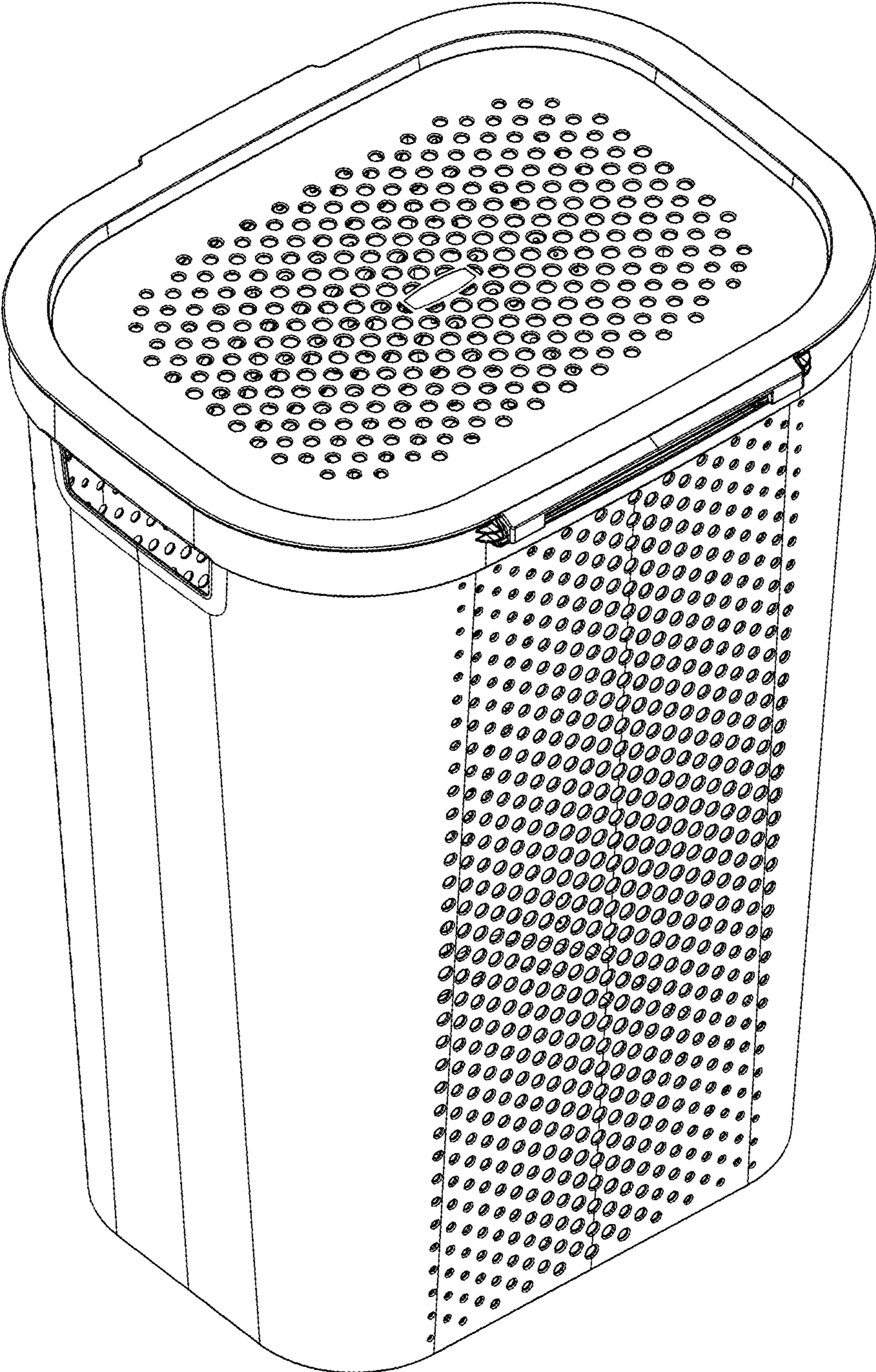


FIG. 3

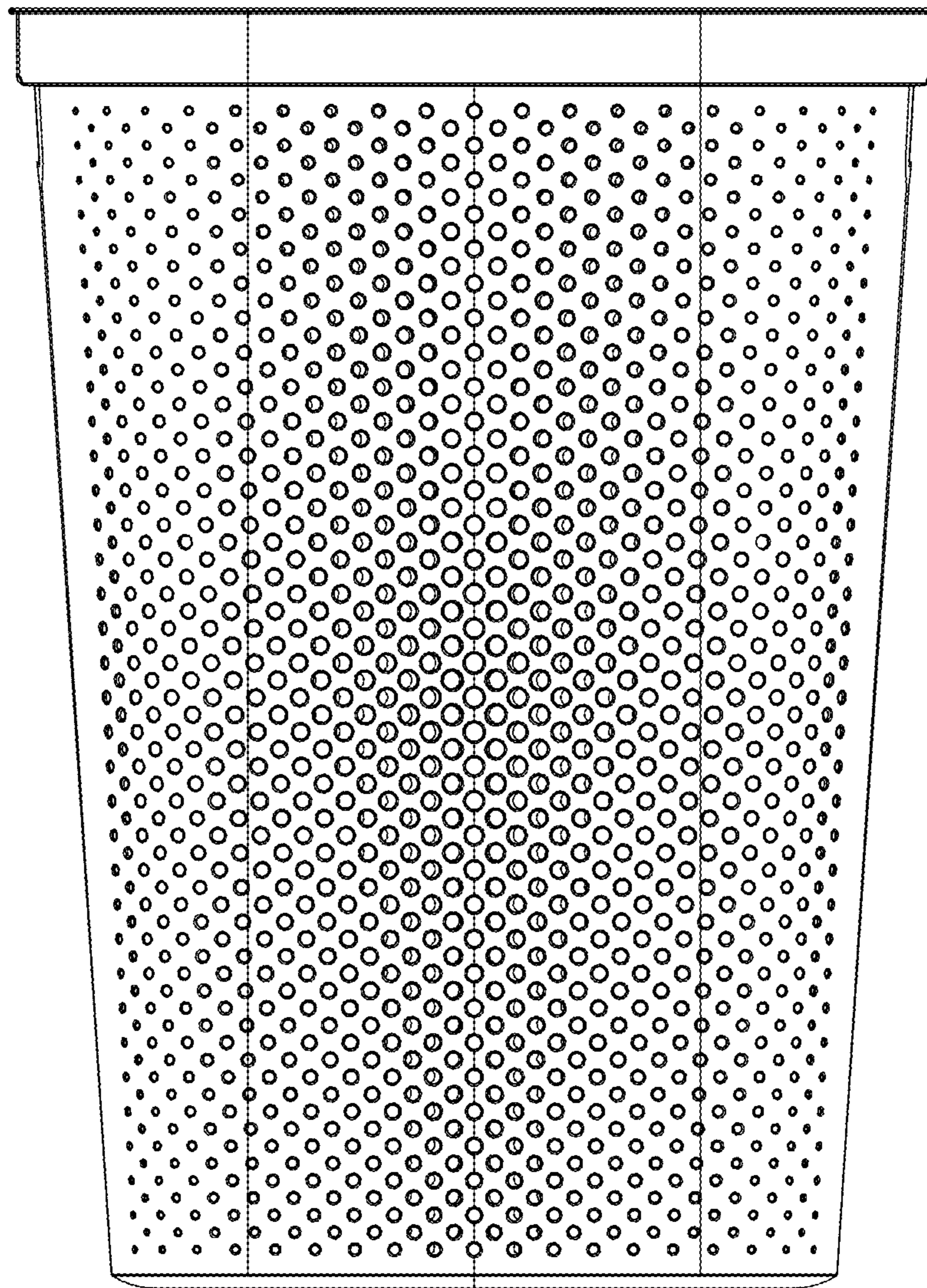


FIG. 4

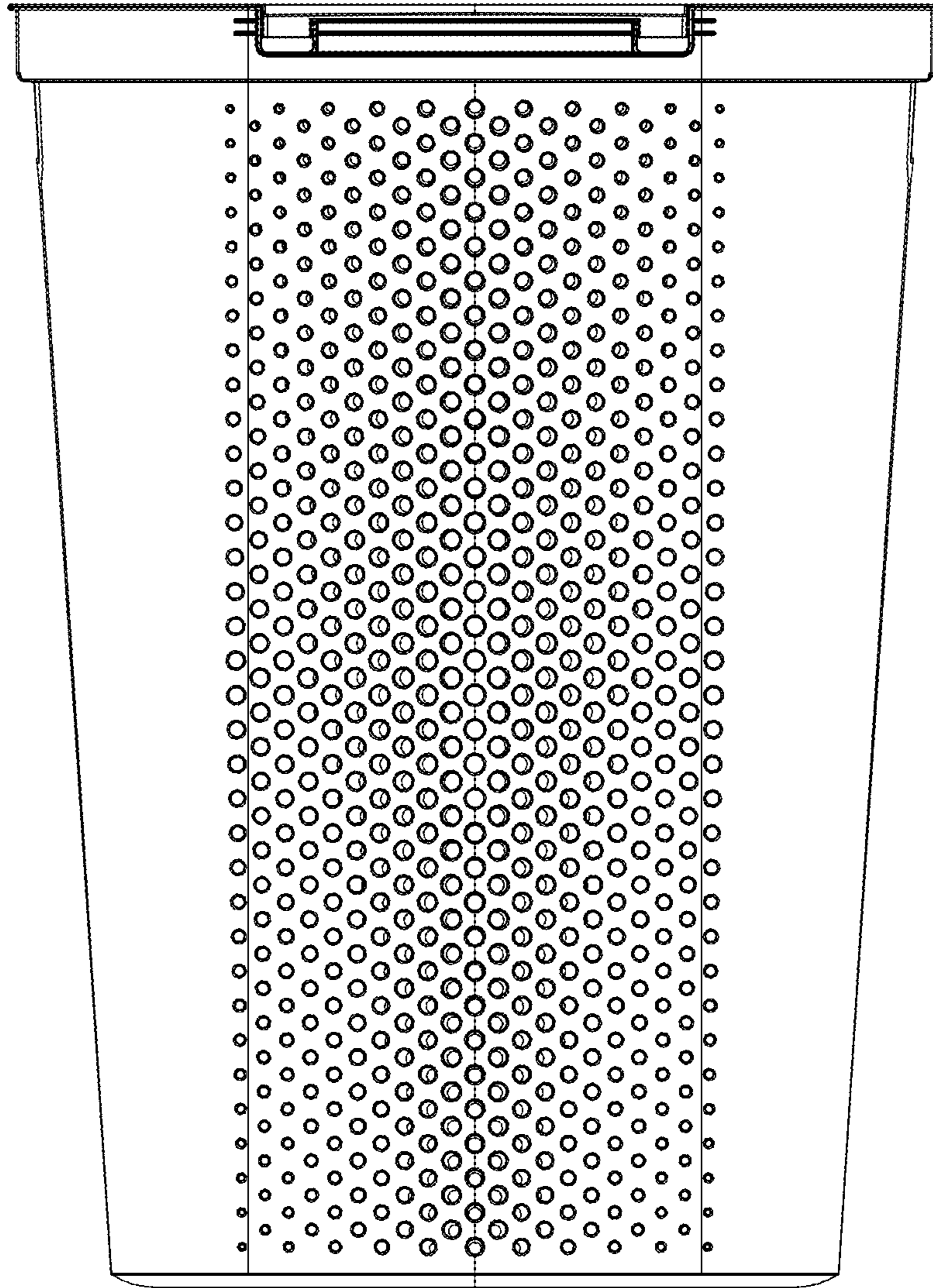


FIG. 5

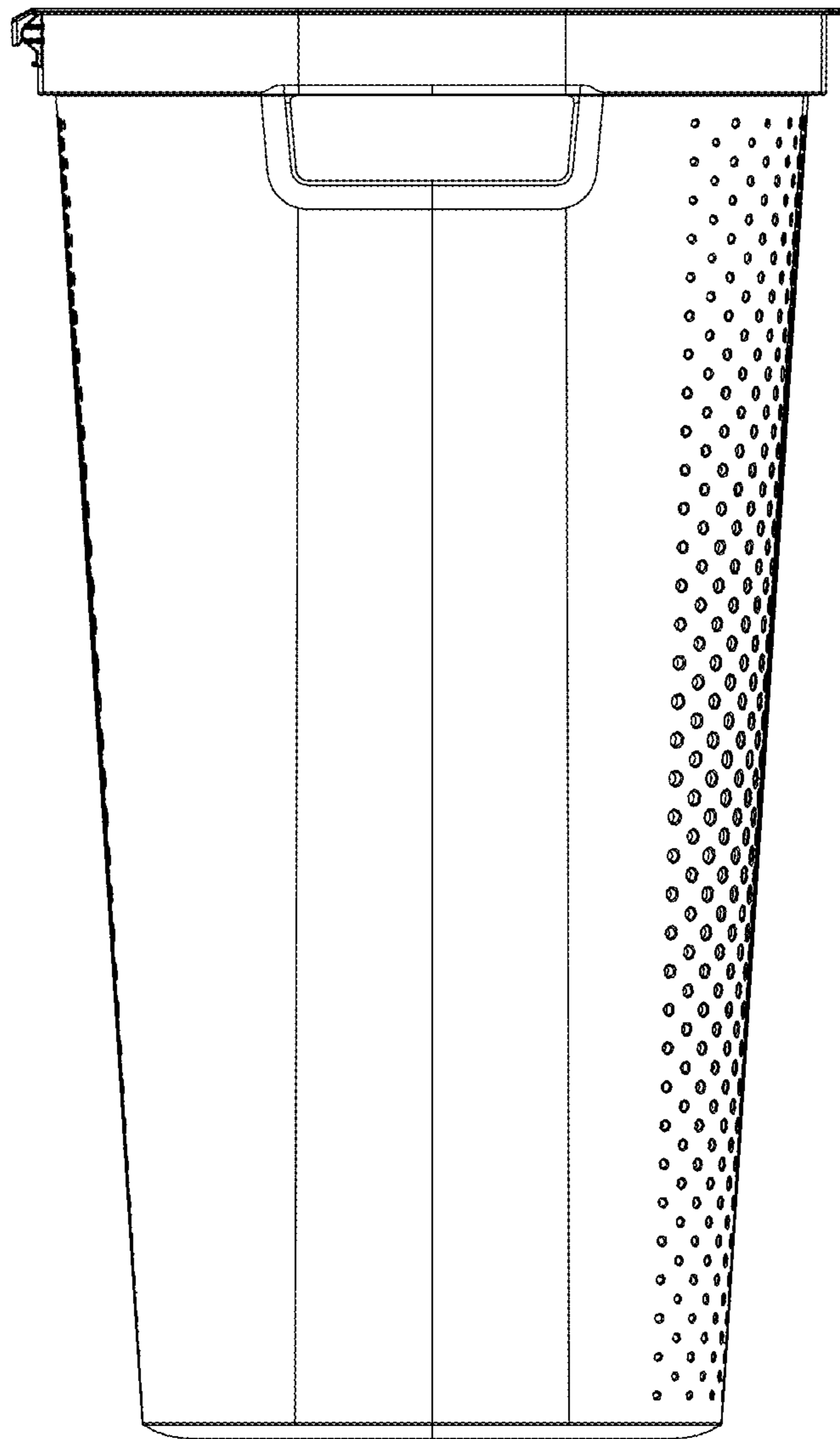


FIG. 6

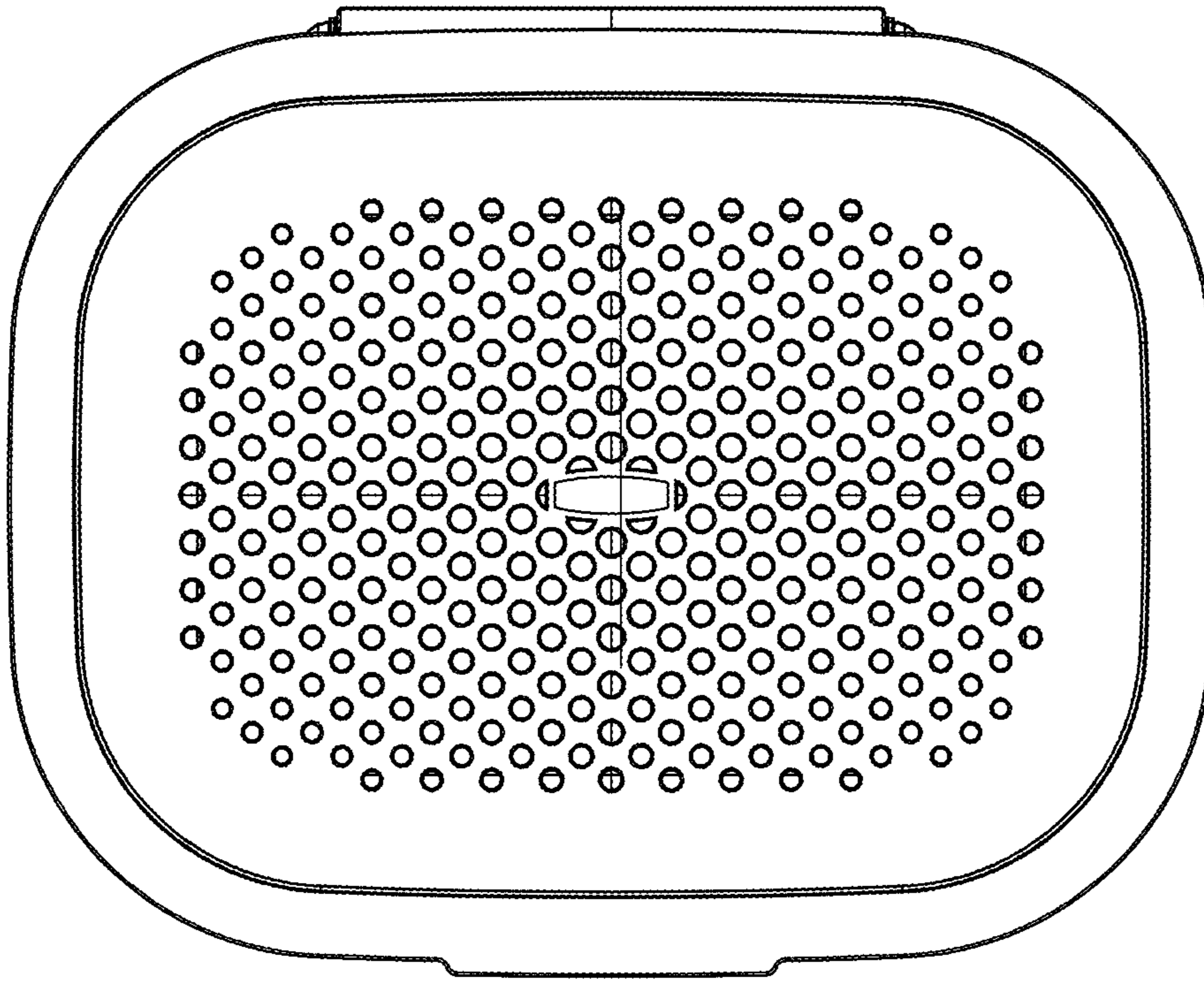


FIG. 7

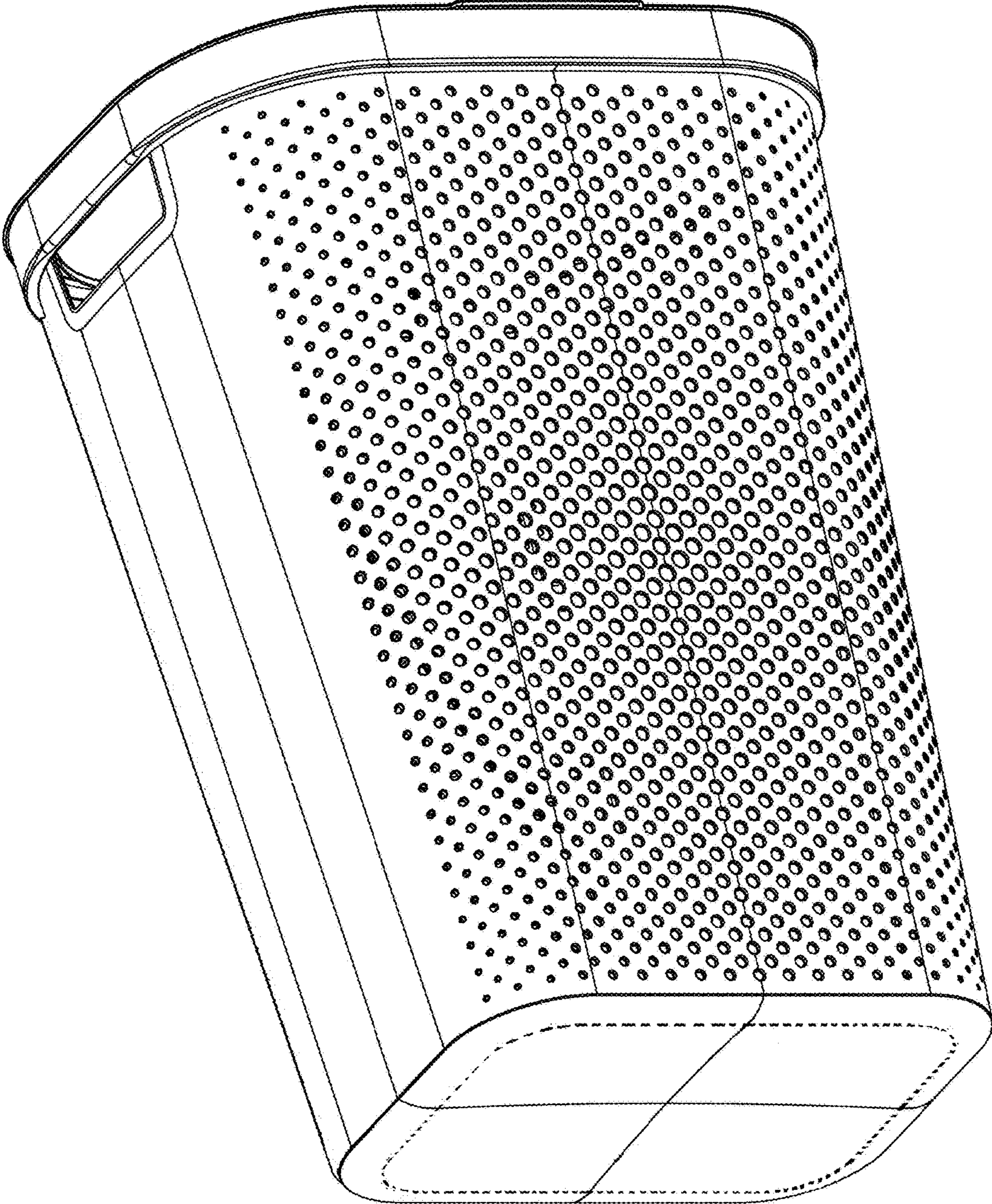


FIG. 8

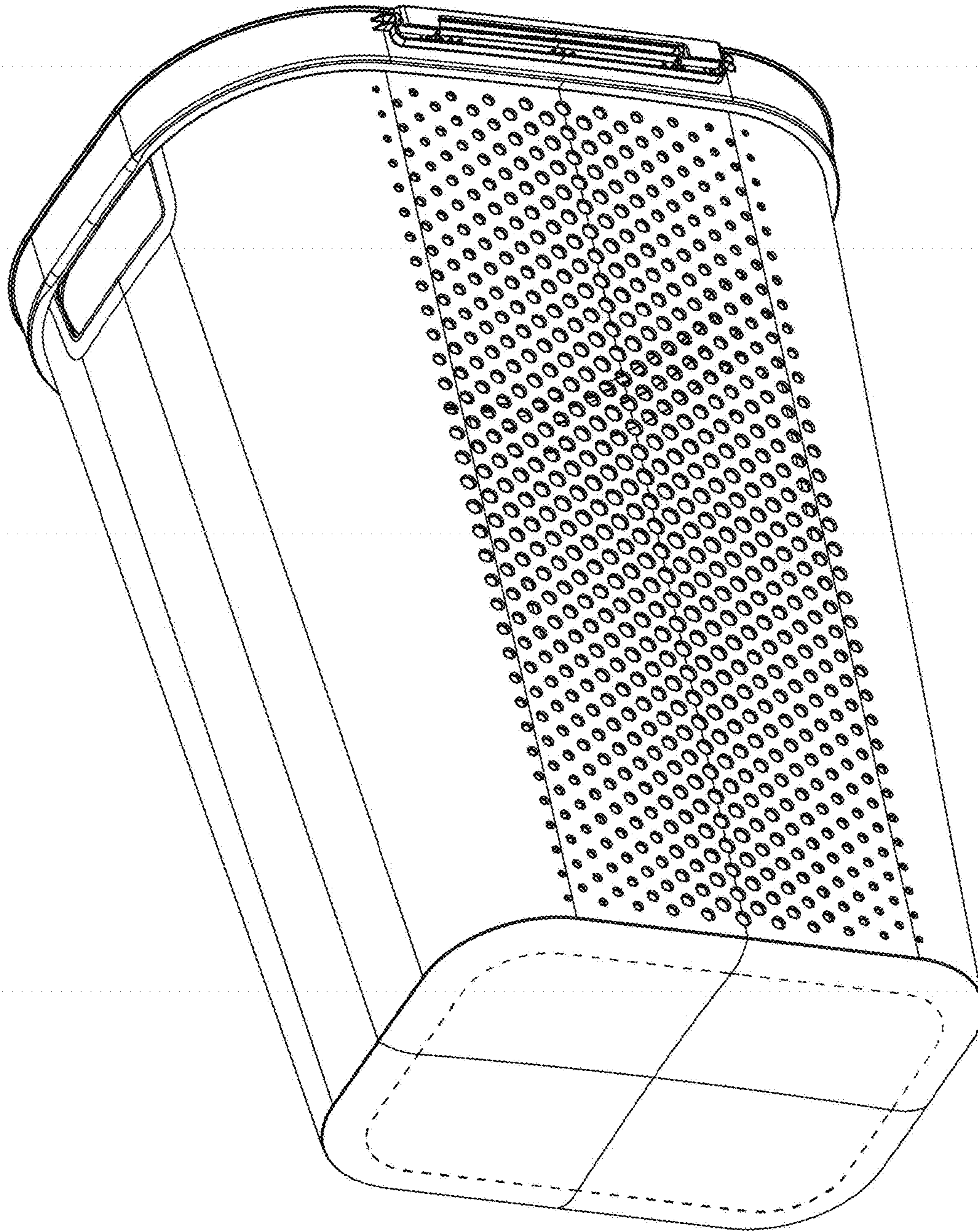


FIG. 9