



US00D839522S

(12) **United States Design Patent**  
**Lee**

(10) **Patent No.:** **US D839,522 S**  
(45) **Date of Patent:** **\*\* Jan. 29, 2019**

- (54) **CLEANING KIT FOR COSMETIC BRUSH**
- (71) Applicant: **LEEGEM CO., LTD.**, Siheung-si (KR)
- (72) Inventor: **Sung Jae Lee**, Seoul (KR)
- (73) Assignee: **LEEGEM CO., LTD.**, Siheung-si, Gyeonggi-Do (KR)
- (\*\*) Term: **15 Years**
- (21) Appl. No.: **29/608,259**
- (22) Filed: **Jun. 20, 2017**
- (51) **LOC (11) Cl.** ..... **15-05**
- (52) **U.S. Cl.**  
USPC ..... **D32/35**
- (58) **Field of Classification Search**  
USPC ..... D32/1, 15, 21, 23, 31, 33, 35, 46-48;  
D28/21-23, 28-31; D4/199  
CPC ..... A61Q 1/10; A46B 17/06; A46B 13/04;  
A45D 24/46; A47K 1/09; A61L 2/10;  
B44D 3/006  
See application file for complete search history.

(56) **References Cited**

**U.S. PATENT DOCUMENTS**

D256,181	S *	8/1980	Kupperman	.....	D29/118
D268,968	S *	5/1983	Sami	.....	15/227
4,980,943	A *	1/1991	Barber	.....	A47L 13/18
					15/227
5,441,355	A *	8/1995	Moore	.....	A46B 5/04
					15/227
D363,606	S *	10/1995	Abrahamson	.....	D2/610
6,460,190	B1 *	10/2002	Blum	.....	A47L 13/12
					2/158
D477,690	S *	7/2003	Howell	.....	D29/118
D526,096	S *	8/2006	Kaposi	.....	D29/118
D528,251	S *	9/2006	Lion	.....	D29/118
7,117,536	B2 *	10/2006	Burnett	.....	A41D 13/087
					2/16

7,234,170	B2 *	6/2007	Simic	.....	A41D 19/0058
					2/16
D569,578	S *	5/2008	Yan	.....	D2/614
D650,522	S *	12/2011	Gundersen	.....	D28/7
D651,408	S *	1/2012	Farkas	.....	D2/614
8,356,378	B1 *	1/2013	Crooms	.....	A47L 13/19
					15/104.94
8,677,544	B1 *	3/2014	Raven	.....	A47L 13/12
					15/104.001
D782,138	S *	3/2017	Xavier	.....	D32/35

(Continued)

*Primary Examiner* — Michelle E. Wilson  
(74) *Attorney, Agent, or Firm* — Heedong Chae; Lucem, PC

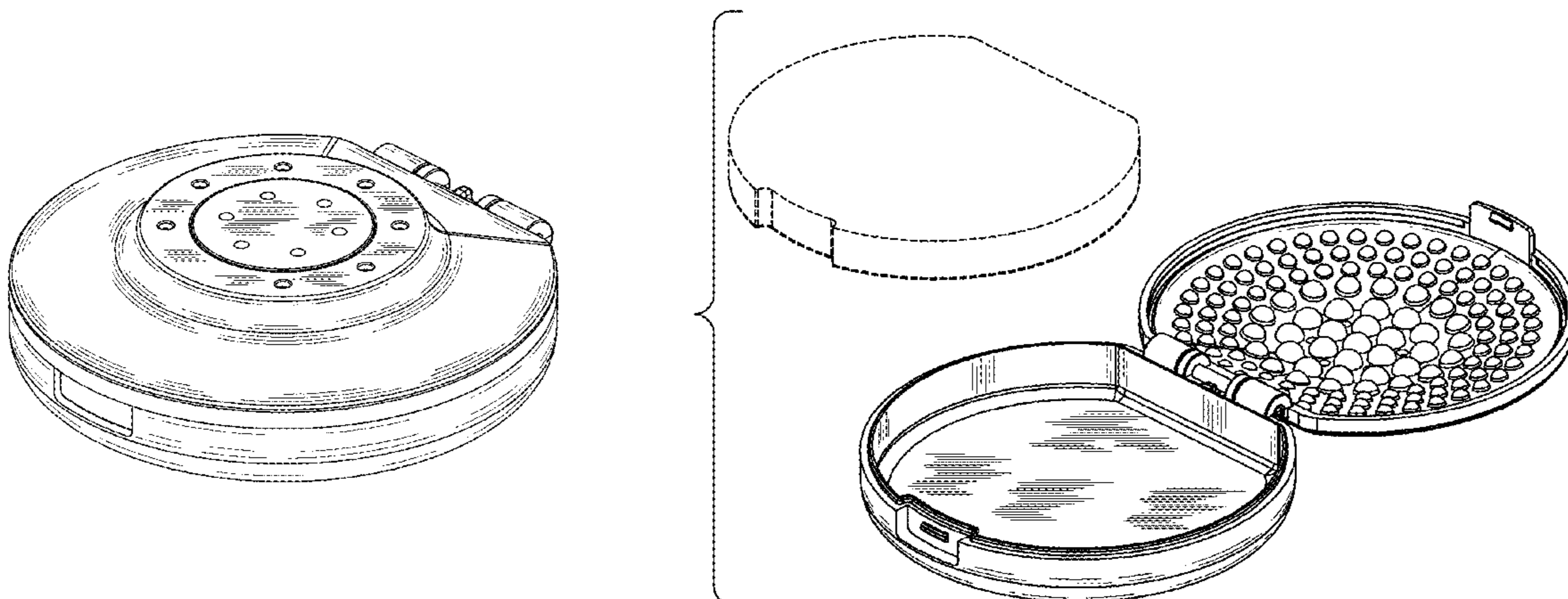
(57) **CLAIM**

The ornamental design for a cleaning kit for cosmetic brush, as shown and described.

**DESCRIPTION**

FIG. 1 is a front perspective view of a cleaning kit for cosmetic brush showing my new design;  
 FIG. 2 is a front elevational view thereof;  
 FIG. 3 is a rear elevational view thereof;  
 FIG. 4 is a left side elevational view thereof;  
 FIG. 5 is a right side elevational view thereof;  
 FIG. 6 is a top plan view thereof;  
 FIG. 7 is a bottom plan view thereof;  
 FIG. 8 is a cross-sectional view thereof taken along line 8-8 of FIG. 2;  
 FIG. 9 is an exploded front perspective view thereof, shown in an open position;  
 FIG. 10 is a front perspective view thereof, shown in an open position; and,  
 FIG. 11 is another front perspective view thereof, shown in an open position.  
 The broken lines in the figure drawings represent an unclaimed environment only and form no part of the claimed design.

**1 Claim, 11 Drawing Sheets**



(56)

**References Cited**

U.S. PATENT DOCUMENTS

2005/0177965 A1\* 8/2005 Edoh ..... A47L 13/18  
15/160  
2006/0191092 A1\* 8/2006 O'Reilly ..... A47L 13/18  
15/227  
2006/0272116 A1\* 12/2006 Thompson ..... A47L 13/18  
15/227  
2007/0048063 A1\* 3/2007 Bauer ..... A47K 7/03  
401/7  
2007/0118963 A1\* 5/2007 Snyder ..... A61H 7/003  
2/158  
2014/0000052 A1\* 1/2014 Filho ..... A47L 13/18  
15/227

\* cited by examiner

FIG. 1

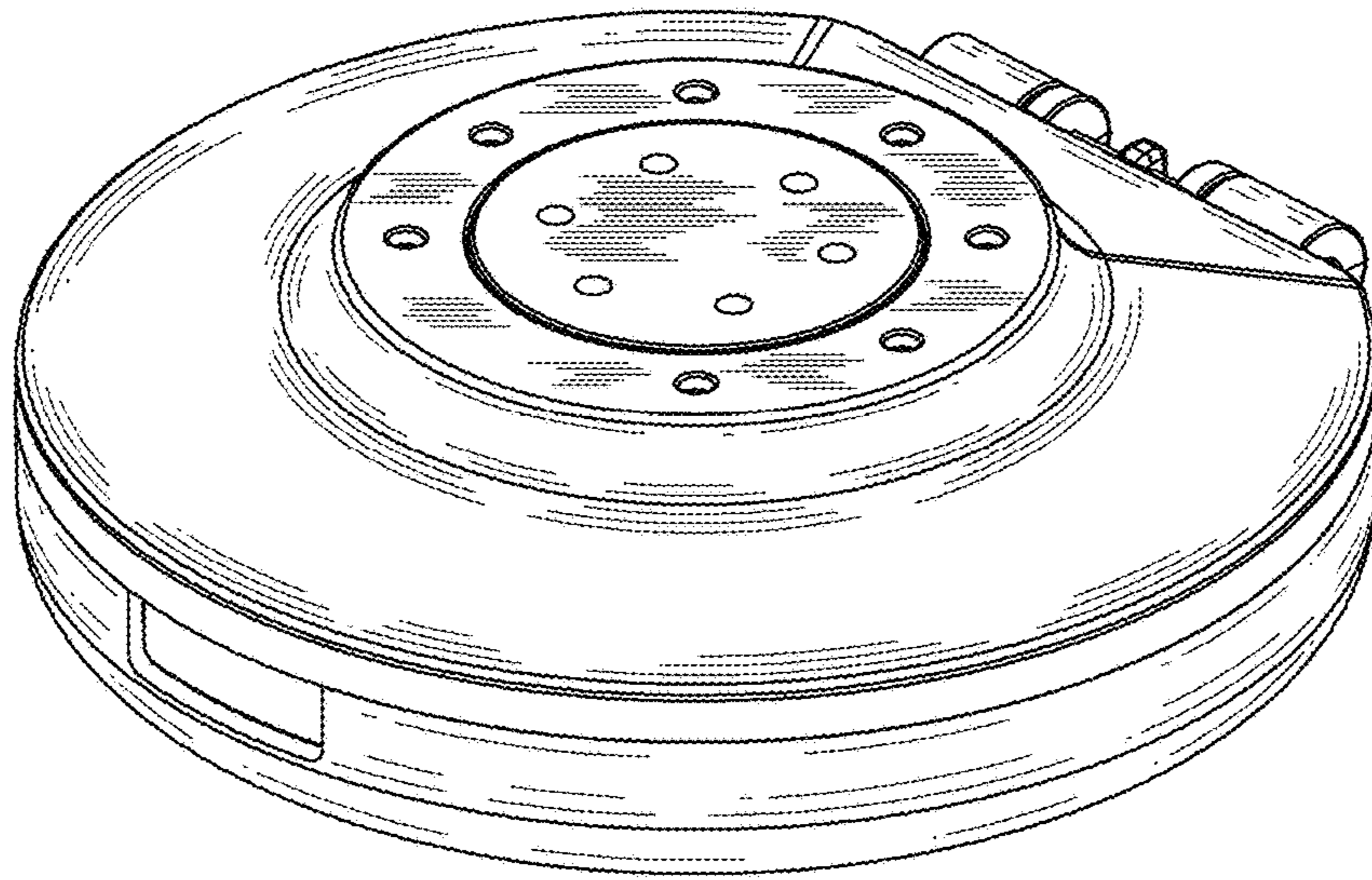


FIG. 2

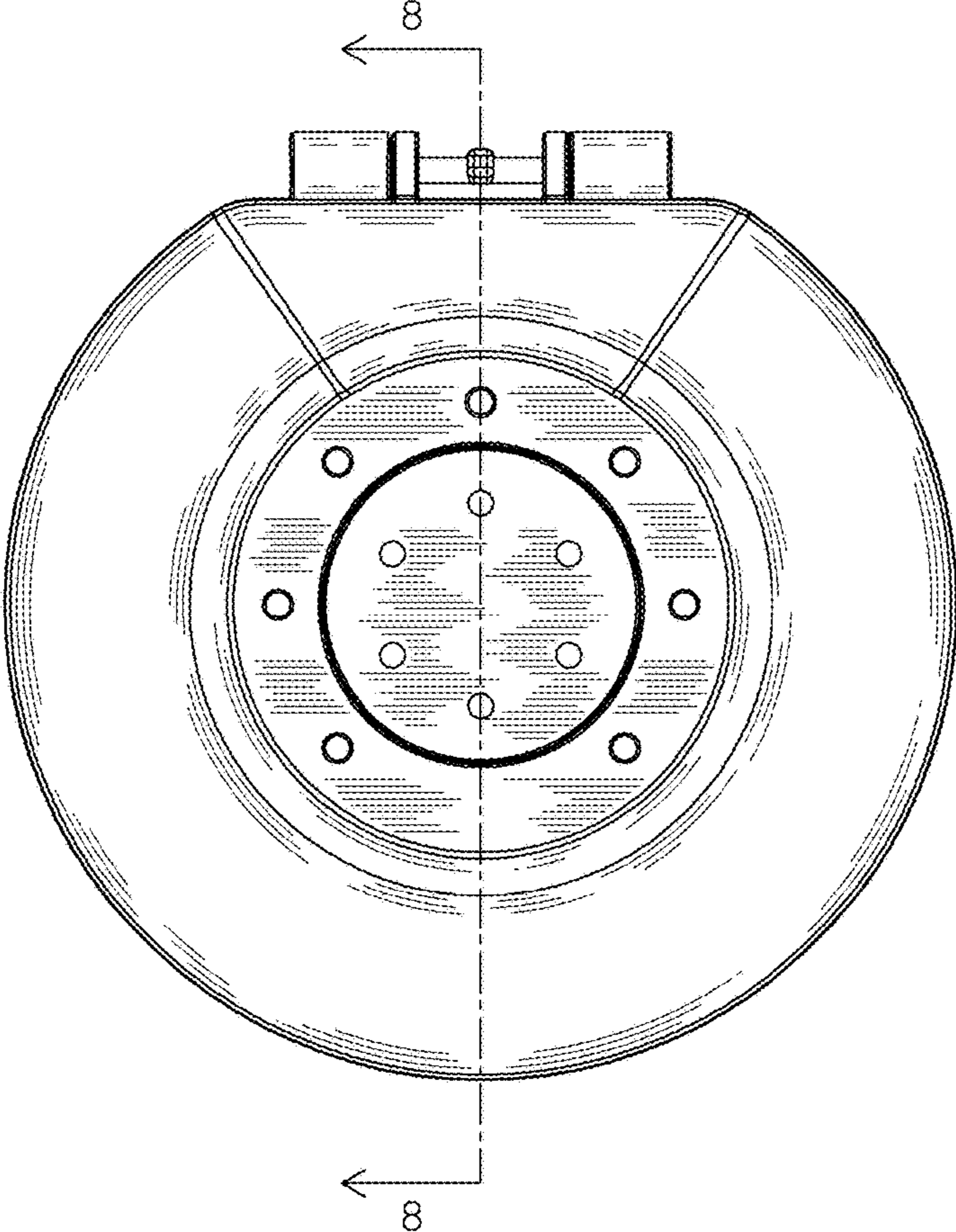


FIG. 3

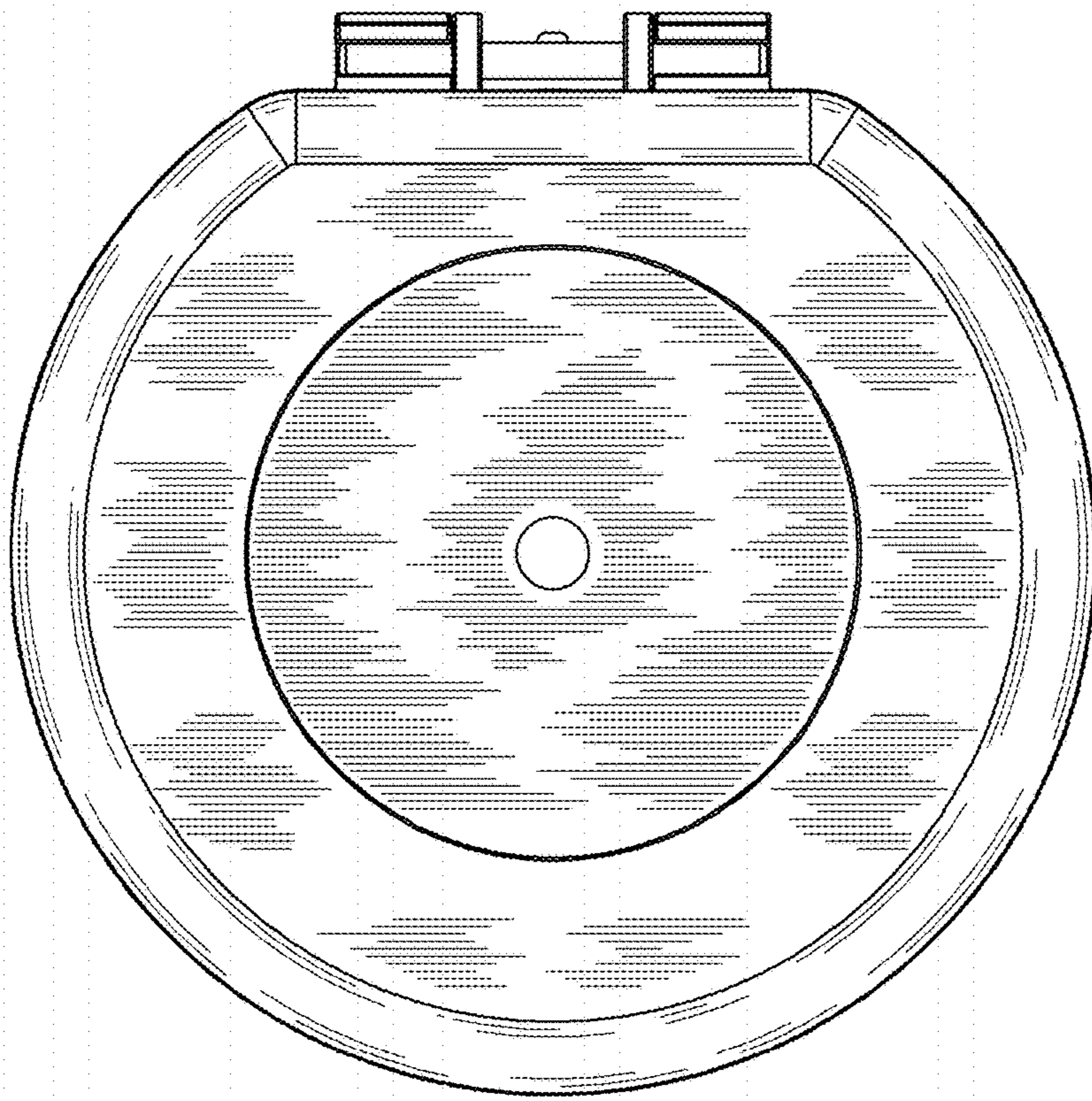


FIG. 4

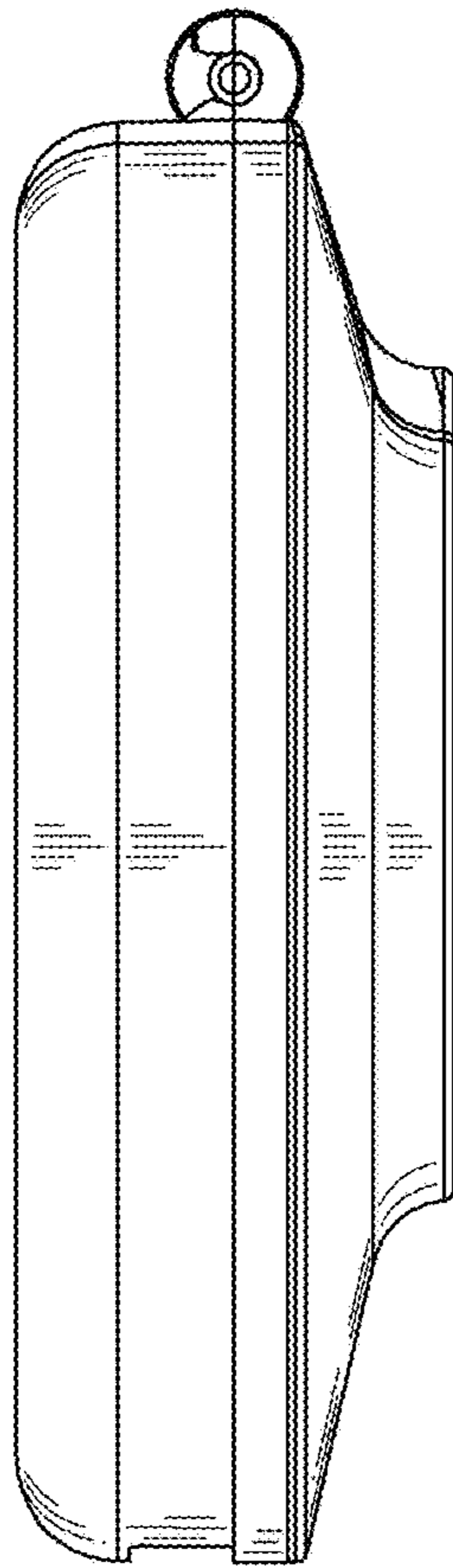


FIG. 5

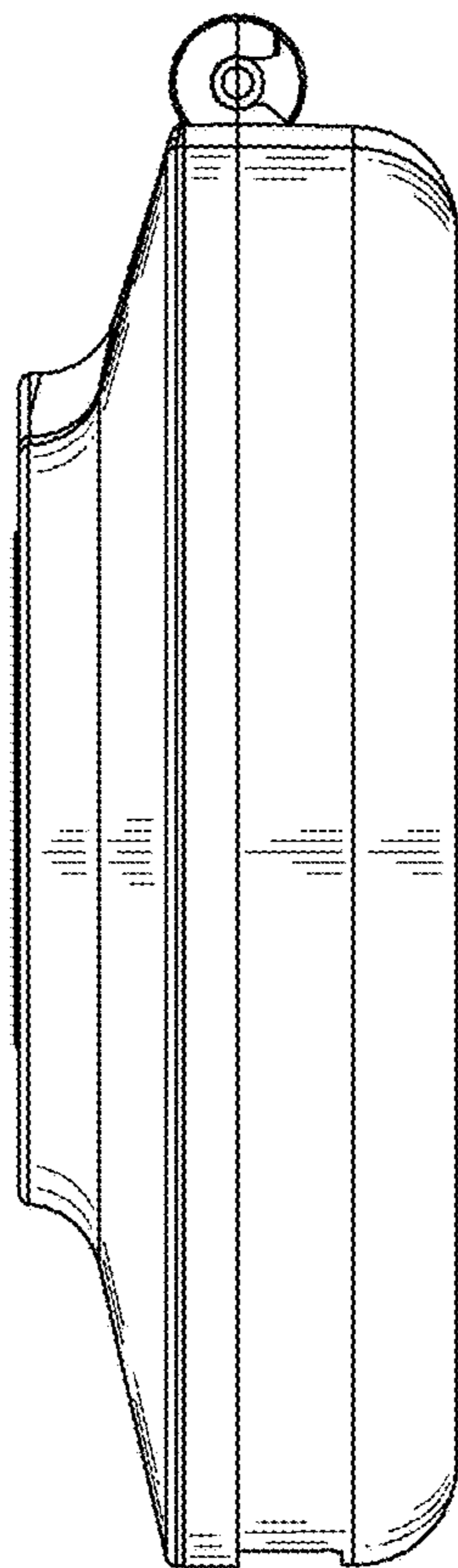


FIG. 6

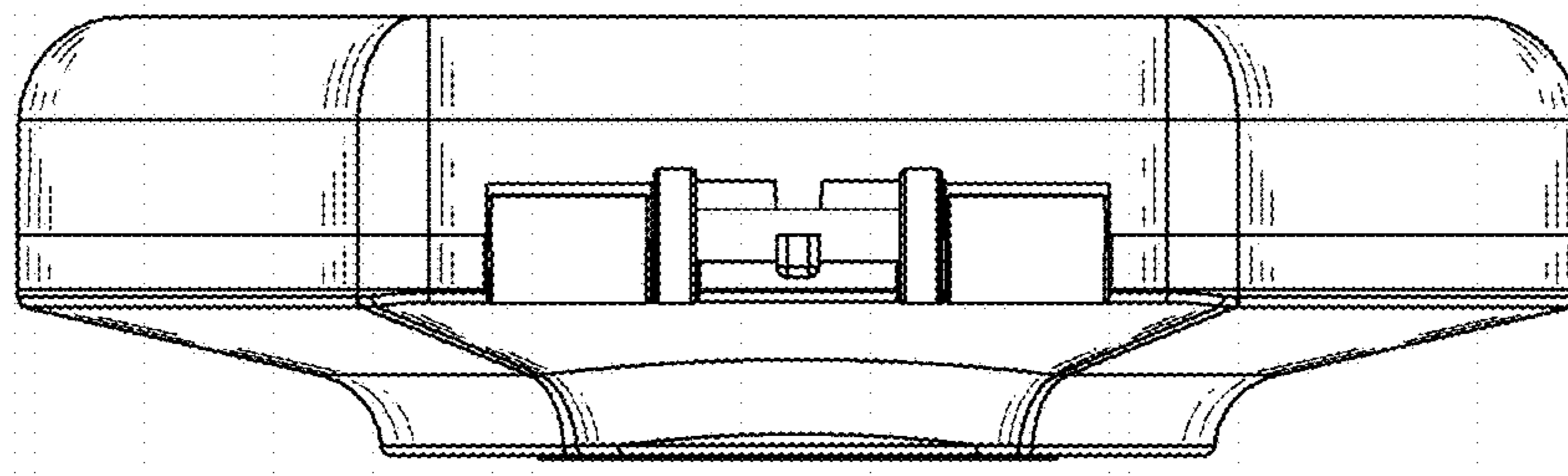




FIG. 7

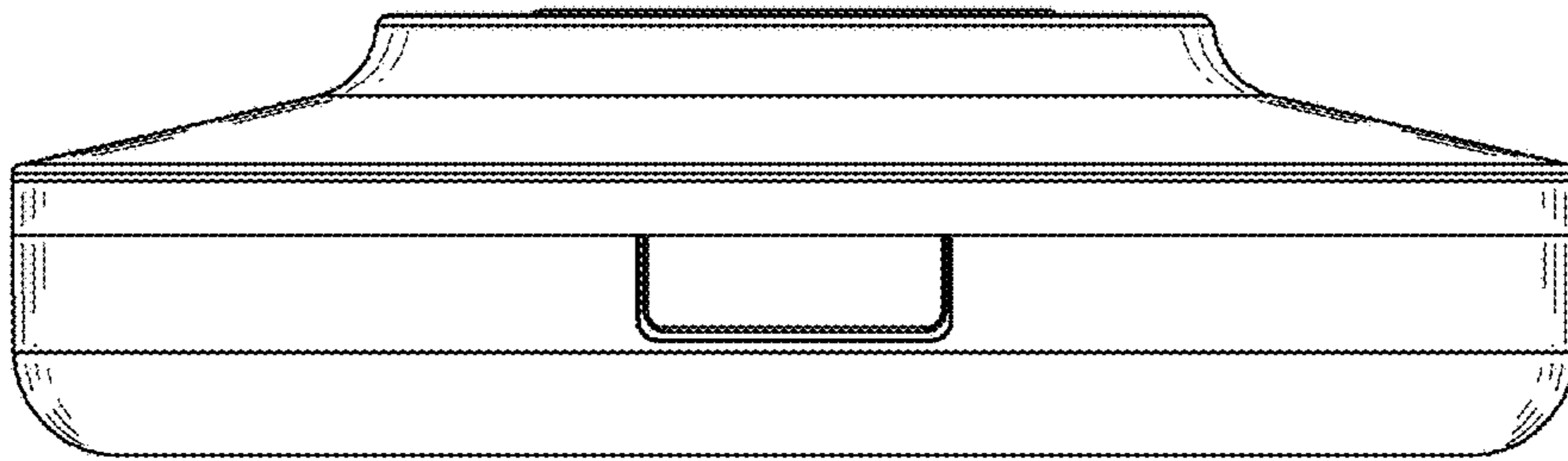


FIG. 8

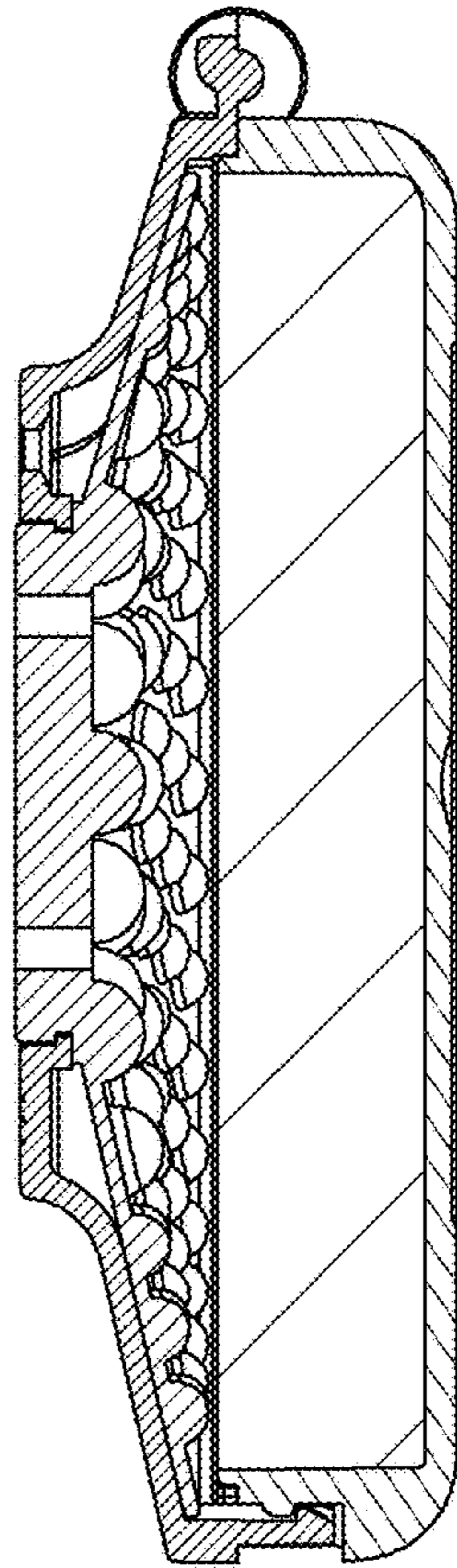


FIG. 9

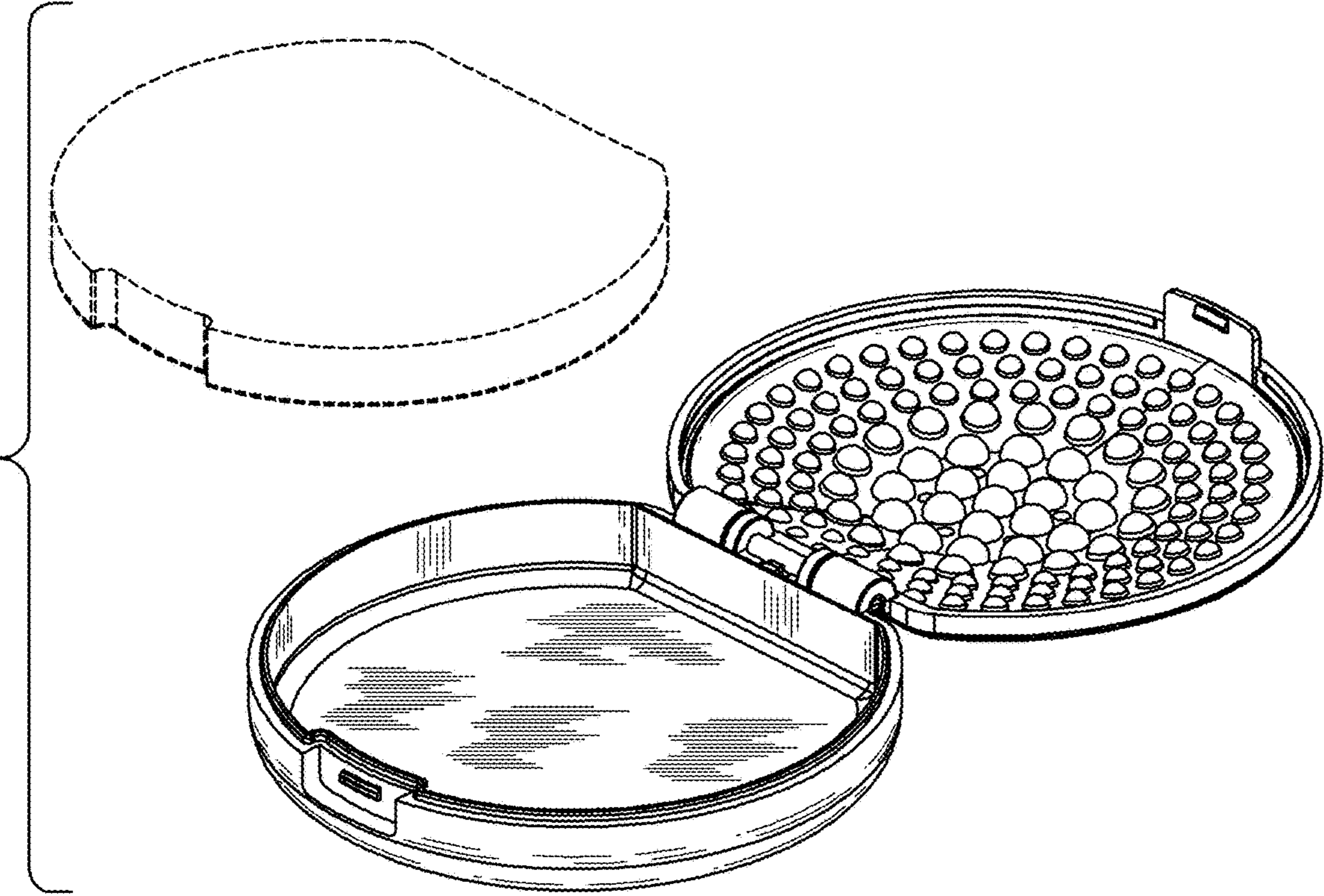


FIG. 10

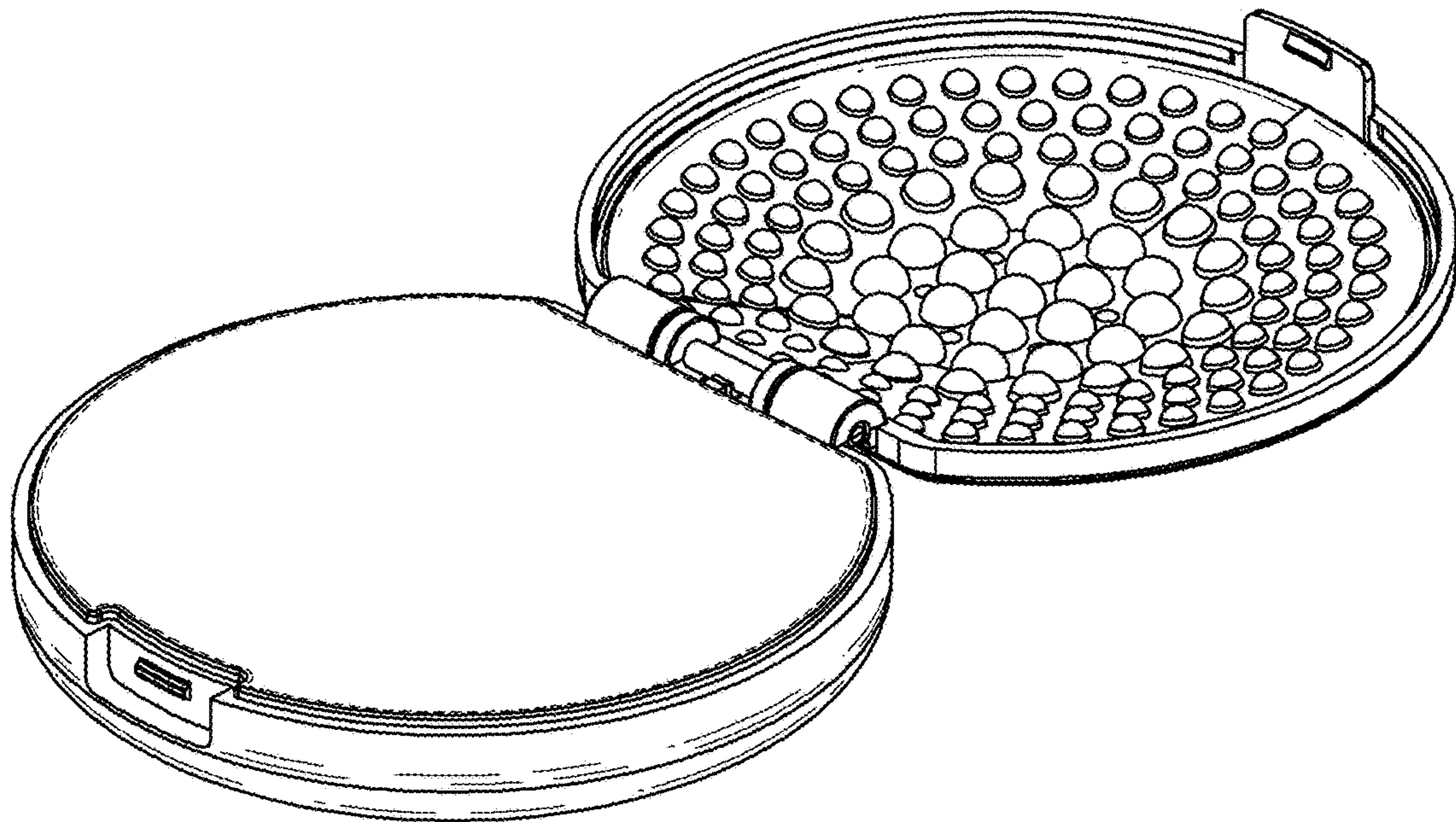


FIG. 11

