



US00D839520S

(12) **United States Design Patent**
Hribar-Green et al.

(10) **Patent No.:** **US D839,520 S**
(45) **Date of Patent:** **** Jan. 29, 2019**

(54) **PART OF A VACUUM CLEANER**

(71) Applicant: **Dyson Technology Limited**, Wiltshire (GB)

(72) Inventors: **Ashley James Hribar-Green**, Bristol (GB); **Stuart Lloyd Genn**, Swindon (GB)

(73) Assignee: **Dyson Technology Limited**, Malmesbury, Wiltshire (GB)

(**) Term: **15 Years**

(21) Appl. No.: **29/617,709**

(22) Filed: **Sep. 15, 2017**

(30) **Foreign Application Priority Data**

Mar. 16, 2017 (GB) 6009135

(51) **LOC (11) Cl.** **15-05**

(52) **U.S. Cl.**
USPC **D32/33**

(58) **Field of Classification Search**

USPC D32/31-34, 20-22, 38-39, 45
CPC A47L 9/02; A47L 9/04; A47L 9/06; A47L 9/0477; A47L 9/2842; A47L 9/0693; A47L 9/0444; A47L 9/0461; A47L 9/325; A47L 9/28; A47L 5/362; A47L 5/365; A47L 5/325; A47L 5/28; A47L 5/30; A47L 5/34; A47L 5/36; A47L 5/02; A47L 5/24; A47L 11/4044; E04H 4/1654; A46B 13/001; E01H 1/0854

See application file for complete search history.

(56) **References Cited**

U.S. PATENT DOCUMENTS

D649,725	S	*	11/2011	Fjellman	D32/32
D712,104	S	*	8/2014	Stickney	D32/32
D712,105	S	*	8/2014	Stickney	D32/33
8,966,711	B2	*	3/2015	Millington	A47L 9/02 15/327.1
D752,301	S	*	3/2016	Courtney	D32/32
D752,302	S	*	3/2016	Courtney	D32/32
D770,711	S	*	11/2016	Okada	D32/32
D814,724	S	*	4/2018	Courtney	D32/32

OTHER PUBLICATIONS

Hribar-Green et al., U.S. Office Action dated May 11, 2018, directed to U.S. Appl. No. 29/617,715; 7 pages.

* cited by examiner

Primary Examiner — Ruth McInroy

(74) *Attorney, Agent, or Firm* — Morrison & Foerster LLP

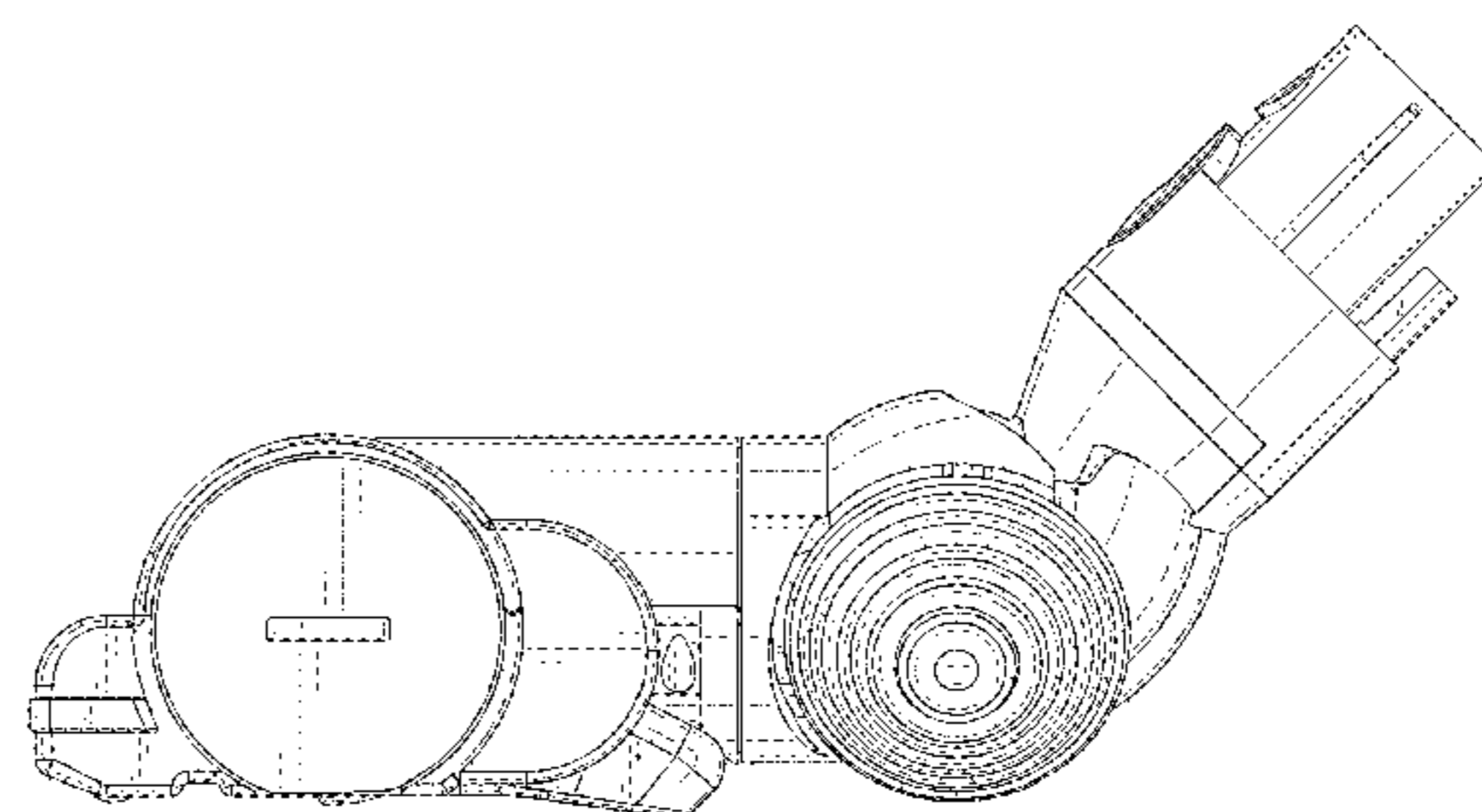
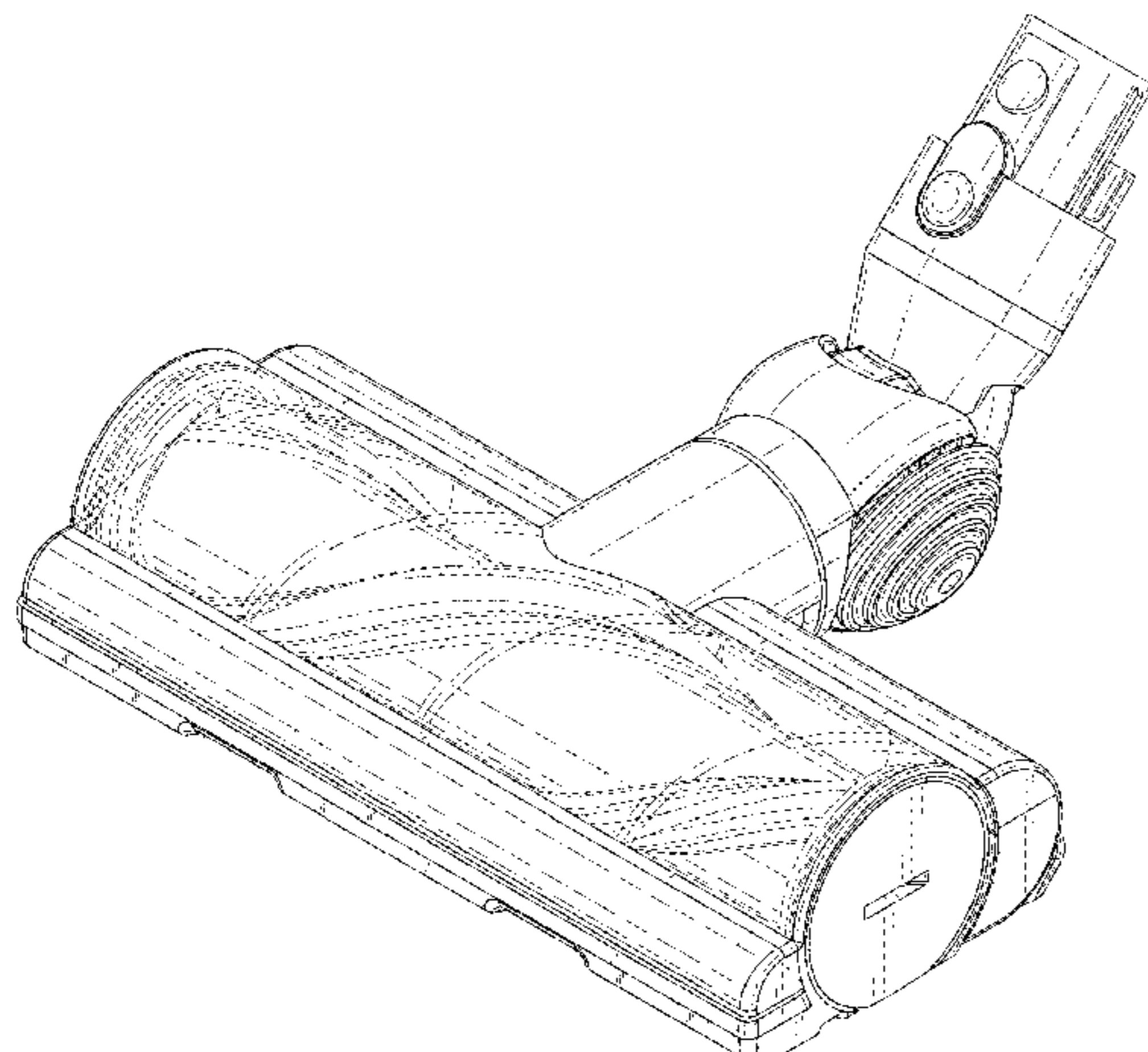
(57) **CLAIM**

We claim the ornamental design for a part of a vacuum cleaner, as shown and described.

DESCRIPTION

FIG. 1 is a perspective view of a part of a vacuum cleaner showing our new design;
FIG. 2 is a side view thereof;
FIG. 3 is a side view of the opposite side of FIG. 2;
FIG. 4 is a front view thereof;
FIG. 5 is a rear view thereof;
FIG. 6 is a top view thereof; and,
FIG. 7 is a bottom view thereof.

1 Claim, 7 Drawing Sheets



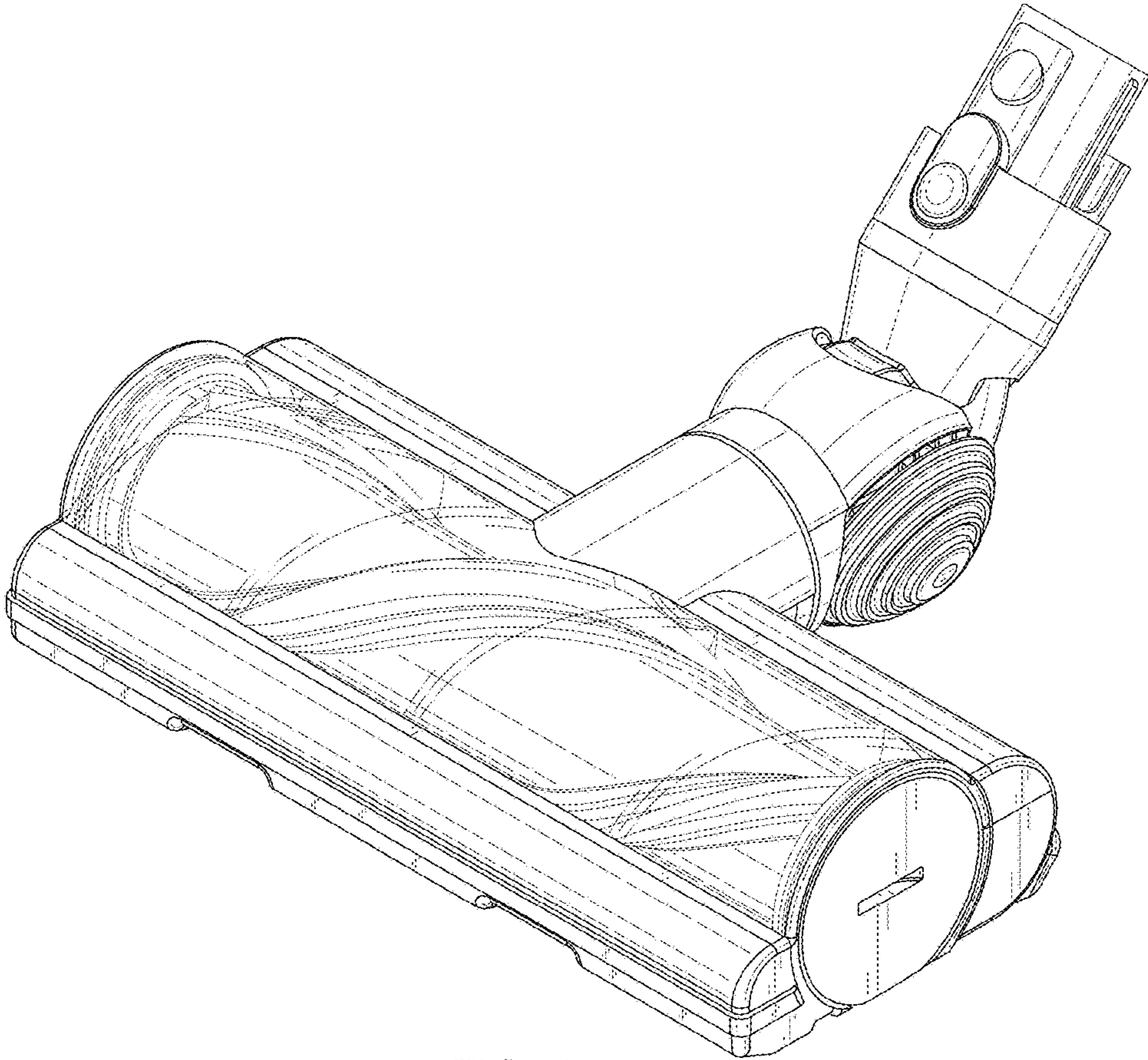


FIG. 1

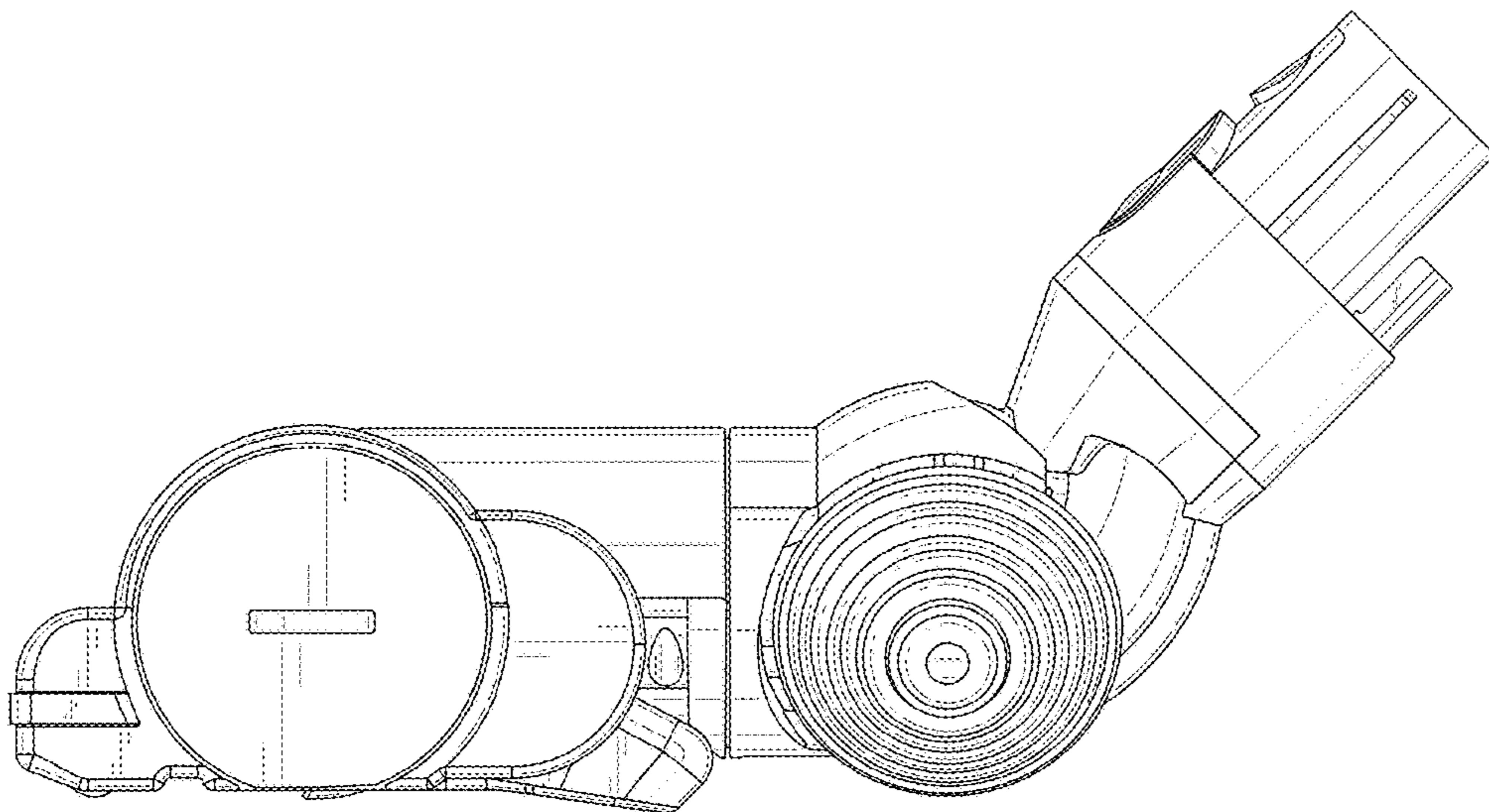


FIG. 2

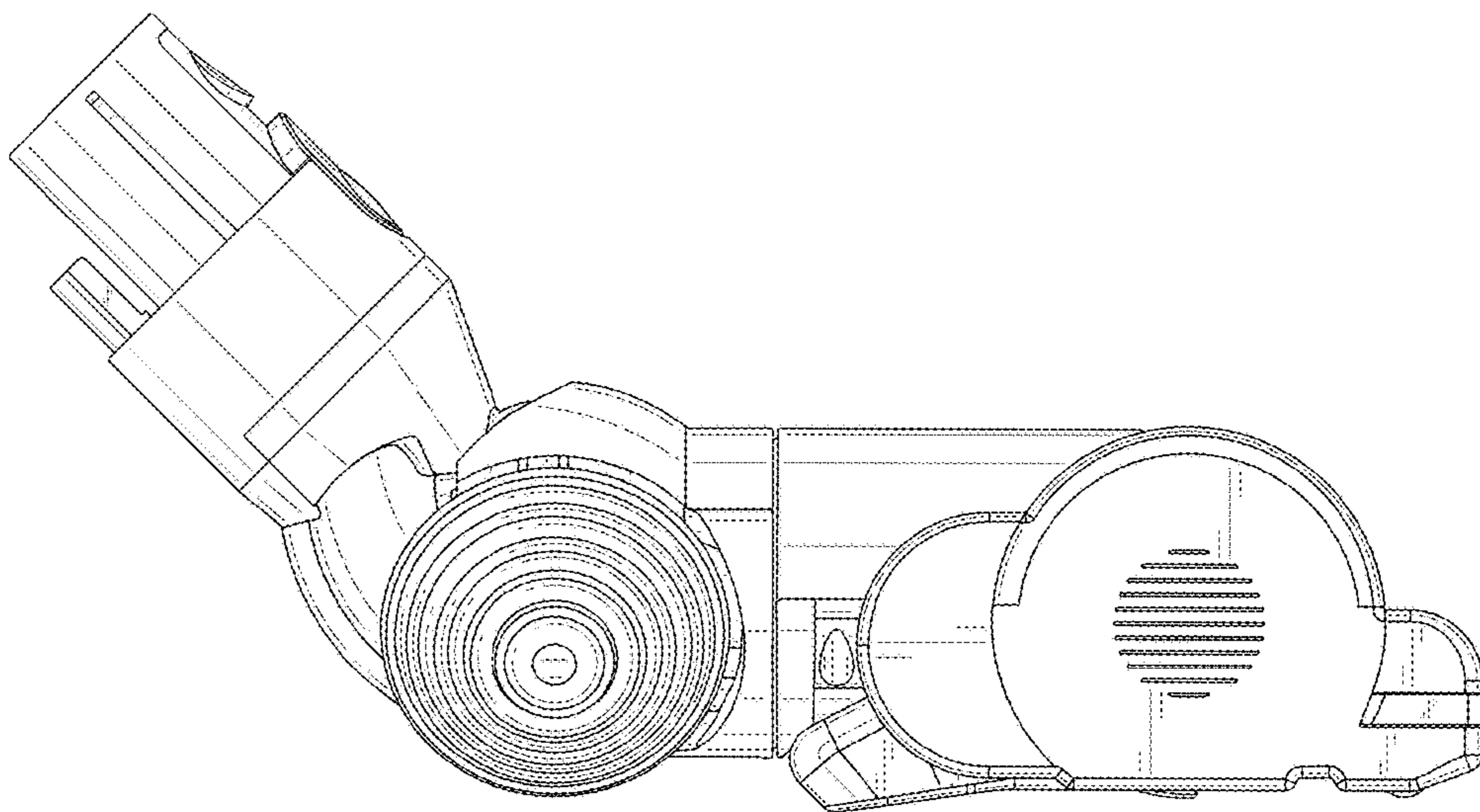


FIG. 3

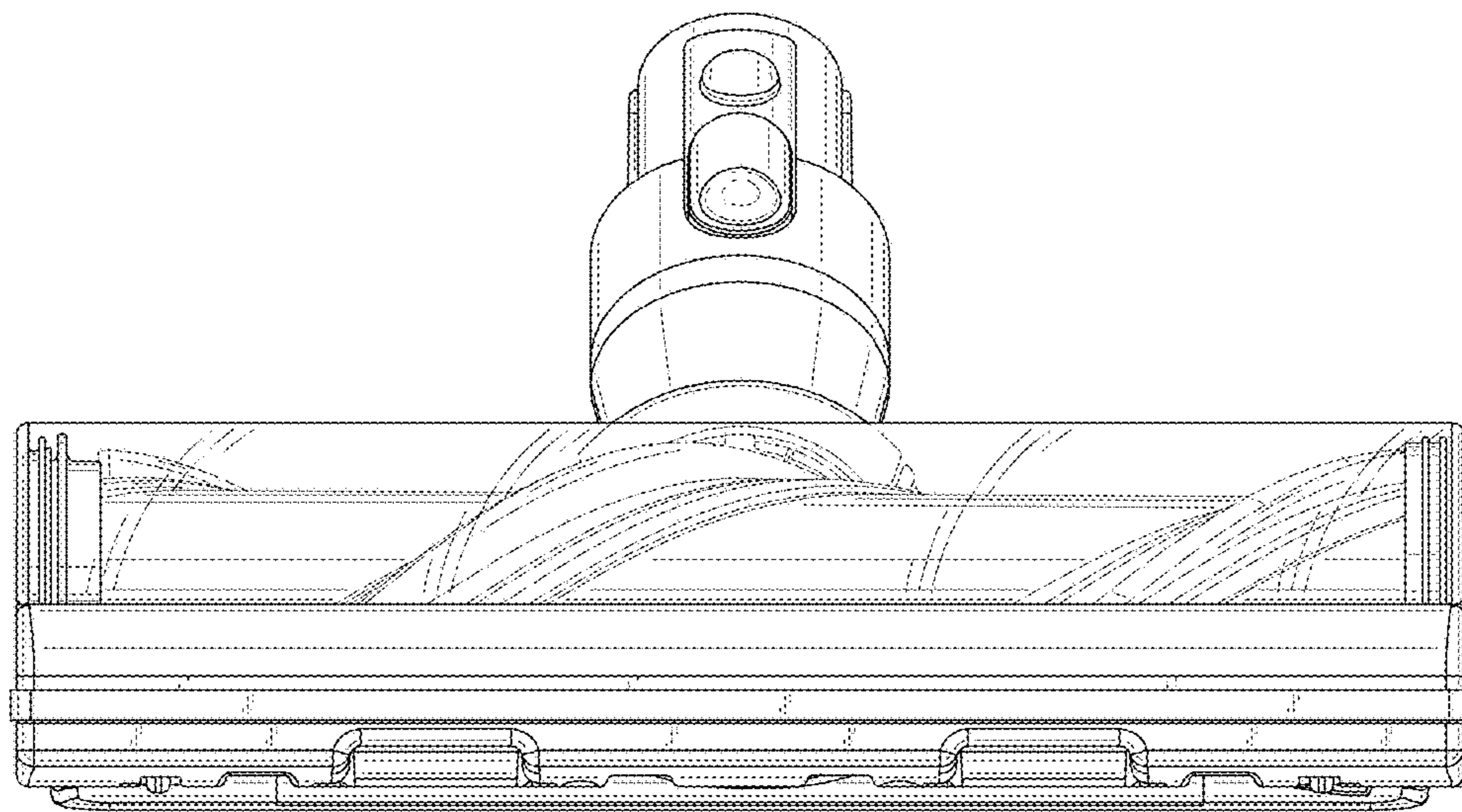


FIG. 4

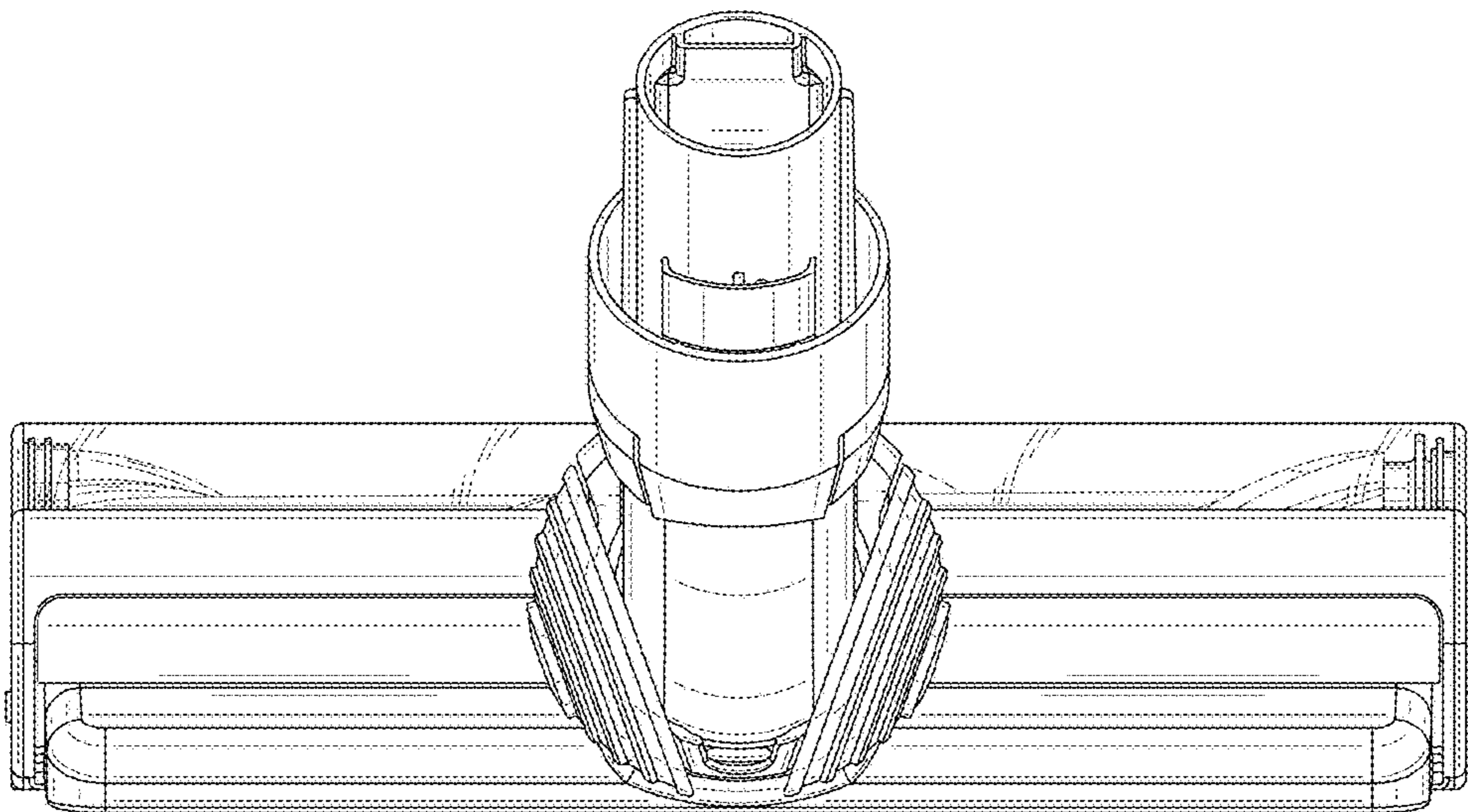


FIG. 5

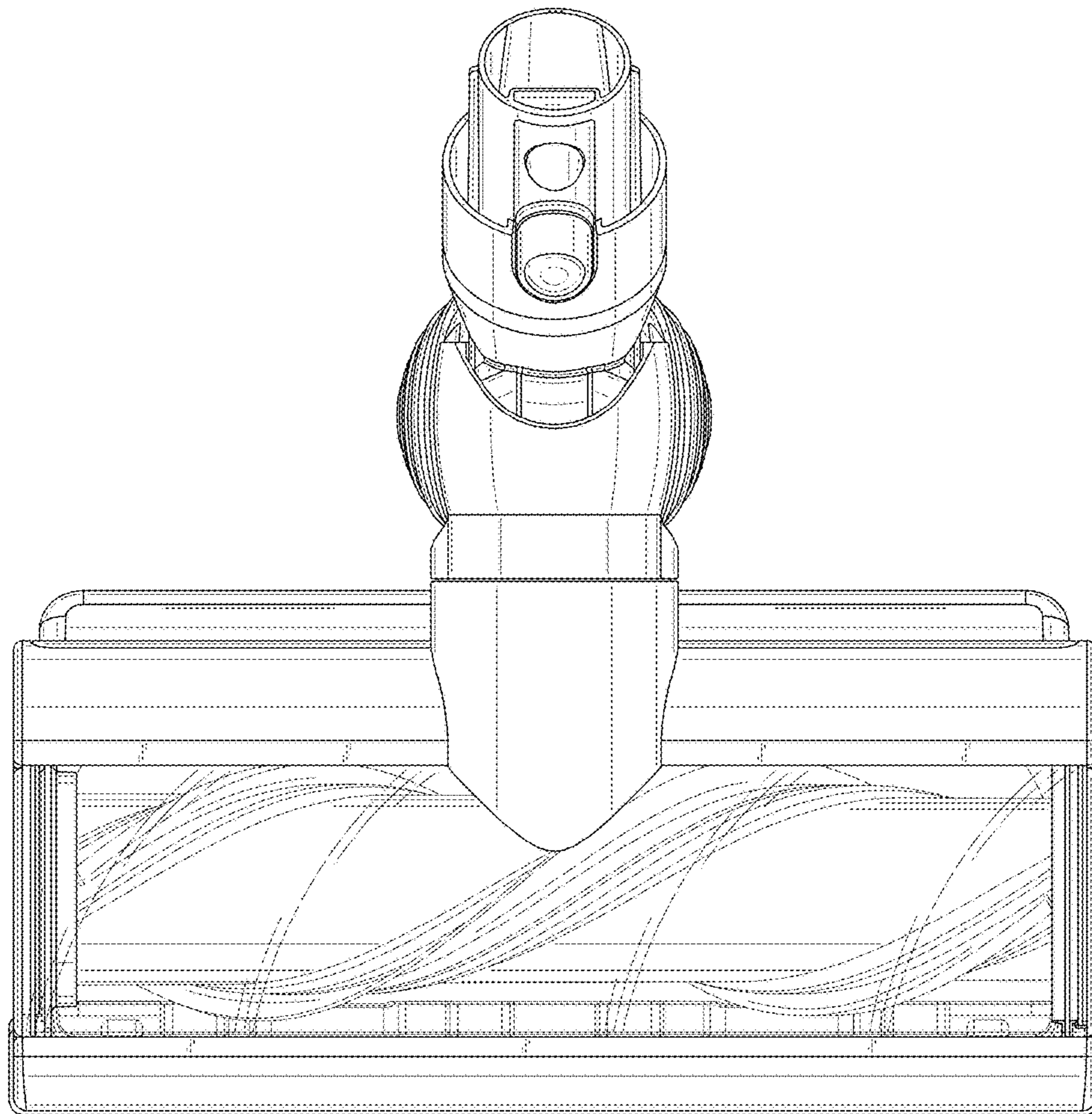


FIG. 6

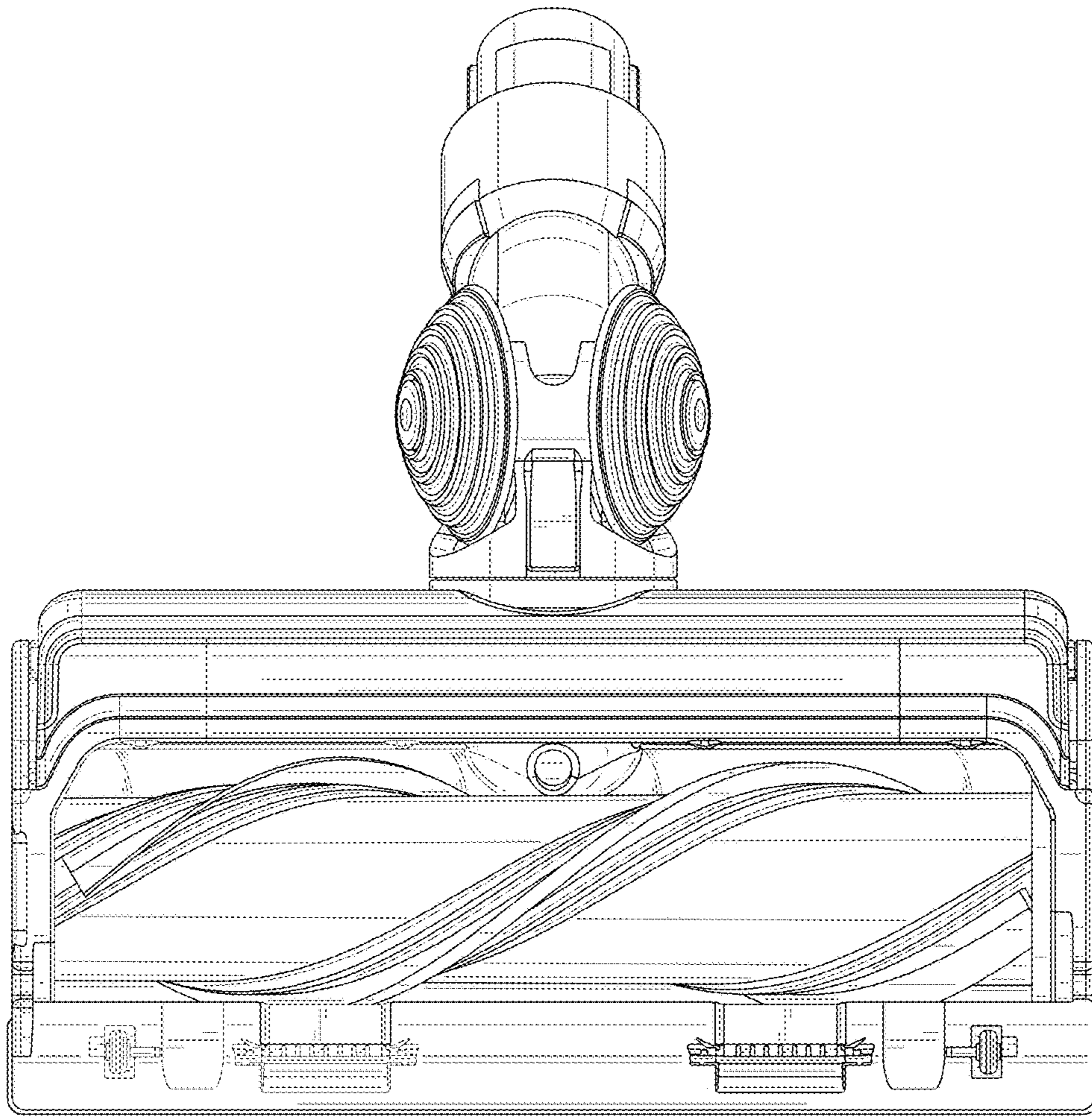


FIG. 7