



US00D839516S

(12) **United States Design Patent** (10) **Patent No.:** **US D839,516 S**  
**Yoo et al.** (45) **Date of Patent:** **\*\* Jan. 29, 2019**

(54) **LAUNDRY SINK**

(71) Applicant: **LG ELECTRONICS INC.**, Seoul (KR)

(72) Inventors: **Taewoo Yoo**, Seoul (KR); **Junghwan Lee**, Seoul (KR); **Kyungah Lee**, Seoul (KR); **Hyewon Kim**, Seoul (KR); **Jeaseok Seong**, Seoul (KR)

(73) Assignee: **LG ELECTRONICS INC.**, Seoul (KR)

(\*\*) Term: **15 Years**

(21) Appl. No.: **35/504,097**

(22) Filed: **Jun. 7, 2017**

(80) **Hague Agreement Data**

Int. Filing Date: **Jun. 7, 2017**

Int. Reg. No.: **DM/097614**

Int. Reg. Date: **Jun. 7, 2017**

Int. Reg. Pub. Date: **Dec. 8, 2017**

(30) **Foreign Application Priority Data**

Dec. 7, 2016 (KR) ..... 30-2016-0059349

(51) **LOC (11) Cl.** ..... **15-05**

(52) **U.S. Cl.**  
USPC ..... **D32/25**

(58) **Field of Classification Search**  
USPC ..... D32/2, 6-13, 55, 56, 58; D23/271, 273, D23/284, 286, 308

(Continued)

(56) **References Cited**

**U.S. PATENT DOCUMENTS**

D602,133 S \* 10/2009 Soulier ..... D23/284

D624,634 S \* 9/2010 Thomas ..... D23/286

(Continued)

*Primary Examiner* — George D. Kirschbaum

*Assistant Examiner* — Khawaja Anwar

(74) *Attorney, Agent, or Firm* — Birch, Stewart, Kolasch & Birch, LLP

(57) **CLAIM**

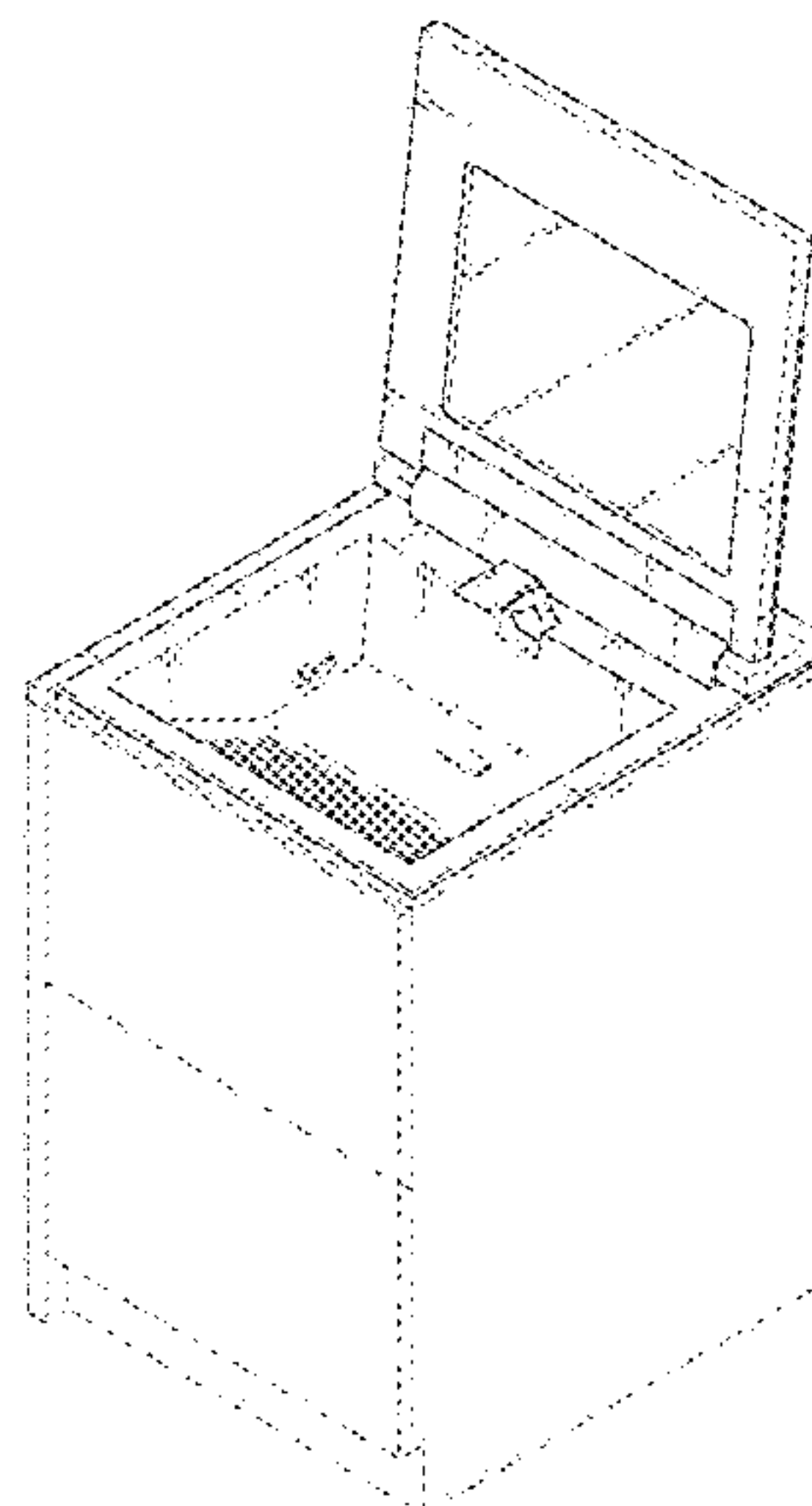
The ornamental design for a laundry sink, as shown and described.

**DESCRIPTION**

- 1. Laundry sink
- 1.1 : Perspective
- 1.2 : Front
- 1.3 : Back
- 1.4 : Left
- 1.5 : Right
- 1.6 : Top
- 1.7 : Bottom
- 1.8 : Perspective view 2
- 1.9 : Front view 2
- 1.10 : Back view 2
- 1.11 : Left view 2
- 1.12 : Right view 2
- 1.13 : Top view 2
- 1.14 : Bottom view 2

The broken lines depict portions of the laundry sink that form no part of the claimed design; the dash-dot broken lines define the bounds of the claimed design and form no part thereof; reproduction 1.1 is a front perspective view of the laundry sink; reproduction 1.8 is a front perspective view thereof in a condition that the top sink cover has been open; reproductions 1.2 and 1.9 are front views of reproductions 1.1 and 1.8, respectively; reproductions 1.3 and 1.10 are back views of reproductions 1.1 and 1.8, respectively; reproductions 1.4 and 1.11 are left views of reproductions 1.1 and 1.8, respectively; reproductions 1.5 and 1.12 are right views of reproductions 1.1 and 1.8, respectively; reproductions 1.6 and 1.13 are top views of reproductions 1.1 and 1.8, respectively; reproductions 1.7 and 1.14 are bottom views of reproductions 1.1 and 1.8, respectively.

**1 Claim, 14 Drawing Sheets**



(58) **Field of Classification Search**

CPC ..... D06F 33/02; D06F 39/14; D06F 37/304;  
D06F 39/005; D06F 39/12; D06F 37/04;  
D06F 39/02; D06F 29/00; D06F 37/203;  
D06F 37/28; D06F 37/30; D06F 58/02;  
D06F 2204/065; D06F 2222/00; D06F  
29/005; D06F 29/02; D06F 31/00; D06F  
33/00; D06F 37/10; D06F 37/12; D06F  
37/36; D06F 58/206; D06F 58/22; D06F  
58/24; D06F 17/08; D06F 1/04; D06F  
2058/2803; D06F 2202/00; D06F  
2202/02; D06F 2202/065; D06F 2202/12;  
D06F 2204/02; D06F 2207/086; D06F  
2224/00; D06F 2232/00; D06F 2232/08;  
D06F 23/04; D06F 35/00; D06F 35/005;  
D06F 35/006; D06F 35/007; D06F 37/00;  
D06F 37/02; D06F 37/225; D06F 37/263;  
D06F 37/266; D06F 37/268; D06F 37/40;  
D06F 37/42; D06F 39/003; D06F 39/004;  
D06F 39/007; D06F 39/08; D06F 39/088;

D06F 39/125; D06F 58/203; D06F 58/28;  
D06F 81/06

See application file for complete search history.

(56)

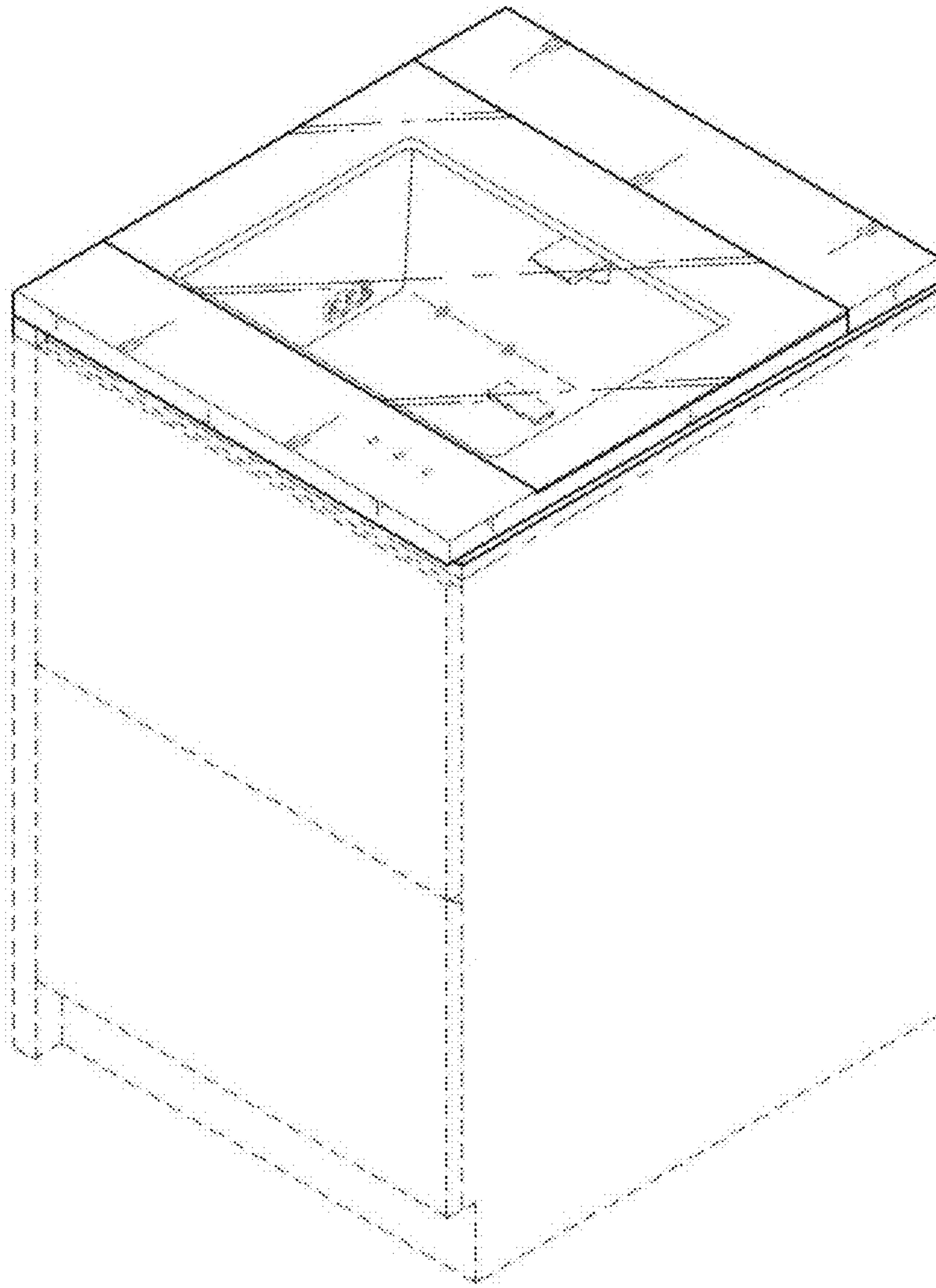
**References Cited**

U.S. PATENT DOCUMENTS

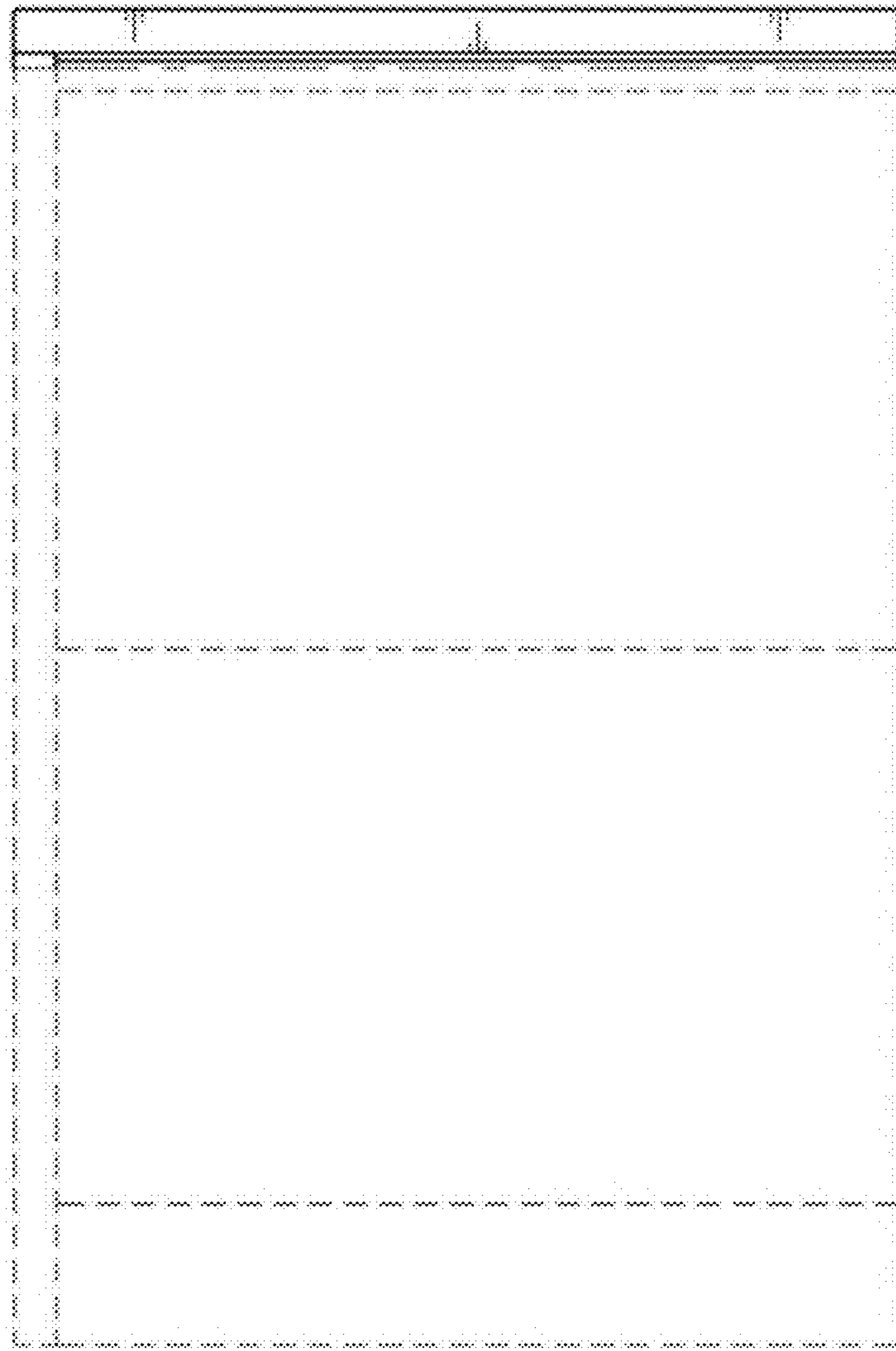
D675,300	S	*	1/2013	Miller	.....	D23/308
D777,889	S	*	1/2017	Danelon	.....	D23/286
D795,402	S	*	8/2017	Breda	.....	D23/284
D798,006	S	*	9/2017	Kang	.....	D32/6
D800,278	S	*	10/2017	Breda	.....	D23/284
D809,224	S	*	1/2018	Kim	.....	D32/6
D809,225	S	*	1/2018	Kim	.....	D32/6
D809,226	S	*	1/2018	Kim	.....	D32/6
D811,671	S	*	2/2018	Yoon	.....	D32/8
D813,359	S	*	3/2018	Corbetta	.....	D23/286
D813,361	S	*	3/2018	Krahn	.....	D23/308
D824,122	S	*	7/2018	Yoon	.....	D32/6
D826,489	S	*	8/2018	Yoon	.....	D32/6

\* cited by examiner

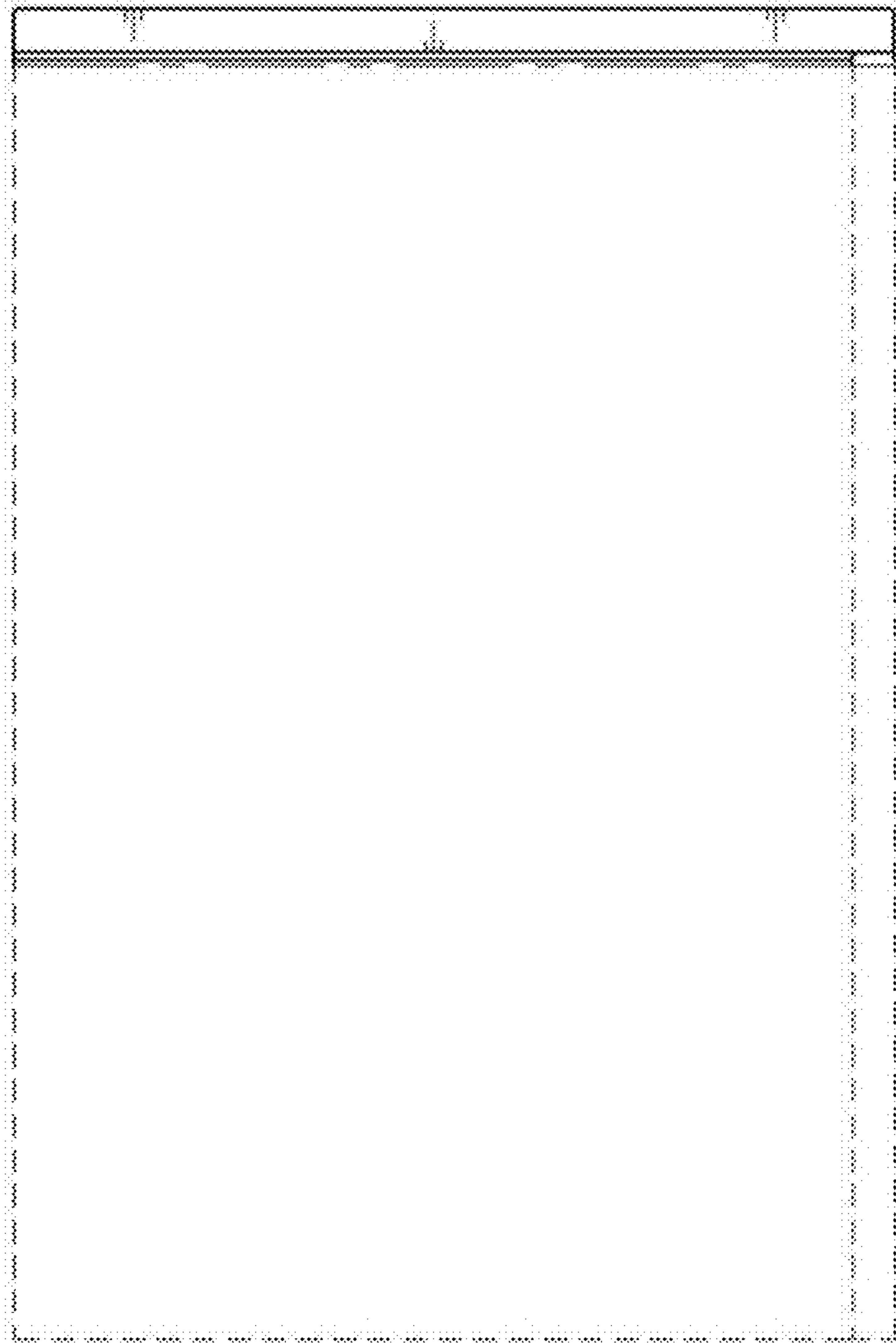
**1.1**



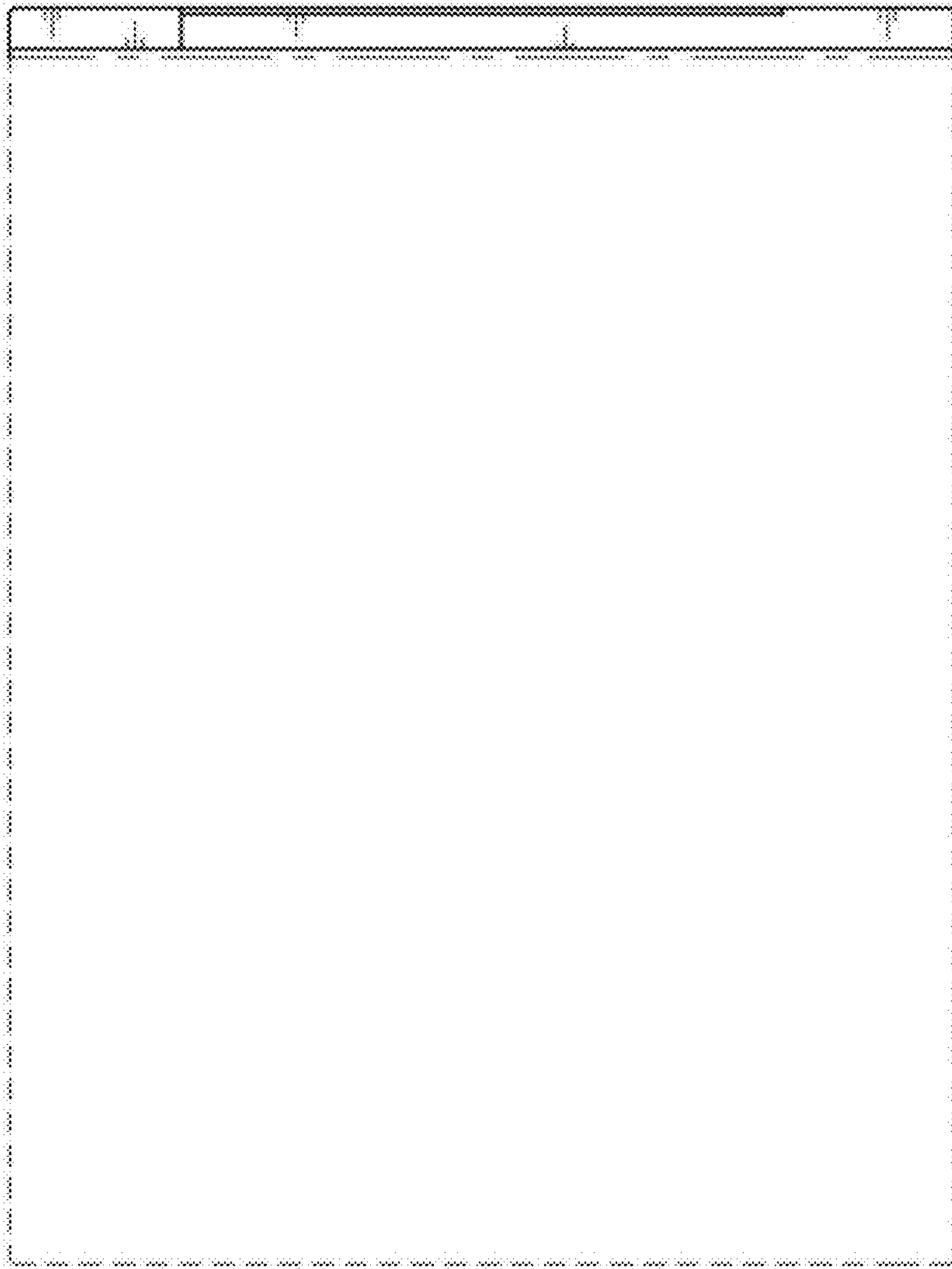
**1.2**



1.3

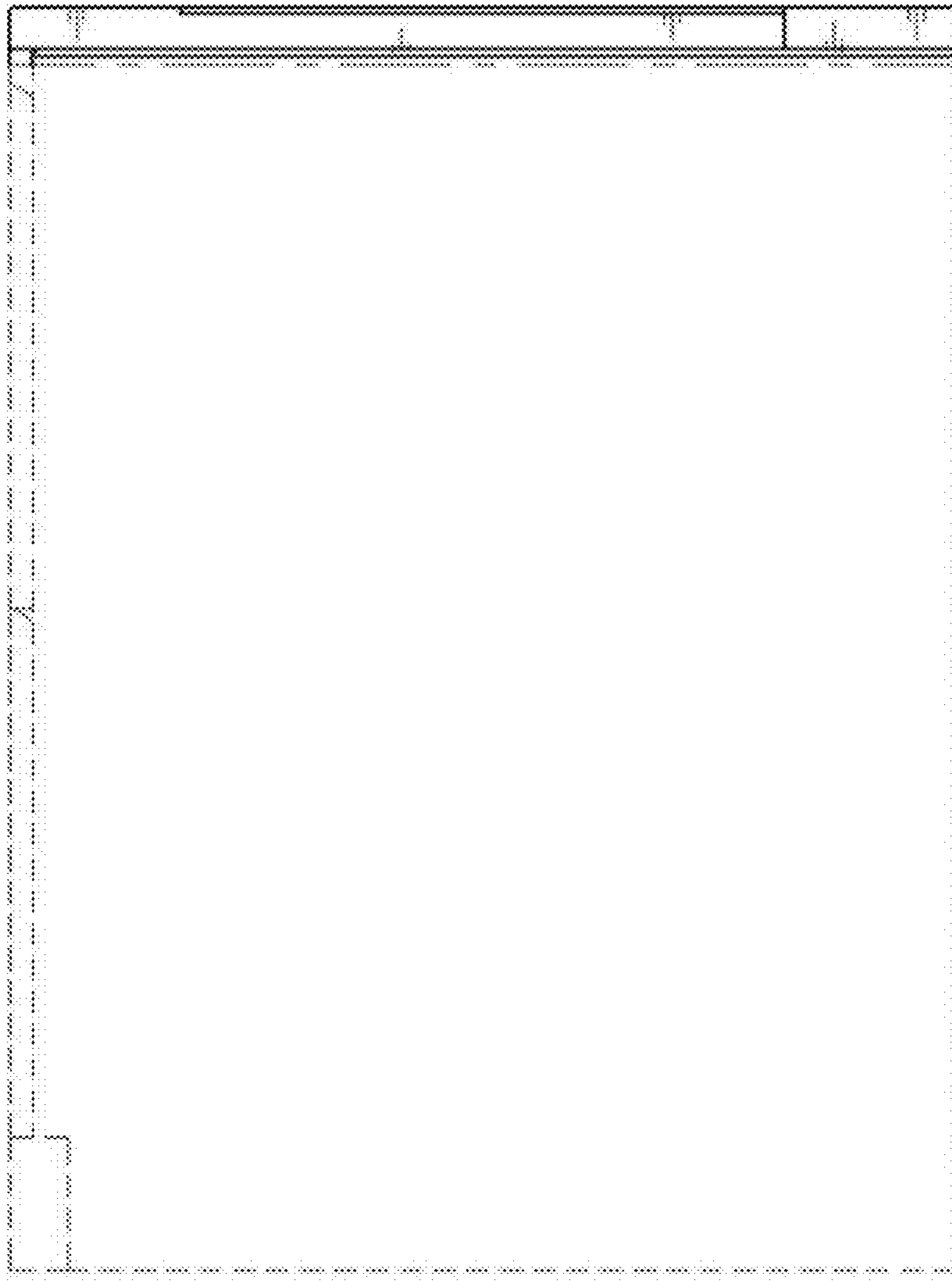


**1.4**

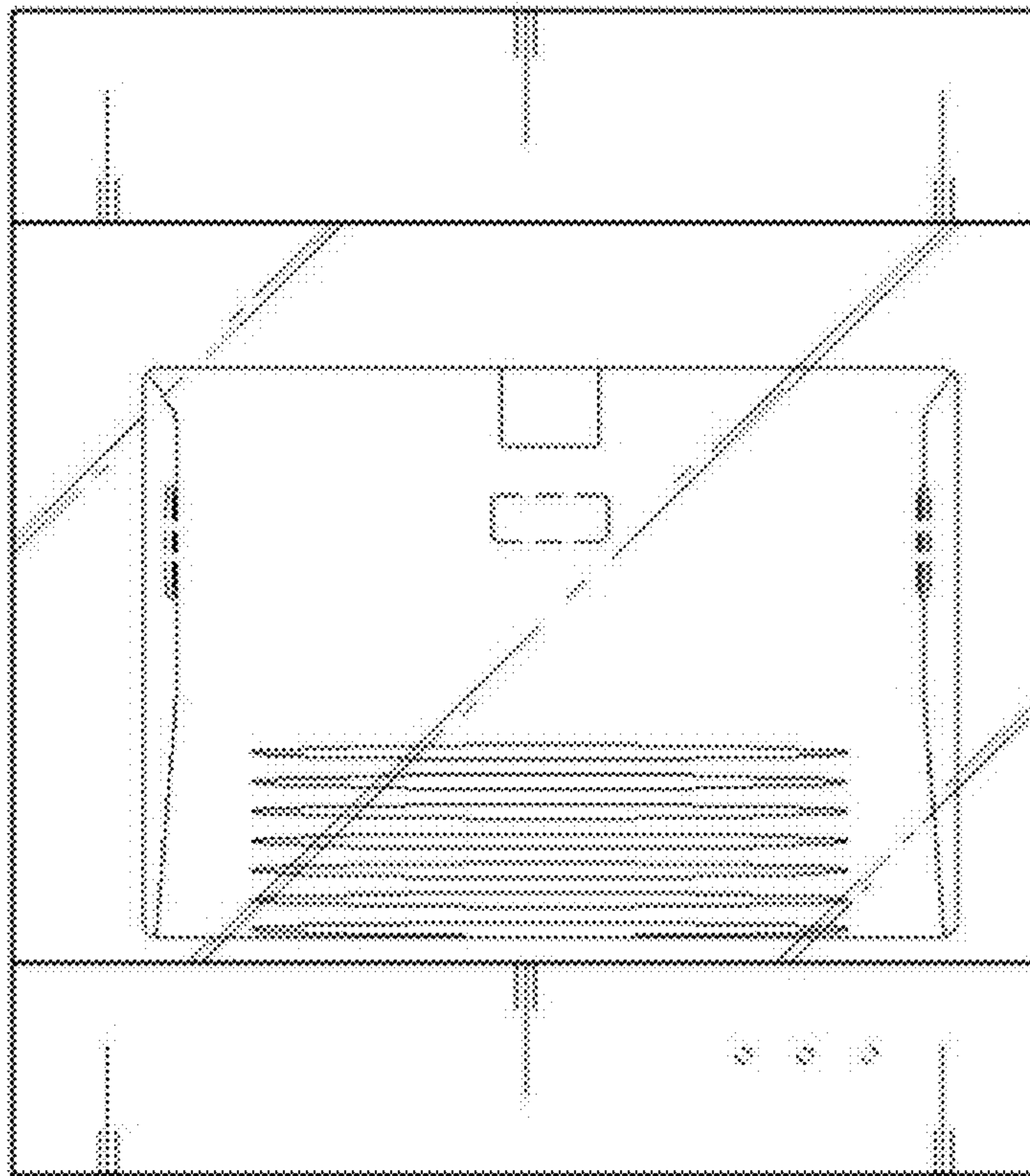




1.5

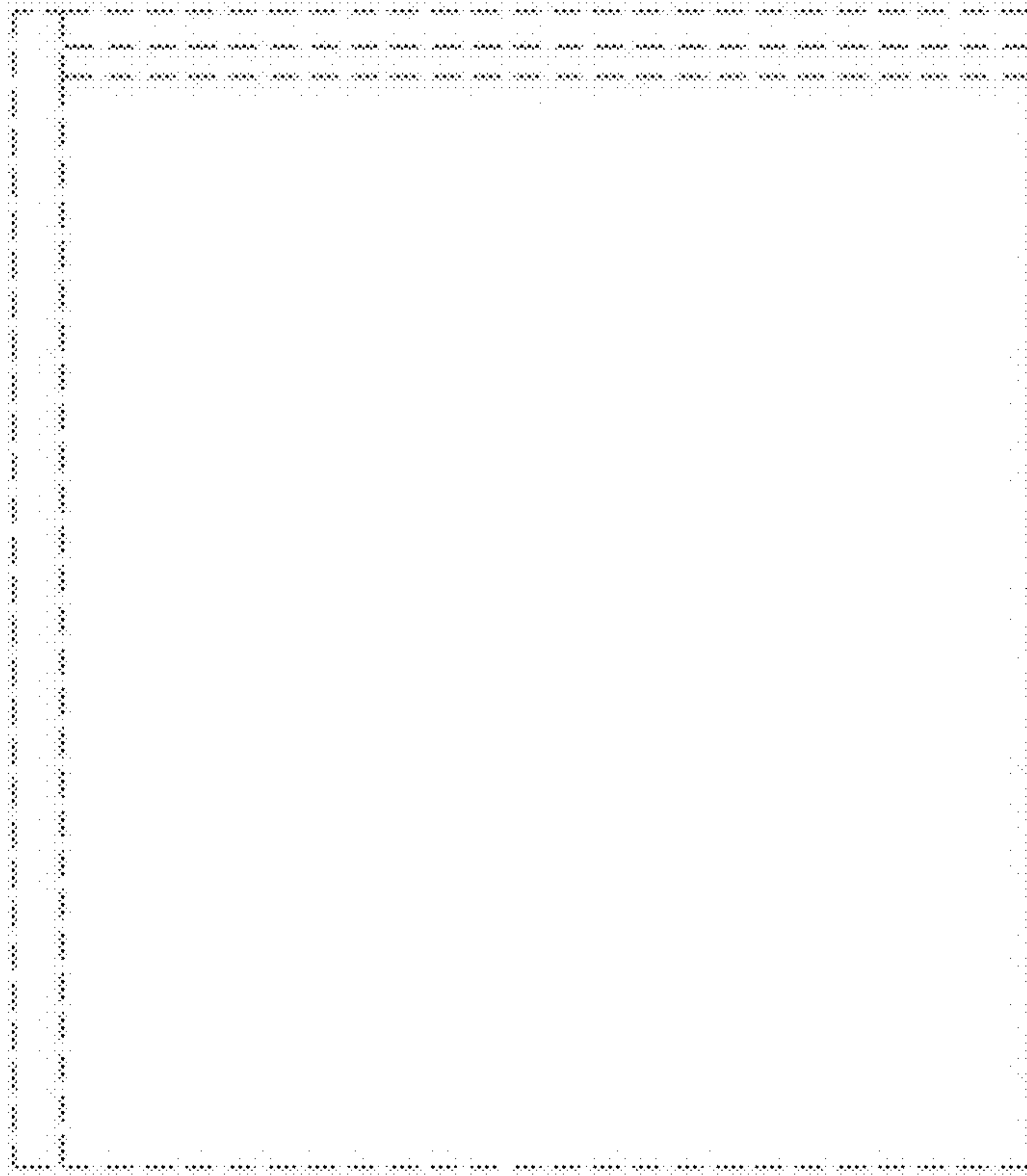


1.6

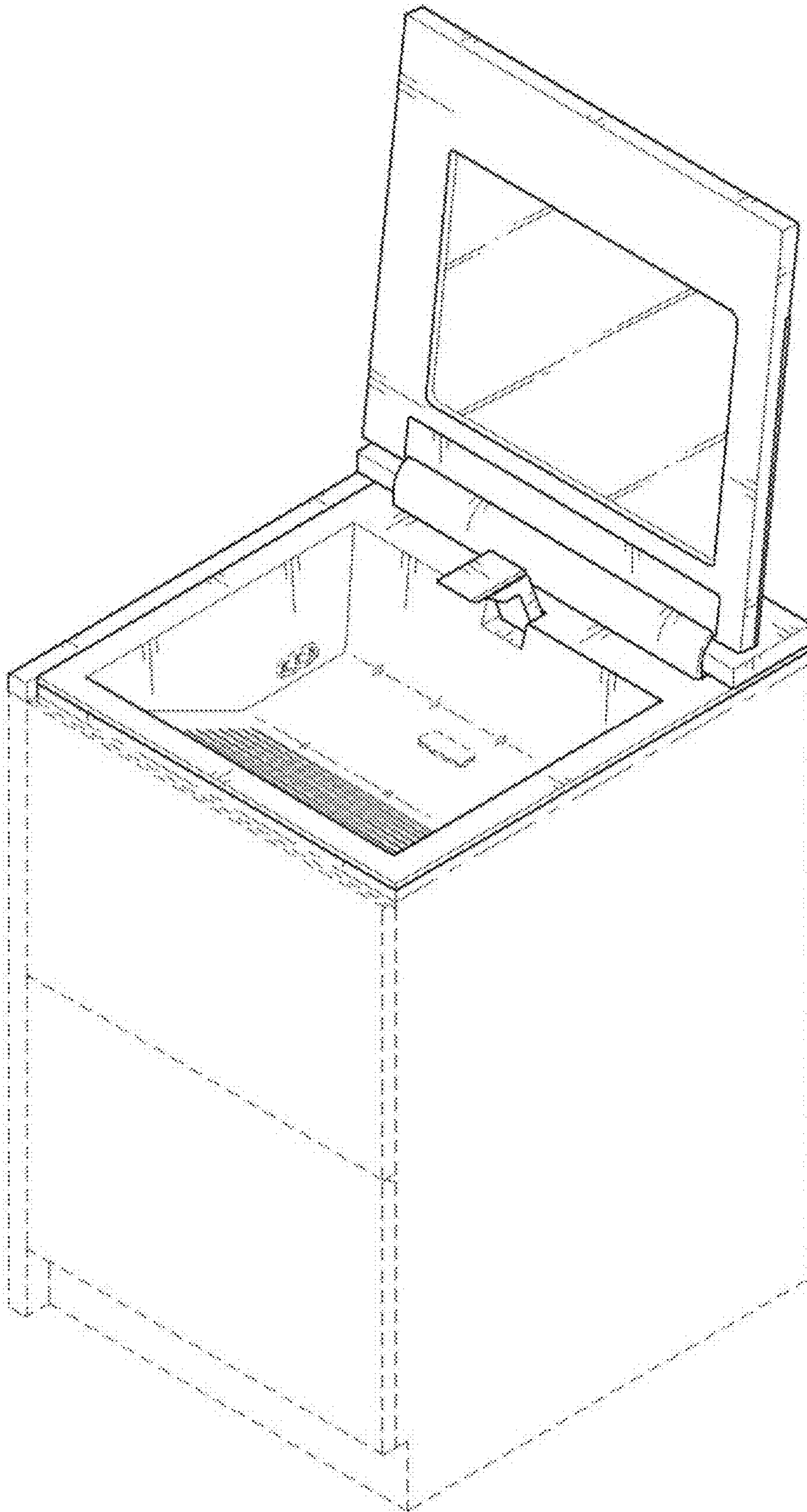




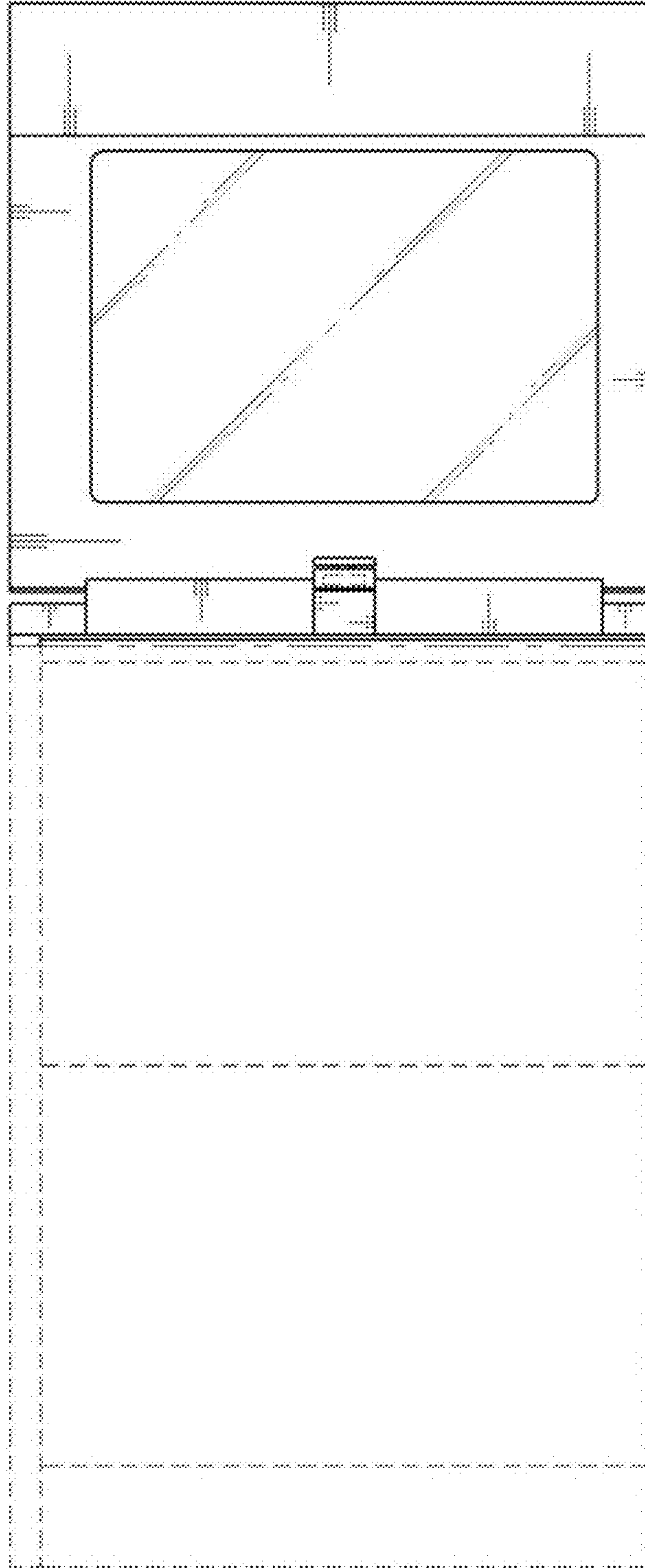
**1.7**



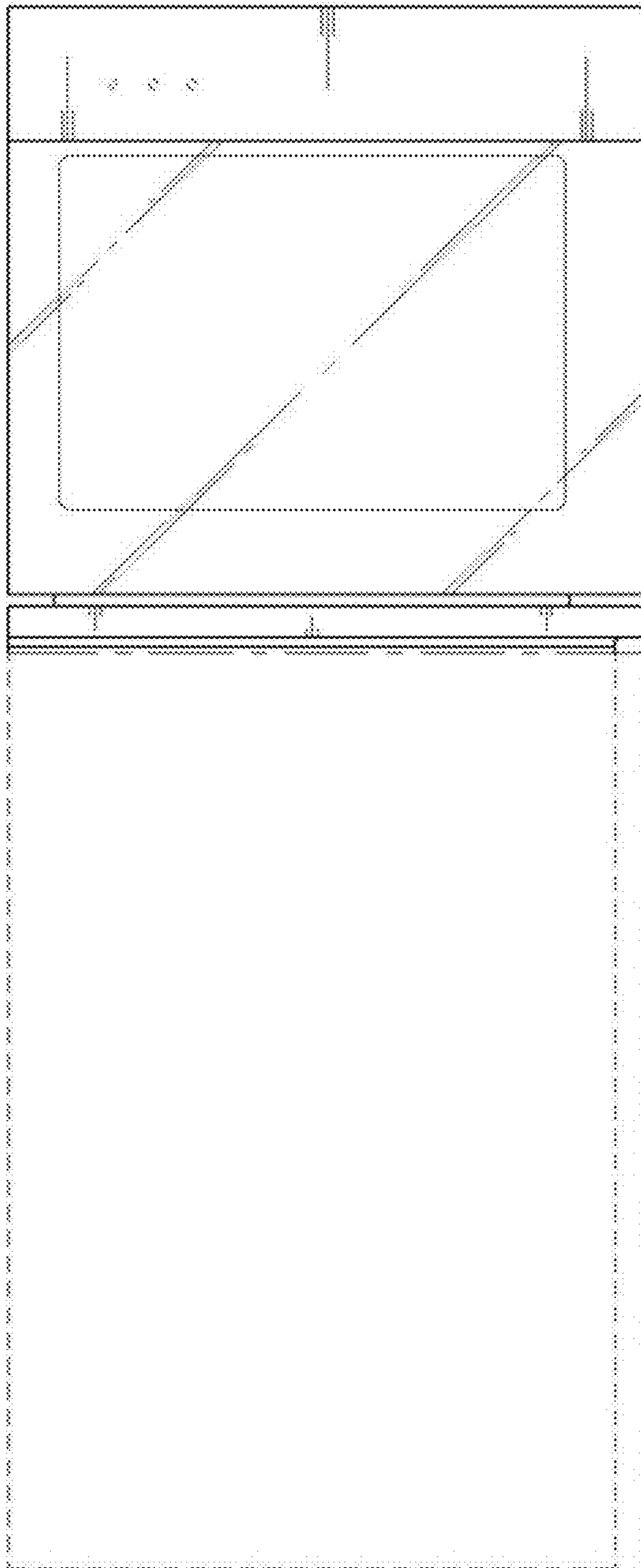
1.8



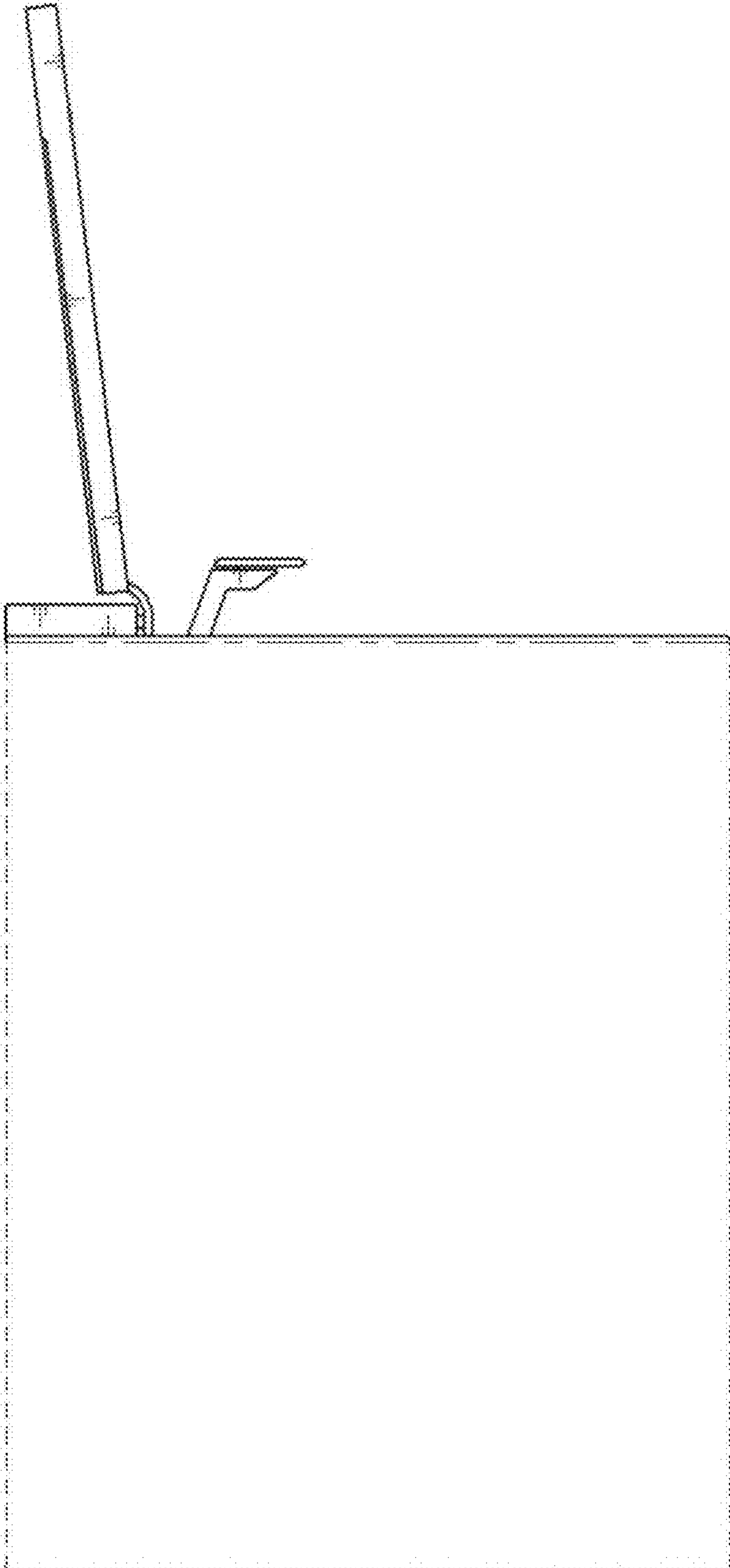
1.9



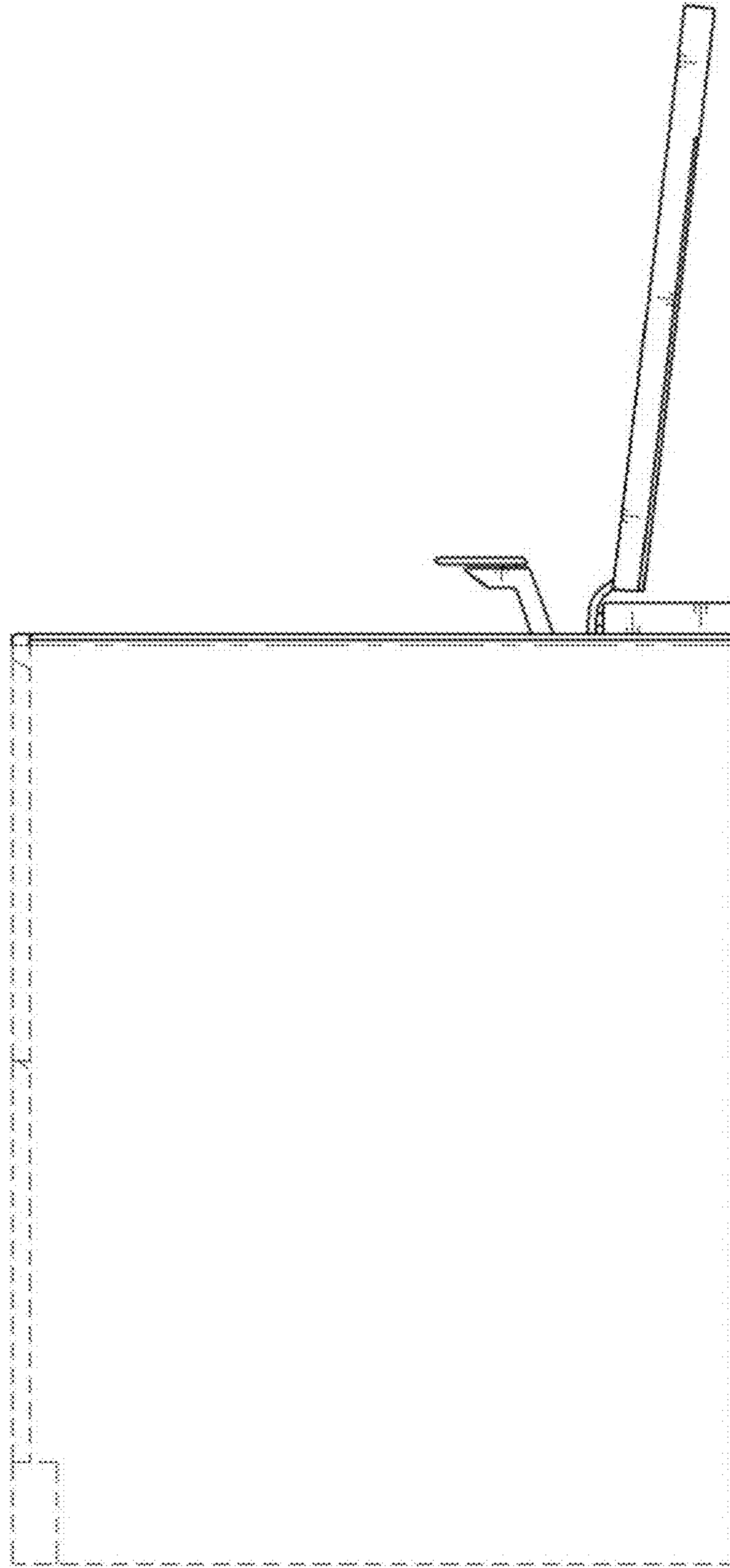
**1.10**



1.11

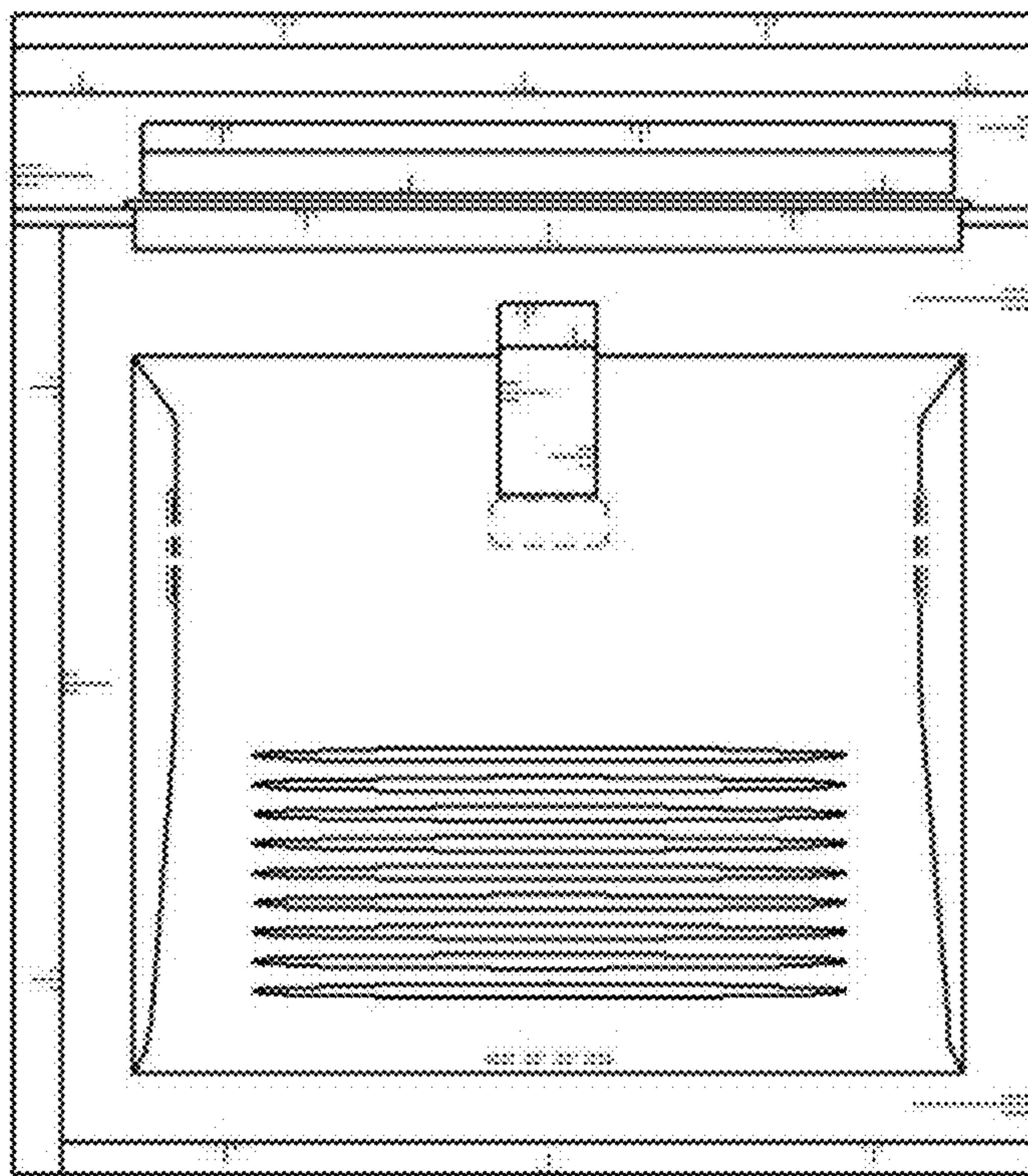


1.12





1.13



**1.14**

