



US00D839514S

(12) **United States Design Patent**
Kim et al.

(10) **Patent No.: US D839,514 S**
(45) **Date of Patent: ** Jan. 29, 2019**

(54) **DETERGENT INLET FOR WASHING MACHINE**

D06F 25/00; D06F 39/022; D06F 33/02;
D06F 2204/065; D06F 35/006

See application file for complete search history.

(71) Applicant: **LG ELECTRONICS INC.**, Seoul
(KR)

(56) **References Cited**

U.S. PATENT DOCUMENTS

(72) Inventors: **Myungshik Kim**, Seoul (KR); **Nerry Son**, Seoul (KR); **Hyejin Lee**, Seoul (KR); **Byeongkook Kim**, Seoul (KR); **Yoonji Lee**, Seoul (KR)

4,444,730	A *	4/1984	Renders	D06F 39/02 422/264
4,530,370	A *	7/1985	Horky	A01J 7/022 134/57 R
4,774,014	A *	9/1988	Kuenzel	C11D 17/0052 206/524.5
D306,224	S *	2/1990	Nystuen	D32/3
4,917,272	A *	4/1990	Ikeda	B65D 88/68 222/231
D319,781	S *	9/1991	Halm	D23/366
5,063,757	A *	11/1991	Ikeda	D06F 39/026 222/236
5,271,251	A *	12/1993	Kovich	D06F 35/006 68/171
5,297,596	A *	3/1994	Anson	B67C 11/02 141/331
D352,578	S *	11/1994	Mooney	D32/3
5,460,018	A *	10/1995	Werner	D06F 23/04 475/163

(73) Assignee: **LG ELECTRONICS INC.**, Seoul
(KR)

(**) Term: **15 Years**

(21) Appl. No.: **35/502,985**

(22) Filed: **Nov. 15, 2016**

(80) **Hague Agreement Data**

Int. Filing Date: **Nov. 15, 2016**
Int. Reg. No.: **DM/093539**
Int. Reg. Date: **Nov. 15, 2016**
Int. Reg. Pub. Date: **May 19, 2017**

(Continued)

Primary Examiner — Michael A. Pratt
(74) *Attorney, Agent, or Firm* — Birch, Stewart, Kolasch & Birch, LLP

(57) **CLAIM**

The ornamental design for a detergent inlet for washing machine, as shown and described.

(30) **Foreign Application Priority Data**

Jun. 8, 2016 (KR) 30-2016-0027633

(51) **LOC (11) Cl.** **15-05**

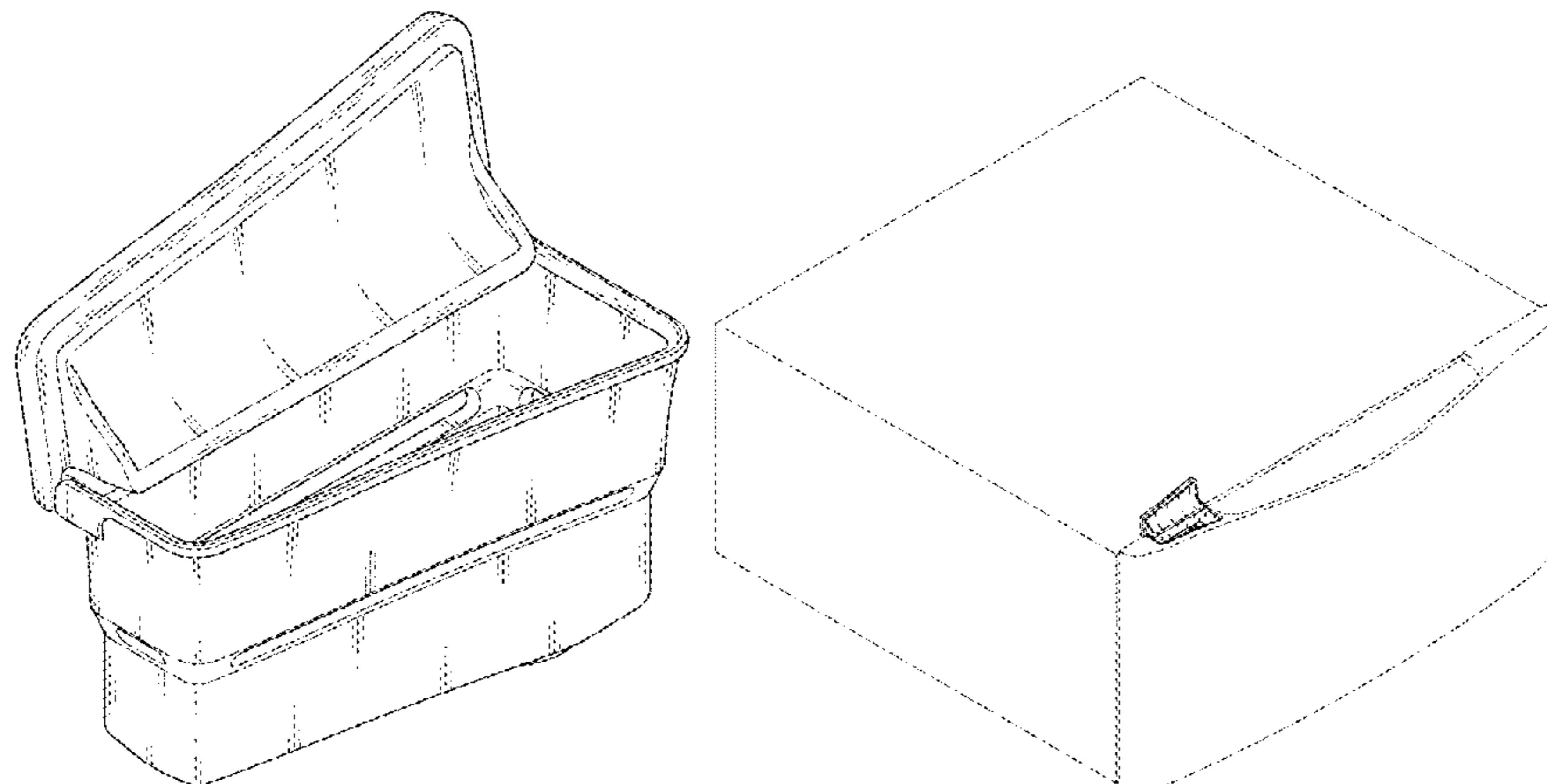
(52) **U.S. Cl.**
USPC **D32/25**

(58) **Field of Classification Search**
USPC D32/5, 6, 8, 22, 25
CPC D06F 39/045; D06F 29/00; D06F 29/005;

DESCRIPTION

1. Detergent inlet for washing machine
- 1.1 is a perspective view of a detergent inlet for washing machine, showing our new design;
- 1.2 is a front elevation view thereof;
- 1.3 is a rear elevation view thereof;
- 1.4 is a left-side elevation view thereof;
- 1.5 is a right-side elevation view thereof;
- 1.6 is a top plan view thereof;

(Continued)



1.7 is a bottom plan view thereof; and,
1.8 is a perspective view thereof, in a use condition.
The broken line shown in figure 1.8 is included for the
purpose of illustrating environment and forms no part of the
claimed design.

1 Claim, 8 Drawing Sheets

(56)

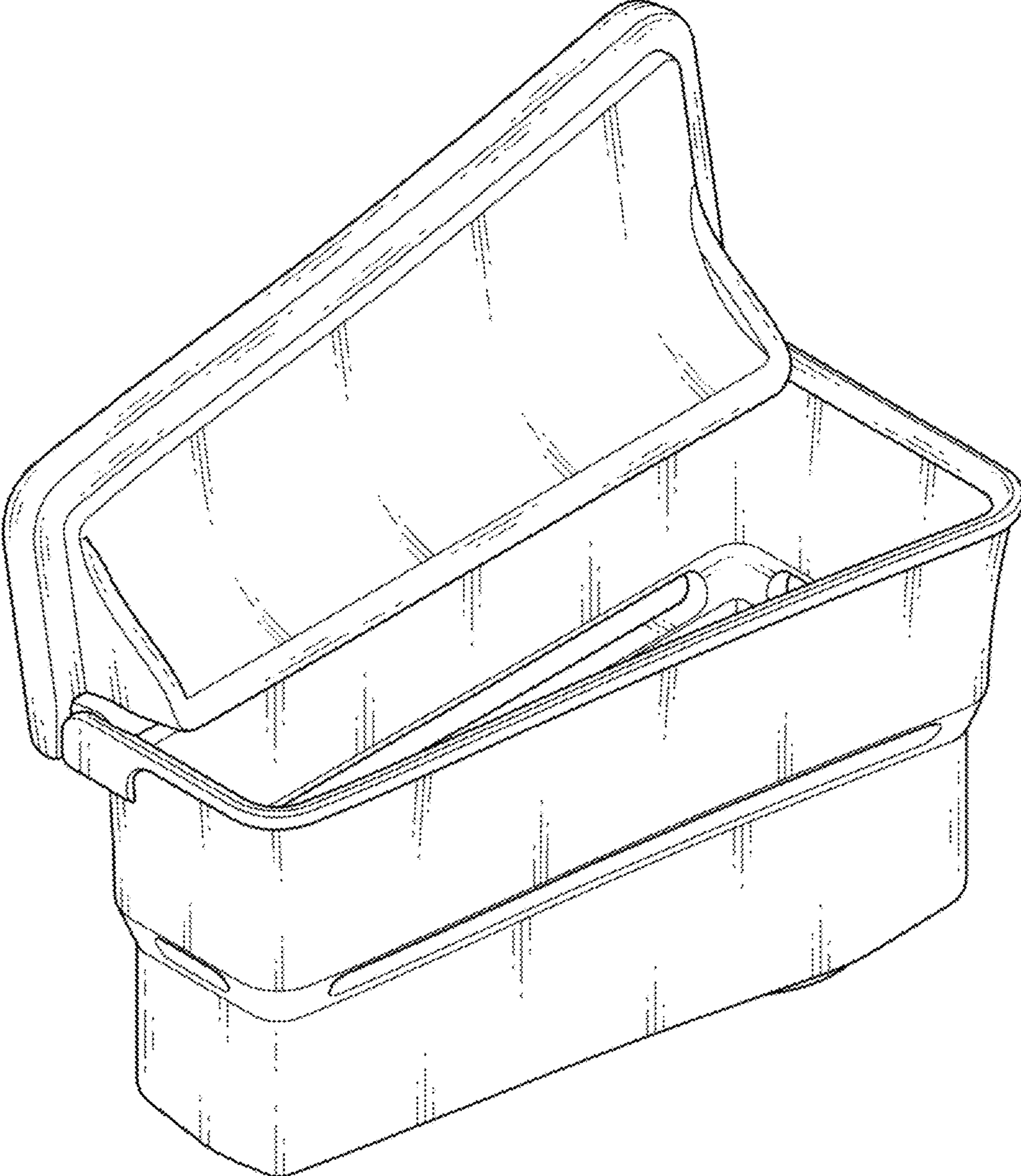
References Cited

U.S. PATENT DOCUMENTS

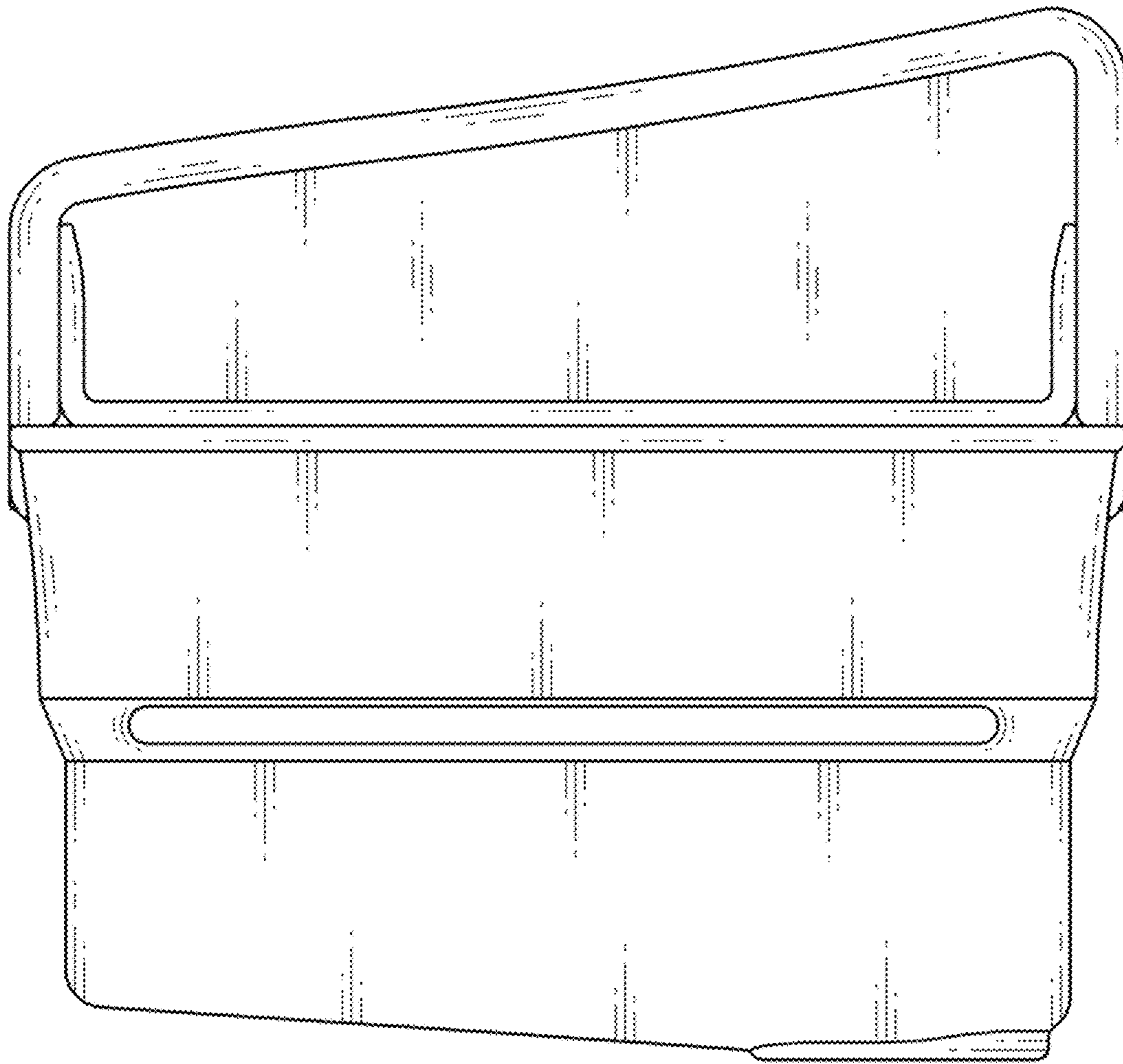
2004/0025263 A1* 2/2004 Kim D06F 35/003
8/159
2006/0059958 A1* 3/2006 Byrne A47L 15/4418
68/17 R
2010/0095712 A1* 4/2010 Kim D06F 39/02
68/12.18
2015/0252514 A1* 9/2015 Seo D06F 39/028
68/17 R

* cited by examiner

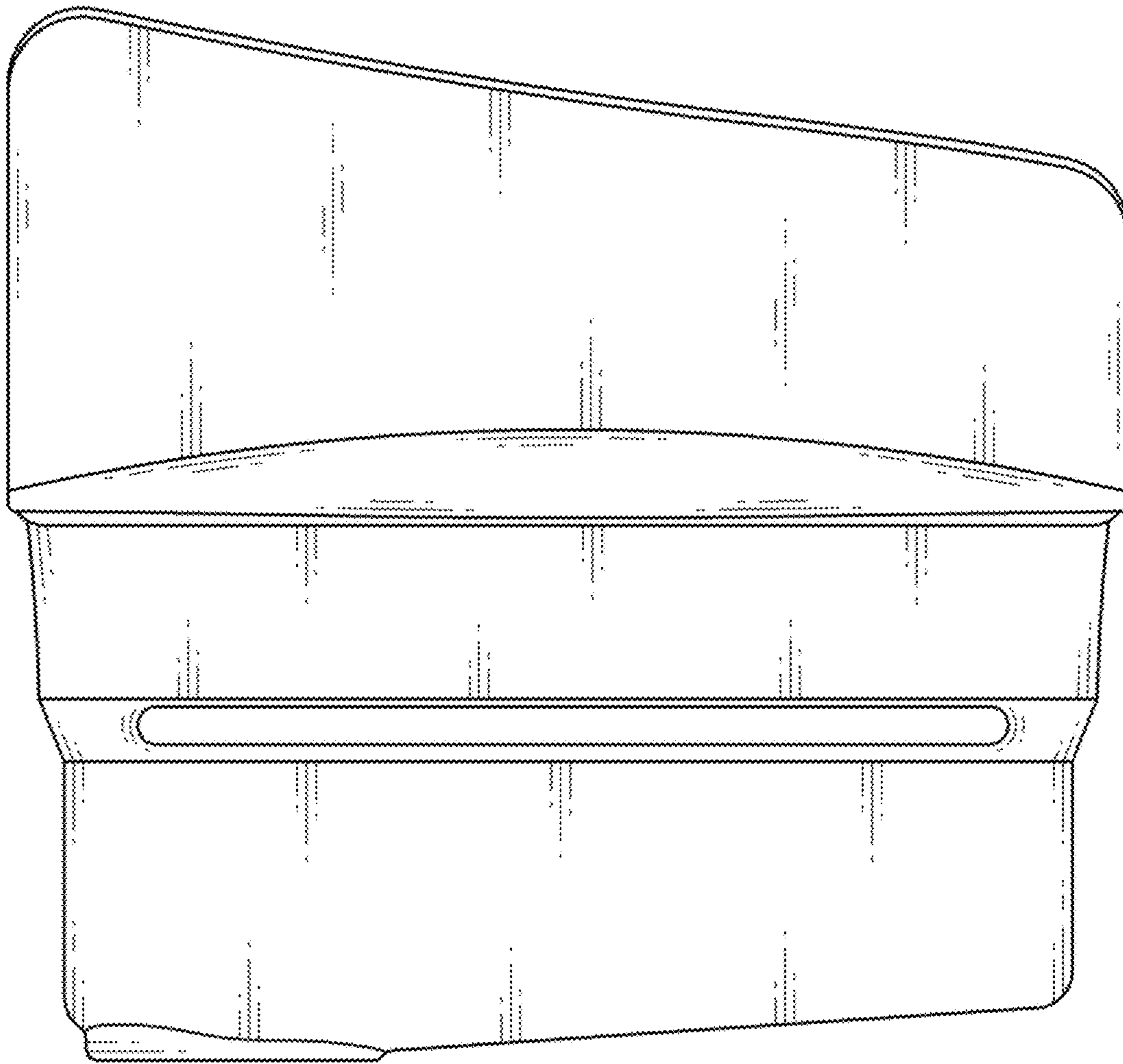
1.1



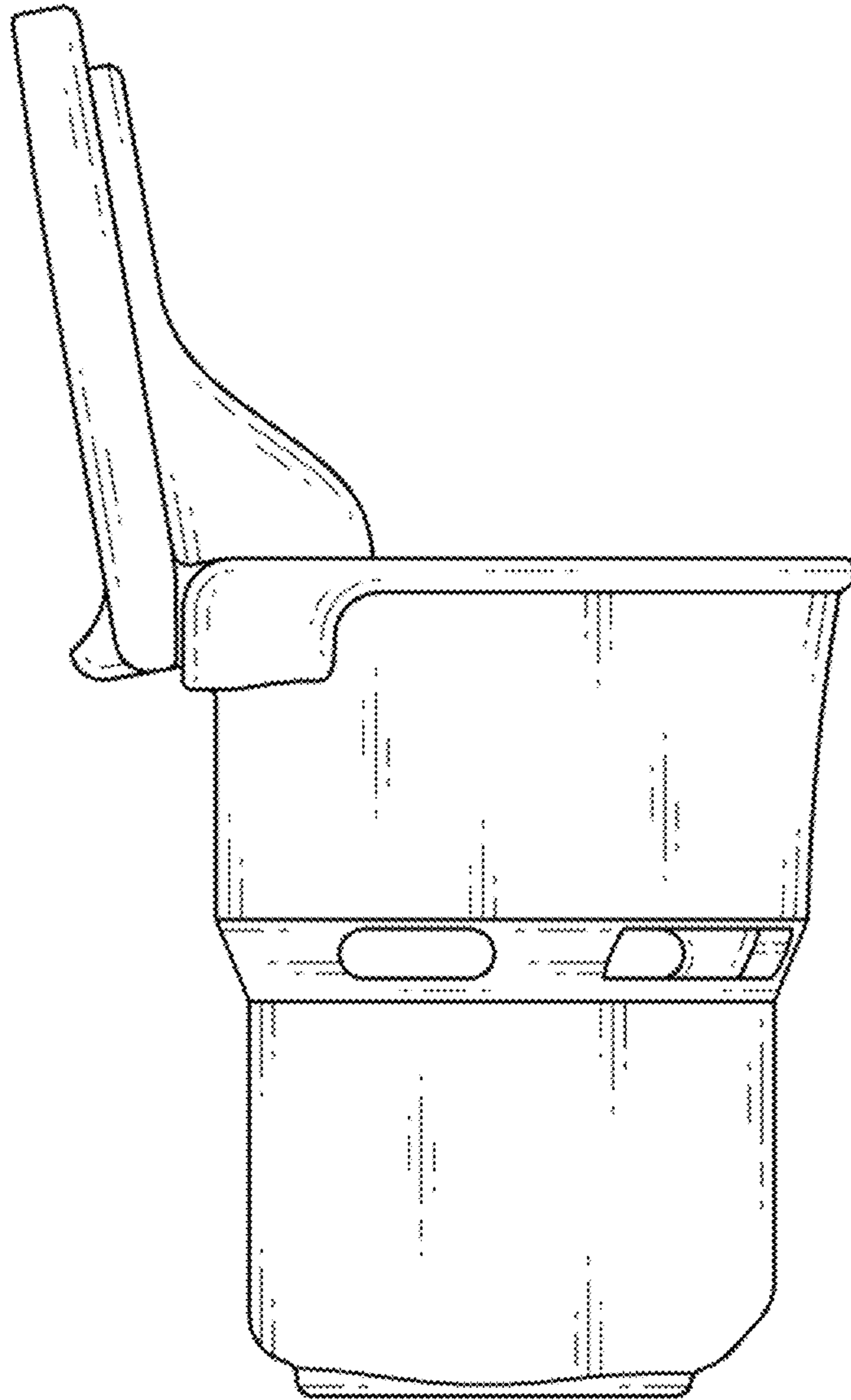
1.2



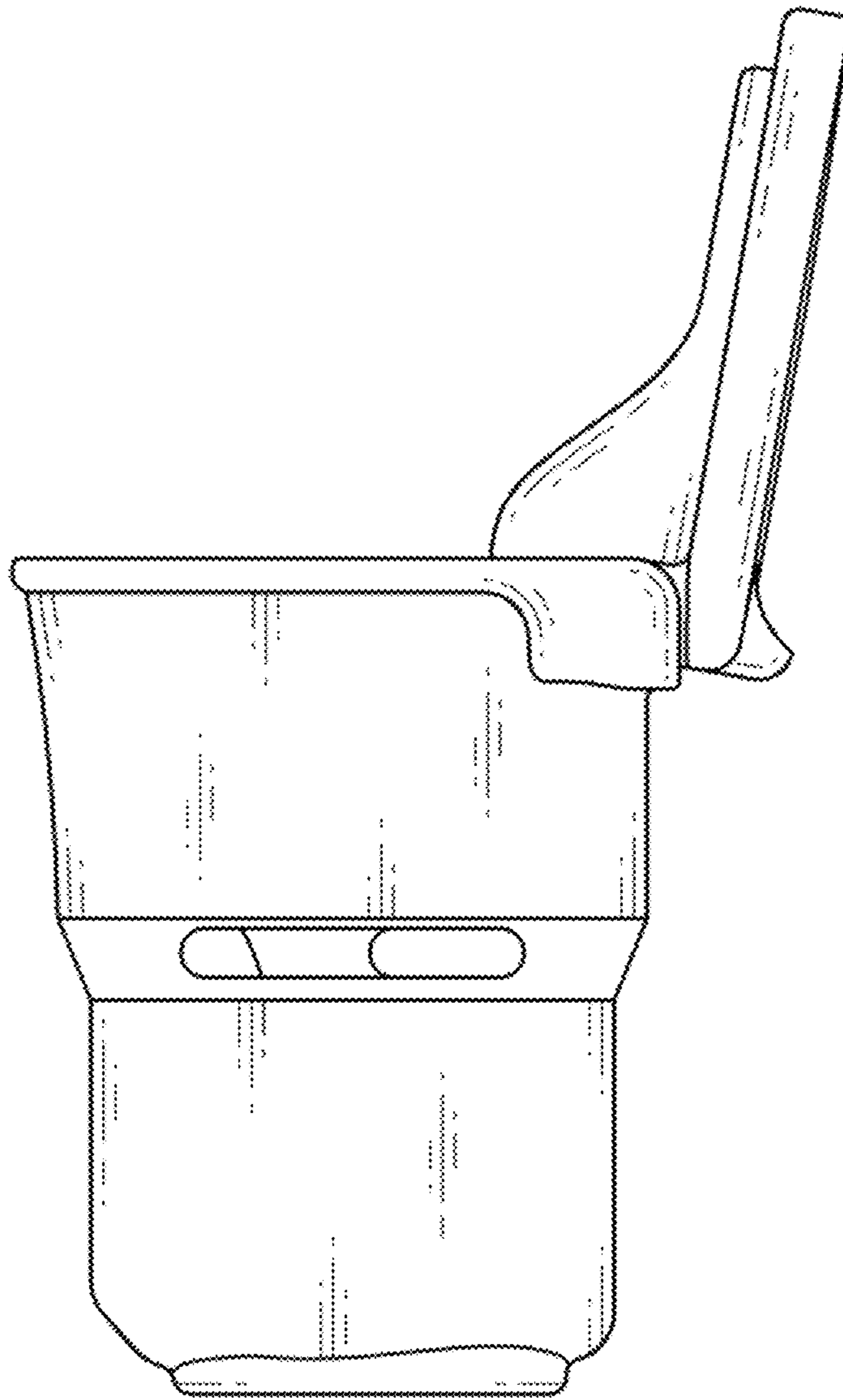
1.3



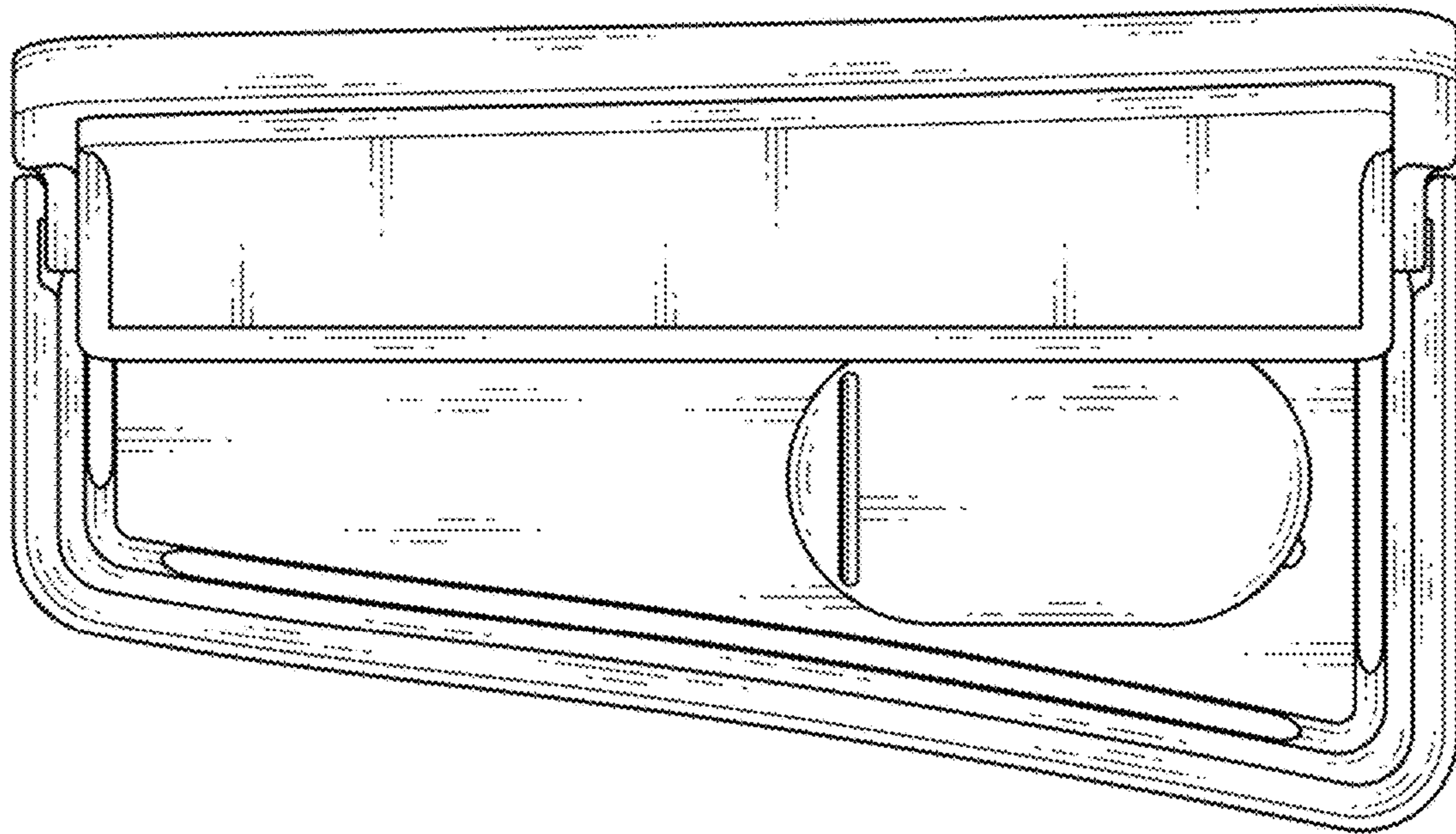
1.4



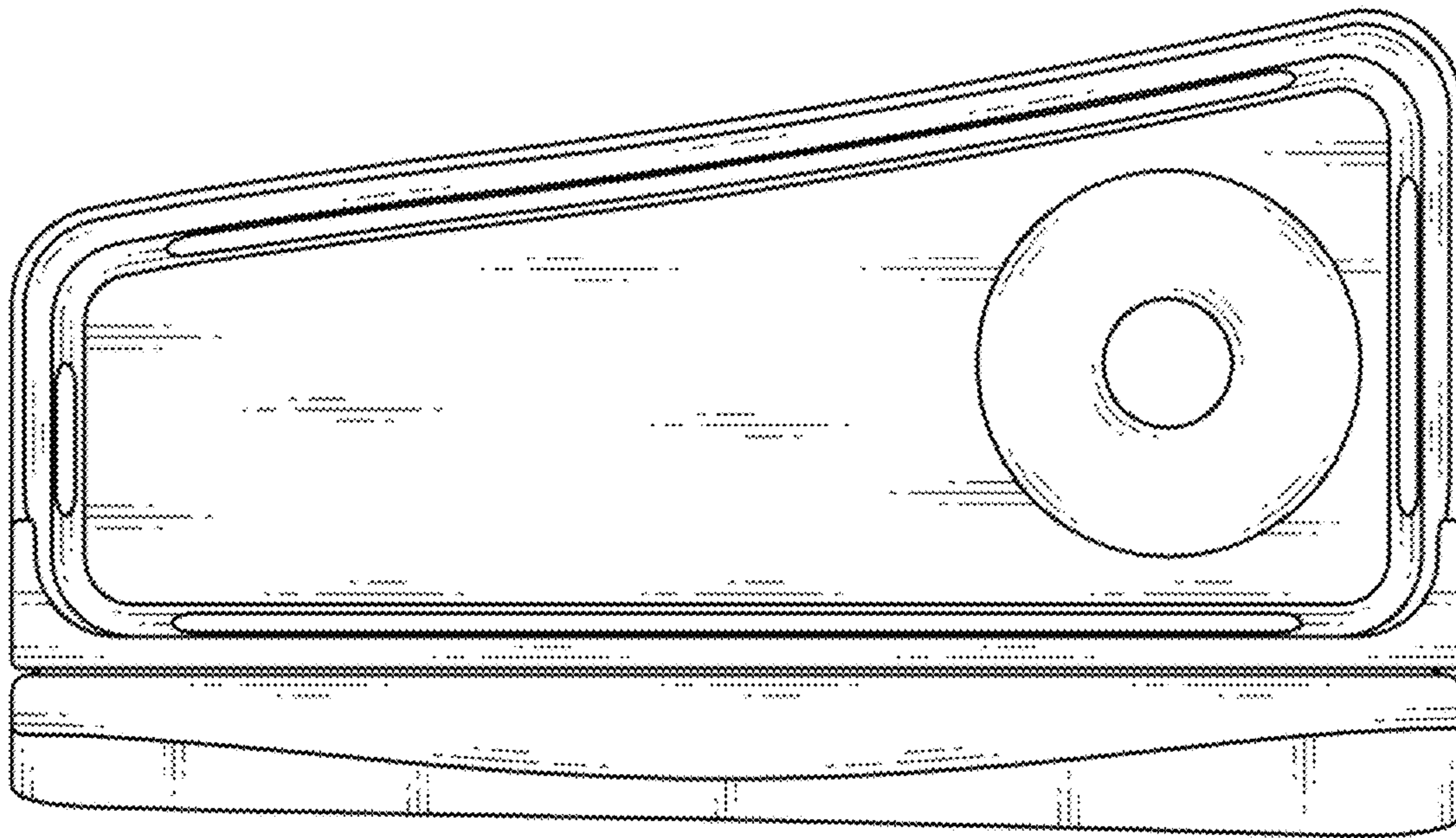
1.5



1.6



1.7



1.8

