



US00D839513S

(12) **United States Design Patent** (10) **Patent No.:** **US D839,513 S**  
**Ayers et al.** (45) **Date of Patent:** **\*\* Jan. 29, 2019**

(54) **WASHING MACHINE**  
(71) Applicant: **WHIRLPOOL CORPORATION**,  
Benton Harbor, MI (US)  
(72) Inventors: **Kevin B. Ayers**, St. Joseph, MI (US);  
**Abhijeet Bhattacharya**, Lehi, UT  
(US); **Seth E. Bixby**, Stevensville, MI  
(US); **Andrew Kubasiak**, St. Joseph,  
MI (US); **Michael R. Mackay**, St.  
Joseph, MI (US); **David Miller**,  
Zeeland, MI (US)  
(73) Assignee: **Whirlpool Corporation**, Benton  
Harbor, MI (US)

(\*\*) Term: **15 Years**

(21) Appl. No.: **29/653,202**

(22) Filed: **Jun. 13, 2018**

**Related U.S. Application Data**

(62) Division of application No. 29/539,917, filed on Sep.  
18, 2015, now Pat. No. Des. 822,924.

(51) **LOC (11) Cl.** ..... **15-05**

(52) **U.S. Cl.**  
USPC ..... **D32/25**

(58) **Field of Classification Search**  
USPC ..... D32/1-6, 8, 10, 25, 28; 68/3 R, 5 R,  
68/235 R, 196, 212; 34/595, 596, 597,  
34/108, 130-132; 8/137; 220/810;  
312/228, 236, 294, 326  
CPC ..... A47B 77/08; A47B 96/00; D06F 39/028;  
D06F 37/28; D06F 39/14; D06F 33/02;  
D06F 58/00  
See application file for complete search history.

(56) **References Cited**

**U.S. PATENT DOCUMENTS**

D704,907 S \* 5/2014 Yoo ..... D32/6  
D711,605 S \* 8/2014 Jo ..... D32/25

D754,937 S \* 4/2016 Kim ..... D32/8  
D760,454 S \* 6/2016 Joo ..... D32/6  
D760,968 S \* 7/2016 Choi ..... D32/8  
D764,120 S \* 8/2016 Choi ..... D32/6  
D771,335 S \* 11/2016 Yoon ..... D32/25  
D775,437 S \* 12/2016 Yoon ..... D32/6  
D775,438 S \* 12/2016 Kang ..... D32/6  
D778,010 S \* 1/2017 Choi ..... D32/8  
9,605,372 B2 \* 3/2017 Kim ..... D06F 39/005  
D783,213 S \* 4/2017 Jeon ..... D32/6  
D798,006 S \* 9/2017 Kang ..... D32/6  
D809,221 S \* 1/2018 Kim ..... D32/6  
9,873,973 B2 \* 1/2018 Park ..... D06F 39/14  
9,909,248 B2 \* 3/2018 Mora ..... D06F 37/28  
D818,218 S \* 5/2018 Liu ..... D32/6

(Continued)

*Primary Examiner* — Ian Simmons

*Assistant Examiner* — Yolanda Robinson

(74) *Attorney, Agent, or Firm* — Price Heneveld LLP

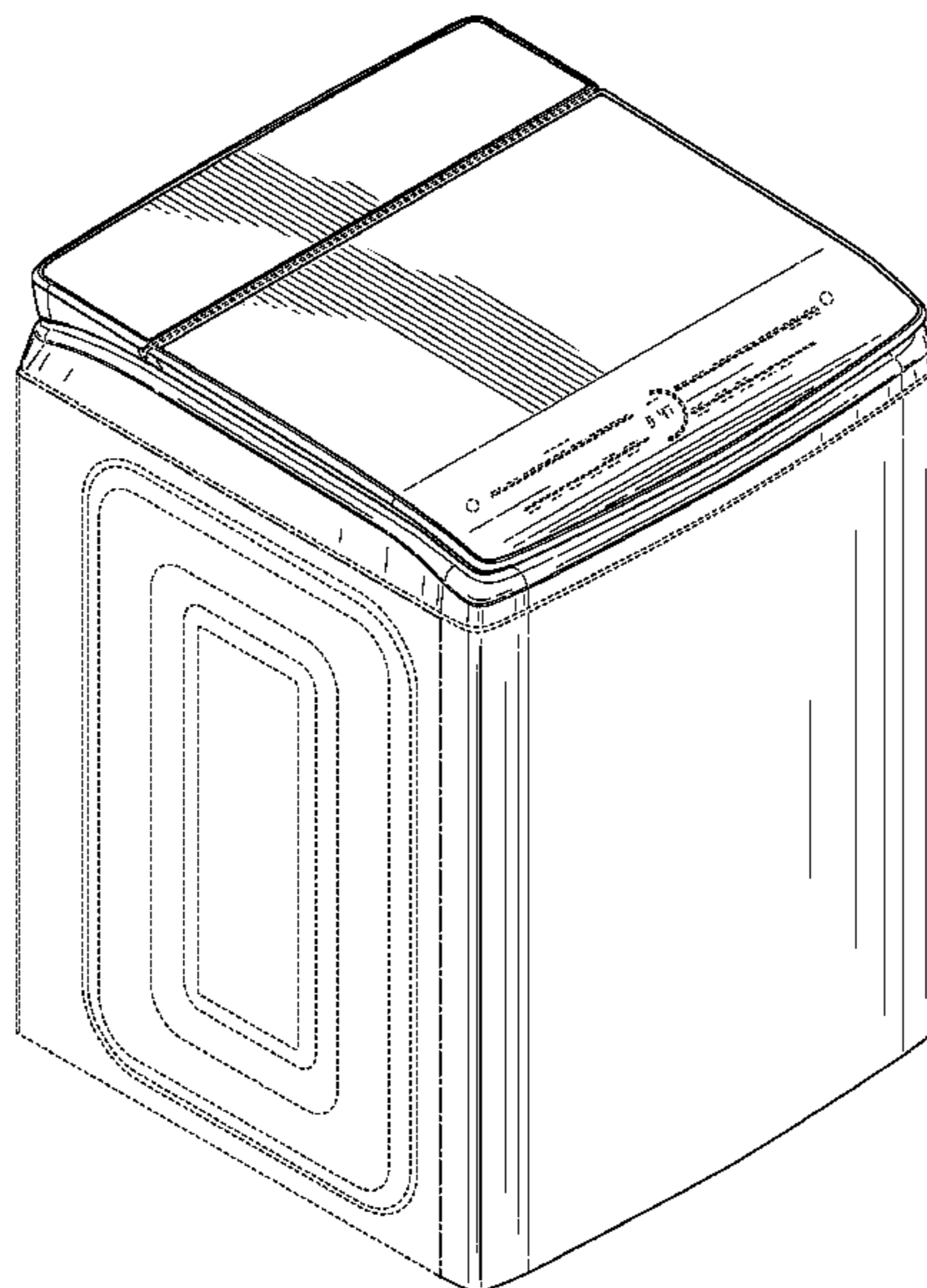
(57) **CLAIM**

The ornamental design for a washing machine, as shown and described.

**DESCRIPTION**

FIG. 1 is a front-left perspective view of a washing machine according to our design;  
FIG. 2 is a front elevation view thereof;  
FIG. 3 is a back elevation view thereof;  
FIG. 4 is a left side elevation view thereof;  
FIG. 5 is a right side elevation view thereof;  
FIG. 6 is a top plan view thereof; and,  
FIG. 7 is a bottom plan view thereof.  
The broken line showing of various features is for the purpose of illustrating unclaimed portions of the washing machine and forms no part of the claimed design.  
Dash-dot lines adjacent un-shaded areas represent bounds of the claimed design and form no part thereof.

**1 Claim, 7 Drawing Sheets**



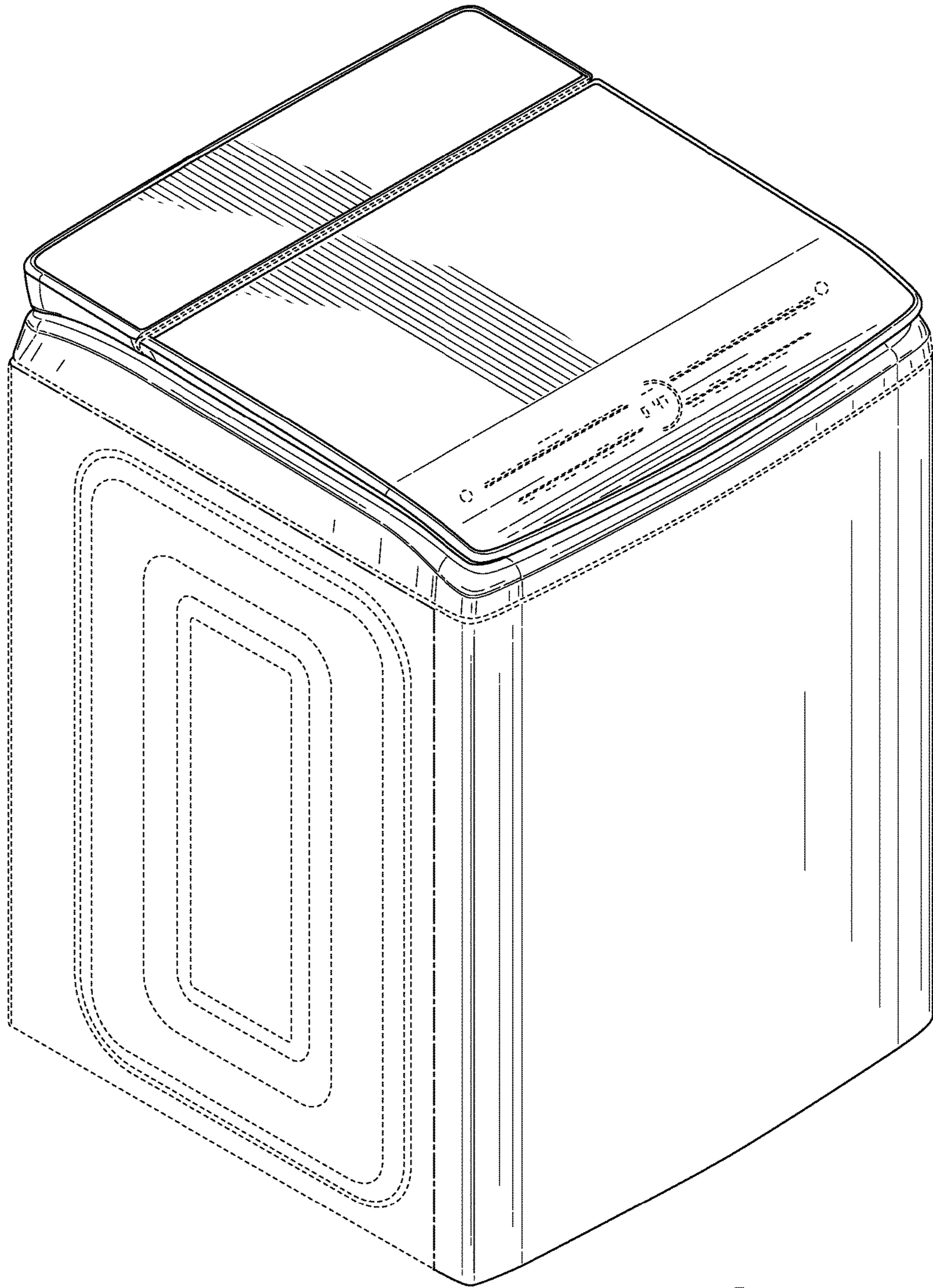
(56)

**References Cited**

U.S. PATENT DOCUMENTS

2009/0229320 A1\* 9/2009 Yoo ..... D06F 23/04  
68/3 R  
2014/0210324 A1\* 7/2014 Kilgore ..... D06F 39/14  
312/228.1  
2015/0076977 A1\* 3/2015 Kim ..... D06F 39/005  
312/228  
2015/0145388 A1\* 5/2015 Jung, II ..... D06F 37/267  
312/228  
2016/0167858 A1\* 6/2016 Sanfilippo ..... B65D 75/5838  
220/270  
2018/0187363 A1\* 7/2018 Jang ..... D06F 39/14

\* cited by examiner



**FIG. 1**



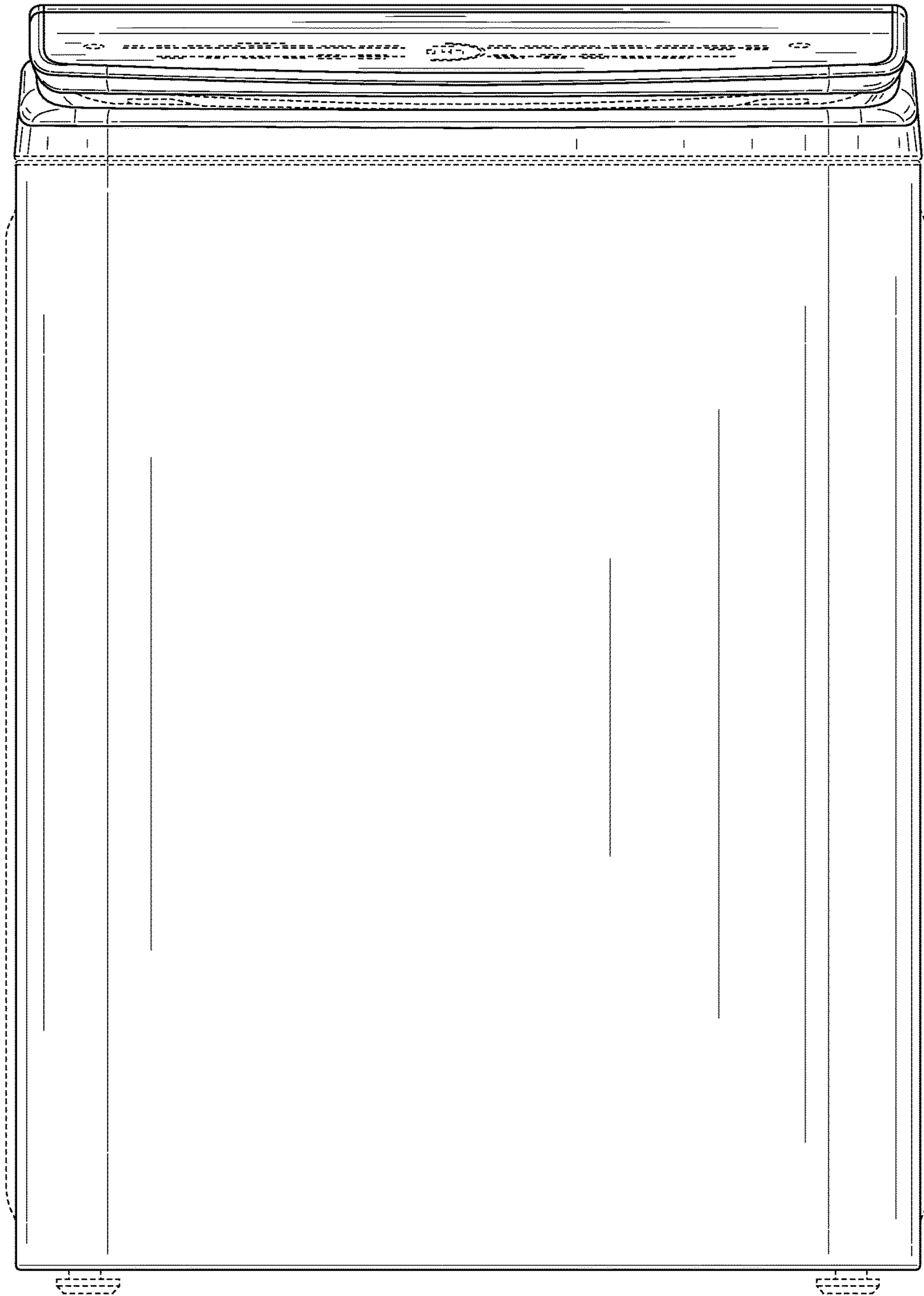


FIG. 2

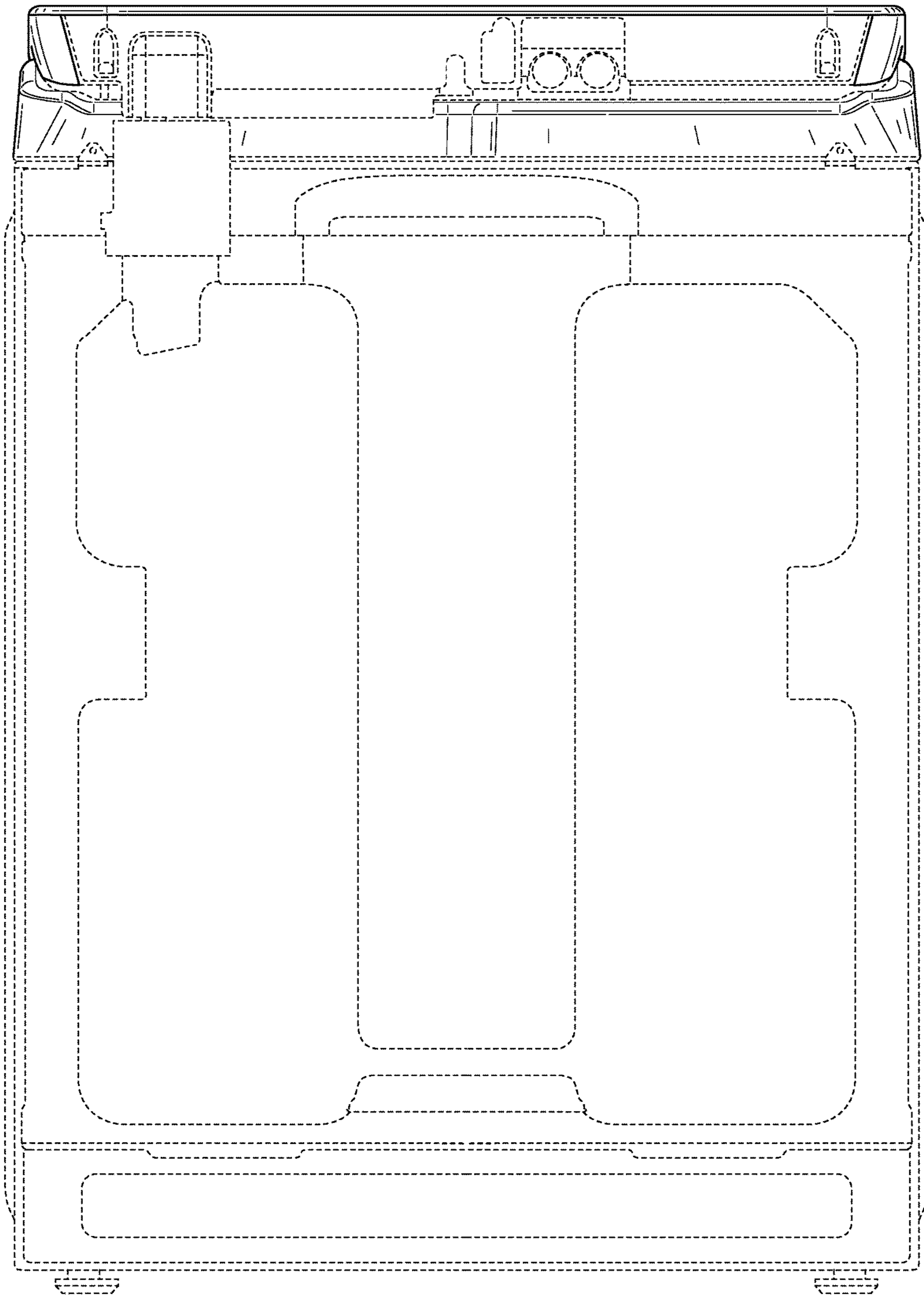


FIG. 3

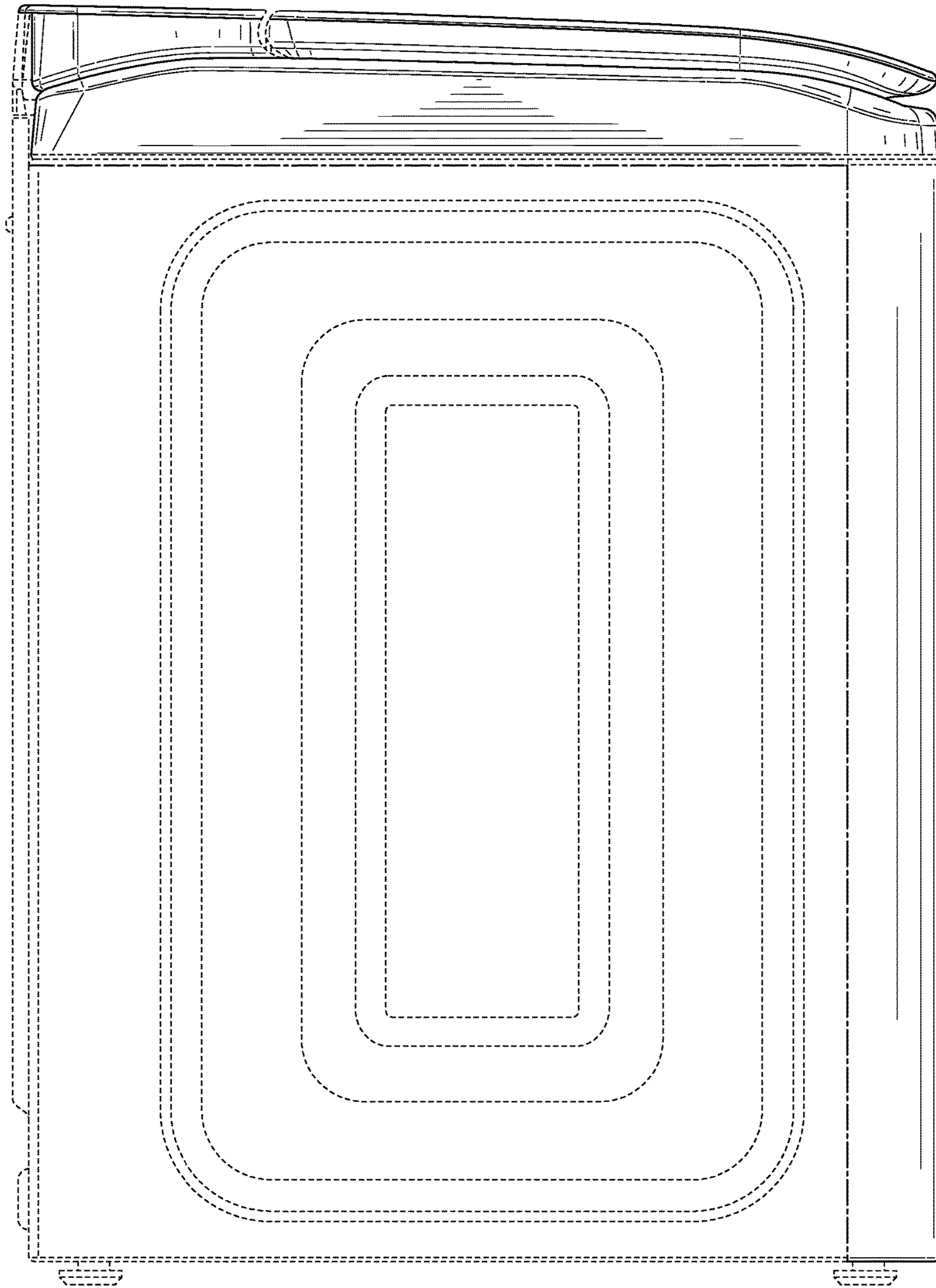
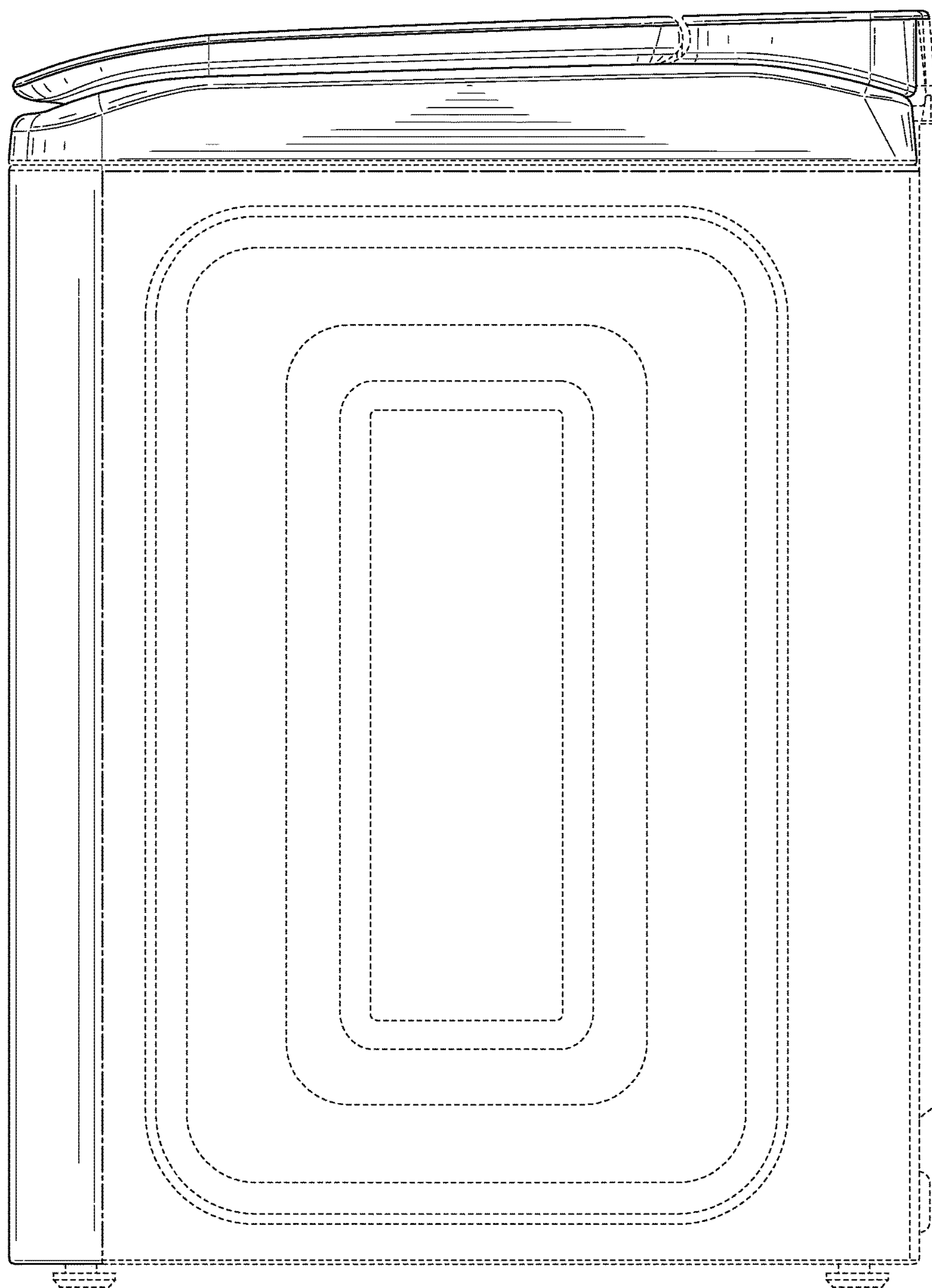


FIG. 4



**FIG. 5**



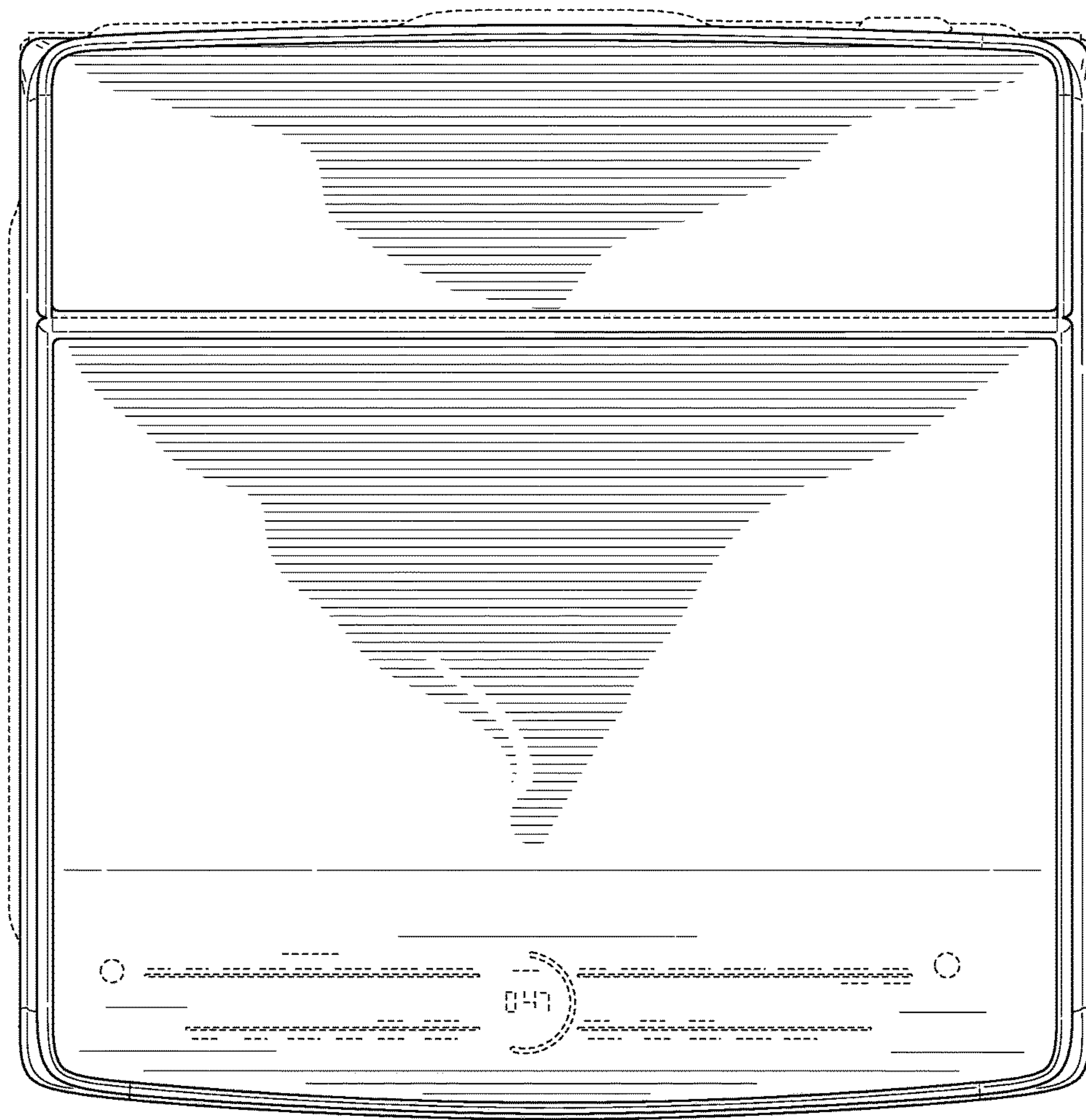
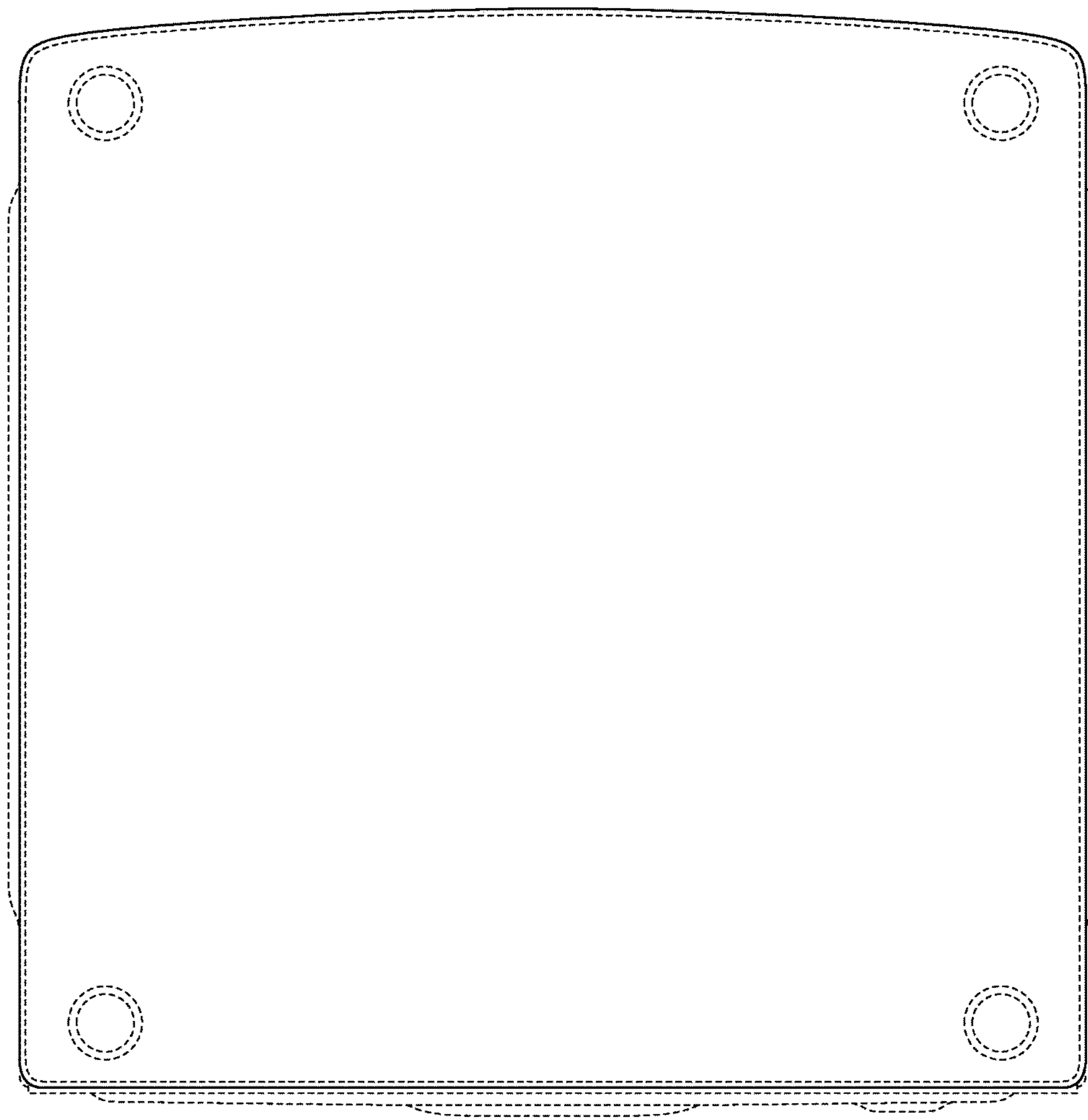


FIG. 6





**FIG. 7**