



US00D839512S

(12) **United States Design Patent**  
**Bearup et al.**

(10) **Patent No.:** **US D839,512 S**  
(45) **Date of Patent:** **\*\* Jan. 29, 2019**

- (54) **PRESSURE WASHER**
- (71) Applicant: **Kärcher North America, Inc.**, Denver, CO (US)
- (72) Inventors: **Adam Bearup**, Lakewood, CO (US);  
**Michael Ramussen**, Denver, CO (US)
- (73) Assignee: **Kärcher North America, Inc.**, Denver, CO (US)
- (\*\*) Term: **15 Years**
- (21) Appl. No.: **29/649,462**
- (22) Filed: **May 30, 2018**

- D499,848 S \* 12/2004 Leasure ..... D32/15
- D532,942 S \* 11/2006 Busschaert ..... D32/15
- D580,610 S \* 11/2008 Hawkins ..... D32/25
- D590,110 S \* 4/2009 Hawkins ..... D32/25
- 7,516,910 B1 \* 4/2009 DeWall ..... B05B 9/01  
239/526
- D622,471 S \* 8/2010 Hernandez ..... D34/12
- D633,263 S \* 2/2011 Fay ..... D32/15
- D634,083 S \* 3/2011 Fay ..... D32/15
- D639,001 S \* 5/2011 Alexander ..... D32/15
- D648,082 S \* 11/2011 Alexander ..... D32/15
- D688,841 S \* 8/2013 van Deursen ..... D32/25
- D702,900 S \* 4/2014 Kahan ..... D32/16
- D703,888 S \* 4/2014 Kahan ..... D32/16
- D732,764 S \* 6/2015 Kennard ..... D32/15
- D733,373 S \* 6/2015 Kahan ..... D32/16
- D742,080 S \* 10/2015 Rigon ..... D32/15
- D749,805 S \* 2/2016 Janik ..... D32/16
- D778,011 S \* 1/2017 Alexander ..... D32/16
- D779,744 S \* 2/2017 Weinberg ..... D32/16
- D779,745 S \* 2/2017 Weinberg ..... D32/16

**Related U.S. Application Data**

- (62) Division of application No. 29/568,672, filed on Jun. 20, 2016.
- (51) **LOC (11) Cl.** ..... **15-05**
- (52) **U.S. Cl.**  
USPC ..... **D32/25**
- (58) **Field of Classification Search**  
USPC ..... D32/16, 21, 15; D34/14, 19, 12;  
D23/359; D15/5  
CPC ..... B08B 3/026; B08B 3/028; B05B 1/12;  
B05B 9/0855; B05B 1/00; B05B 1/1654;  
B05B 9/007; B05B 9/0426; F04B 17/05;  
F04B 49/24  
See application file for complete search history.

**References Cited**

**U.S. PATENT DOCUMENTS**

- 5,494,414 A \* 2/1996 Steinhart ..... F02B 75/007  
417/360
- D375,590 S \* 11/1996 Steinhart ..... D32/15
- 5,902,094 A \* 5/1999 Hoenisch ..... B08B 3/026  
137/540
- D467,692 S \* 12/2002 Morgan ..... D32/15

(Continued)

*Primary Examiner* — Michelle E. Wilson  
(74) *Attorney, Agent, or Firm* — Sheridan Ross P.C.

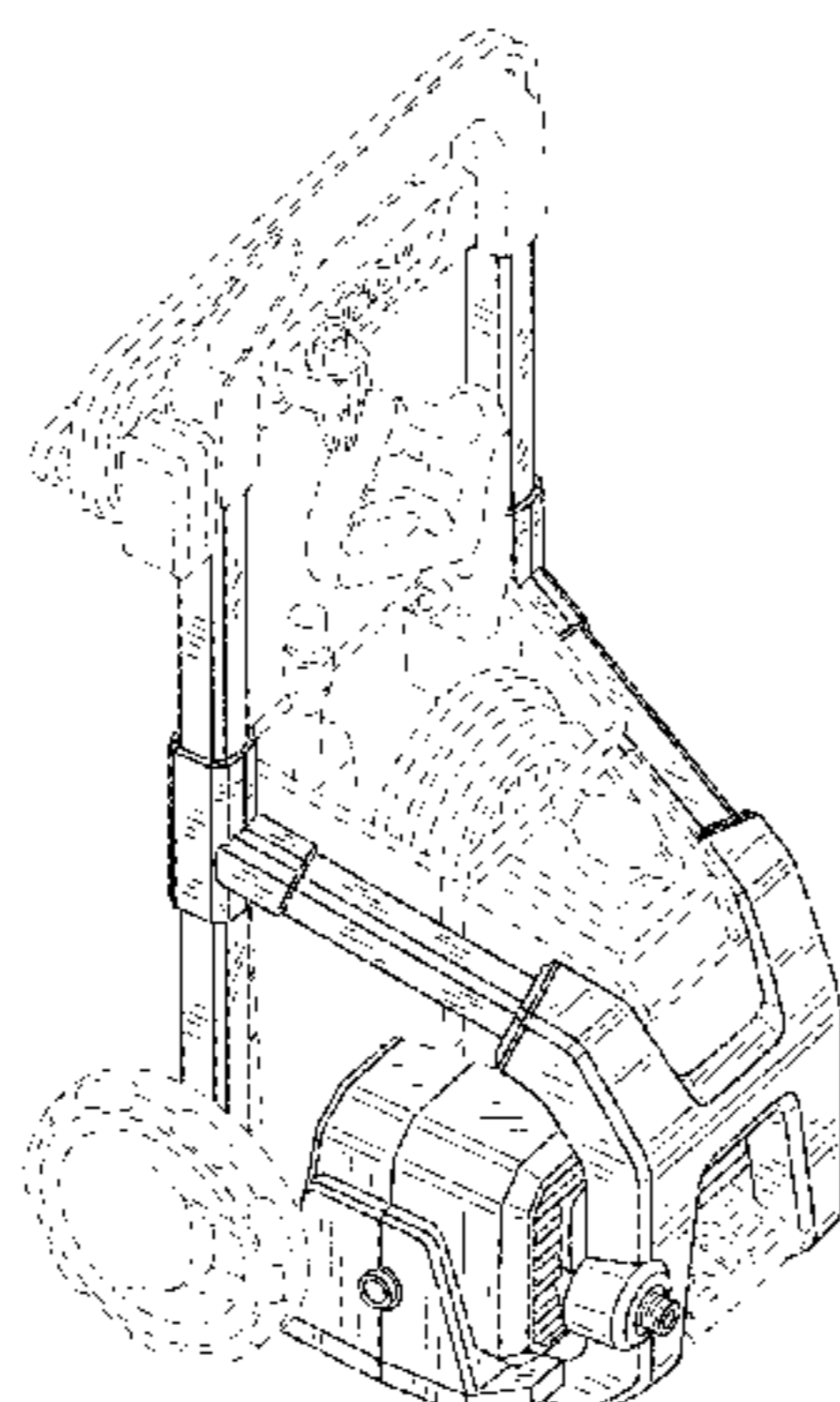
(57) **CLAIM**

The ornamental design for a pressure washer, as shown and described.

**DESCRIPTION**

FIG. 1 is a front perspective view of the pressure washer; FIG. 2 is a front elevation view thereof; FIG. 3 is a rear elevation view thereof; FIG. 4 is a right elevation view thereof; FIG. 5 is a left elevation view thereof; FIG. 6 is a top plan view thereof; and, FIG. 7 is a bottom plan view thereof. The broken lines showing a pressure washer are included for the purpose of illustrating environment and form no part of the claimed design.

**1 Claim, 7 Drawing Sheets**



(56)

**References Cited**

U.S. PATENT DOCUMENTS

D779,746 S \* 2/2017 Weinberg ..... D32/16  
 D804,750 S \* 12/2017 Janik ..... D32/16  
 2002/0122730 A1\* 9/2002 Dexter ..... B08B 3/026  
 417/299  
 2006/0038034 A1\* 2/2006 Hillary ..... B05B 9/0855  
 239/146  
 2006/0102745 A1\* 5/2006 Dexter ..... B05B 9/0855  
 239/146  
 2006/0118498 A1\* 6/2006 Gilpatrick ..... B08B 3/026  
 211/70.6  
 2006/0131151 A1\* 6/2006 Marchand ..... B05B 9/01  
 200/336  
 2006/0196967 A1\* 9/2006 Monty ..... B05B 1/00  
 239/73  
 2008/0245899 A1\* 10/2008 Parris ..... F04B 17/05  
 239/526  
 2009/0317262 A1\* 12/2009 Gilpatrick ..... B08B 3/026  
 417/34  
 2010/0006668 A1\* 1/2010 Alexander ..... B08B 3/026  
 239/129  
 2010/0206964 A1\* 8/2010 Li ..... F04B 17/03  
 239/398  
 2010/0282862 A1\* 11/2010 Gilpatrick ..... B08B 3/026  
 239/88

2011/0081260 A1\* 4/2011 Klika ..... F04B 17/05  
 417/364  
 2011/0081261 A1\* 4/2011 Klika ..... B08B 3/026  
 417/364  
 2011/0171045 A1\* 7/2011 Gilpatrick ..... F04B 9/042  
 417/273  
 2011/0315176 A1\* 12/2011 Gilpatrick ..... B08B 3/026  
 134/57 R  
 2012/0018534 A1\* 1/2012 Gilpatrick ..... B05B 7/0876  
 239/310  
 2014/0119949 A1\* 5/2014 Wischstadt ..... B08B 3/026  
 417/34  
 2014/0251390 A1\* 9/2014 Khan ..... B08B 3/026  
 134/99.2  
 2014/0252138 A1\* 9/2014 Wischstadt ..... B05B 1/12  
 239/589  
 2014/0263710 A1\* 9/2014 Khan ..... B05B 7/005  
 239/11  
 2014/0263754 A1\* 9/2014 Nushart ..... B05B 1/1654  
 239/442  
 2015/0306614 A1\* 10/2015 Pierce ..... B05B 9/007  
 137/12  
 2016/0067726 A1\* 3/2016 Gilpatrick ..... B05B 7/32  
 239/526  
 2018/0021800 A1\* 1/2018 Janik ..... B08B 3/026  
 239/146  
 2018/0021819 A1\* 1/2018 Schaller ..... B08B 3/026

\* cited by examiner

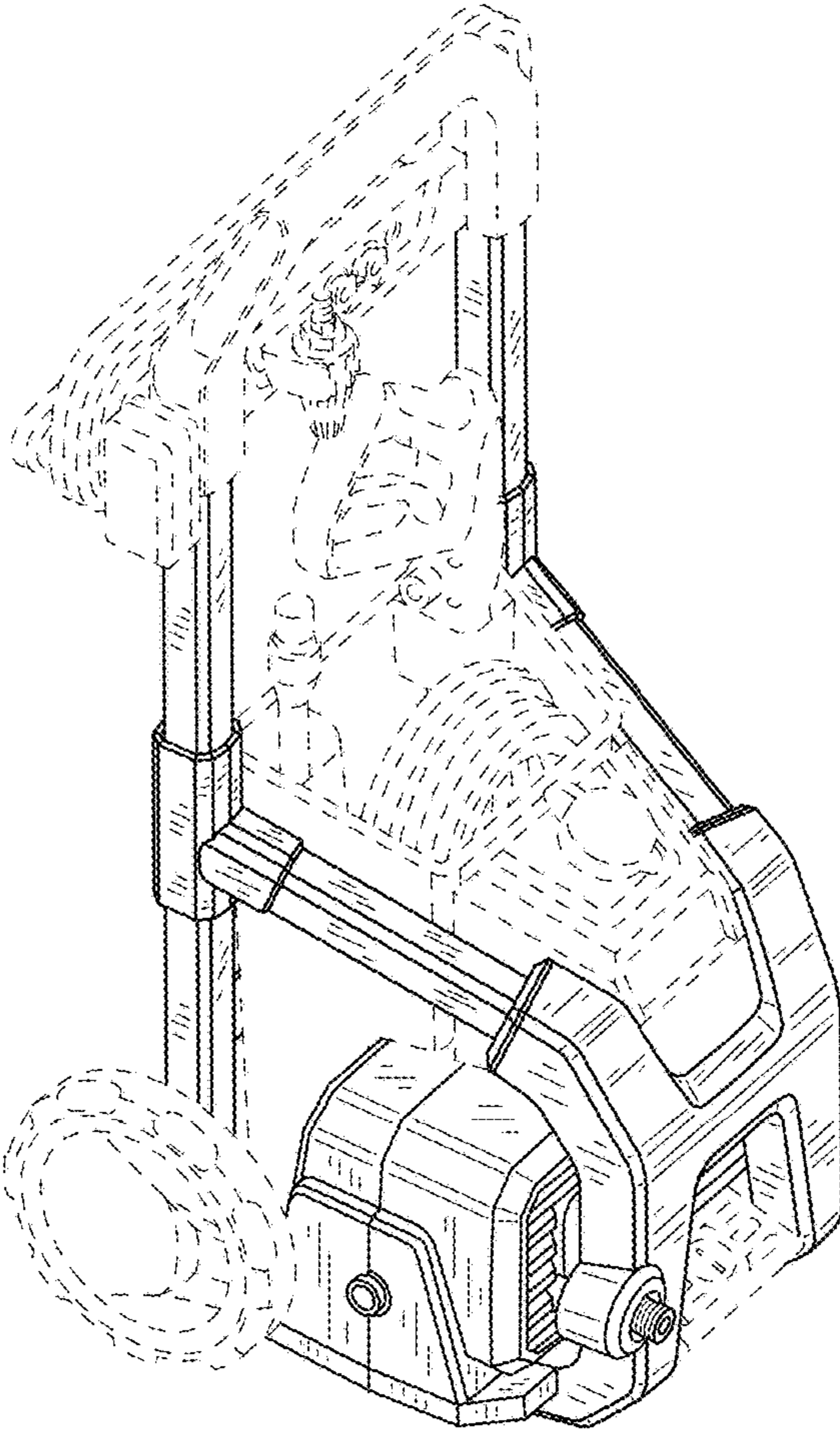


FIG.1

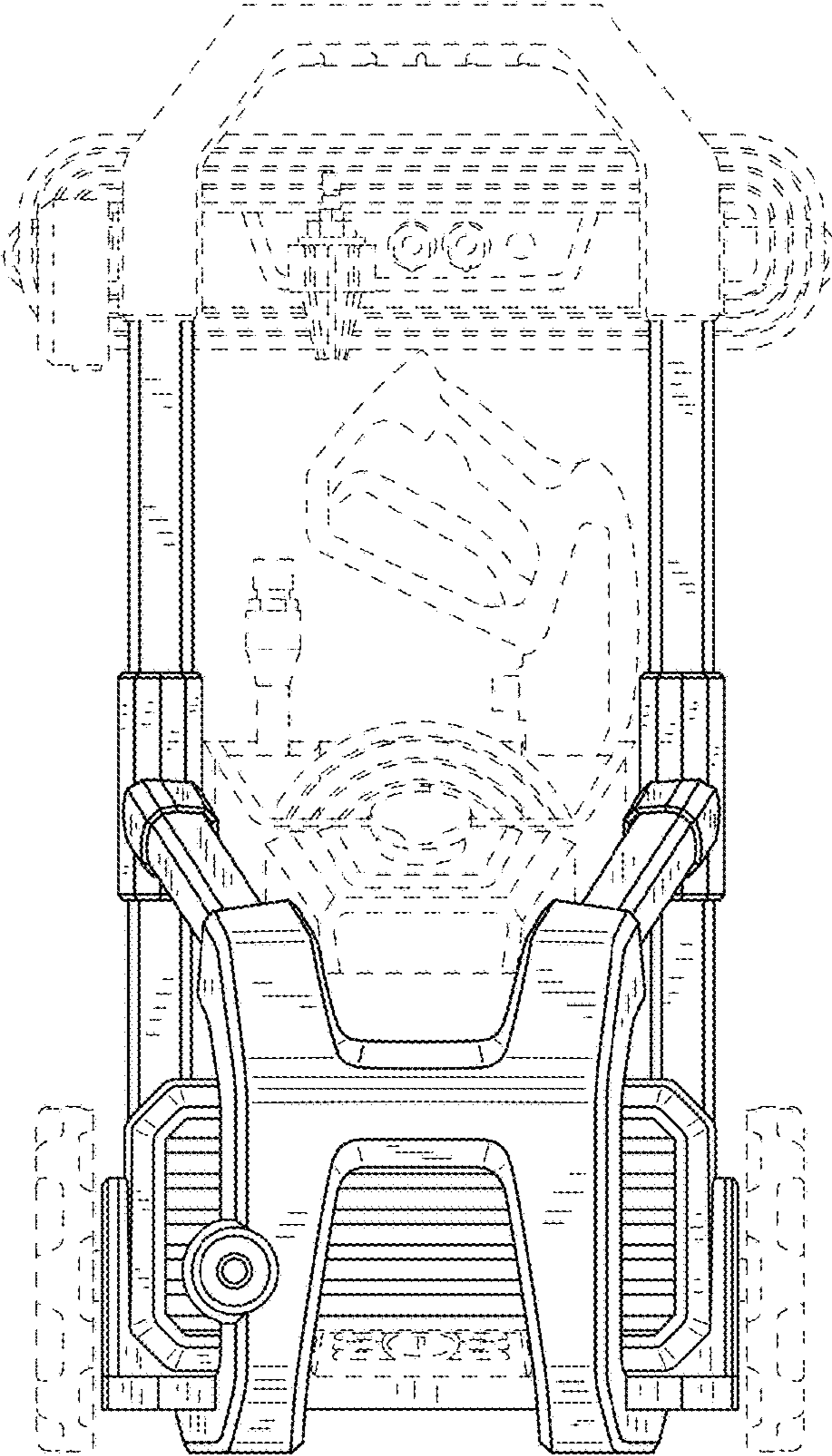


FIG. 2

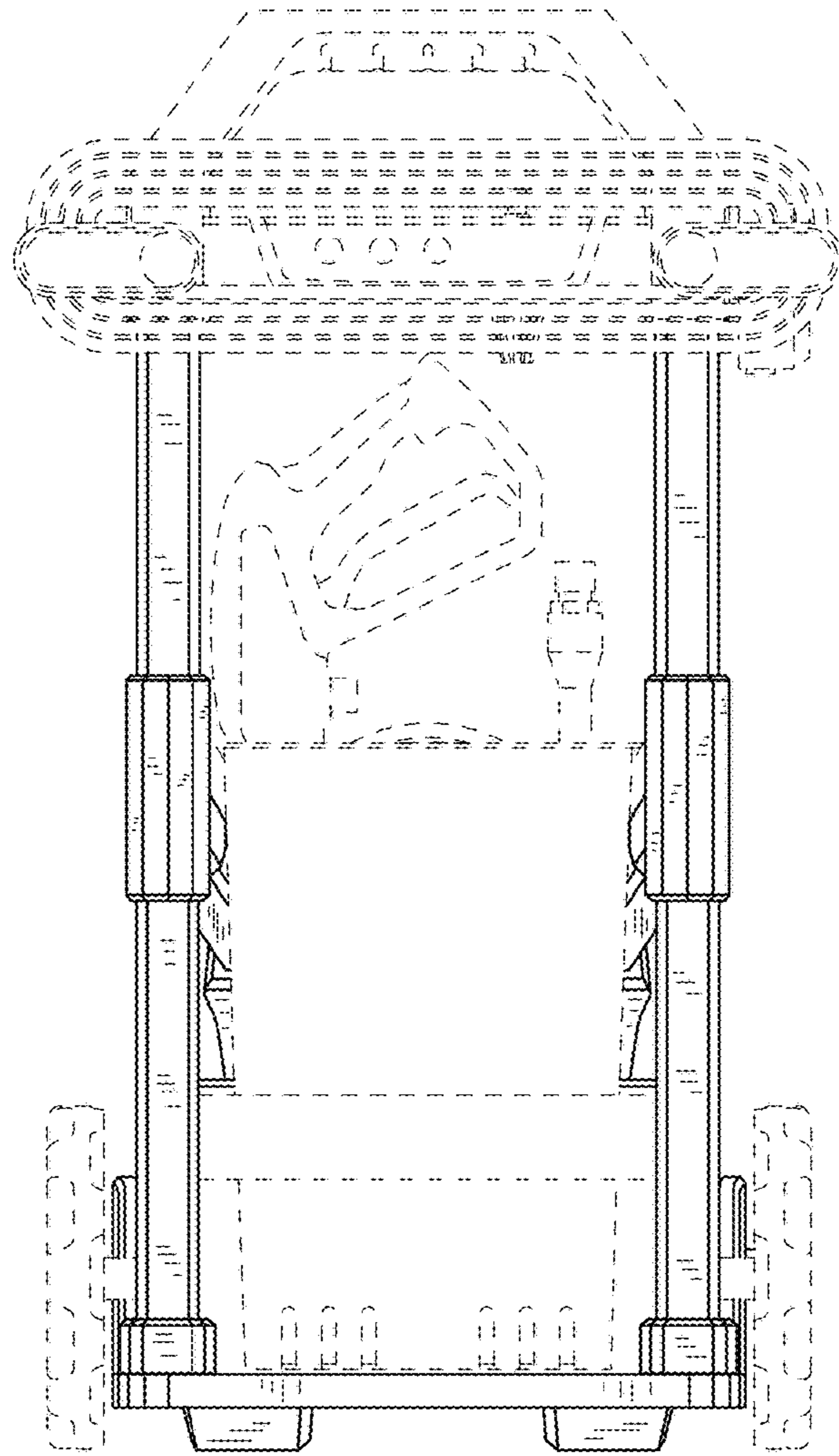


FIG. 3

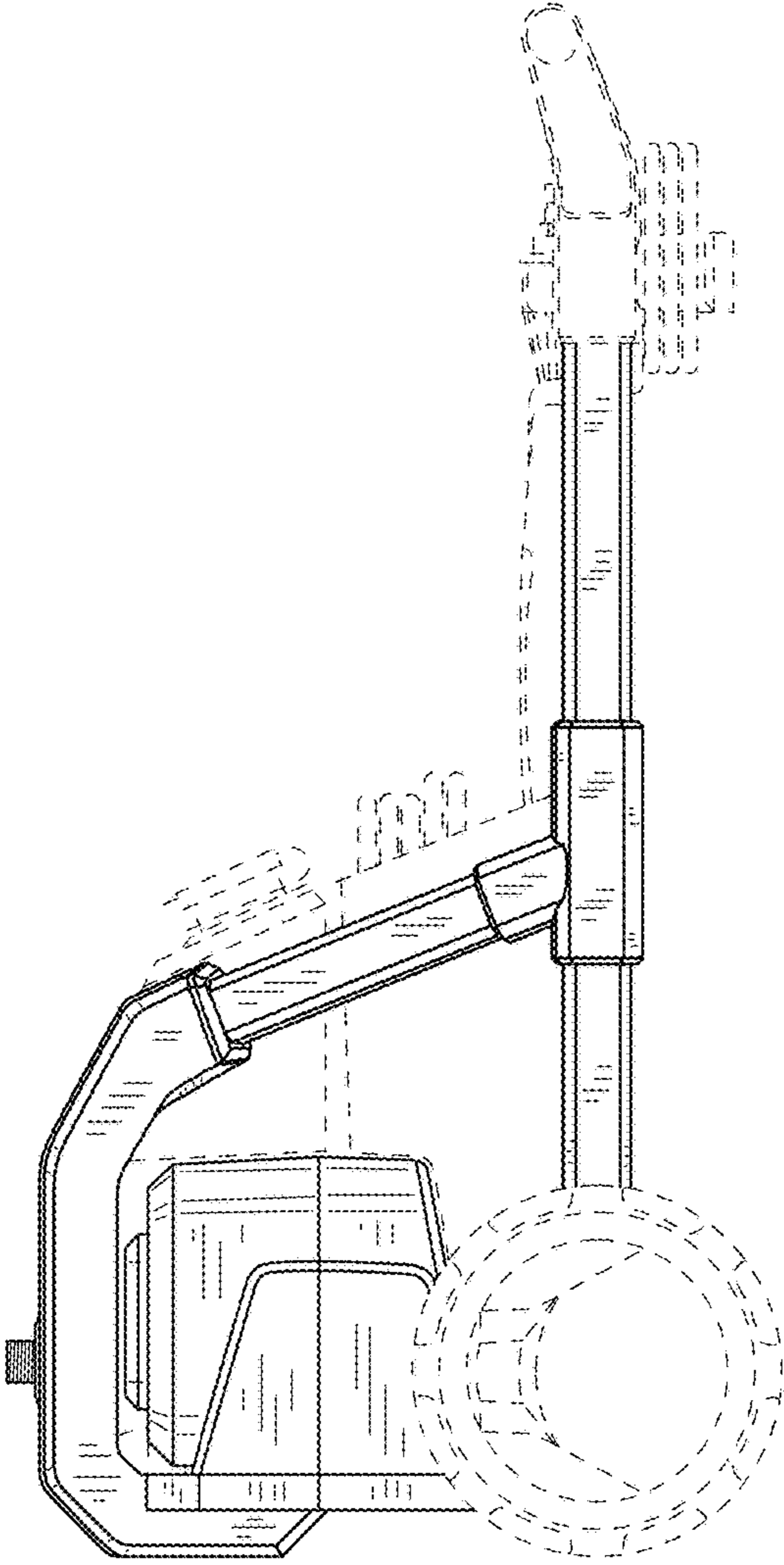


FIG. 4

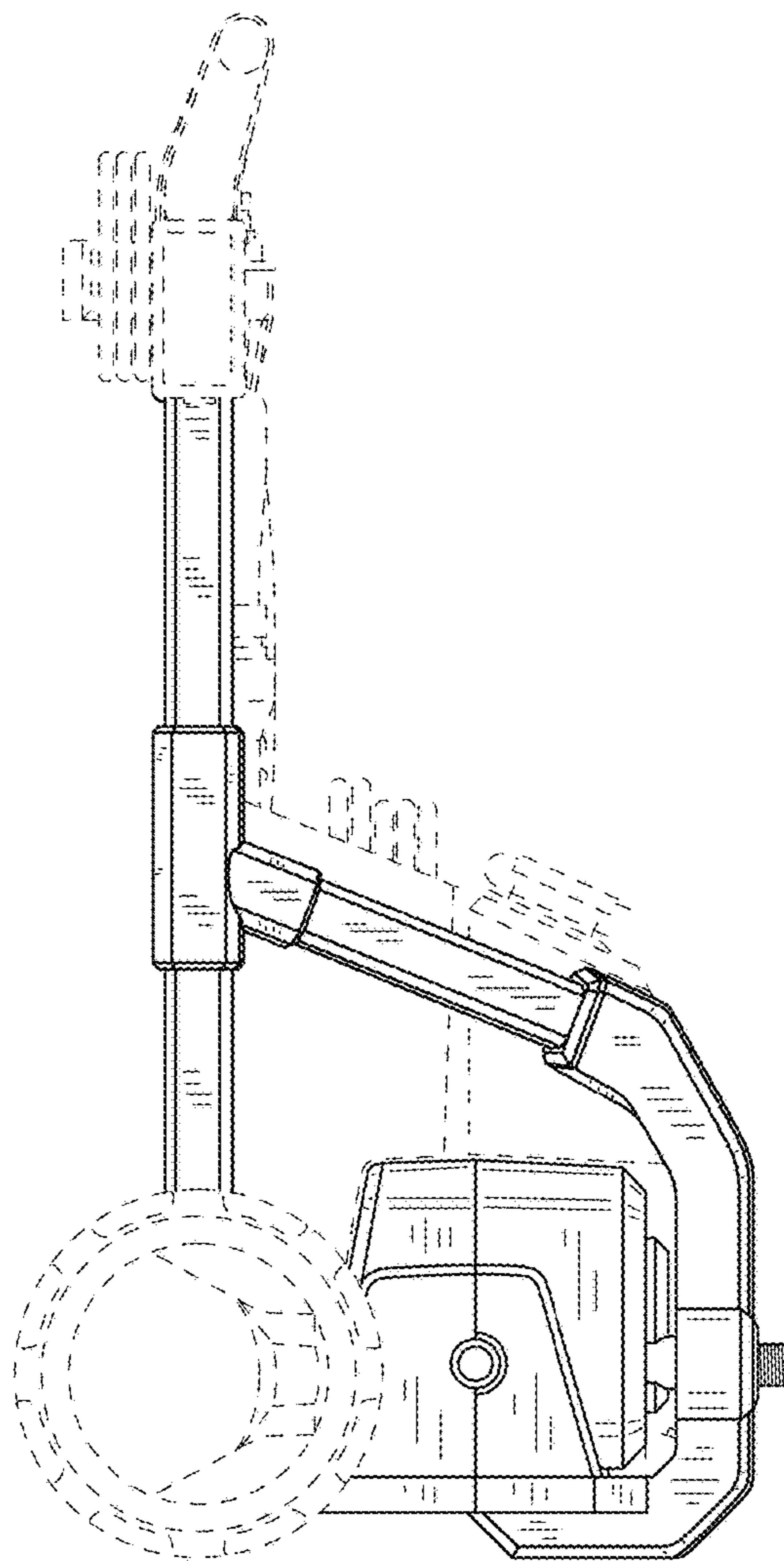


FIG. 5

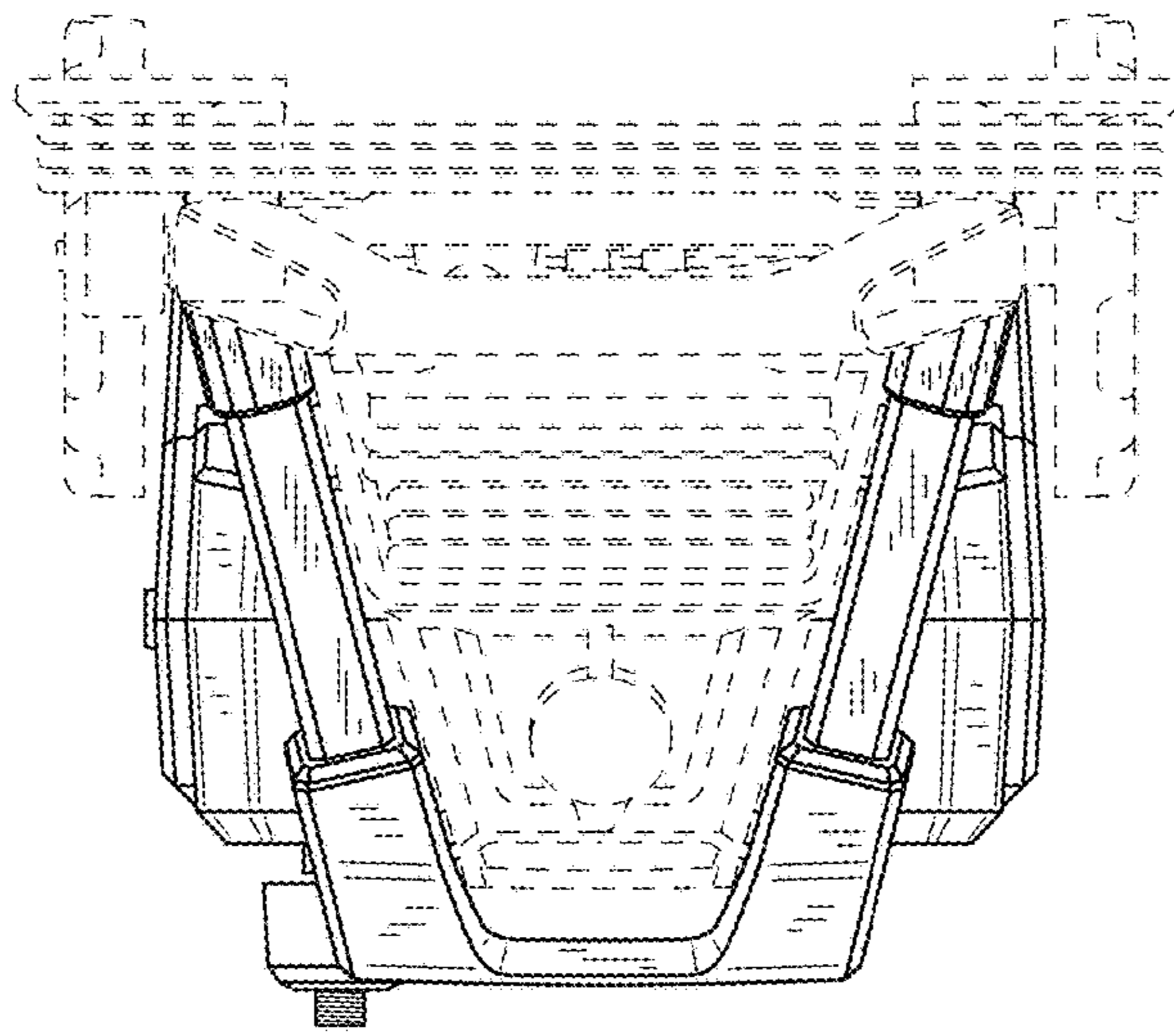


FIG. 6



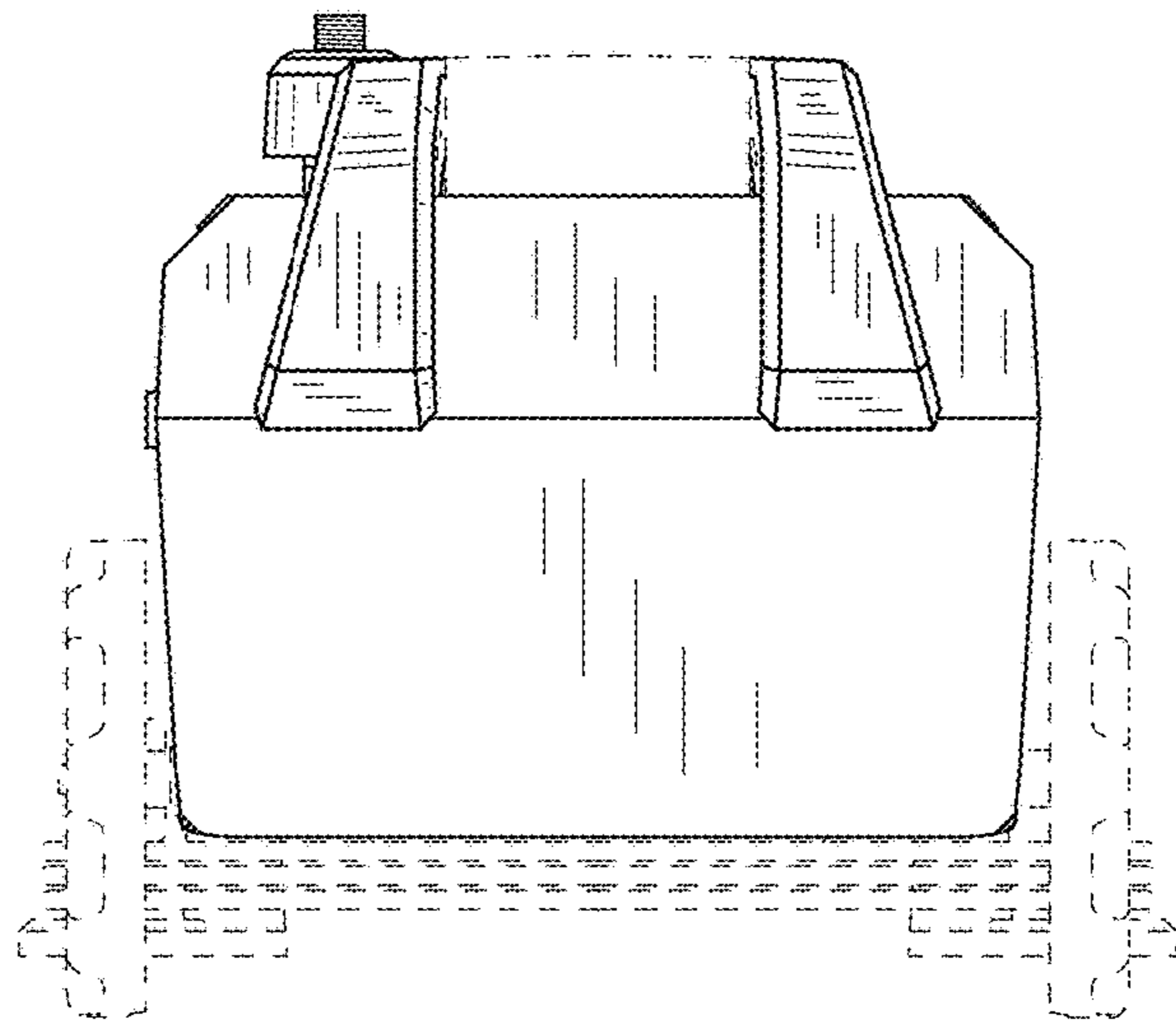


FIG. 7