



US00D839511S

(12) **United States Design Patent**
Nam et al.

(10) **Patent No.:** **US D839,511 S**
(45) **Date of Patent:** **** Jan. 29, 2019**

(54) **ROBOT VACUUM CLEANER**

(71) Applicant: **LG ELECTRONICS INC.**, Seoul (KR)

(72) Inventors: **Bohyun Nam**, Seoul (KR); **Sojin Park**, Seoul (KR); **Myungwhoon Lee**, Seoul (KR)

(73) Assignee: **LG ELECTRONICS INC.**, Seoul (KR)

(**) Term: **15 Years**

(21) Appl. No.: **35/503,044**

(22) Filed: **Nov. 25, 2016**

(80) **Hague Agreement Data**

Int. Filing Date: **Nov. 25, 2016**
Int. Reg. No.: **DM/093705**
Int. Reg. Date: **Nov. 25, 2016**
Int. Reg. Pub. Date: **May 26, 2017**

(30) **Foreign Application Priority Data**

Jun. 30, 2016 (KR) 30-2016-0031991

(51) **LOC (11) Cl.** **15-05**

(52) **U.S. Cl.**
USPC **D32/21**

(58) **Field of Classification Search**
USPC D32/17, 21-24, 31
CPC . A47L 9/2842; A47L 9/16; A47L 9/20; A47L 9/1683; A47L 9/1666; A47L 9/1608; A47L 9/2857; A47L 9/2836; A47L 9/2847; A47L 9/2852; A47L 5/28; A47L 7/0038; E04H 4/1654; G06N 3/008

See application file for complete search history.

(56) **References Cited**

U.S. PATENT DOCUMENTS

D718,911 S	*	12/2014	Vanderstegen-Drake	D32/21
D745,757 S	*	12/2015	Choi	D32/21
D746,005 S	*	12/2015	Cheon	D32/21
D778,515 S	*	2/2017	Choi	D32/21
D807,599 S	*	1/2018	Nam	D32/21
D808,096 S	*	1/2018	Yun	D32/21
D808,099 S	*	1/2018	Yoo	D32/23

* cited by examiner

Primary Examiner — Michael A. Pratt

(74) *Attorney, Agent, or Firm* — Birch, Stewart, Kolasch & Birch, LLP

(57) **CLAIM**

The ornamental design for a robot vacuum cleaner, as shown and described.

DESCRIPTION

1. Robot for vacuum cleaner

1.1 is a perspective view of a robot vacuum cleaner, showing our new design;

1.2 is a front elevation view thereof;

1.3 is a rear elevation view thereof;

1.4 is a left-side elevation view thereof;

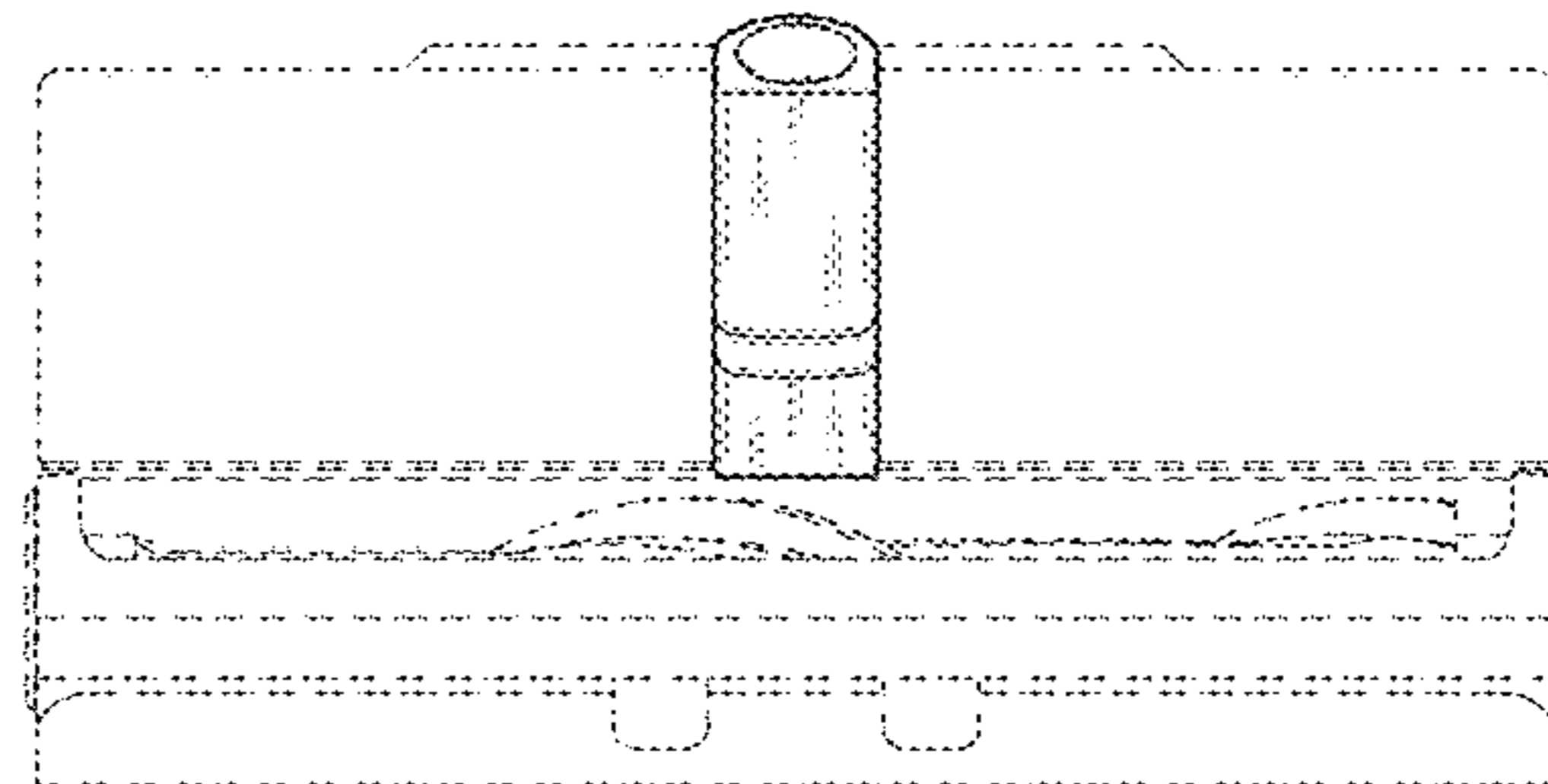
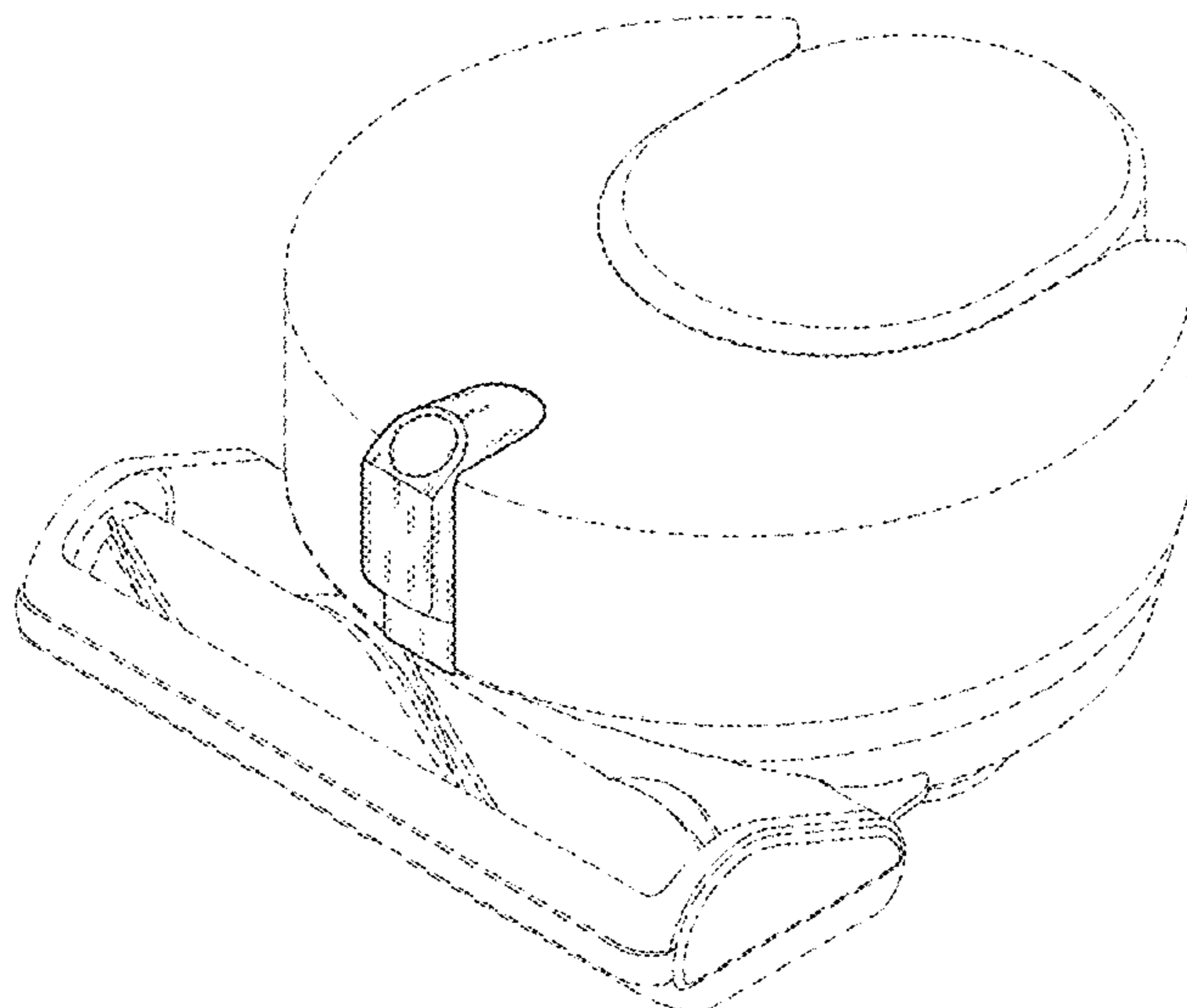
1.5 is a right-side elevation view thereof;

1.6 is a top plan view thereof; and

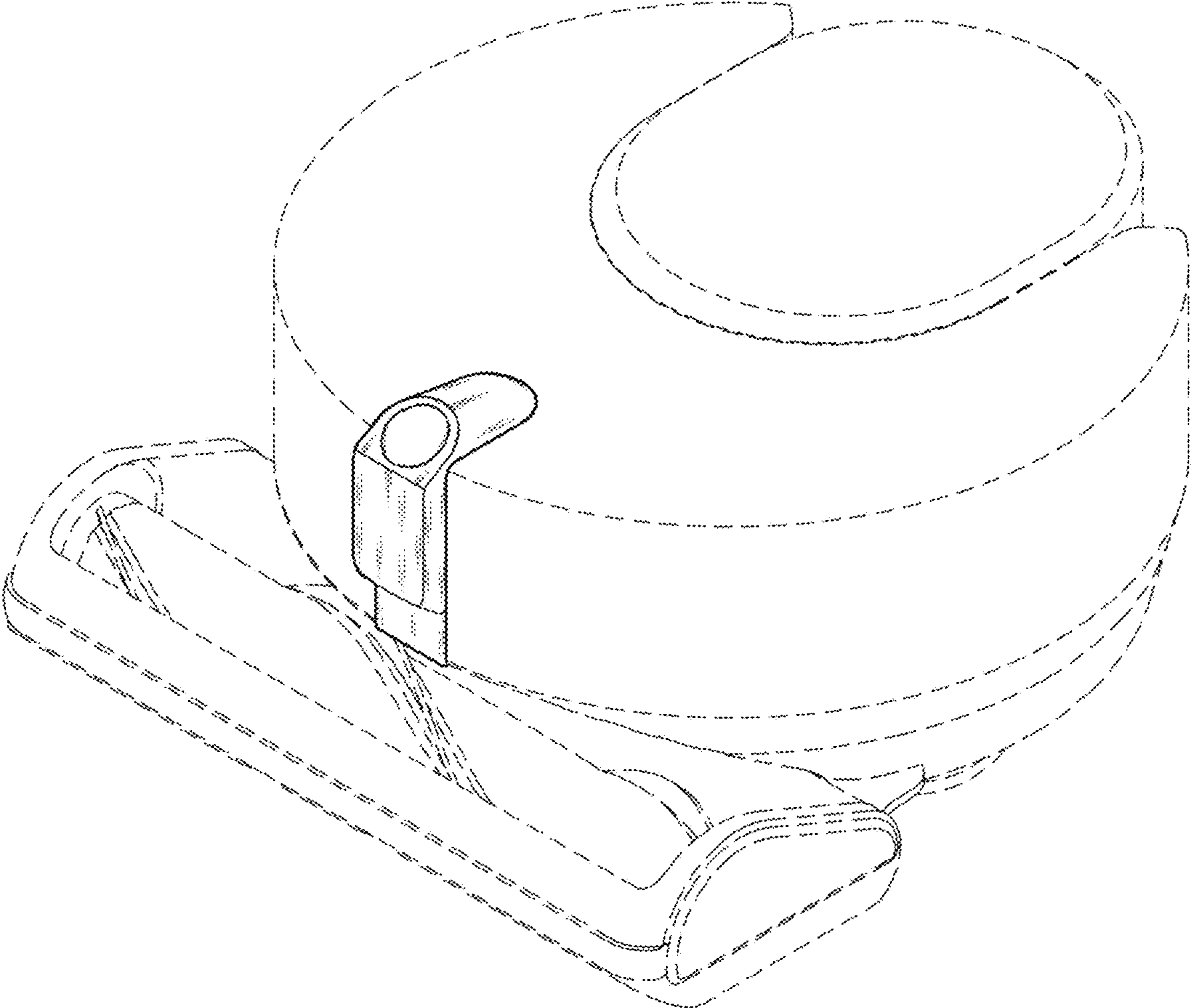
1.7 is a bottom plan view thereof.

The broken line shown in figures **1.1** through **1.7** is for the purpose of illustrating portions of the robot vacuum cleaner that forms no part of the claimed design.

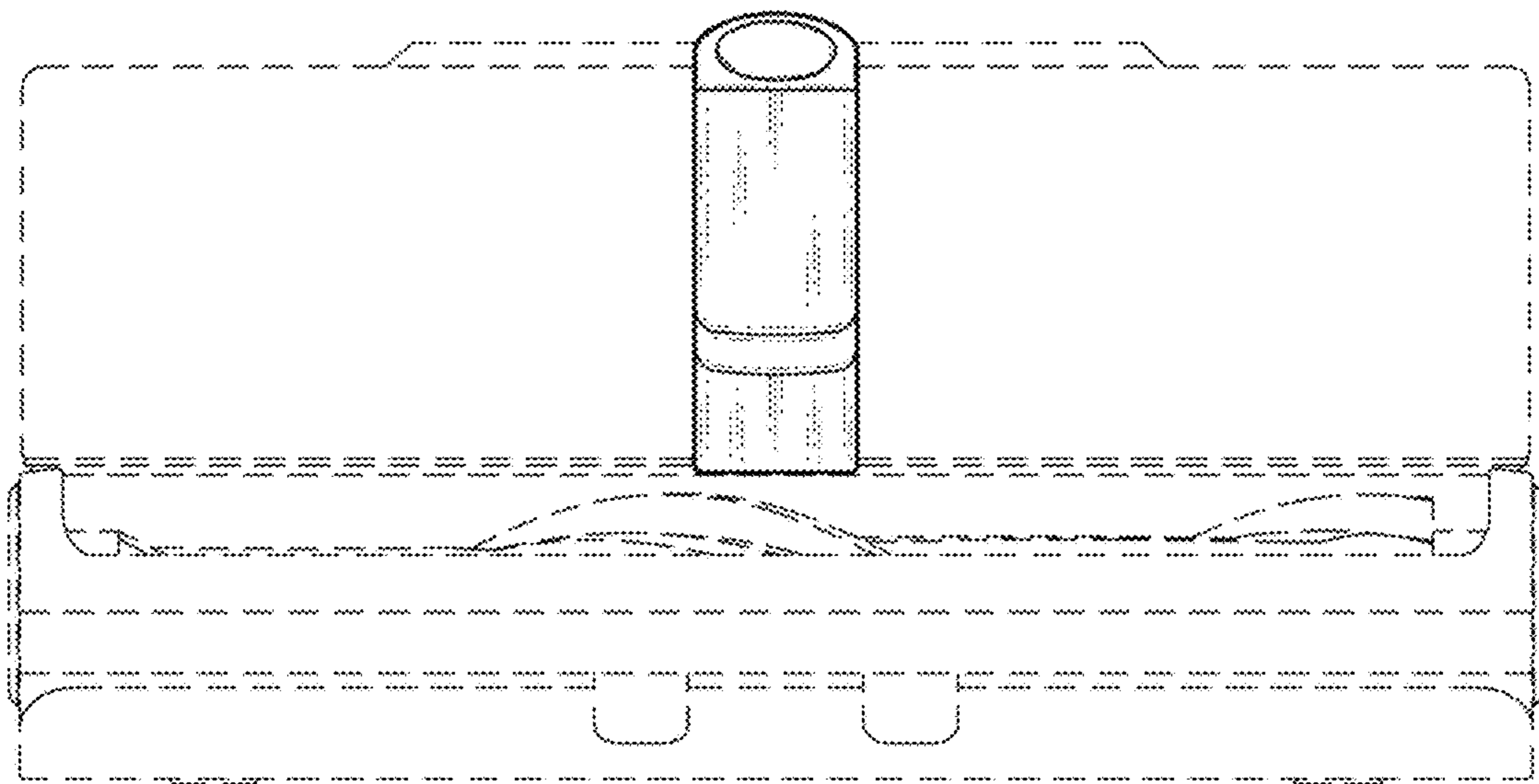
1 Claim, 7 Drawing Sheets



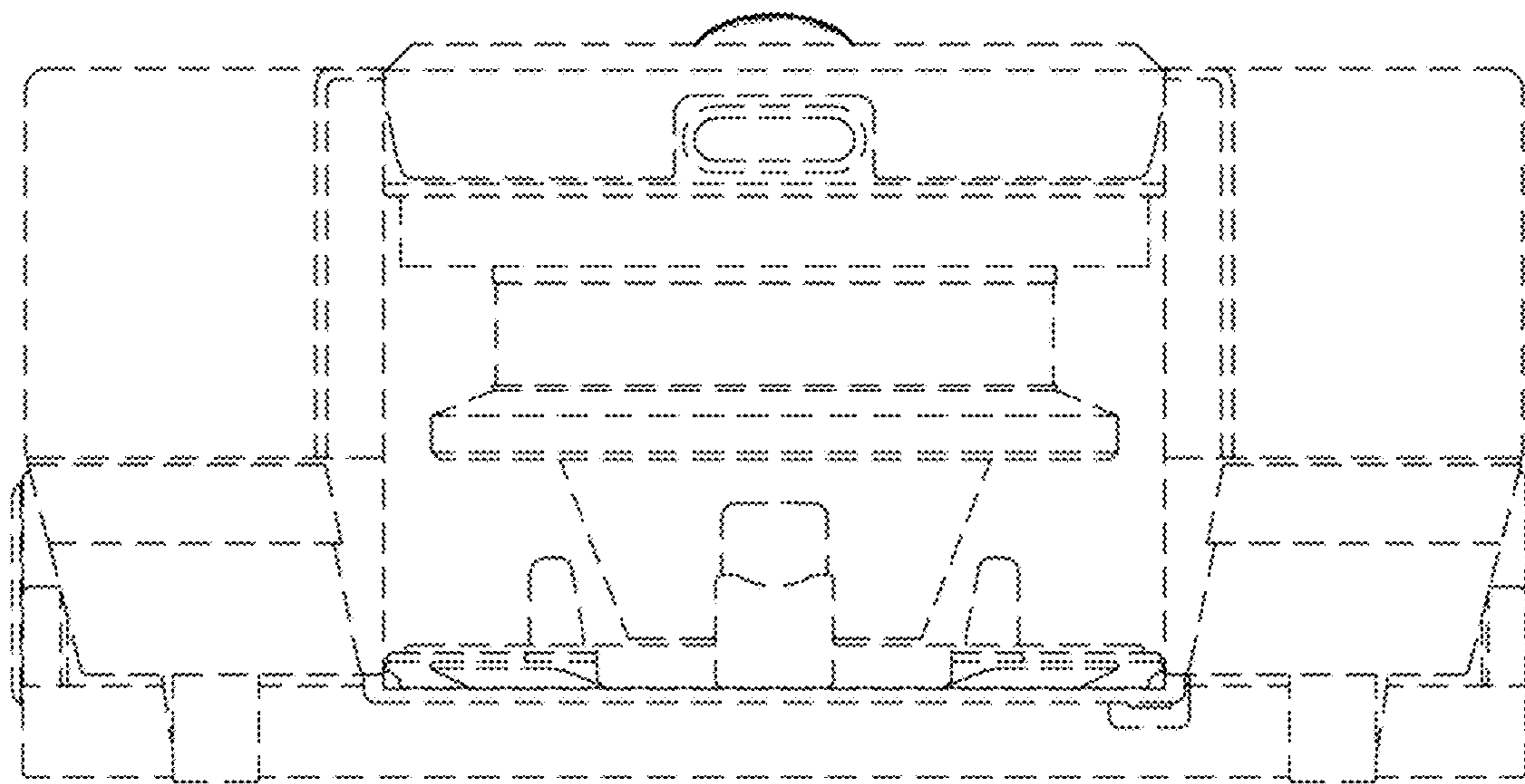
1.1



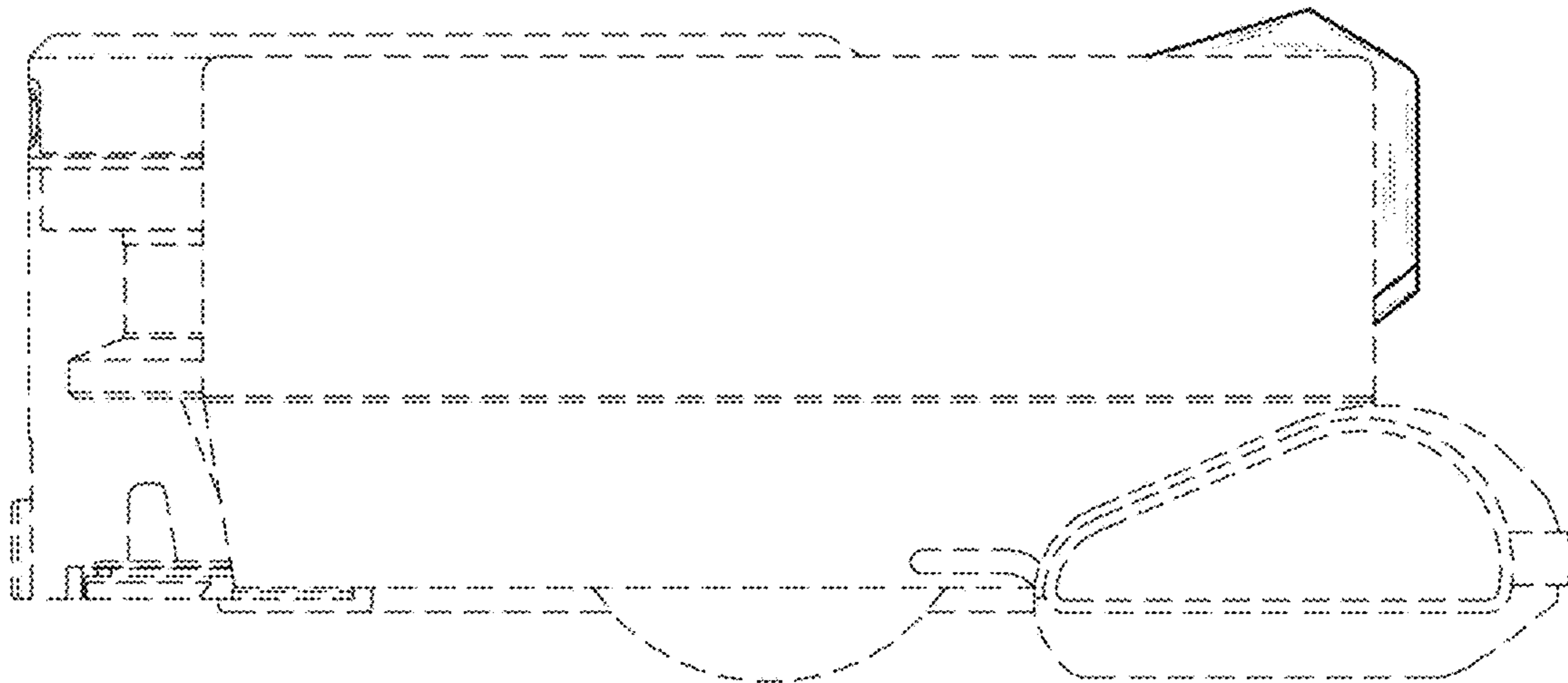
1.2



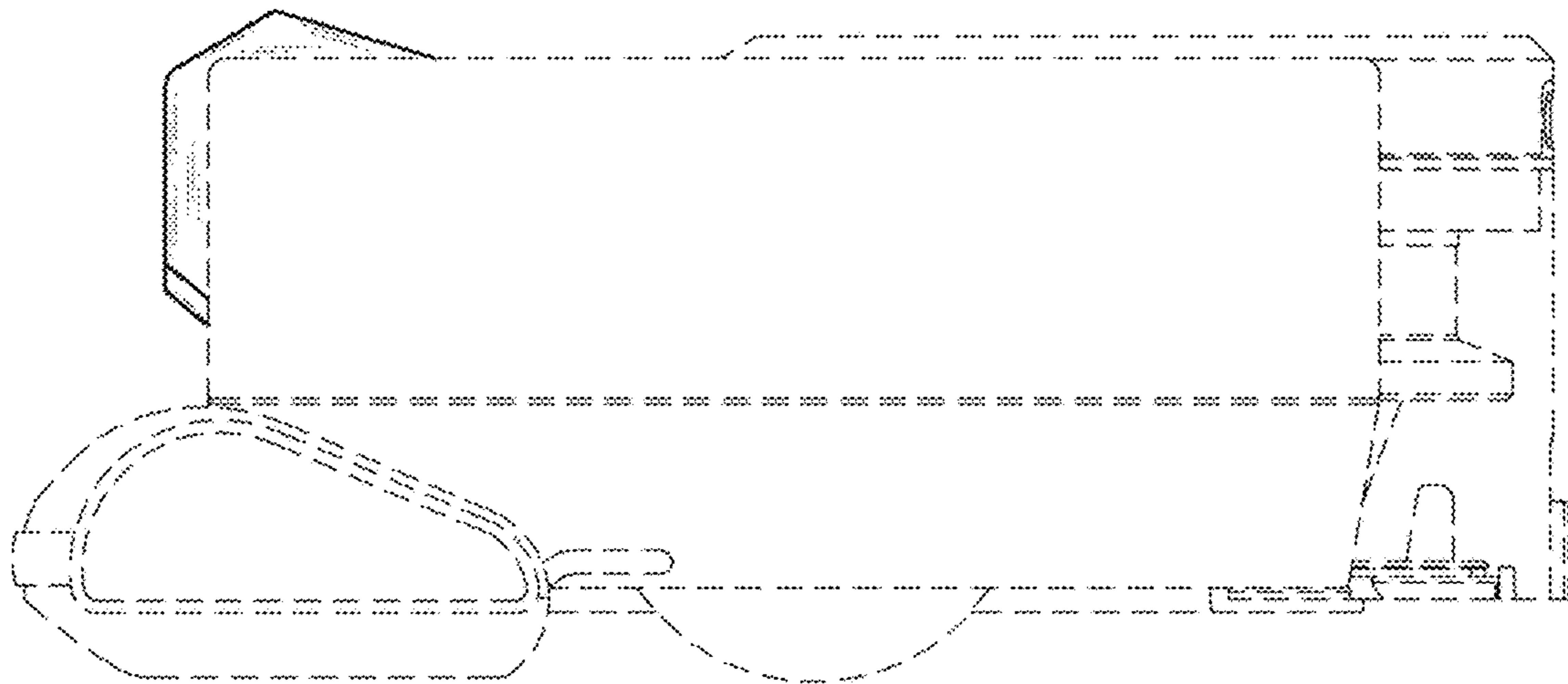
1.3



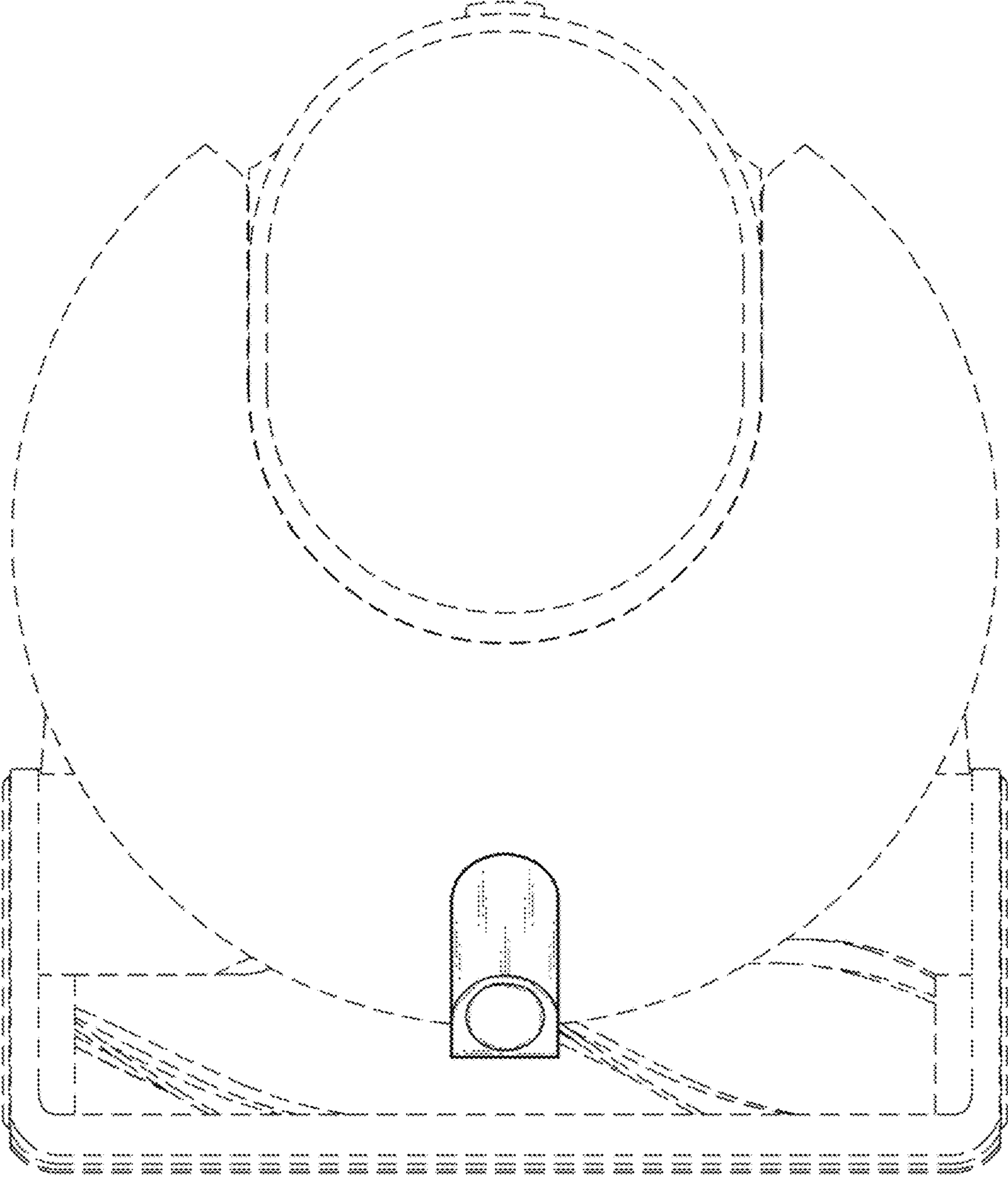
1.4



1.5



1.6



1.7

